



US00D686074S

(12) **United States Design Patent**
Brinckerhoff et al.

(10) **Patent No.:** **US D686,074 S**
(45) **Date of Patent:** **** Jul. 16, 2013**

- (54) **JAR LID**
- (75) Inventors: **Amy Tinnell Brinckerhoff**, Newton, MA (US); **Andrea Stavrinou**, Brighton, MA (US); **Dann Provolo**, Barrington, RI (US)
- (73) Assignee: **Euro-Pro Operating LLC**, Newton, MA (US)
- (**) Term: **14 Years**
- (21) Appl. No.: **29/398,902**
- (22) Filed: **Aug. 5, 2011**
- (51) **LOC (9) Cl.** **09-07**
- (52) **U.S. Cl.**
USPC **D9/447**; D9/443; D9/454
- (58) **Field of Classification Search**
USPC D8/394; D9/455, 454, 447, 443,
D9/435, 434; D7/396.2, 392.1; 220/789,
220/522; 215/360
See application file for complete search history.

6,158,155 A	12/2000	Boney	
6,783,019 B2	8/2004	Zettle et al.	
D513,985 S *	1/2006	Erdie	D9/439
D527,219 S *	8/2006	Trombly	D7/392.1
D535,561 S *	1/2007	Smith et al.	D9/454
7,318,536 B2	1/2008	Maravich et al.	
D562,132 S *	2/2008	LaMasney	D9/443
D581,211 S *	11/2008	Lapsker	D7/396.2
7,594,584 B2	9/2009	Durdon et al.	
7,721,911 B2	5/2010	Chou	
D623,941 S	9/2010	Bendix	
D624,356 S	9/2010	Davies et al.	
D635,855 S	4/2011	Smith et al.	
D642,915 S	8/2011	Swingle et al.	
D654,762 S *	2/2012	Gilbert	D7/510
D658,431 S *	5/2012	Gilbert	D7/392.1

* cited by examiner

Primary Examiner — Susan Bennett Hattan
(74) *Attorney, Agent, or Firm* — Wolf, Greenfield & Sacks, P.C.

(57) **CLAIM**
The ornamental design for a jar lid, as shown and described.

DESCRIPTION

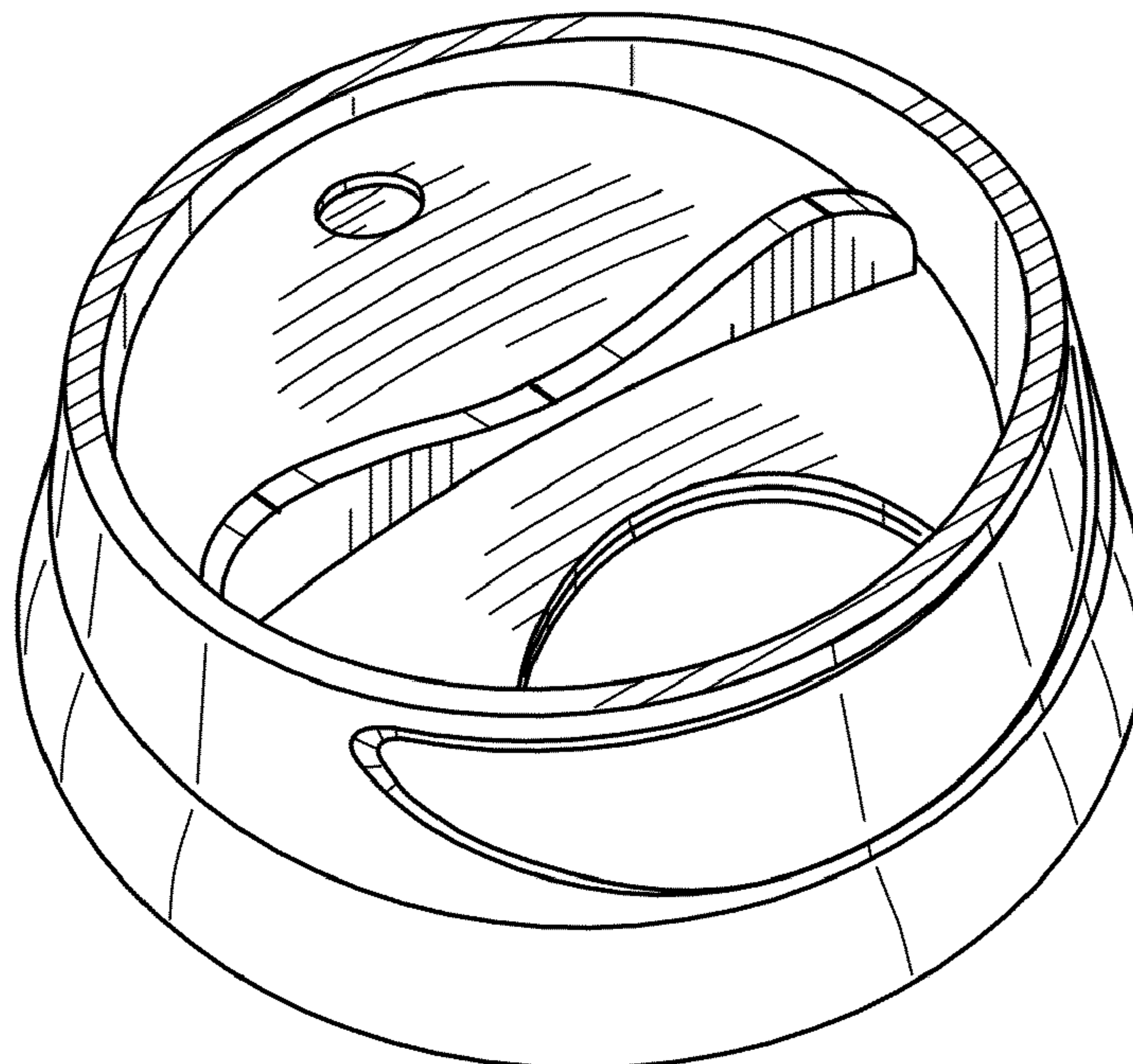
FIG. 1 is a top, front, left side perspective view of the jar lid; FIG. 2 is a front elevational view thereof; FIG. 3 is a rear elevational view thereof; FIG. 4 is a left side elevational view thereof; FIG. 5 is a right side elevational view thereof; FIG. 6 is a top plan view thereof; and, FIG. 7 is a bottom plan view thereof. The details shown in broken lines are for illustrative purposes only and form no part of the claimed design.

1 Claim, 2 Drawing Sheets

(56) **References Cited**

U.S. PATENT DOCUMENTS

2,913,140 A *	11/1959	Vuilleminot	220/210
D228,345 S *	9/1973	Kleinman	D9/439
D254,241 S *	2/1980	Morin	D7/612
D274,983 S	8/1984	Dart et al.	
D276,684 S *	12/1984	Sublett	D7/612
5,072,849 A	12/1991	Blau	
D393,441 S *	4/1998	Lombard	D12/204
5,738,236 A	4/1998	Brun, Jr.	
D394,184 S *	5/1998	Demore	D7/391
D416,436 S *	11/1999	Miller	D7/391



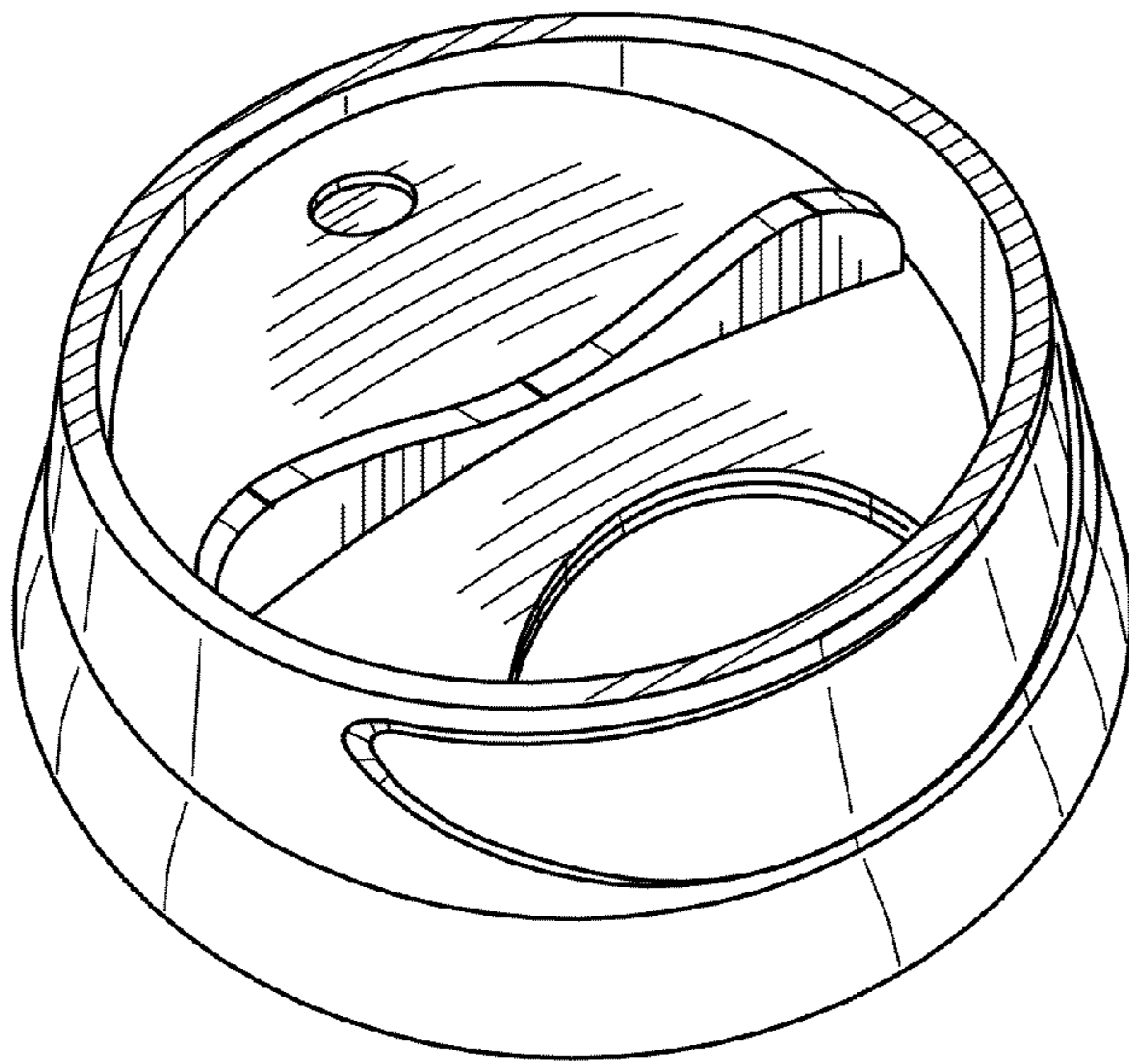


FIG. 1

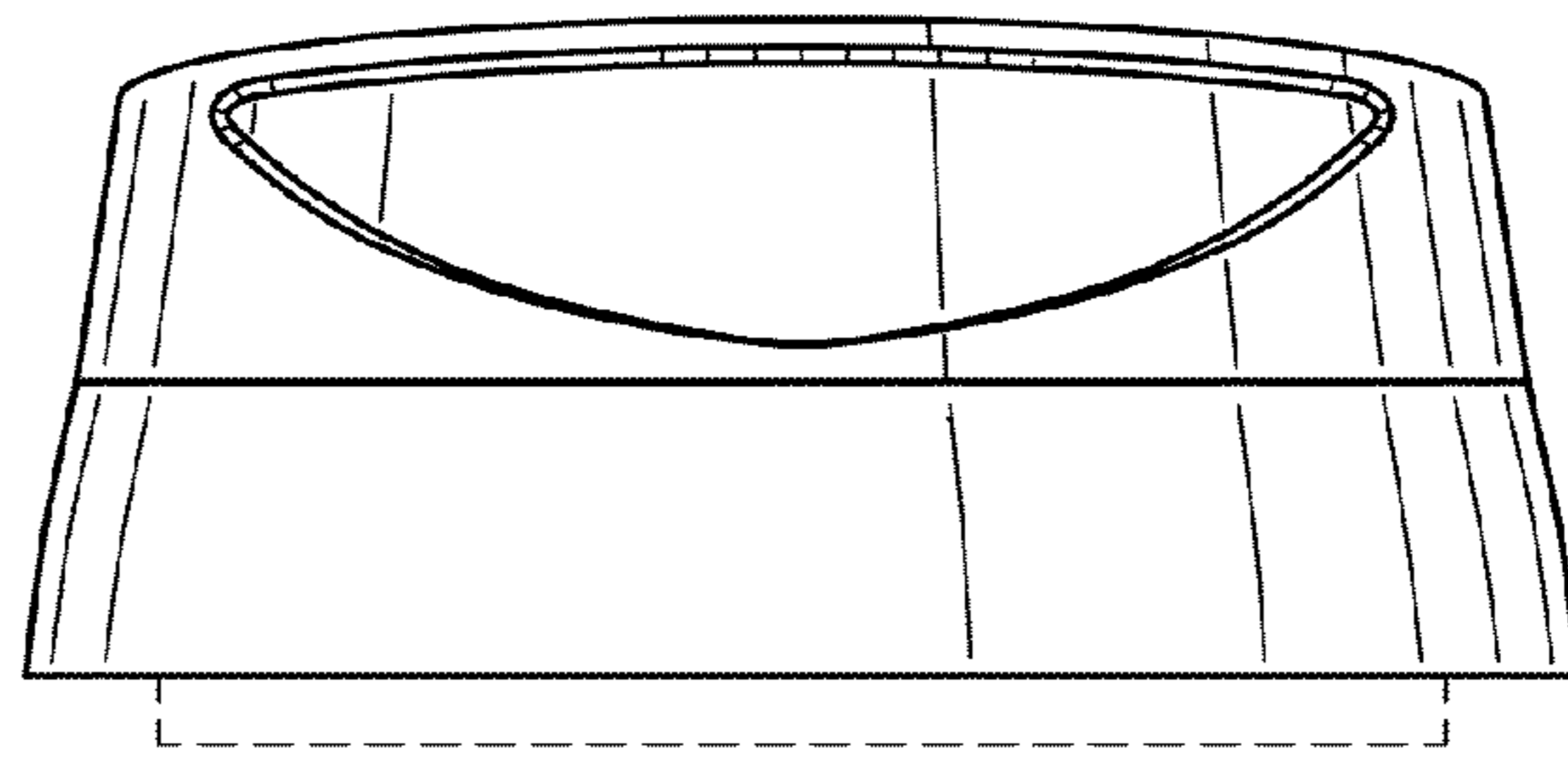


FIG. 2

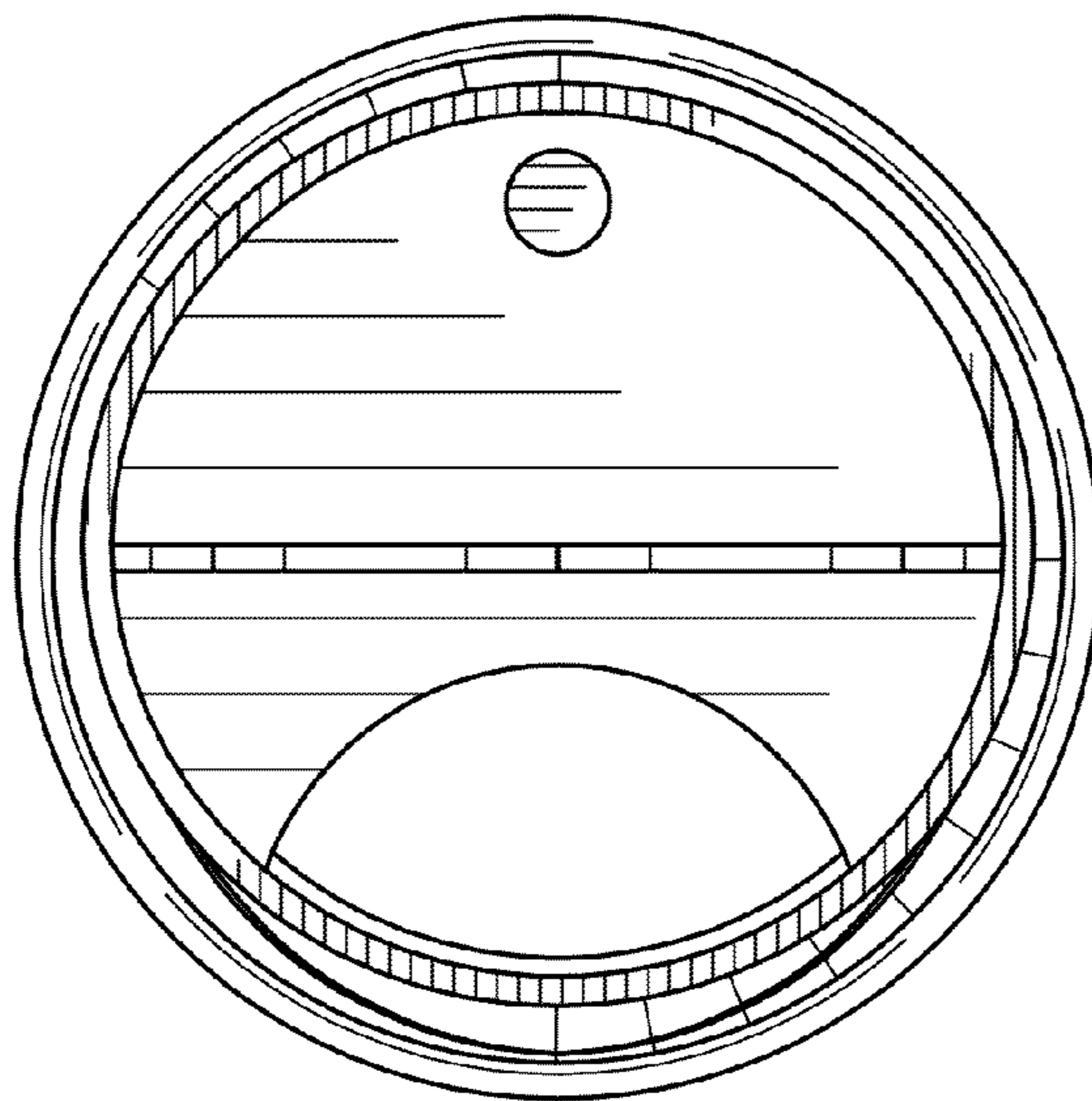


FIG. 6

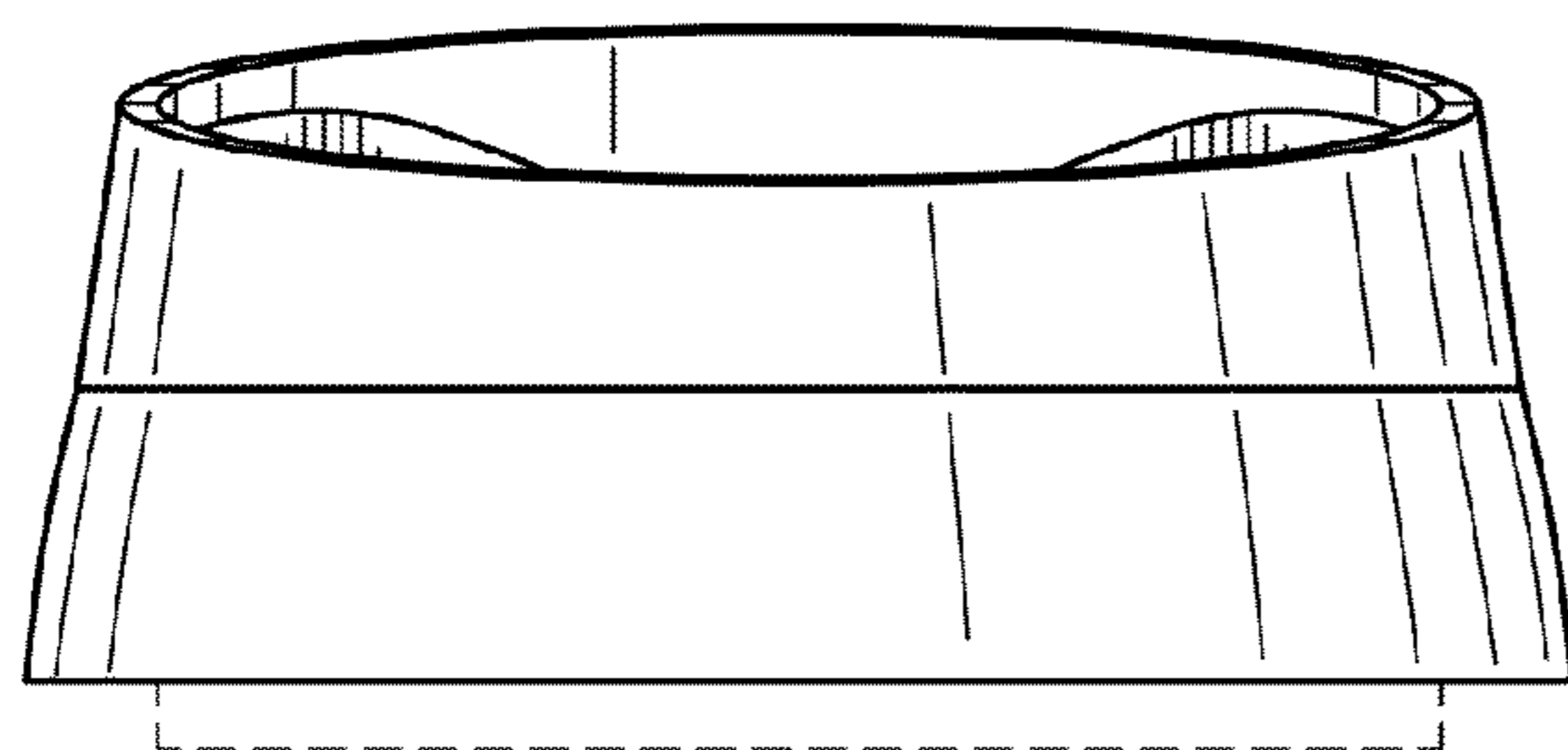


FIG. 3

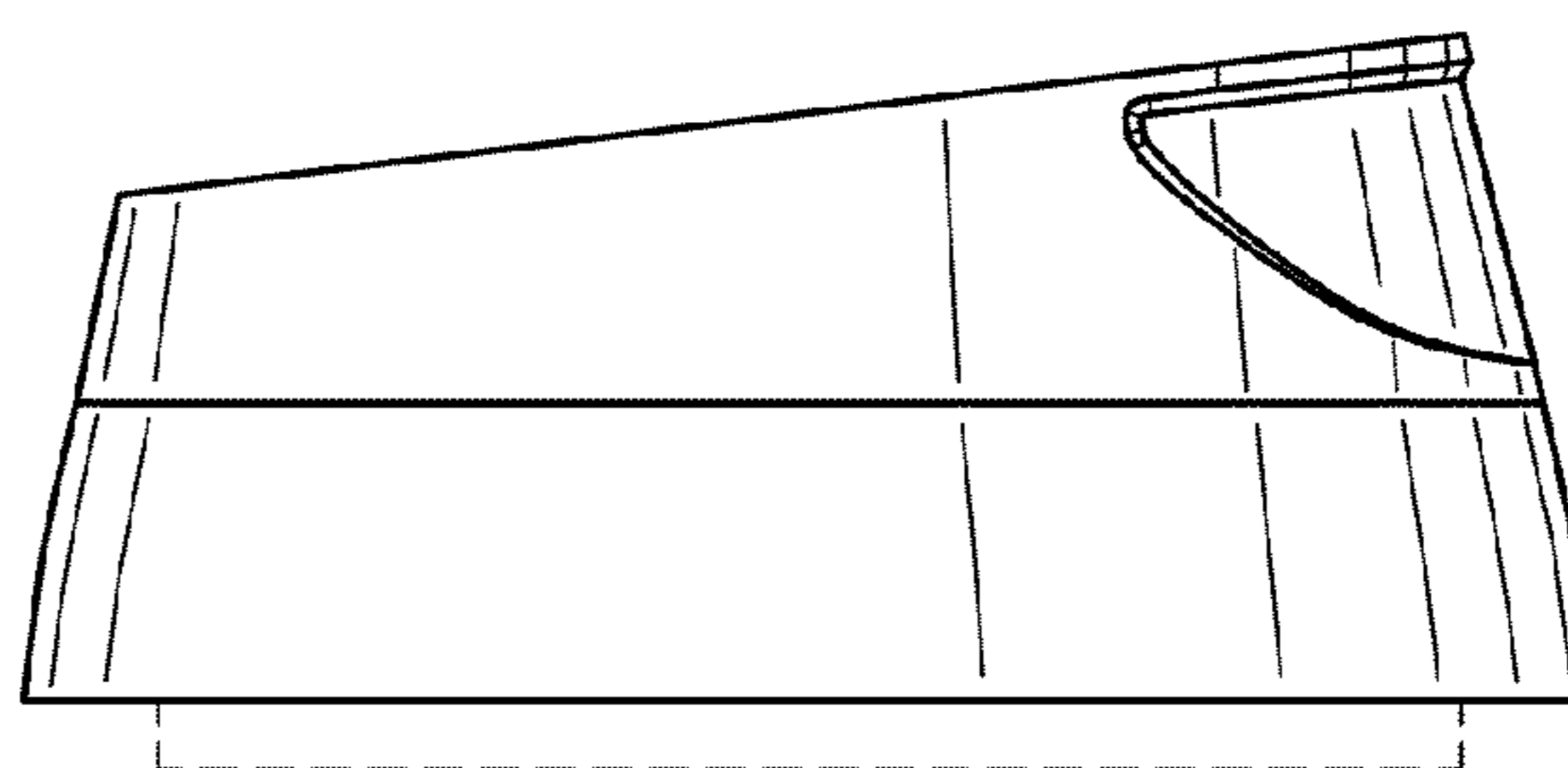


FIG. 4

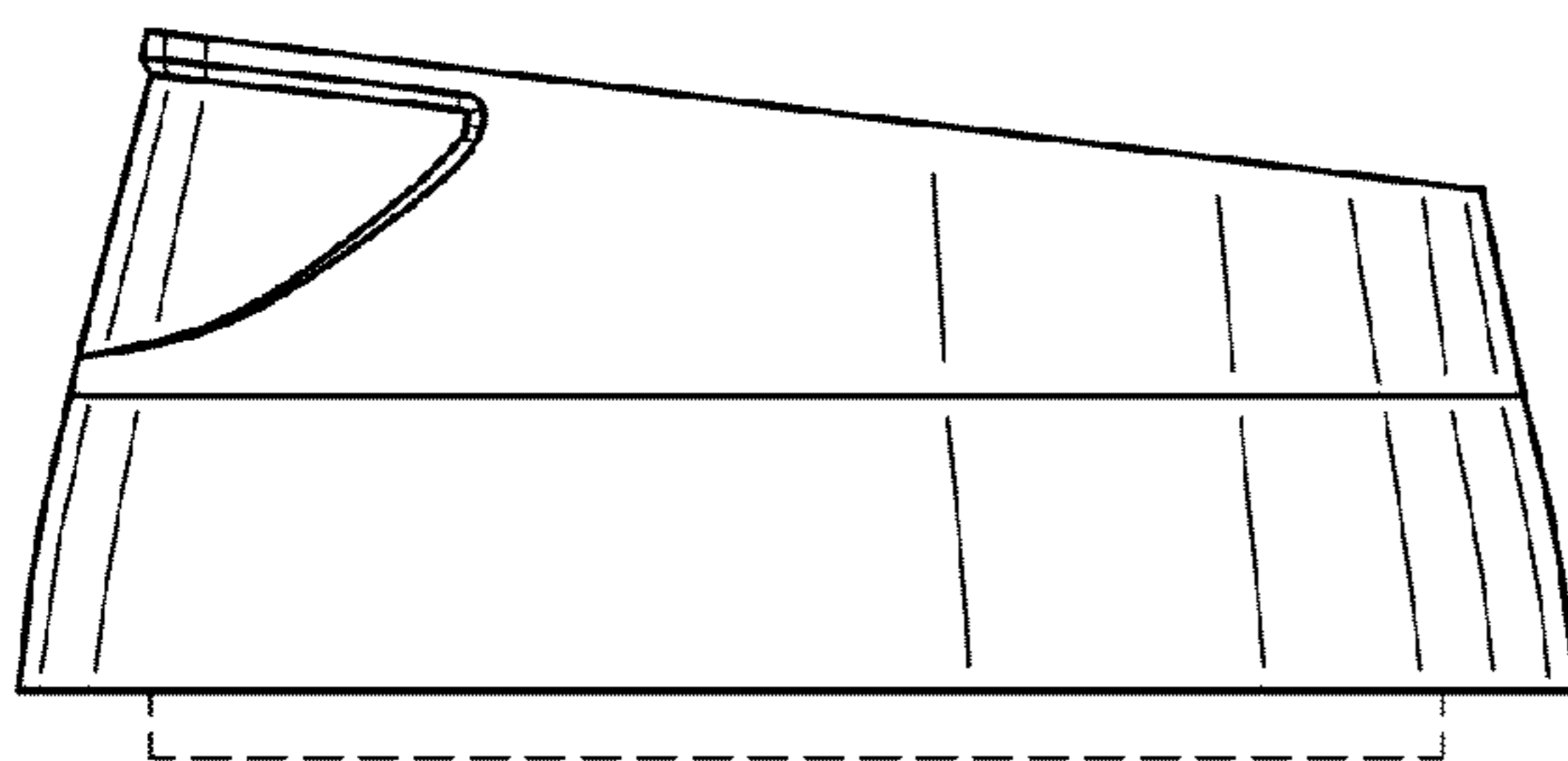


FIG. 5

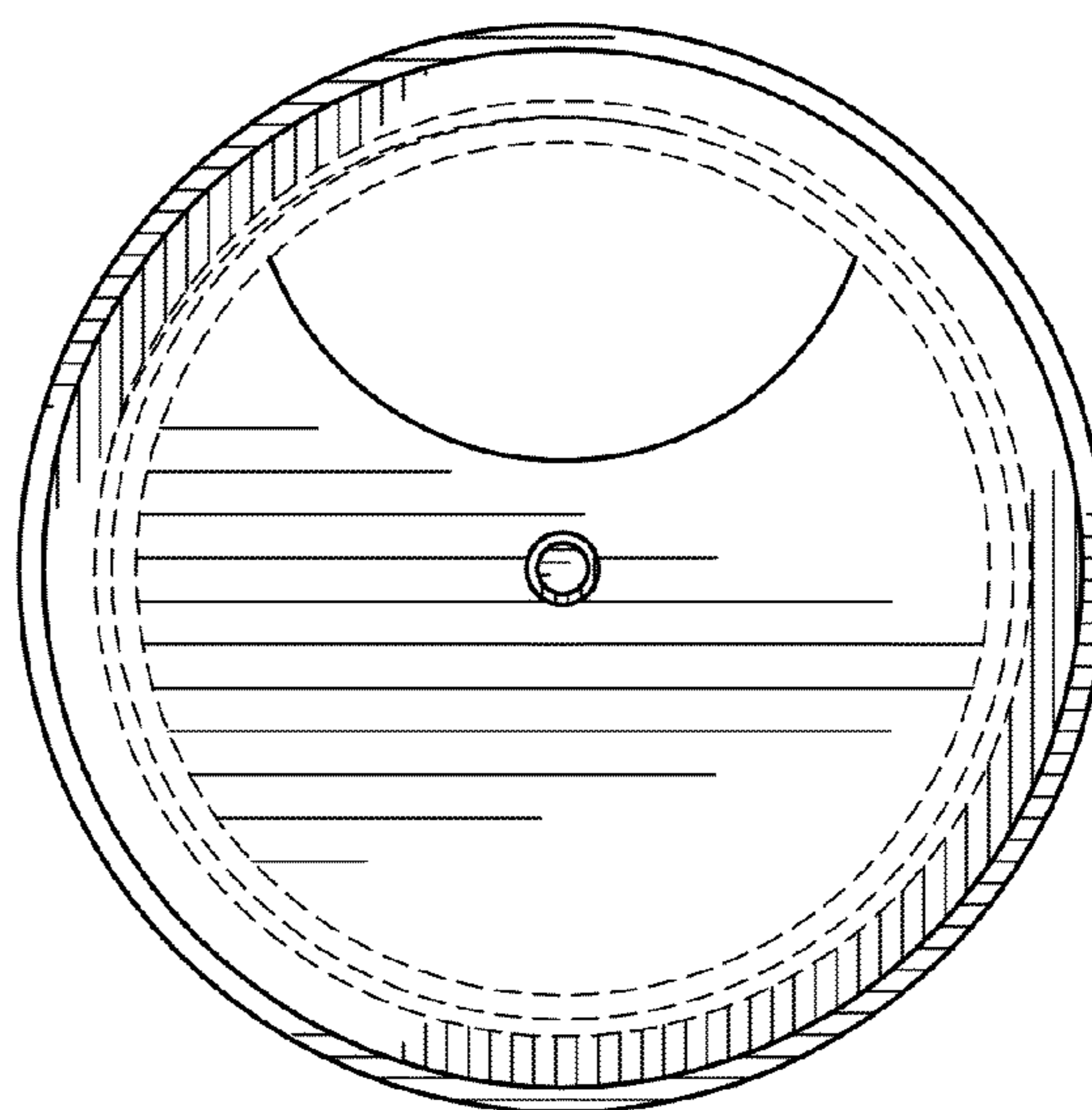


FIG. 7