



US00D686070S

(12) **United States Design Patent**
DiFranza

(10) **Patent No.:** **US D686,070 S**

(45) **Date of Patent:** **** *Jul. 16, 2013**

- (54) **SHAVING PRODUCT PACKAGE**
- (71) Applicant: **Elizabeth Jackson DiFranza**, Arlington, MA (US)
- (72) Inventor: **Elizabeth Jackson DiFranza**, Arlington, MA (US)
- (73) Assignee: **The Gillette Company**, Boston, MA (US)
- (*) Notice: This patent is subject to a terminal disclaimer.
- (**) Term: **14 Years**
- (21) Appl. No.: **29/433,841**
- (22) Filed: **Oct. 5, 2012**
- (51) **LOC (9) Cl.** **09-07**
- (52) **U.S. Cl.**
USPC **D9/434**
- (58) **Field of Classification Search**
USPC D9/748, 713, 702, 652, 600, 457,
D9/434, 433, 414, 415; D20/40, 29, 28, 27,
D20/23, 22, 10; 224/906; 206/784, 525, 525.1,
206/461, 457, 458
See application file for complete search history.

D624,595 S *	9/2010	Langan et al.	D20/27
D633,151 S *	2/2011	Langan et al.	D20/27
D639,673 S	6/2011	Graham		
D639,861 S *	6/2011	Langan et al.	D20/27
D639,862 S *	6/2011	Langan et al.	D20/27
D643,468 S *	8/2011	Langan et al.	D20/27
D643,469 S *	8/2011	Langan et al.	D20/27
D651,509 S *	1/2012	Methe et al.	D9/434
D676,490 S *	2/2013	Bratter et al.	D20/27
D679,333 S *	4/2013	Jabara	D20/27

OTHER PUBLICATIONS

- U.S. Appl. No. 29/433,837, filed Oct. 5, 2012, Elizabeth J. DiFranza.
- U.S. Appl. No. 29/433,838, filed Oct. 5, 2012, Elizabeth J. DiFranza.
- U.S. Appl. No. 29/433,839, filed Oct. 5, 2012, Elizabeth J. DiFranza.
- U.S. Appl. No. 29/433,843, filed Oct. 5, 2012, Elizabeth J. DiFranza.
- U.S. Appl. No. 29/433,847, filed Oct. 5, 2012, Elizabeth J. DiFranza.

* cited by examiner

Primary Examiner — Susan Bennett Hattan

(74) *Attorney, Agent, or Firm* — Kevin C. Johnson; Steven W. Miller

(57) **CLAIM**

The ornamental design of shaving product package, as shown and described.

DESCRIPTION

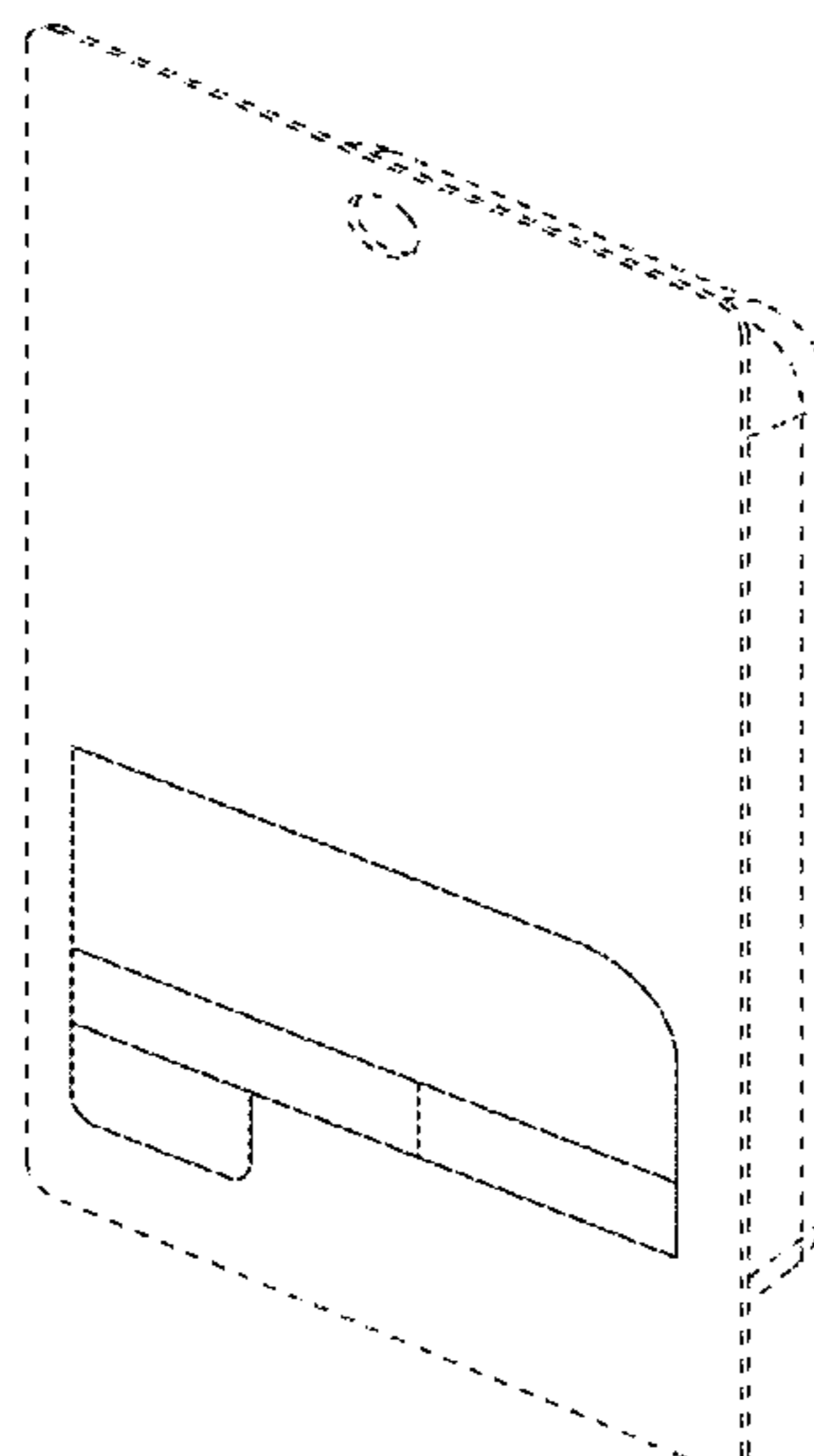
FIG. 1 is a perspective view of shaving product package showing my new design;
 FIG. 2 is a top view thereof;
 FIG. 3 is a bottom view thereof;
 FIG. 4 is a front view thereof;
 FIG. 5 is a rear view thereof;
 FIG. 6 is a left view thereof; and,
 FIG. 7 is a right view thereof.
 The broken line showing of a shaving product package is included for the purpose of illustrating environmental structure and forms no part of the claimed design.

1 Claim, 5 Drawing Sheets

(56) **References Cited**

U.S. PATENT DOCUMENTS

D405,118 S *	2/1999	Murphy et al.	D20/27
D473,264 S *	4/2003	Sanford et al.	D20/27
D500,342 S *	12/2004	Stewart et al.	D20/27
D500,524 S *	1/2005	Stewart et al.	D20/27
D511,547 S *	11/2005	Andersson et al.	D20/43
D582,987 S *	12/2008	Marmier	D20/22
D588,200 S *	3/2009	Langan et al.	D20/27
D607,941 S *	1/2010	Langan et al.	D20/27
D610,920 S	3/2010	Bogdanova et al.		
D621,879 S *	8/2010	Langan et al.	D20/27



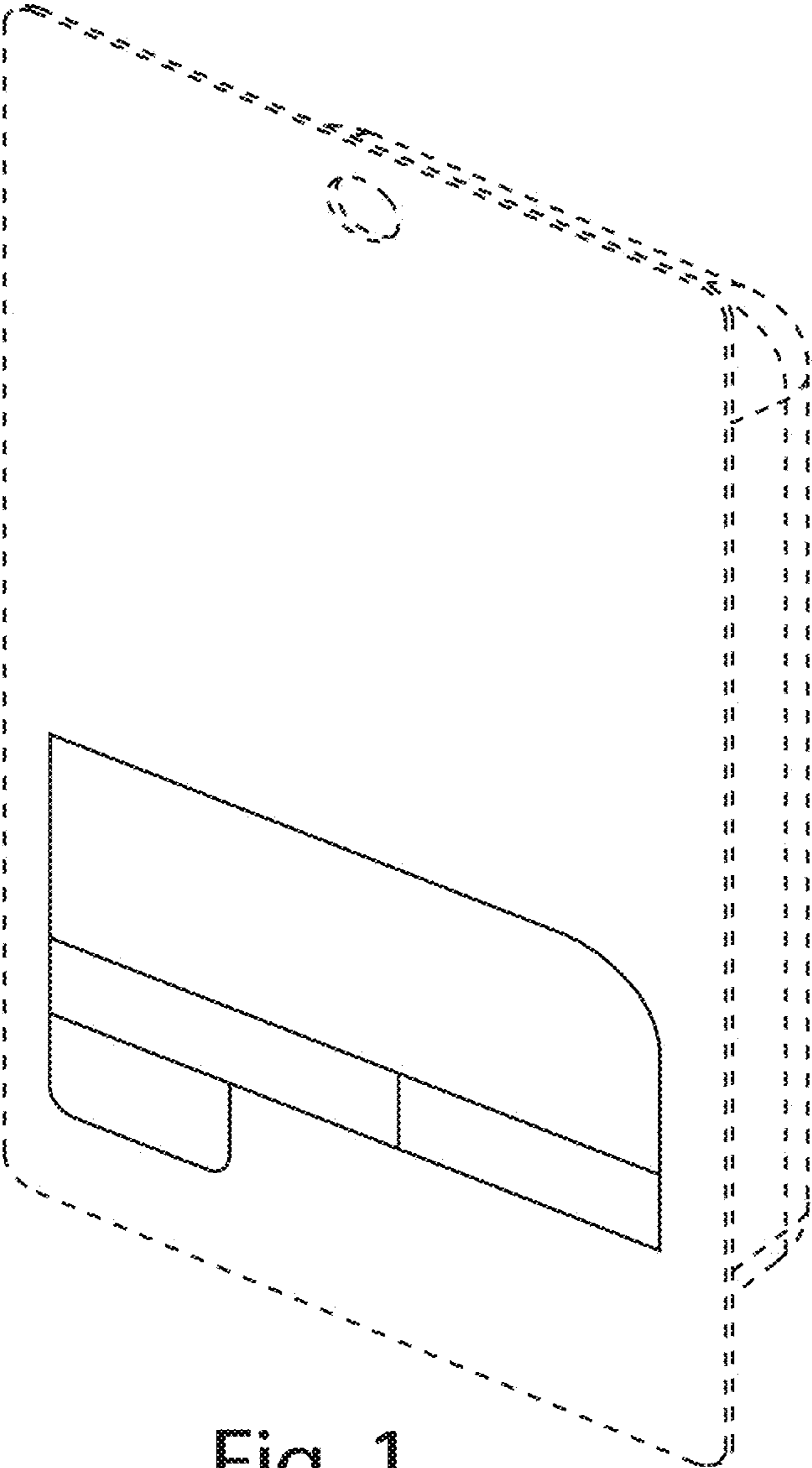


Fig. 1

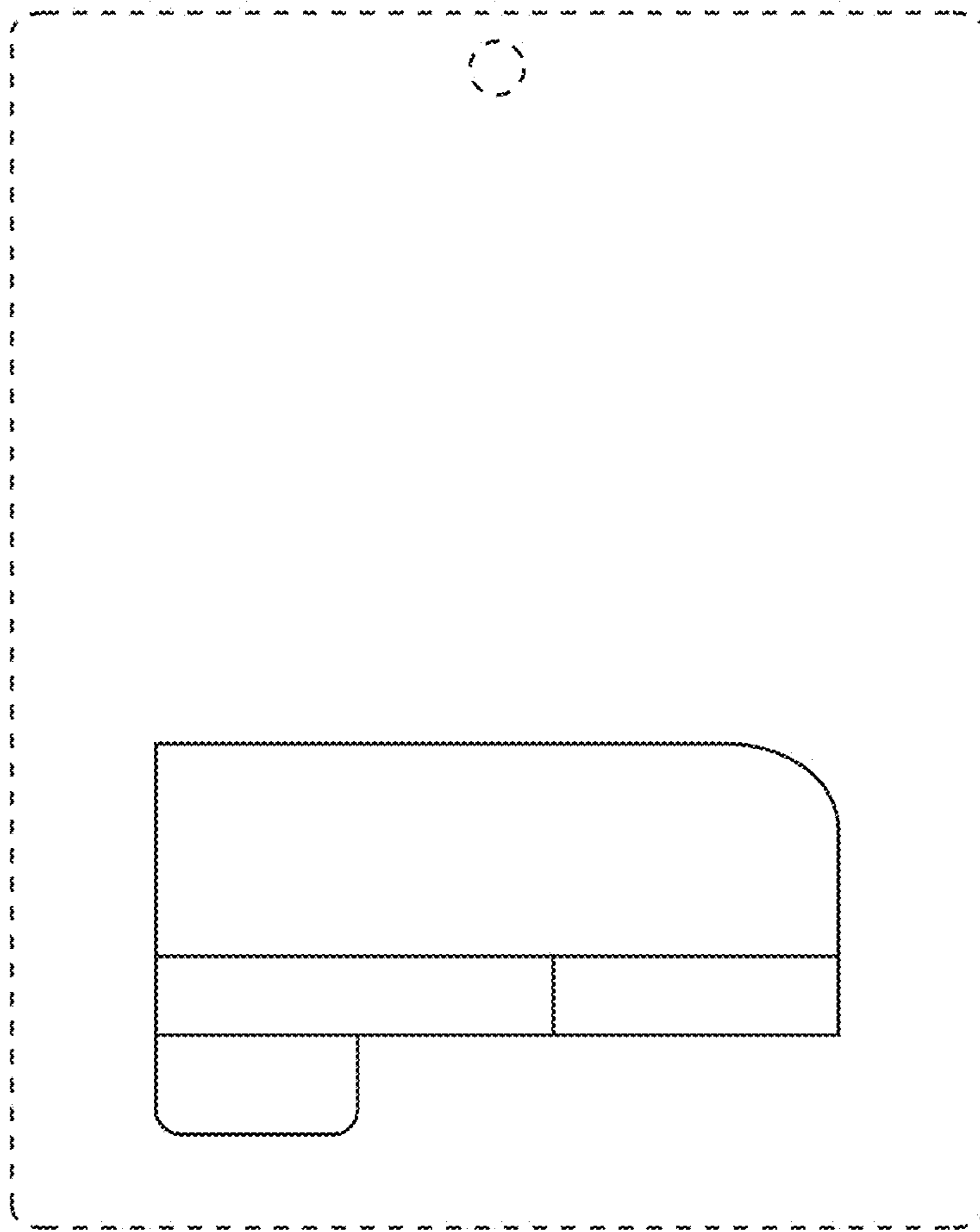


Fig. 2

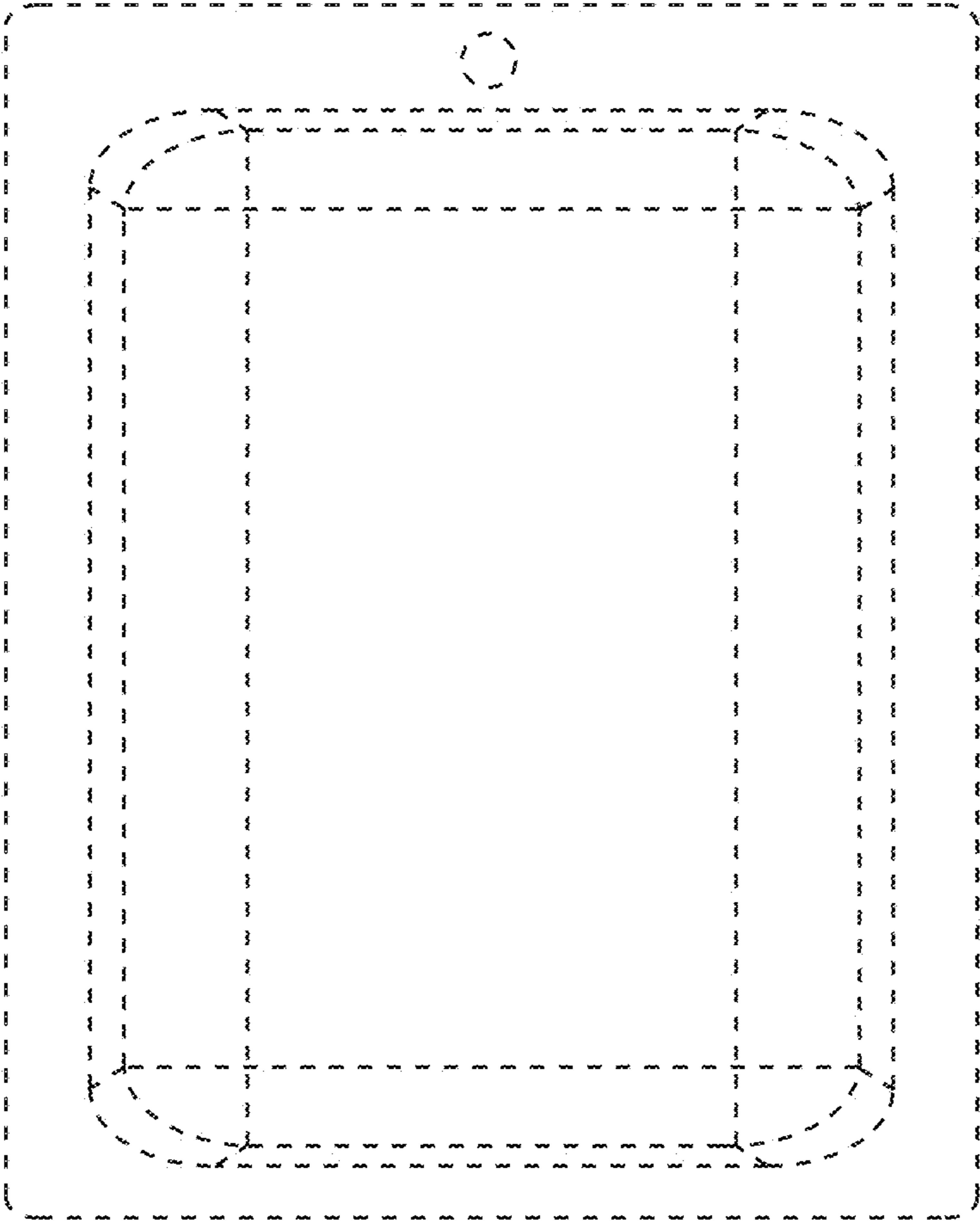


Fig. 3

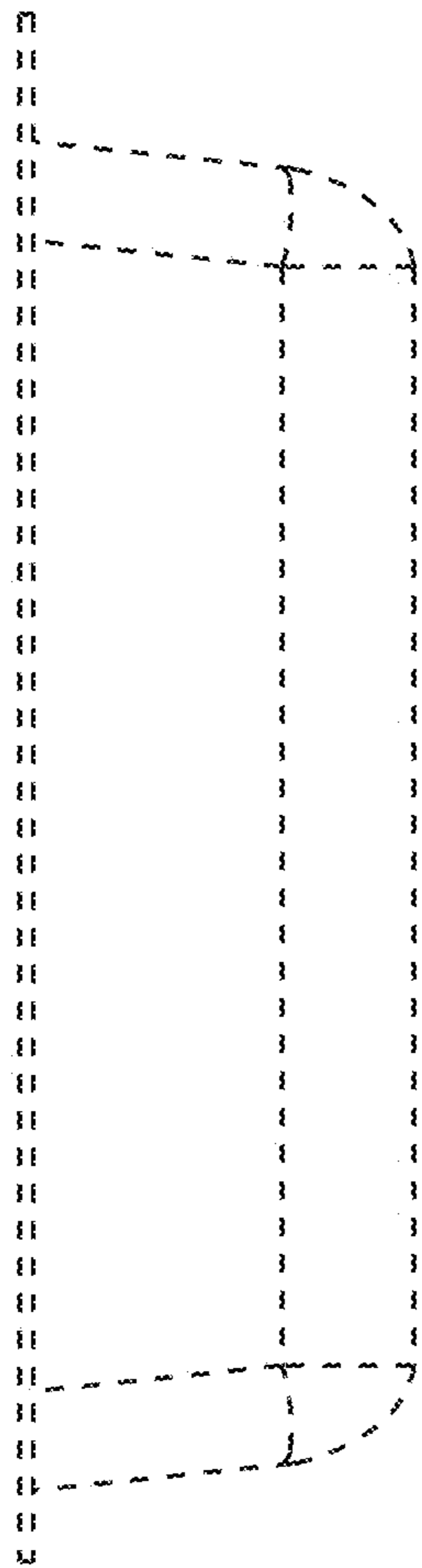


Fig. 4

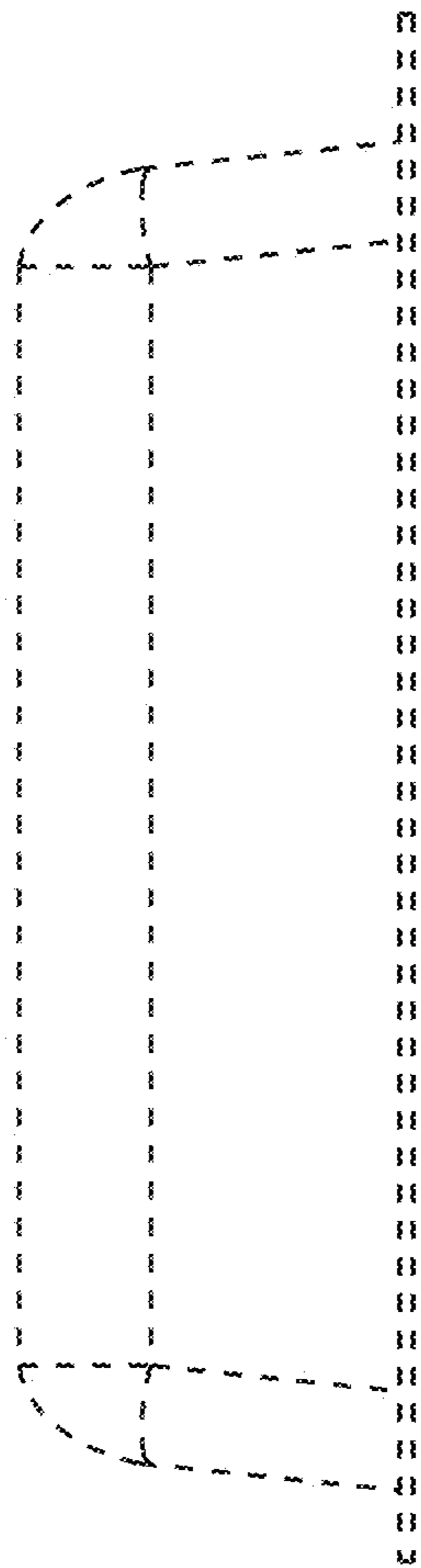


Fig. 5

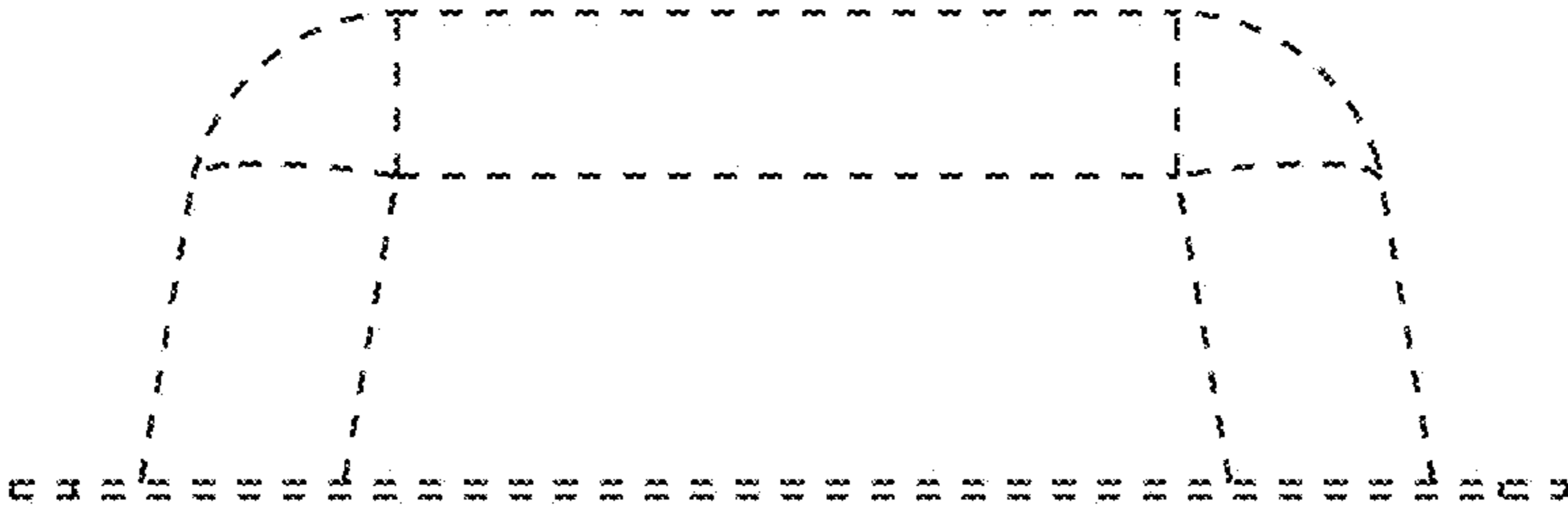


Fig. 6



Fig. 7