



US00D686065S

(12) **United States Design Patent**  
**Kuo et al.**

(10) **Patent No.:** **US D686,065 S**  
(45) **Date of Patent:** **\*\* Jul. 16, 2013**

- (54) **PAPER MOLDED BOX**
- (71) Applicant: **Golden Arrow Printing, Co.,Ltd.**, New Taipei (TW)
- (72) Inventors: **Chien-Kuan Kuo**, New Taipei (TW);  
**Chun-Huang Huang**, New Taipei (TW)
- (73) Assignee: **Golden Arrow Printing, Co., Ltd.**, New Taipei (TW)

(\*\*) Term: **14 Years**

(21) Appl. No.: **29/439,839**

(22) Filed: **Dec. 16, 2012**

(51) **LOC (9) Cl.** ..... **09-03**

(52) **U.S. Cl.**  
USPC ..... **D9/432**

(58) **Field of Classification Search**  
USPC ..... D9/414, 416-418, 420-424, 430-433,  
D9/434-435; D3/202, 302-304, 315; 206/427,  
206/557, 521.15, 736; 229/100, 101, 108,  
229/108.1, 117.09, 200, 215, 125.01, 182.1  
See application file for complete search history.

(56) **References Cited**

**U.S. PATENT DOCUMENTS**

D3,894 S *	3/1870	Jerauld et al.	.....	D9/432
D162,551 S *	3/1951	Levine	.....	D9/424
D336,018 S *	6/1993	Smith et al.	.....	D7/629
D387,982 S *	12/1997	Kaplan	.....	D9/423
D452,148 S *	12/2001	Friedberg	.....	D9/423

D479,016 S *	8/2003	Sgariboldi	.....	D28/78
D482,609 S *	11/2003	Weinstock	.....	D9/414
D531,025 S *	10/2006	Tanner	.....	D9/426
D548,070 S *	8/2007	Swain	.....	D9/432
D572,752 S *	7/2008	Hammad	.....	D19/10
D576,486 S *	9/2008	Koza	.....	D9/432
D577,581 S *	9/2008	Koza	.....	D9/432
D620,953 S *	8/2010	Andre et al.	.....	D14/496
D620,984 S *	8/2010	Rose et al.	.....	D20/27

\* cited by examiner

*Primary Examiner* — Susan Bennett Hattan

*Assistant Examiner* — Vy Koenig

(74) *Attorney, Agent, or Firm* — Chun-Ming Shih; HDLS IPR Services

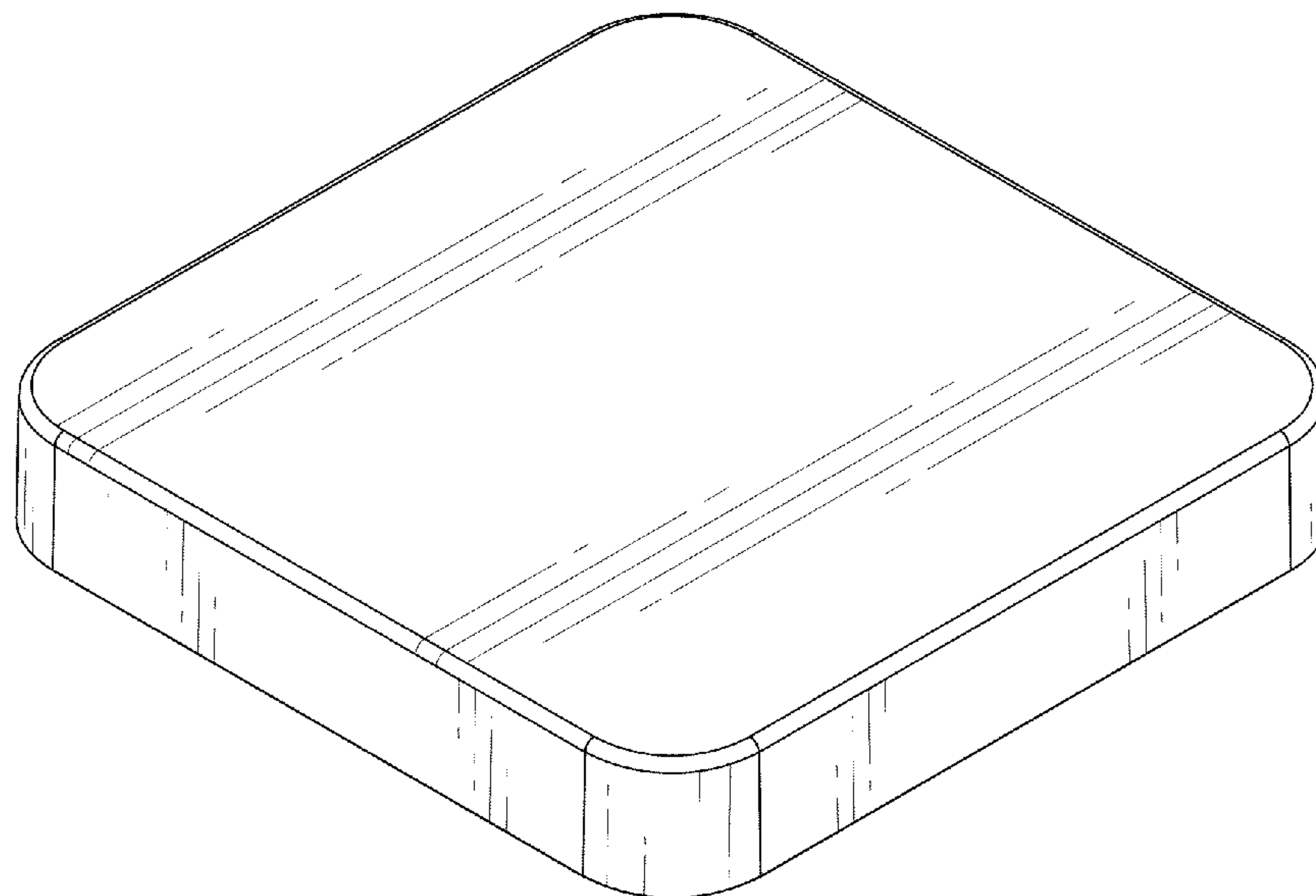
(57) **CLAIM**

The ornamental design for a paper molded box, as shown and described.

**DESCRIPTION**

FIG. 1 is a perspective view of a paper molded box showing my new design;  
 FIG. 2 is a front view thereof;  
 FIG. 3 is a rear view thereof;  
 FIG. 4 is a left side view thereof;  
 FIG. 5 is a right side view thereof;  
 FIG. 6 is a top view thereof;  
 FIG. 7 is a bottom view thereof; and,  
 FIG. 8 is an exploded perspective view thereof.  
 The broken lines shown represent unclaimed subject matter and form no part of the claimed design.

**1 Claim, 6 Drawing Sheets**



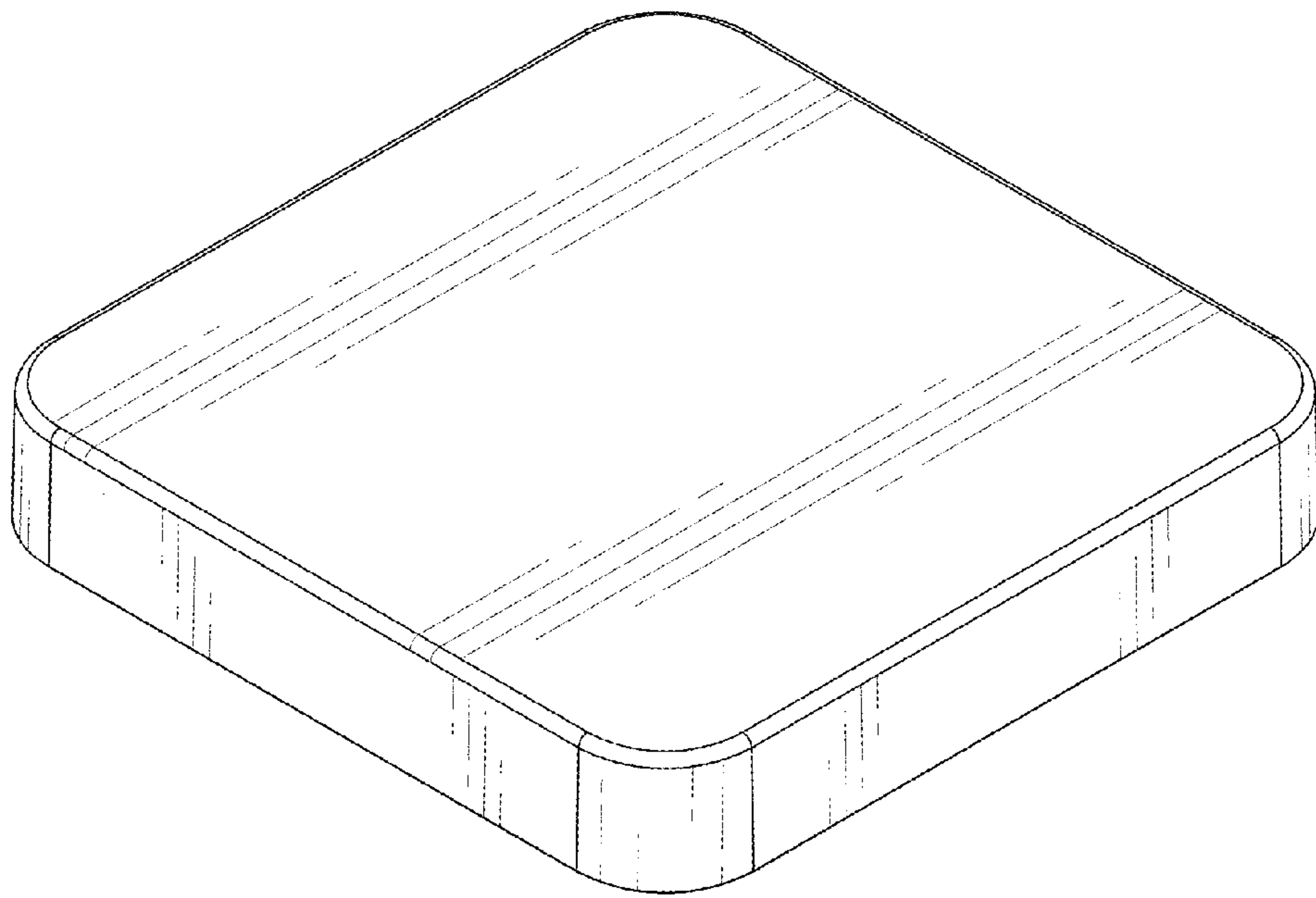


FIG.1

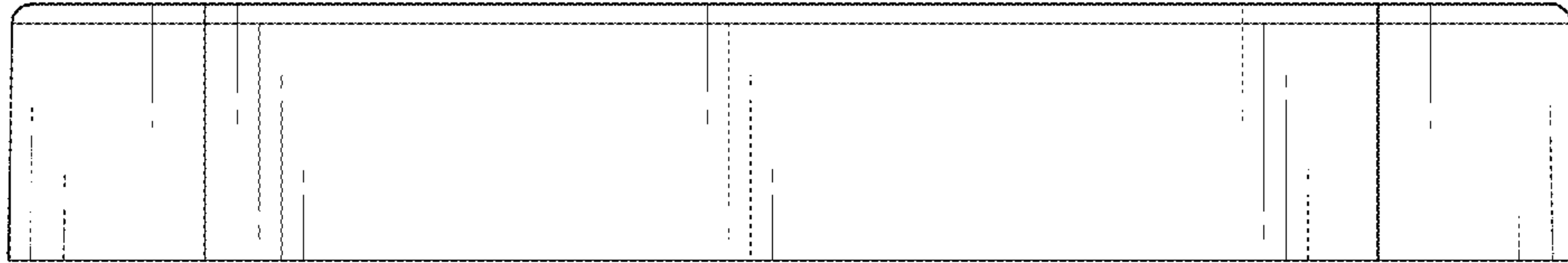


FIG. 2

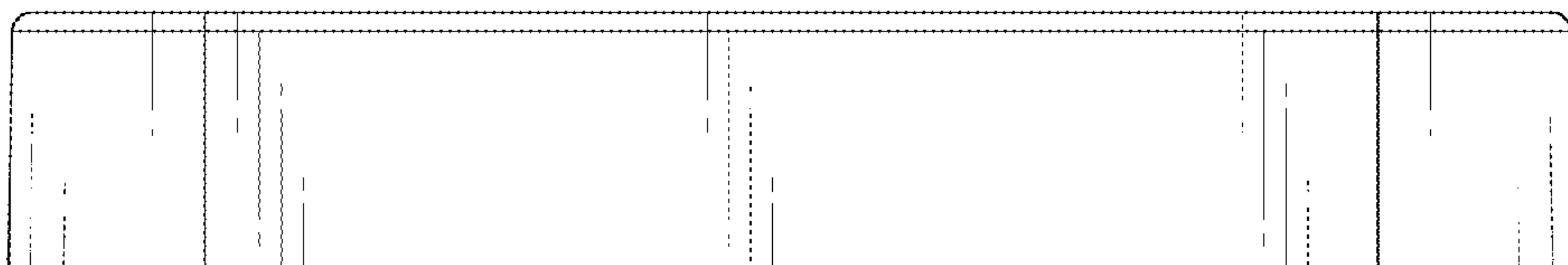


FIG. 3

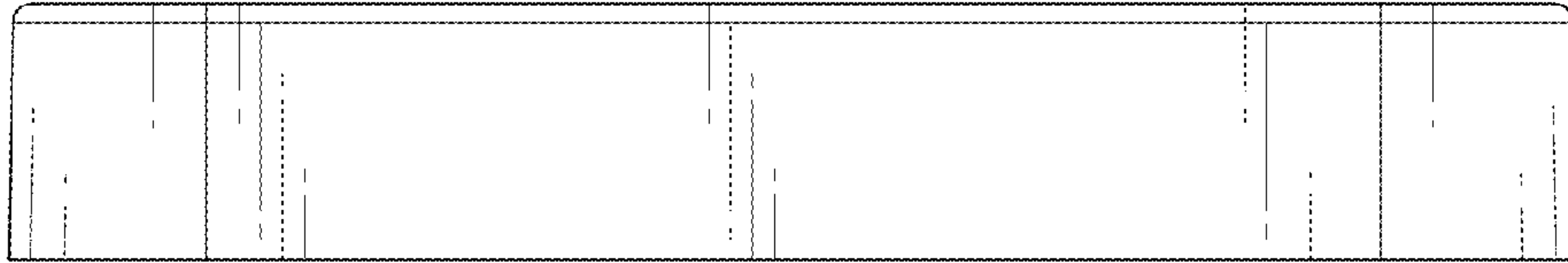


FIG. 4

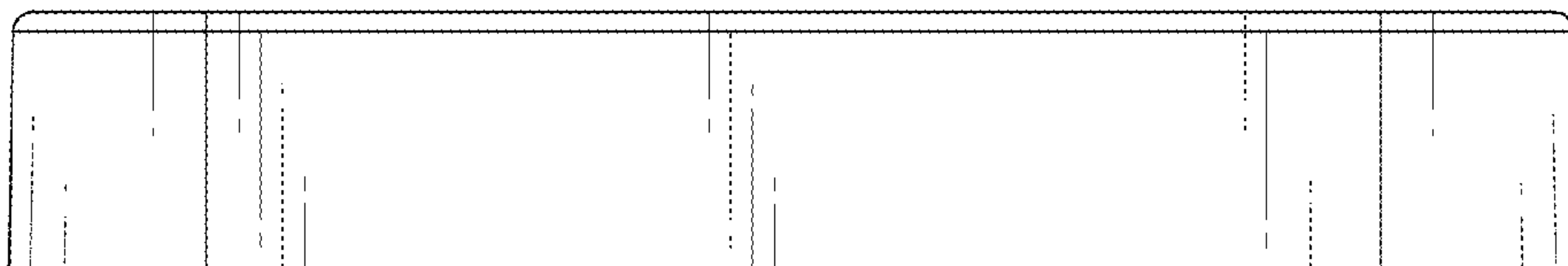


FIG. 5

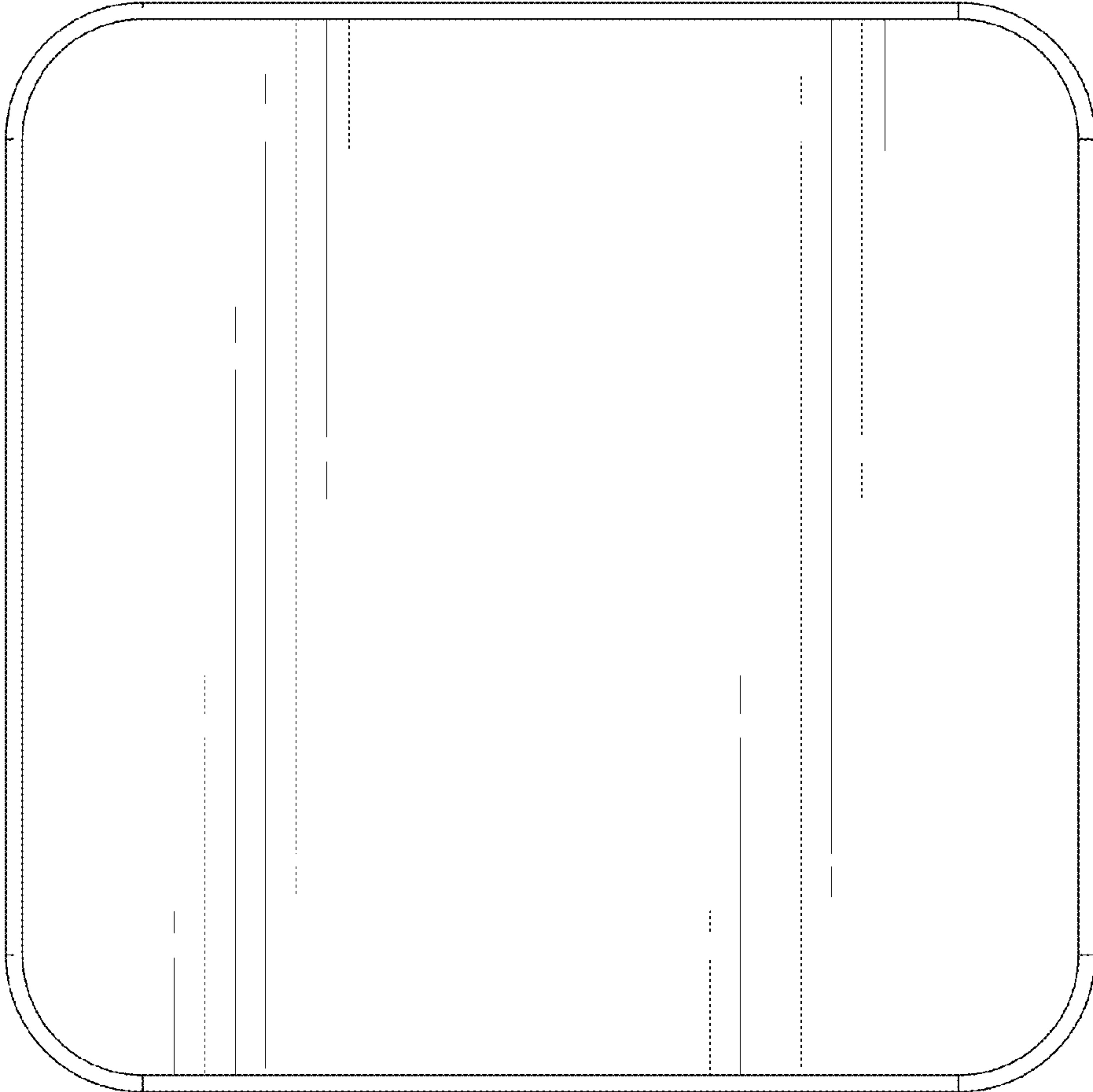


FIG.6

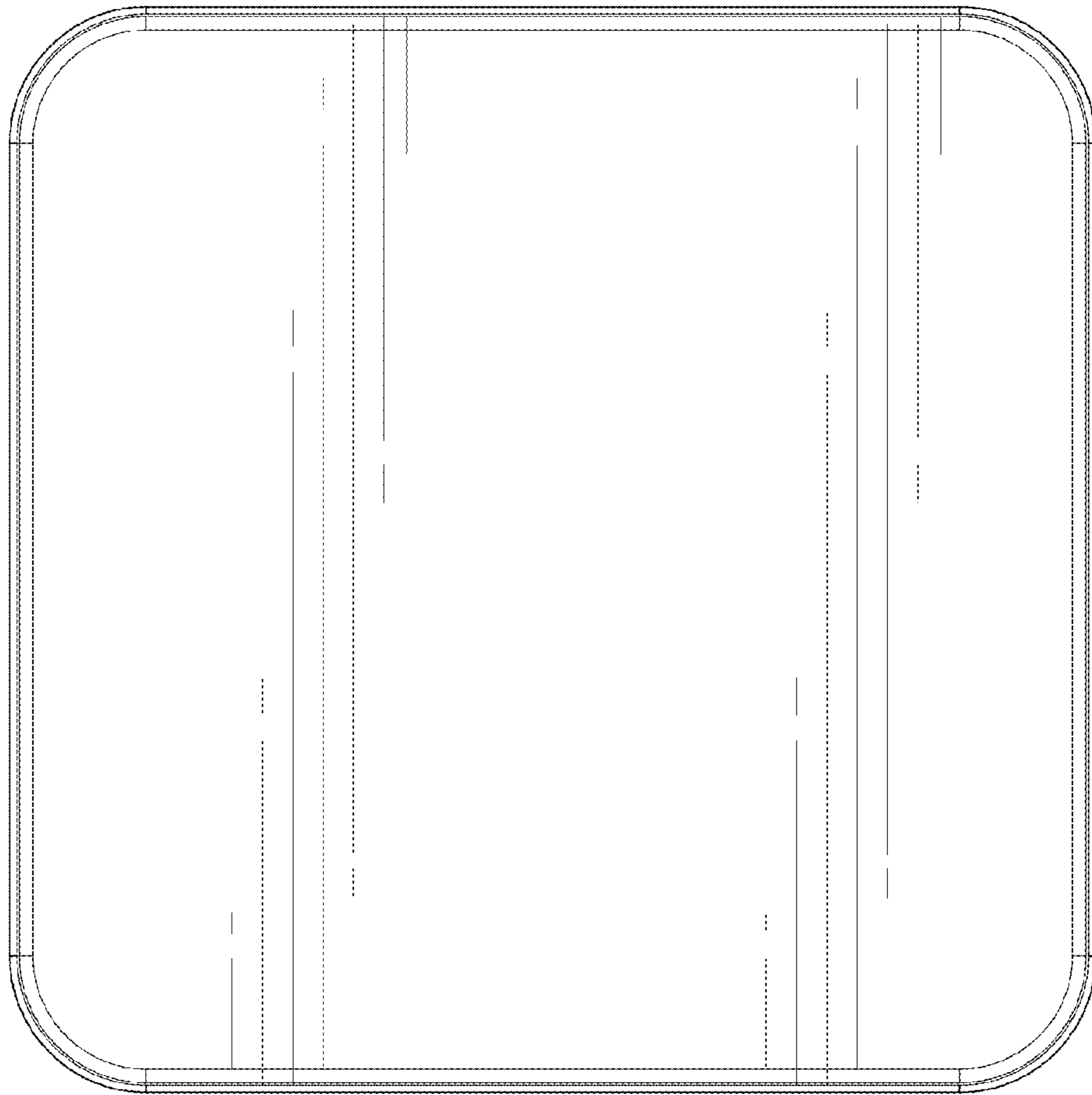


FIG.7

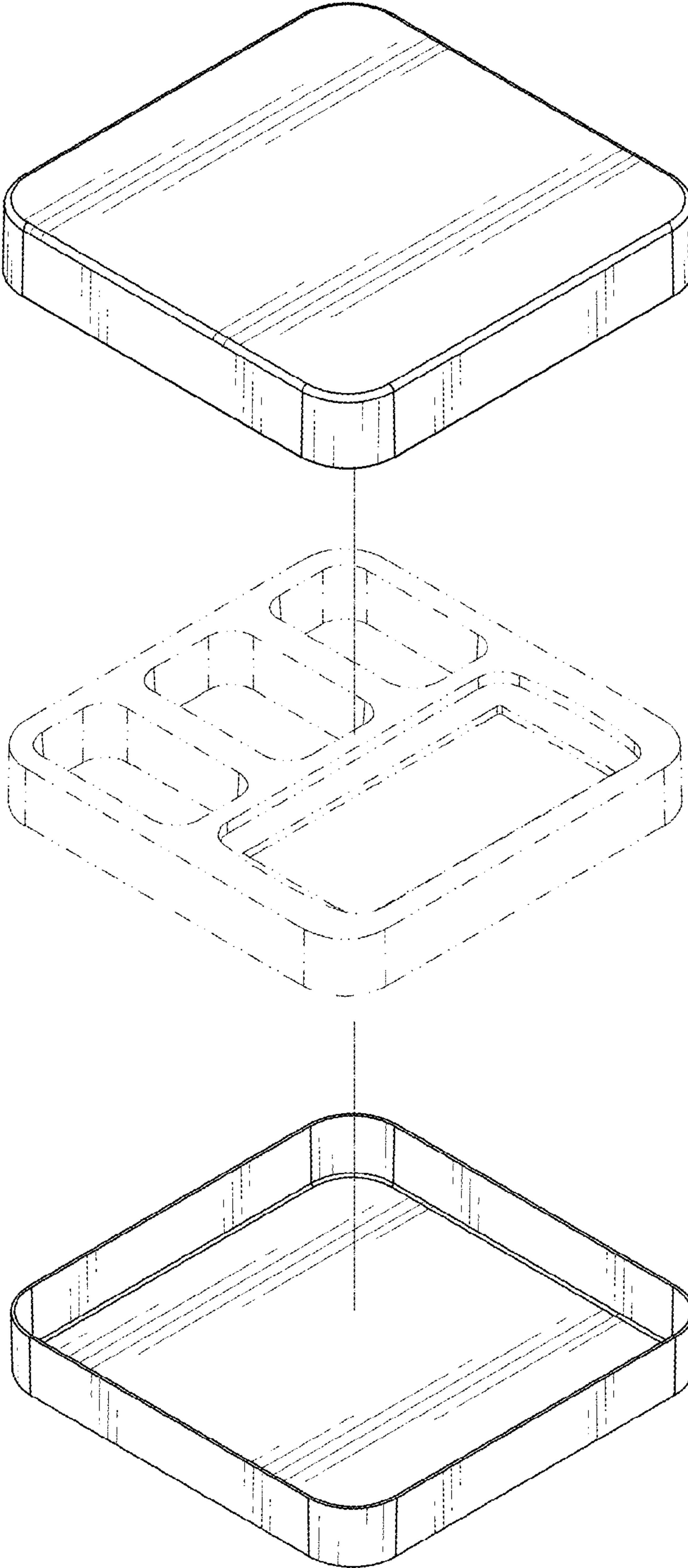


FIG.8