



US00D686061S

(12) **United States Design Patent**  
**Daniel et al.**

(10) **Patent No.:** **US D686,061 S**  
(45) **Date of Patent:** **\*\* Jul. 16, 2013**

- (54) **PULLING EYE**
- (75) Inventors: **Allan Wayne Daniel**, Woodland, AL (US); **Timothy M. Andrea**, Douglasville, GA (US)
- (73) Assignee: **Southwire Company**, Carrollton, GA (US)

- 3,868,436 A 2/1975 Otsuji et al.
- 3,989,400 A 11/1976 Smith et al.
- 4,002,817 A 1/1977 DeGrado
- 4,101,114 A 7/1978 Martin et al.
- 4,183,692 A 1/1980 Durr
- 4,337,923 A 7/1982 Smith
- 4,411,409 A 10/1983 Smith
- 4,419,534 A 12/1983 Dwyer

(Continued)

- (\*\*) Term: **14 Years**
- (21) Appl. No.: **29/384,954**
- (22) Filed: **Feb. 7, 2011**

**OTHER PUBLICATIONS**

User Guide, "Reusable Power Eye" by Condux International, Inc., Literature Part No. 08917089, Revision No. 2.5, Copyright 2008; 2 pages. Accessed from <http://www.condux.com>.

(Continued)

**Related U.S. Application Data**

- (60) Continuation of application No. 29/368,014, filed on Aug. 17, 2010, now Pat. No. Des. 632,165, which is a division of application No. 29/340,662, filed on Jul. 23, 2009, now Pat. No. Des. 630,501.

*Primary Examiner* — Sheryl Lane

(74) *Attorney, Agent, or Firm* — Hartman & Citrin LLC

- (51) **LOC (9) Cl.** ..... **08-08**
- (52) **U.S. Cl.**  
USPC ..... **D8/382**

(57) **CLAIM**

The ornamental design for a pulling eye, as shown and described.

- (58) **Field of Classification Search**  
USPC ..... D8/383, 367, 356, 349, 382; 24/115 A, 24/122.6; 254/134.3 R; 403/275, 379.5, 165, 403/2
- See application file for complete search history.

**DESCRIPTION**

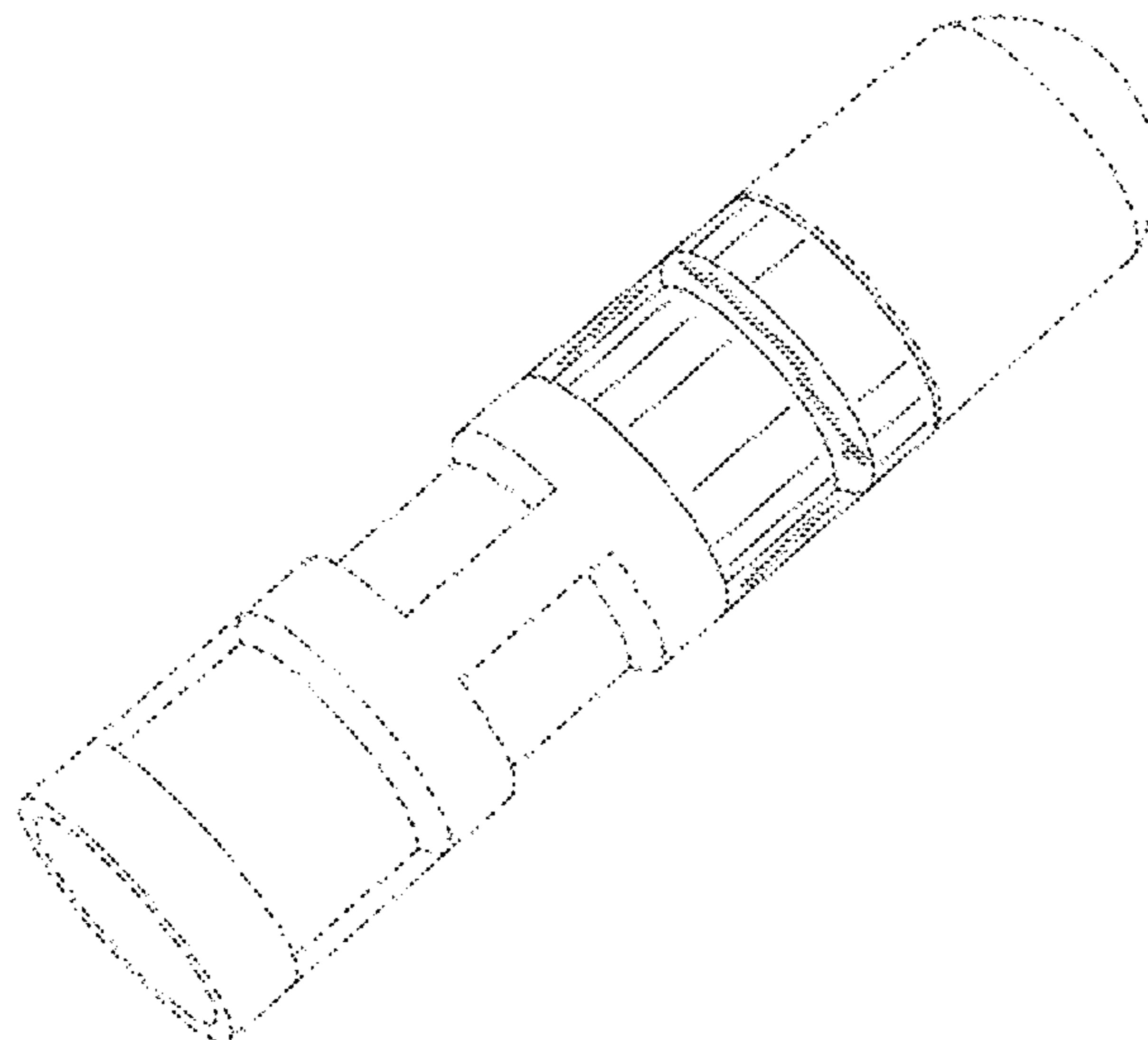
FIG. 1 is a perspective view of a pulling eye; FIG. 2 is a right side view of the pulling eye; FIG. 3 is a top view of the pulling eye; FIG. 4 is a front view of the pulling eye; FIG. 5 is a rear view of the pulling eye; FIG. 6 is an exploded view of the pulling eye showing a first alternative for connecting the head portion of the pulling eye to a barrel portion of the pulling eye; and, FIG. 7 is an exploded view of the pulling eye showing a second alternative for connecting the head portion of the pulling eye to the barrel portion of the pulling eye. The broken line showing of the pulling eye is included for the purpose of illustrating portions of the article and forms no part of the claimed invention.

(56) **References Cited**

**U.S. PATENT DOCUMENTS**

- 633,067 A 9/1899 Brien
- 2,007,411 A 7/1935 Karel
- 2,007,441 A 7/1935 Candy, Jr.
- 2,339,671 A 8/1943 Bergman
- 2,498,834 A 2/1950 Bennet et al.
- 2,615,074 A 10/1952 Bronovicki
- 3,116,810 A 1/1964 Ensley
- 3,258,031 A 6/1966 French
- 3,668,175 A 6/1972 Sattler
- 3,852,875 A 12/1974 McAmis et al.

**1 Claim, 5 Drawing Sheets**



U.S. PATENT DOCUMENTS

4,432,663	A	2/1984	Lasak et al.	
4,460,159	A	7/1984	Charlebois et al.	
4,565,351	A	1/1986	Conti et al.	
4,609,180	A	9/1986	Fisher et al.	
4,635,989	A	1/1987	Tremblay et al.	
4,684,161	A	8/1987	Egner et al.	
4,691,988	A	9/1987	Tremblay et al.	
5,013,125	A	5/1991	Nilsson et al.	
5,039,196	A	8/1991	Nilsson	
5,067,843	A	11/1991	Nova	
5,122,007	A	6/1992	Smith	
5,197,715	A	3/1993	Griffioen	
D346,734	S	5/1994	Rohr	
5,595,355	A	1/1997	Haines	
6,883,782	B2	4/2005	Ames et al.	
7,128,306	B2	10/2006	Ames et al.	
7,182,306	B2	2/2007	Tsutsumida et al.	
7,246,789	B2	7/2007	Ames et al.	
7,411,129	B2	8/2008	Kummer et al.	
7,478,794	B1	1/2009	Gohlke et al.	
7,557,301	B2	7/2009	Kummer et al.	
D604,594	S	11/2009	Lin	
D605,499	S	12/2009	Gaudron	
7,749,024	B2	7/2010	Chambers et al.	
D630,501	S *	1/2011	Daniel et al. ....	D8/382
D632,165	S *	2/2011	Daniel et al. ....	D8/382
D635,450	S *	4/2011	Deese .....	D8/382
7,934,697	B2	5/2011	Gohlke et al.	
8,043,119	B2	10/2011	Chambers et al.	
2004/0041136	A1	3/2004	Ames et al.	
2009/0070966	A1	3/2009	Gohlke et al.	
2009/0211780	A1	8/2009	Auphand et al.	
2010/0176357	A1	7/2010	Wen	
2010/0236045	A1	9/2010	Galindo et al.	
2011/0133141	A1	6/2011	Carlson	

OTHER PUBLICATIONS

Installation Guide, "Crimp-On Pulling Eyes" by Condux International, Inc., Literature Part No. 08920097, Revision No. 2.00, Copyright 1998, 16 pages. Accessed from <http://www.condux.com>.  
 DCD Design Catalog, Cable Pulling Eyes Section, "Power Cable Pulling Eyes 00925 / 24000 / 24100 Series," p. 24. Accessed from [www.dcdesign.com](http://www.dcdesign.com) Jul. 2007 Catalog; 1 page.  
 DCD Design Catalog, Cable Pulling Eyes Section, "24000 Power-Grip™ (lug) 24100 Power-Grip™ (clevis)," p. 25. Accessed from [www.dcdesign.com](http://www.dcdesign.com) Jul. 2007 Catalog; 1 page.  
 DCD Design Catalog, Cable Pulling Eyes Section, "Multiplex Pushing Eye 24200 Series," p. 26. Accessed from [www.dcdesign.com](http://www.dcdesign.com) Jul. 2007 Catalog; 1 page.  
 DCD Design Catalog, Cable Pulling Eyes Section, "Mimi Grip 24500 Series / Pulling Harness 25000 Series," p. 27. Accessed from [www.dcdesign.com](http://www.dcdesign.com) Jul. 2007 Catalog; 1 page.

"Grips Double Lock System," new product information page, accessed Mar. 18, 2010 from <http://www.maxis-tools.com/>, 1 page.  
 "Grips Maxis," product information page, accessed Mar. 18, 2010 from <http://www.maxis-tools.com/product/grips/>, 1 page.  
 "Utility Industries, Inc (UII)," product information page, accessed Mar. 18, 2010 from <http://utilityindustries.com/products.html>, 1 page.  
 "Greenlee," product information page, accessed Mar. 18, 2010 from [http://www.mygreenlee.com/Products/main.shtml?greenlee\\_category\\_id=10&product\\_category=109&adodb\\_next\\_page=1&portalProcess\\_2=showGreenleeProductTemplate&upc\\_number=31855](http://www.mygreenlee.com/Products/main.shtml?greenlee_category_id=10&product_category=109&adodb_next_page=1&portalProcess_2=showGreenleeProductTemplate&upc_number=31855), 1 page.  
 "Spaced and Overlapping Crimps" and "Crimp Configurations", product information page, Copyright 2007 FCI USA, Inc., 1 page. Canadian Official Action dated Feb. 25, 2010 in Canadian Design Serial No. 133807.  
 International Search Report and Written Opinion dated May 12, 2010 in International Application No. PCT/US10/028113.  
 U.S. Appl. No. 12/726,992, filed Mar. 18, 2010 entitled "Integrated Systems Facilitating Wire and Cable Installations", Inventors: Carlson et al.  
 U.S. Official Action dated Apr. 27, 2010 in U.S. Appl. No. 29/340,662.  
 U.S. Notice of Allowance / Allowability dated Jun. 23, 2010 in U.S. Appl. No. 29/340,662.  
 Mexican Official Action dated Dec. 6, 2010 in Mexican Design Serial No. MX/f/2010/000205.  
 U.S. Notice of Allowance / Allowability dated Sep. 22, 2010 in U.S. Appl. No. 29/368,014.  
 Photograph taken Mar. 28, 2011 of Pulling-Eye from Utility Industries, Inc. crimped to conductor (believed to be used in similar fashion and/or re-sold by Applicant as early as August of 2007).  
 Pulling Eye—Single Conductor Assembly Instructions: Downloaded from <http://utilityindustries.com> on Apr. 28, 2011.  
 U.S. Notice of Allowance dated May 3, 2010 in Design U.S. Appl. No. 29/340,663.  
 RectorSeal "Wire Snagger" product information page, accessed May 31, 2011 from [http://www.rectorseal.com/index.php?site\\_id=1&product\\_id=278](http://www.rectorseal.com/index.php?site_id=1&product_id=278).  
 Greenlee, product catalog, accessed May 31, 2011 from [http://www.greenlee.com/cat\\_docs/Cable\\_Pulling09.pdf](http://www.greenlee.com/cat_docs/Cable_Pulling09.pdf); pp. 177-182.  
 "Recommended Practice for Installing Aluminum Building Wire and Cable" NECA/AA 104-2000; published by National Electrical Contractors Association, 2000.  
 U.S. Office action dated Nov. 7, 2012 in U.S. Appl. No. 12/726,992.  
 U.S. Appl. No. 13/836,319 entitled "Integrated Systems Facilitating Wire and Cable Installations", filed on Mar. 15, 2013 to Carlson et al.

\* cited by examiner

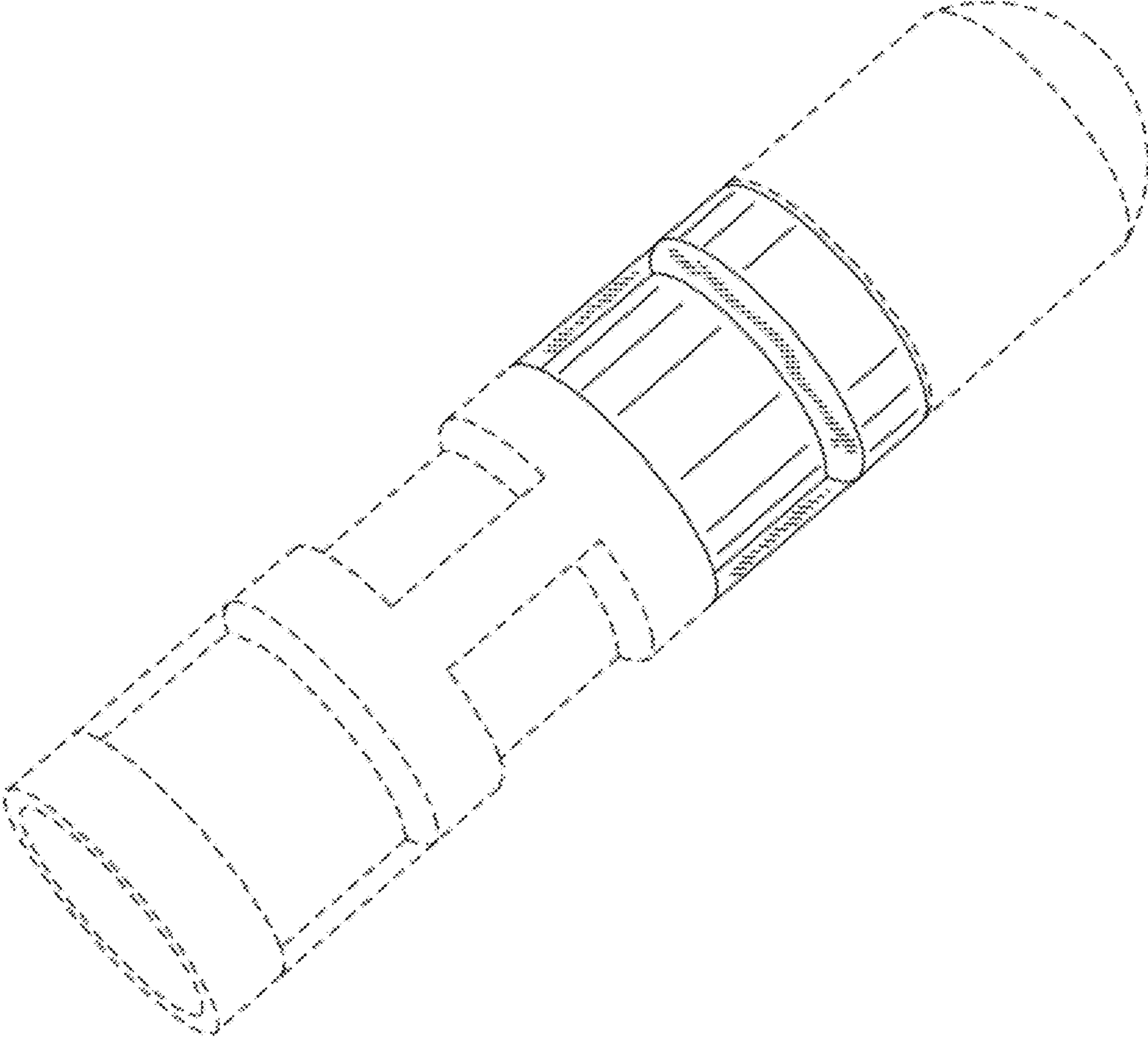
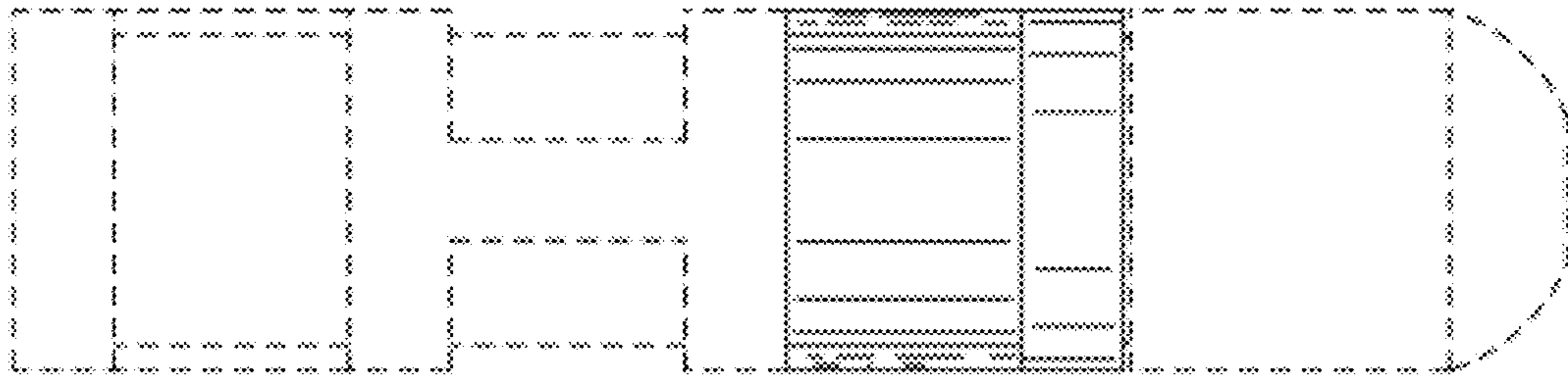
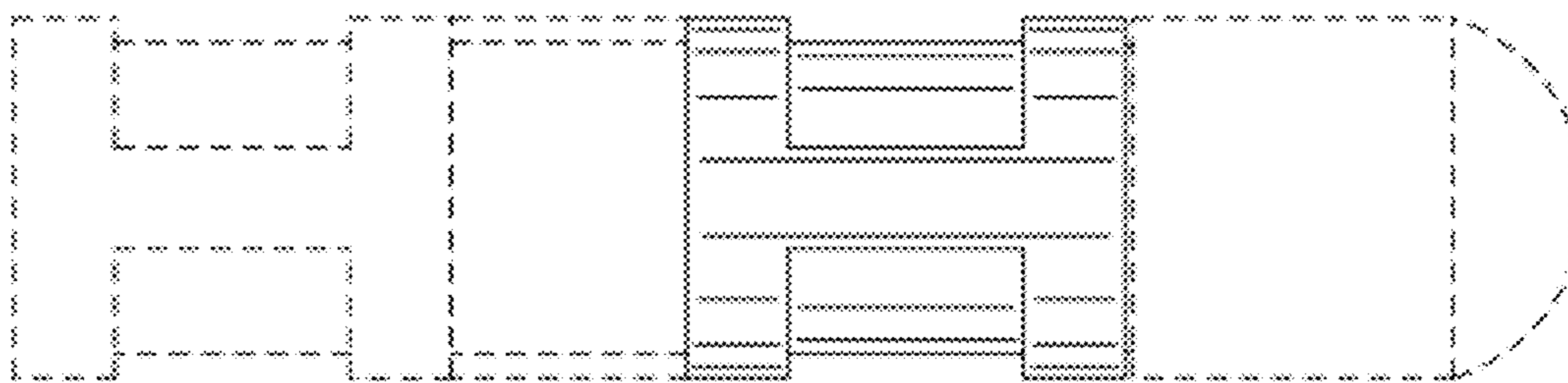


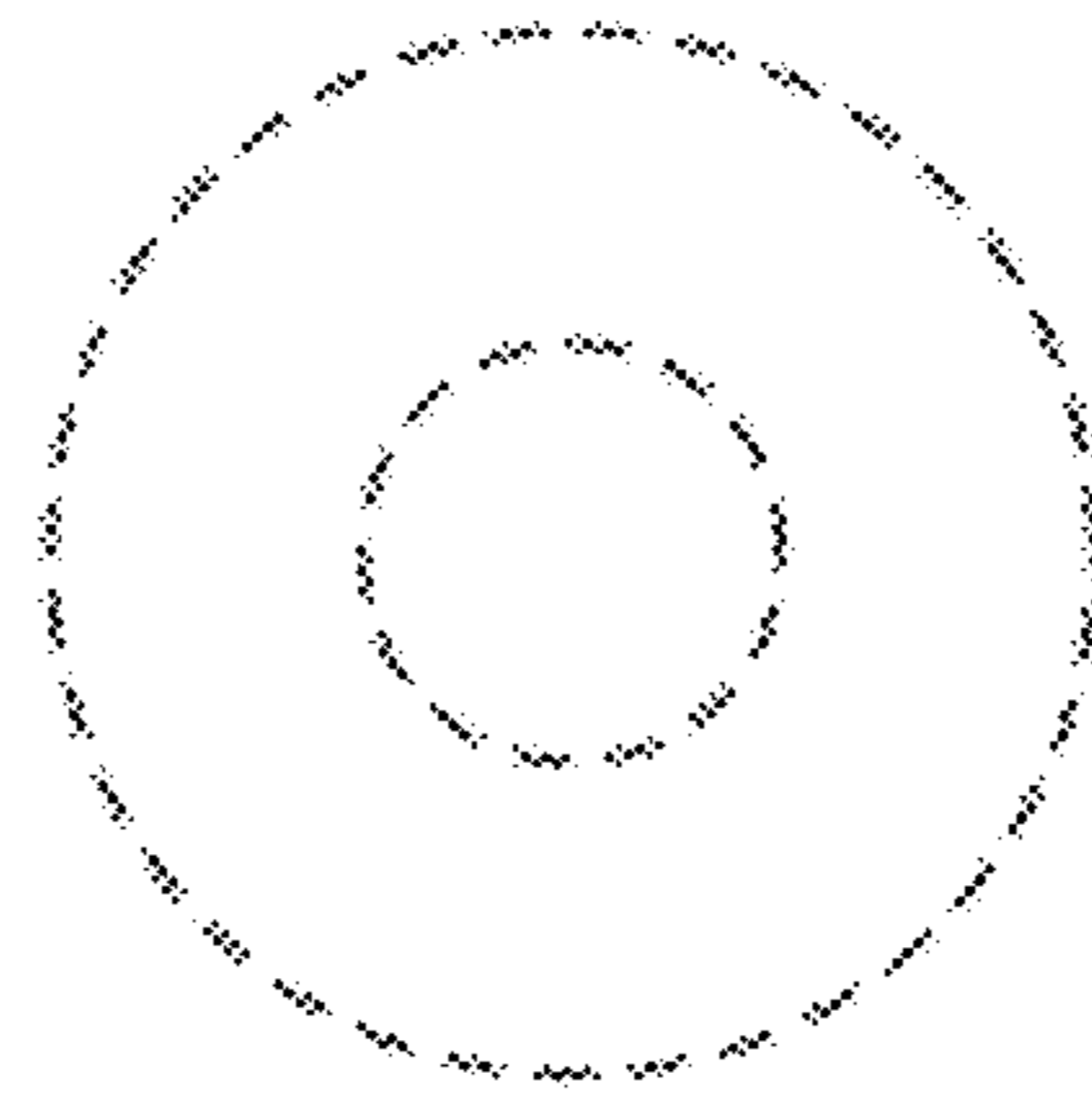
FIG. 1



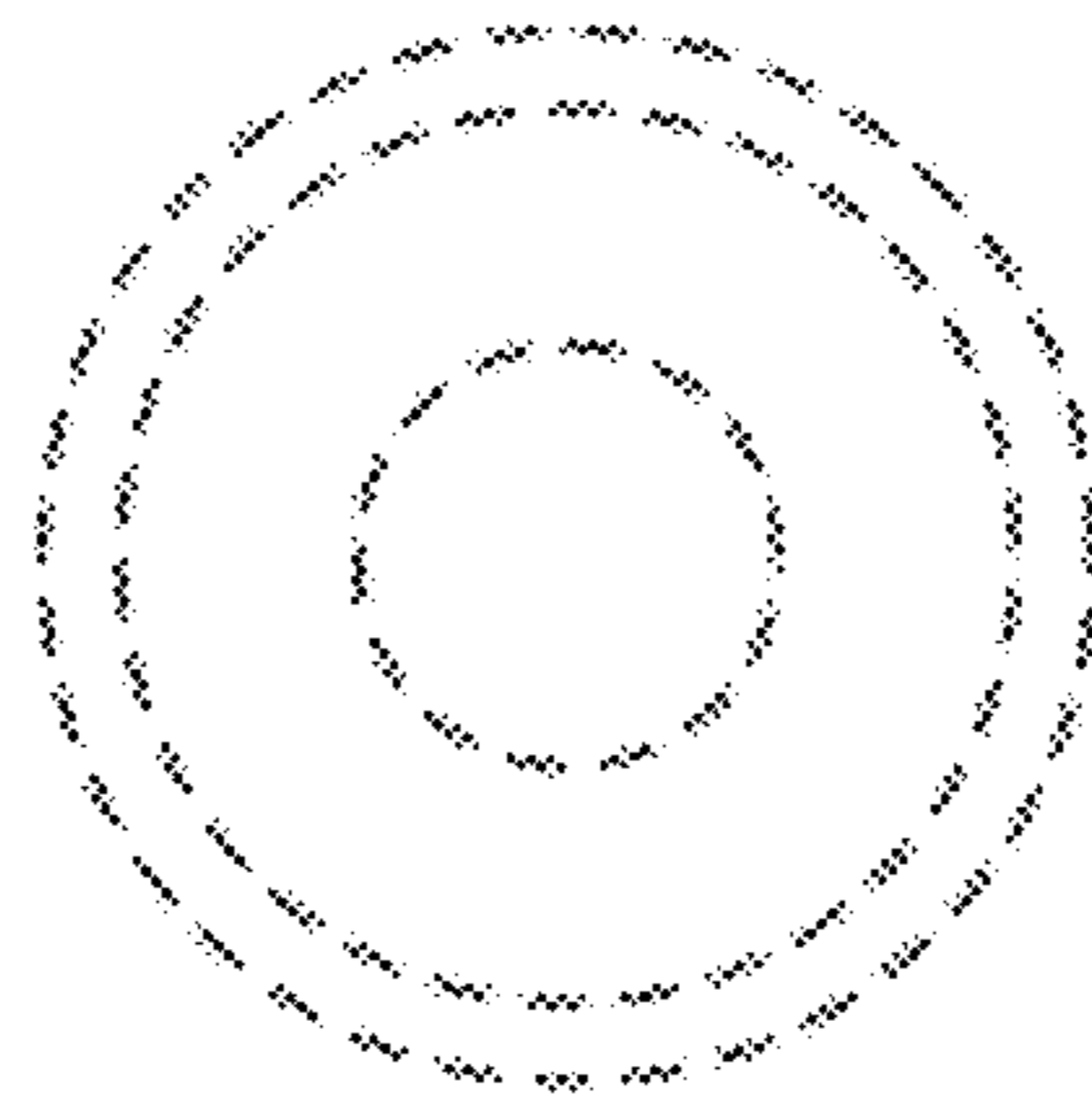
**FIG. 2**



**FIG. 3**



**FIG. 4**



**FIG. 5**

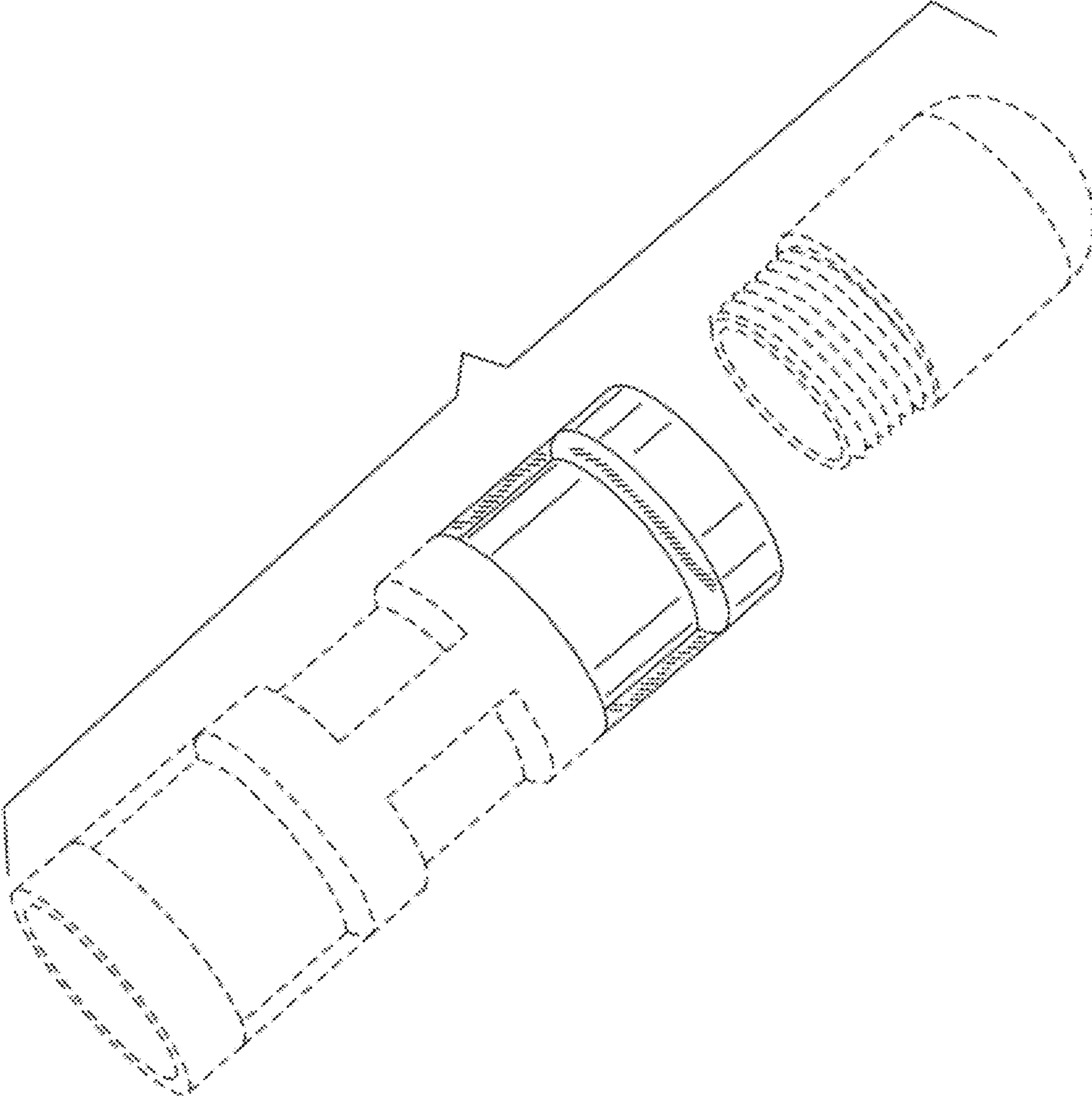


FIG. 6

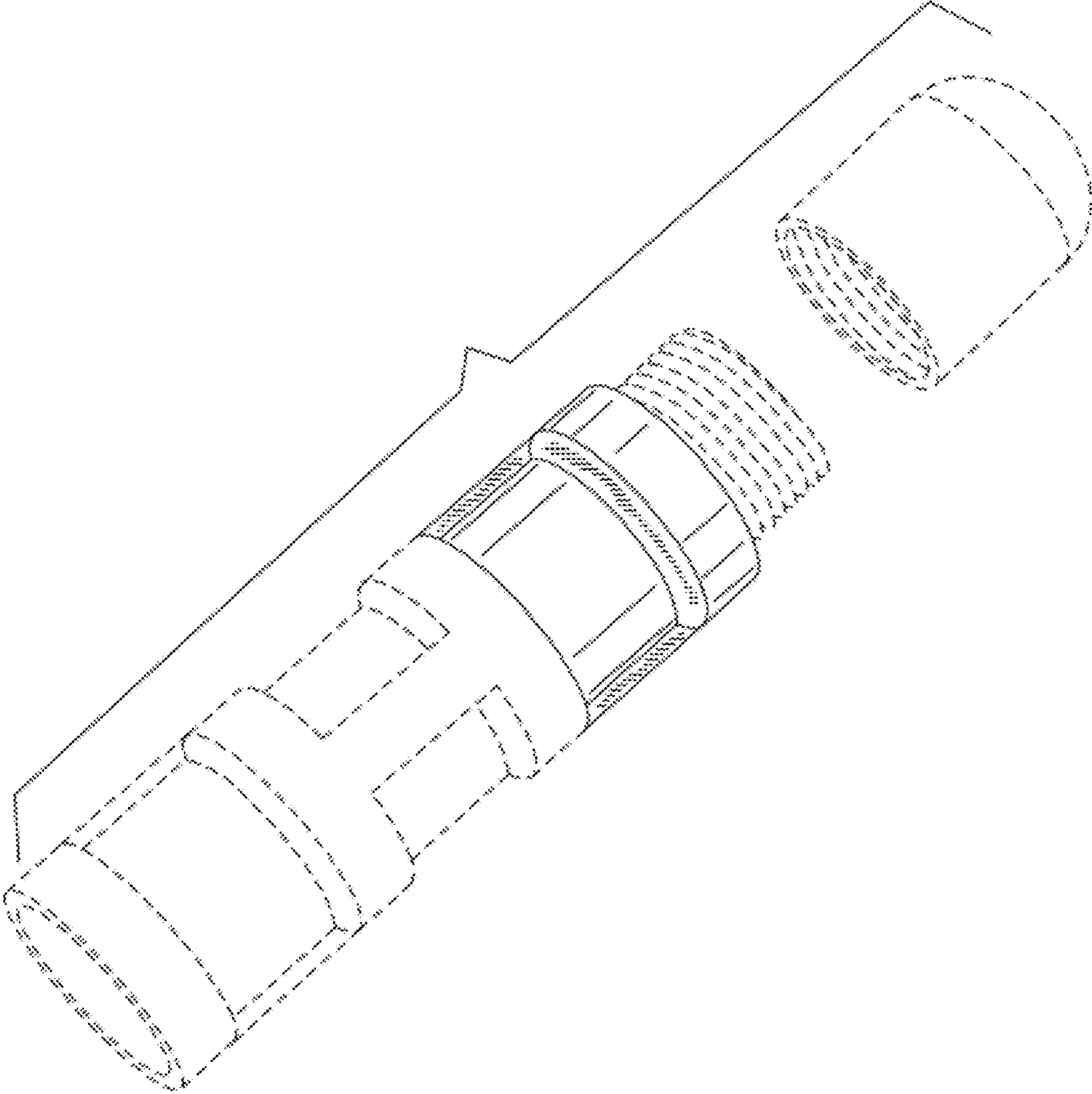


FIG. 7