



US00D686060S

(12) **United States Design Patent**
Colledge

(10) **Patent No.:** **US D686,060 S**
(45) **Date of Patent:** **** Jul. 16, 2013**

(54) **CURTAIN HOOK**

(75) Inventor: **Tony Colledge**, Witney (GB)

(73) Assignee: **Marlux Medical Limited**, Birmingham (GB)

(**) Term: **14 Years**

(21) Appl. No.: **29/426,099**

(22) Filed: **Jun. 29, 2012**

(30) **Foreign Application Priority Data**

Dec. 30, 2011 (EM) 001970179-0001

(51) **LOC (9) Cl.** **08-05**

(52) **U.S. Cl.**
USPC **D8/367**

(58) **Field of Classification Search**
USPC D8/367, 353, 354, 349, 356, 352,
D8/351, 381, 372; D6/323; 248/301, 304,
248/214, 215, 508, 354.7, 340, 302; D21/662;
294/143; 211/118; 16/87.2, 87.8, 330; 24/DIG.
11; 402/79; D22/144

See application file for complete search history.

(56) **References Cited**

U.S. PATENT DOCUMENTS

D126,051 S *	3/1941	Moeller	D8/367
D172,741 S *	8/1954	Cooper	D8/367
D175,485 S *	8/1955	Weiss	D8/367
D197,382 S *	1/1964	Hundley	D8/383
D336,031 S *	6/1993	Kaplan	D8/367
D348,604 S *	7/1994	Hannerstig	D8/368
D484,027 S *	12/2003	Clucas	D8/368
D499,007 S *	11/2004	The	D8/367

* cited by examiner

Primary Examiner — Cynthia Underwood

(74) *Attorney, Agent, or Firm* — Alix, Yale & Ristas, LLP

(57) **CLAIM**

The ornamental design for a curtain hook, as shown and described.

DESCRIPTION

FIG. 1 is a front elevational view of a curtain hook showing my new design;

FIG. 2 is a rear elevational view thereof;

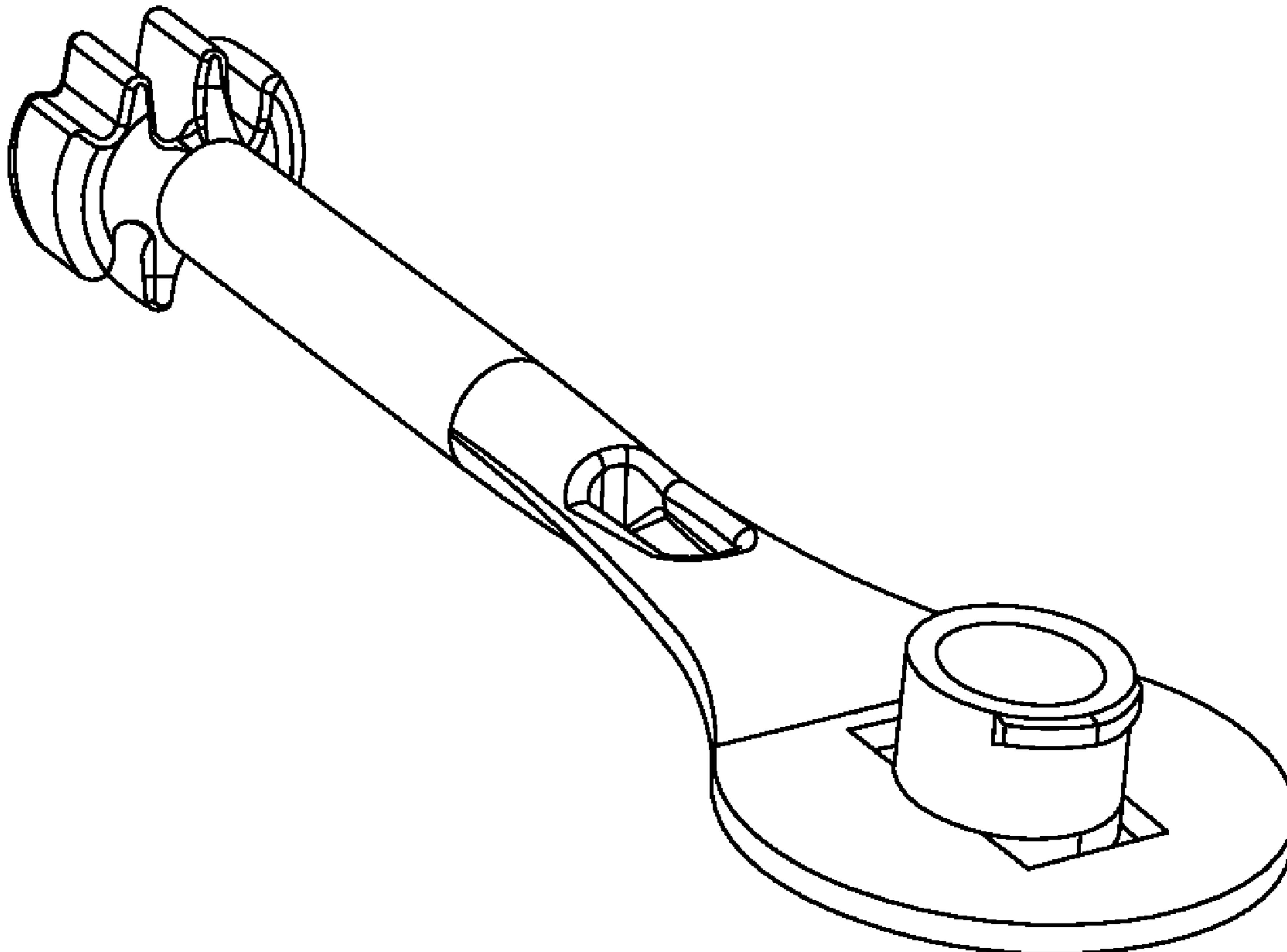
FIG. 3 is a left side elevational view, the opposite view being the mirror image thereof;

FIG. 4 is a bottom plan view thereof;

FIG. 5 is a top plan view thereof; and,

FIG. 6 is a generally top frontal perspective view thereof.

1 Claim, 3 Drawing Sheets



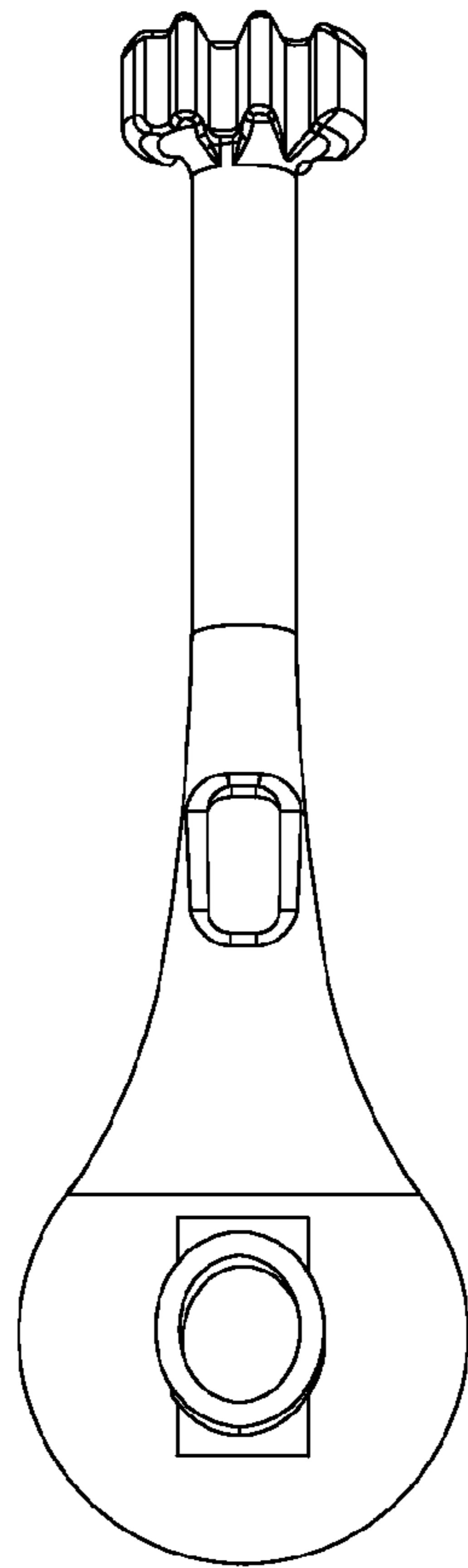


Fig. 1

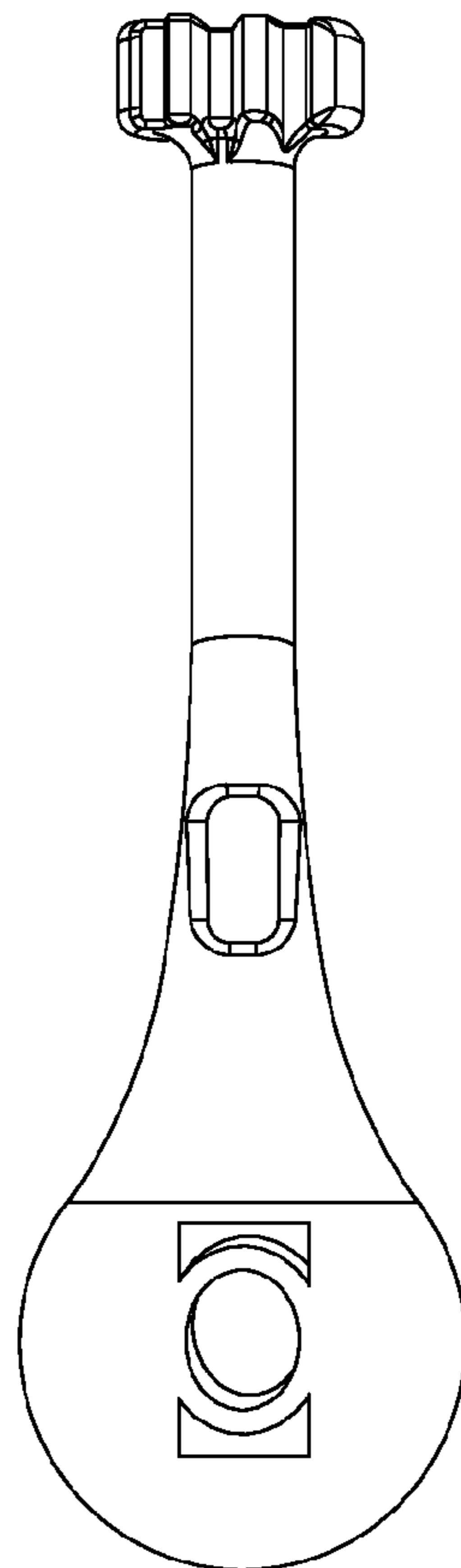


Fig. 2

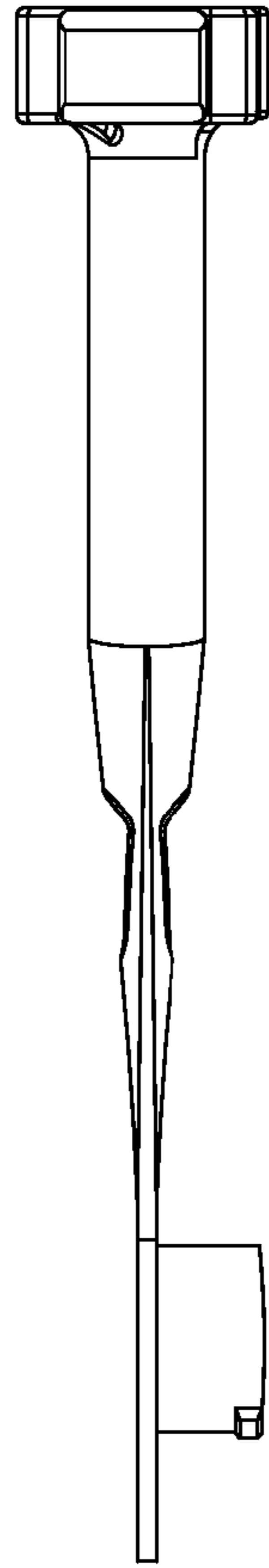
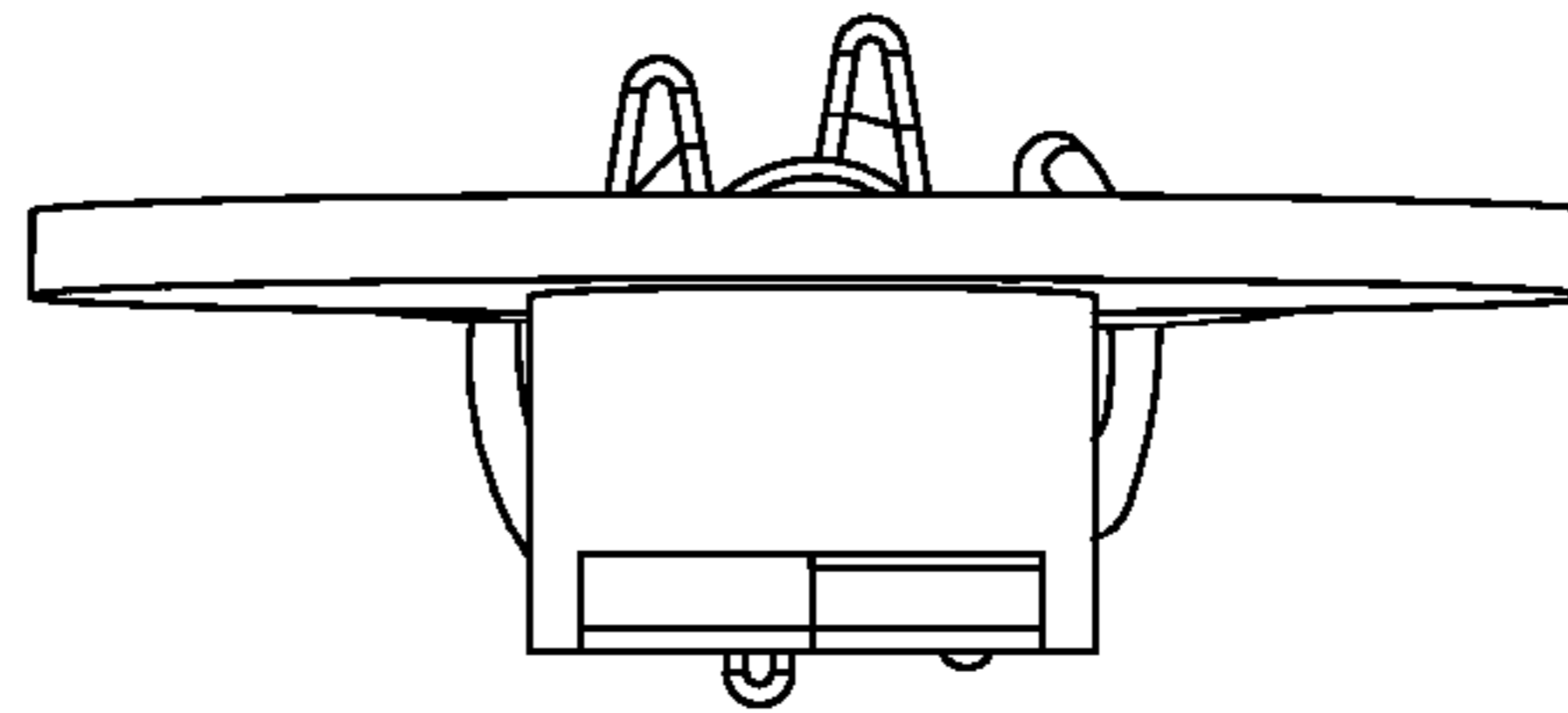


Fig. 3

Fig. 4



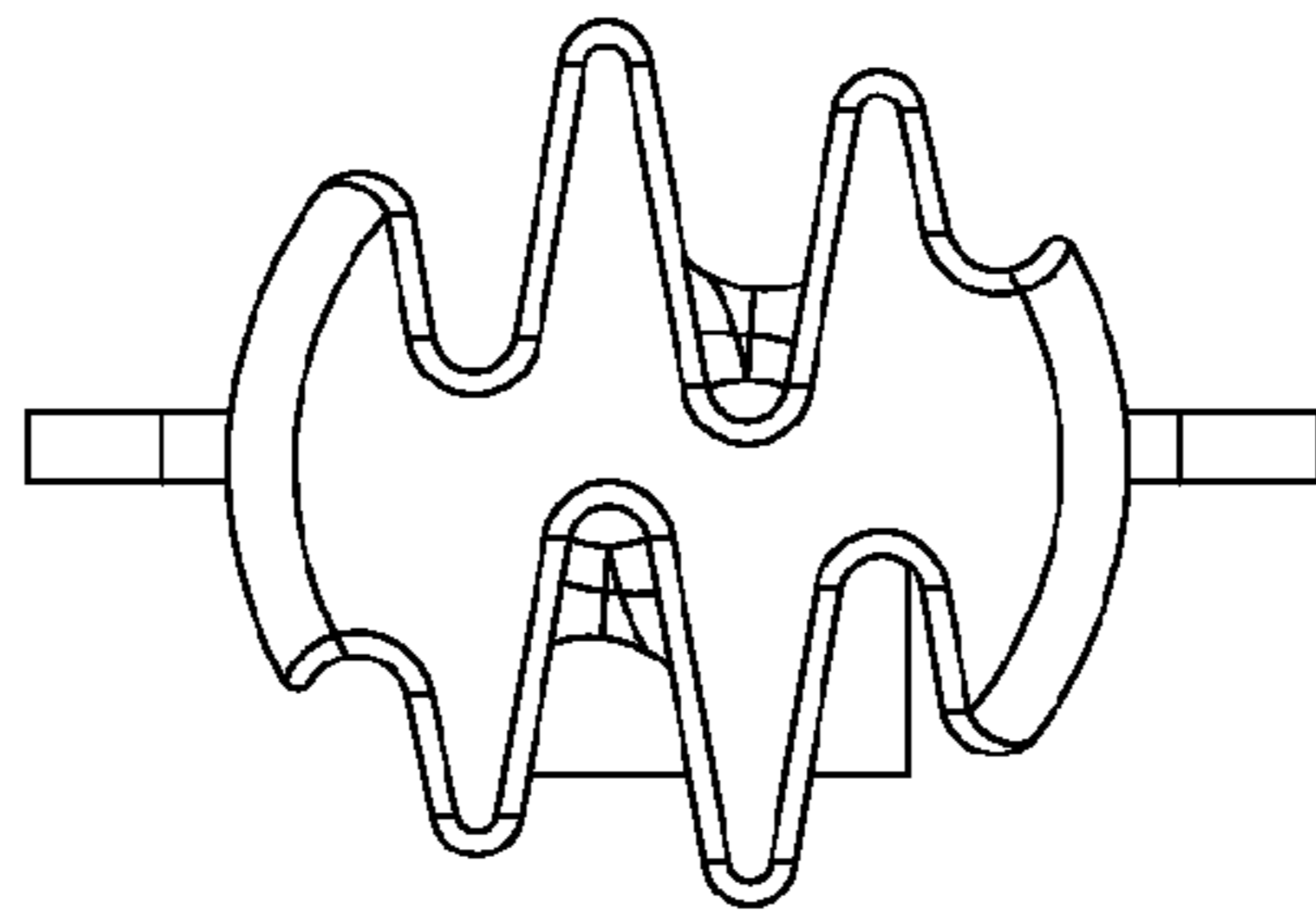


Fig. 5

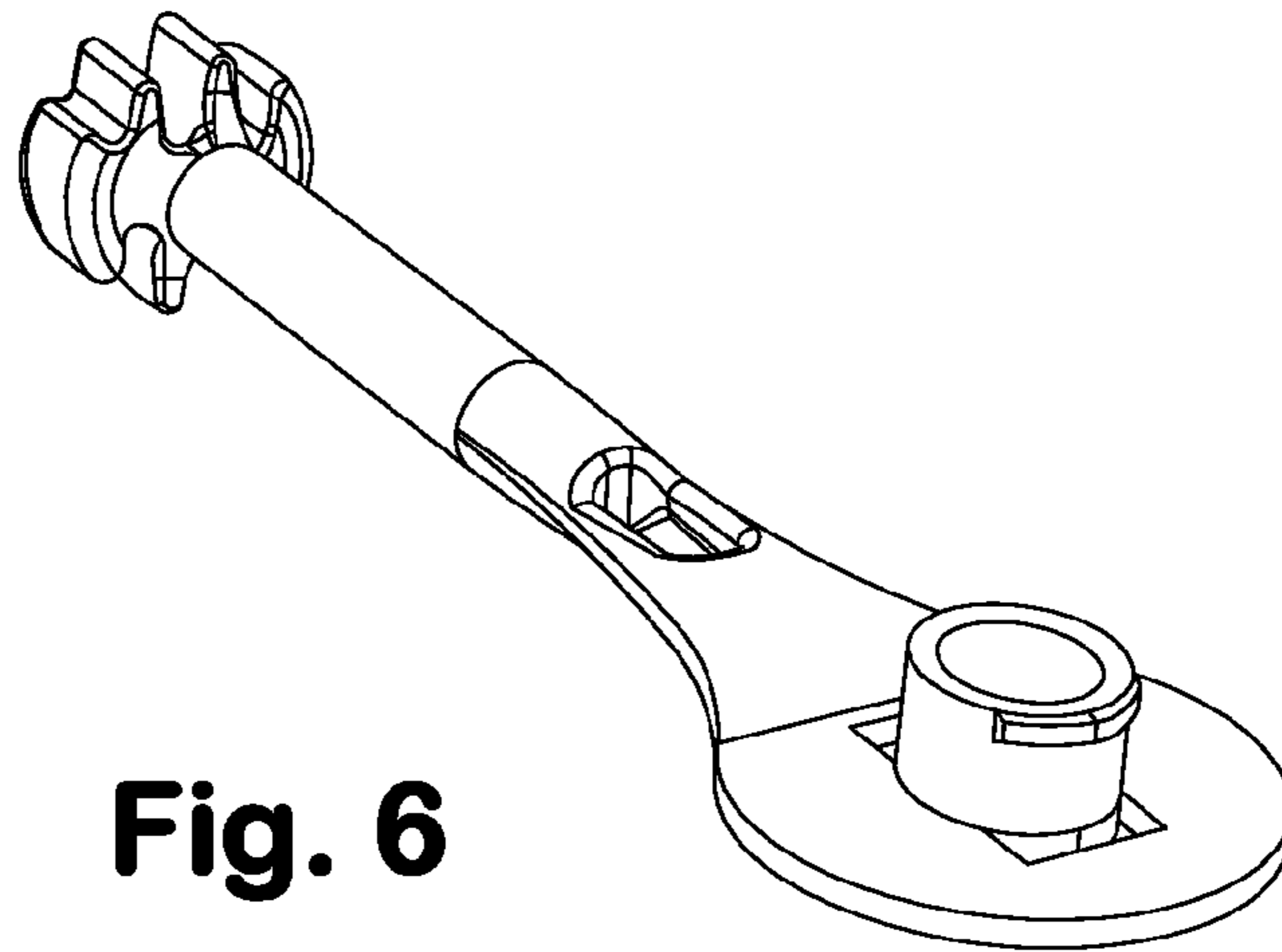


Fig. 6