



US00D686059S

(12) **United States Design Patent**
Paik et al.

(10) **Patent No.:** **US D686,059 S**
(45) **Date of Patent:** **** Jul. 16, 2013**

(54) **LOCK**

(71) Applicants: **Jisook Paik**, Seoul (KR); **Nan Hee Paik**, Seoul (KR); **Ji Hye Paik**, Seoul (KR); **Ji Won Son**, Seoul (KR)

(72) Inventors: **Jisook Paik**, Seoul (KR); **Nan Hee Paik**, Seoul (KR); **Ji Hye Paik**, Seoul (KR); **Ji Won Son**, Seoul (KR)

(**) Term: **14 Years**

(21) Appl. No.: **29/441,349**

(22) Filed: **Jan. 3, 2013**

(30) **Foreign Application Priority Data**

Jul. 7, 2012 (KR) 30-2012-0033127

(51) **LOC (9) Cl.** **08-05**

(52) **U.S. Cl.**
USPC **D8/356**

(58) **Field of Classification Search**
USPC .. D8/356, 367, 354, 349, 394, 373; D24/128;
D25/99; 24/455; 248/62, 63, 65, 74.1, 74.2,
248/75, 313, 316.1, 229.26; D11/218
See application file for complete search history.

(56) **References Cited**

U.S. PATENT DOCUMENTS

D340,008 S * 10/1993 Anscher D11/218
D421,578 S * 3/2000 Anscher D11/218
D467,838 S * 12/2002 Yoshiguchi D11/218

D483,294 S * 12/2003 Uehara D11/218
D508,218 S * 8/2005 Yoshiguchi D11/218
D510,297 S * 10/2005 Funo et al. D11/218
D563,270 S * 3/2008 Zeng D11/218
D564,409 S * 3/2008 Pontaoe D11/218
D576,077 S * 9/2008 Yoshiguchi D11/218
7,552,515 B2 * 6/2009 Funo 24/200
D619,497 S * 7/2010 Paik D11/218
D619,498 S * 7/2010 Paik D11/218
D668,580 S * 10/2012 Kax D11/218
D676,310 S * 2/2013 Lowrance D8/356
2007/0193006 A1 * 8/2007 Kitano et al. 24/323

* cited by examiner

Primary Examiner — Cynthia Underwood

(74) *Attorney, Agent, or Firm* — Novick, Kim & Lee, PLLC;
Jae Youn Kim

(57) **CLAIM**

We claim, the ornamental design for a lock, as shown and described.

DESCRIPTION

FIG. 1 is a perspective view of a lock, showing my new design;
FIG. 2 is a front elevational view thereof;
FIG. 3 is a rear elevational view thereof;
FIG. 4 is a left side elevational view thereof;
FIG. 5 is a right side elevational view thereof;
FIG. 6 is a top plan view thereof;
FIG. 7 is a bottom plan view thereof; and,
FIG. 8 is a cross sectional view thereof taken along line 8-8 in FIG. 2.

1 Claim, 4 Drawing Sheets

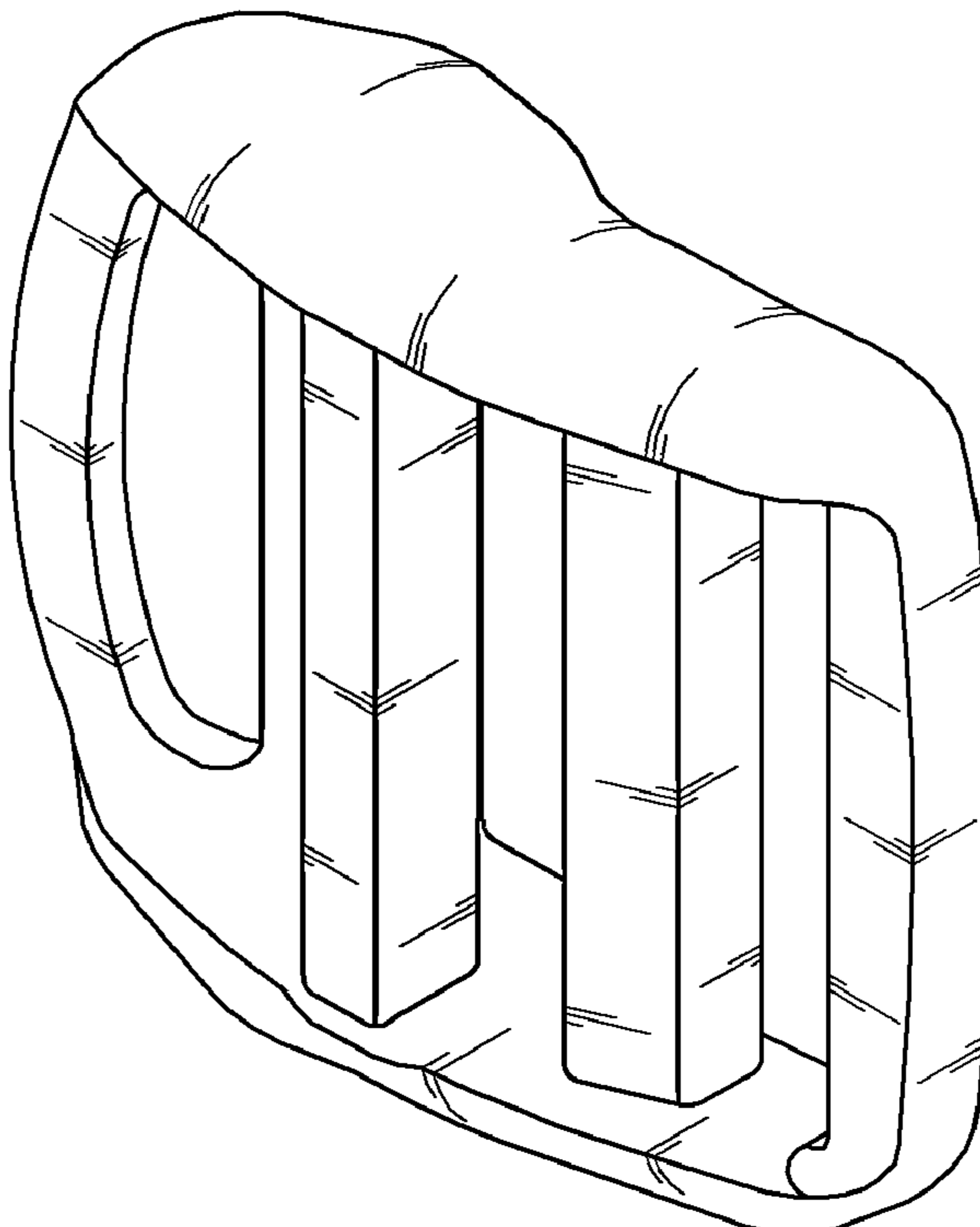


FIG. 1

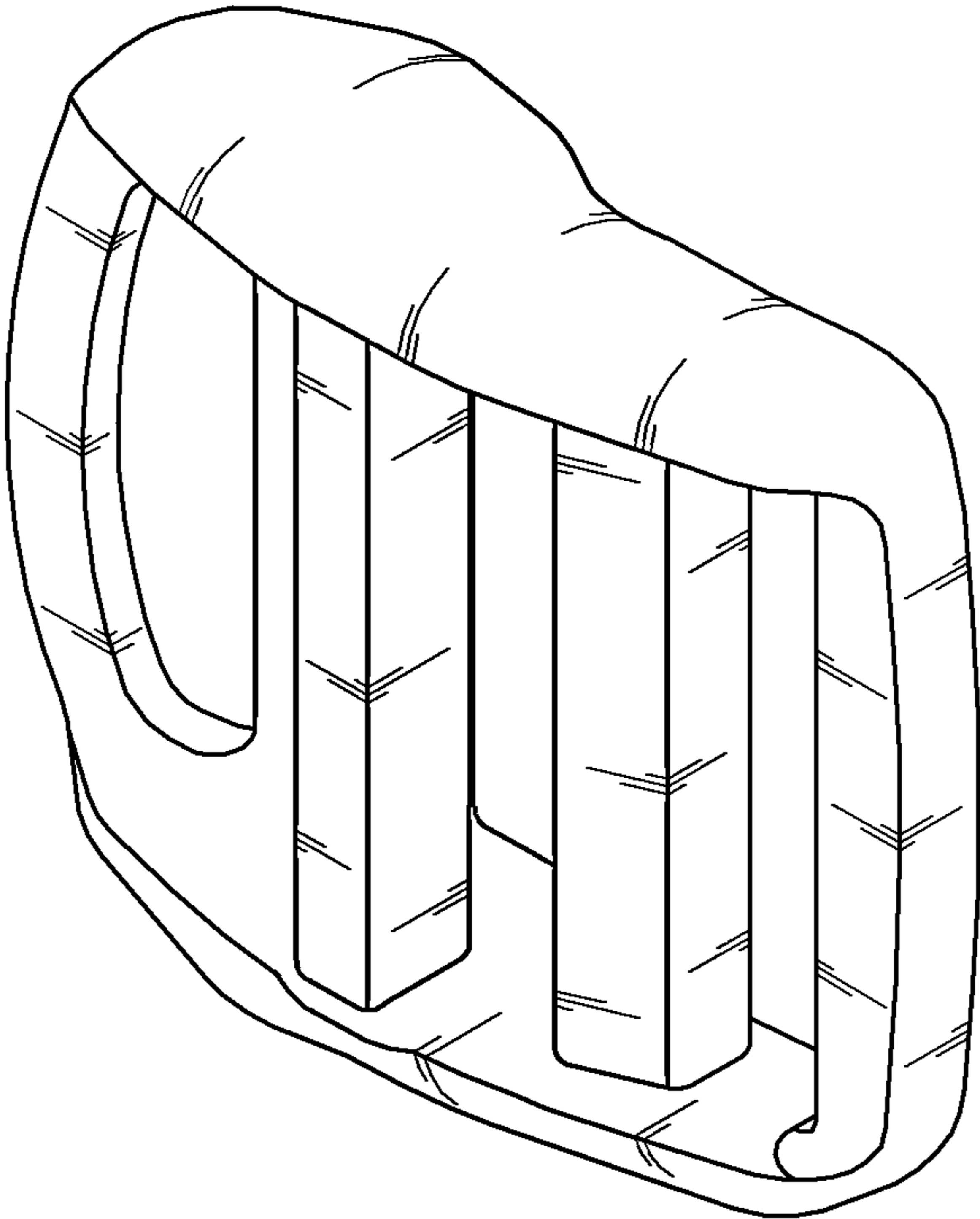


FIG. 2

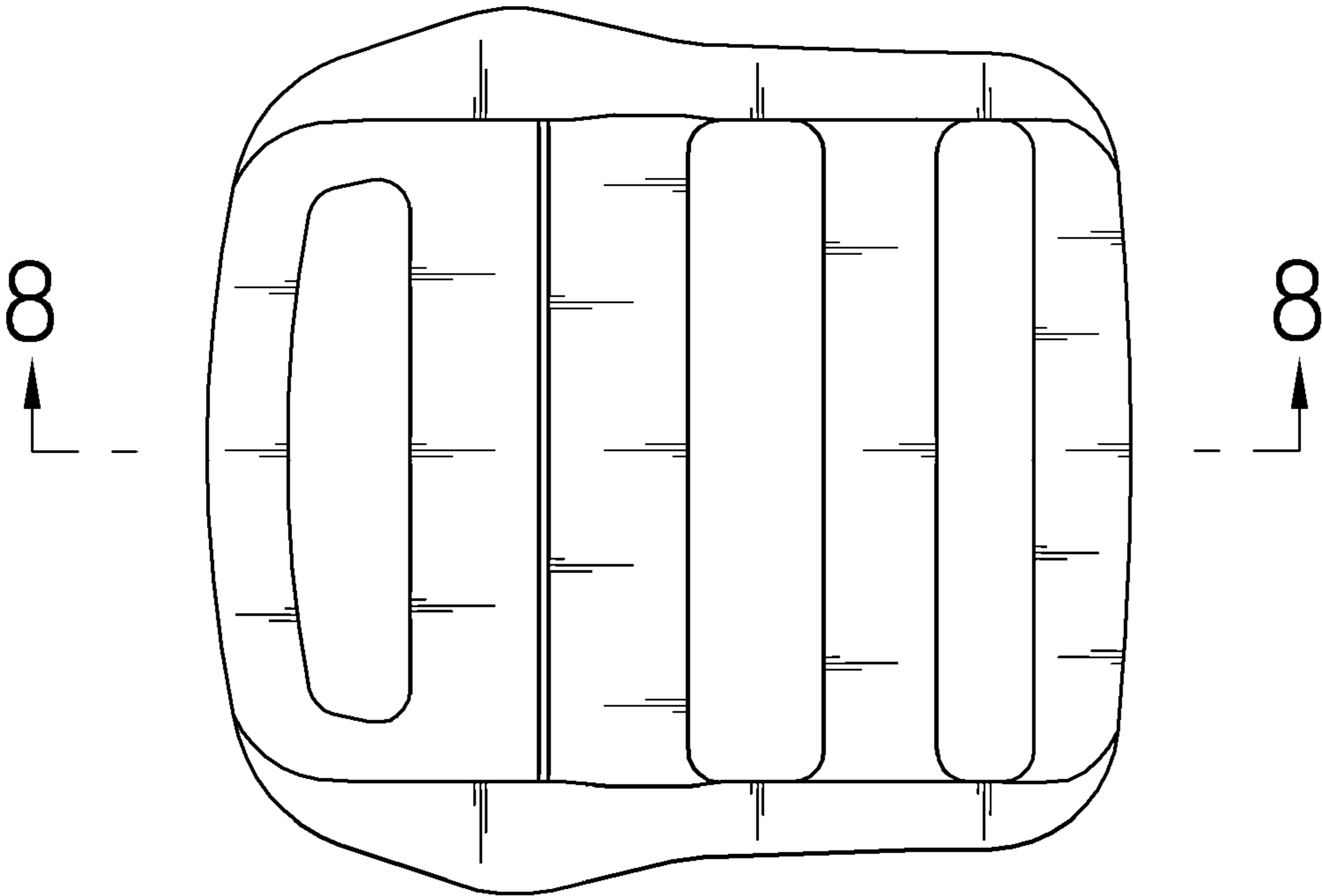


FIG.3

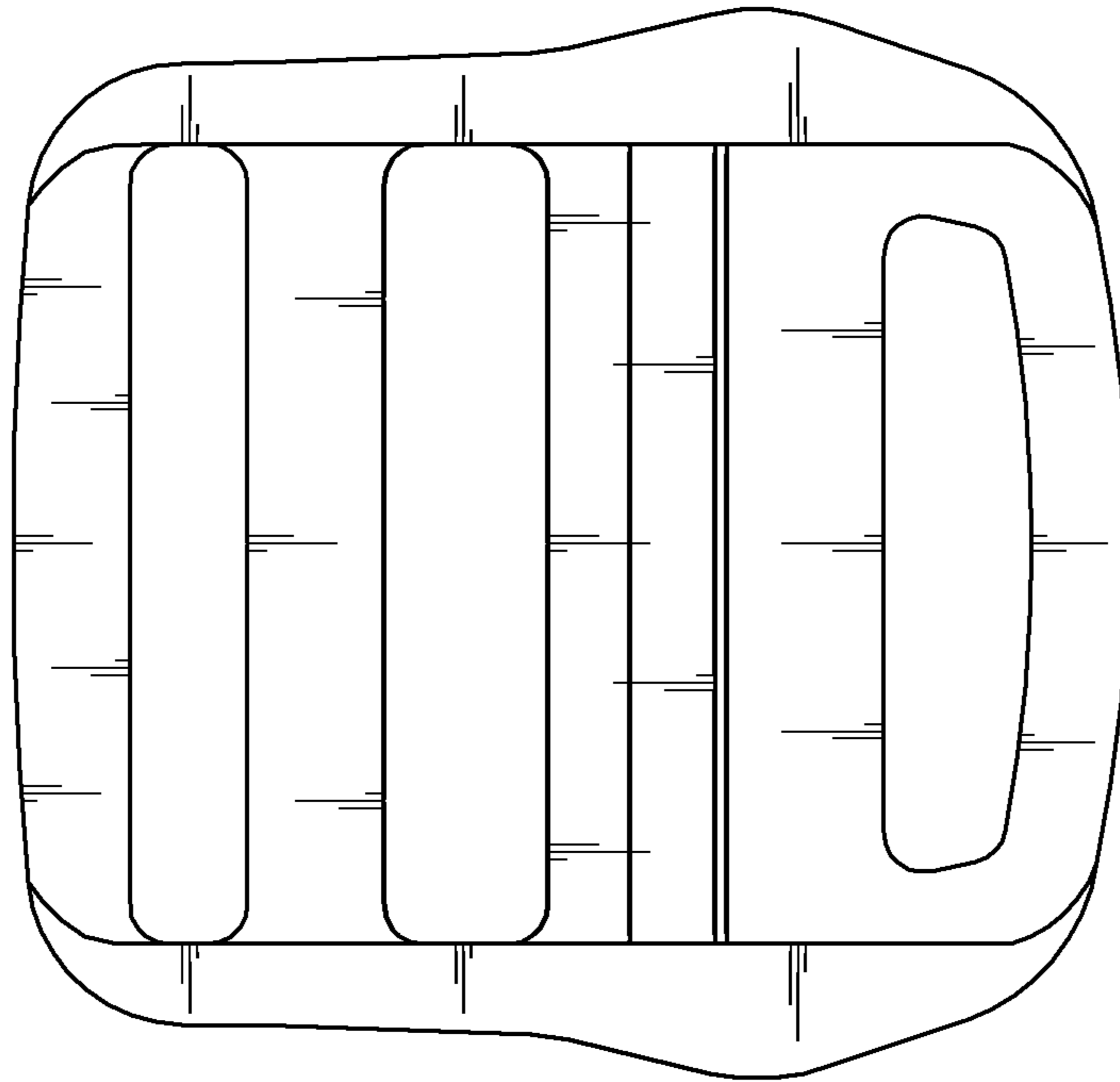


FIG.4

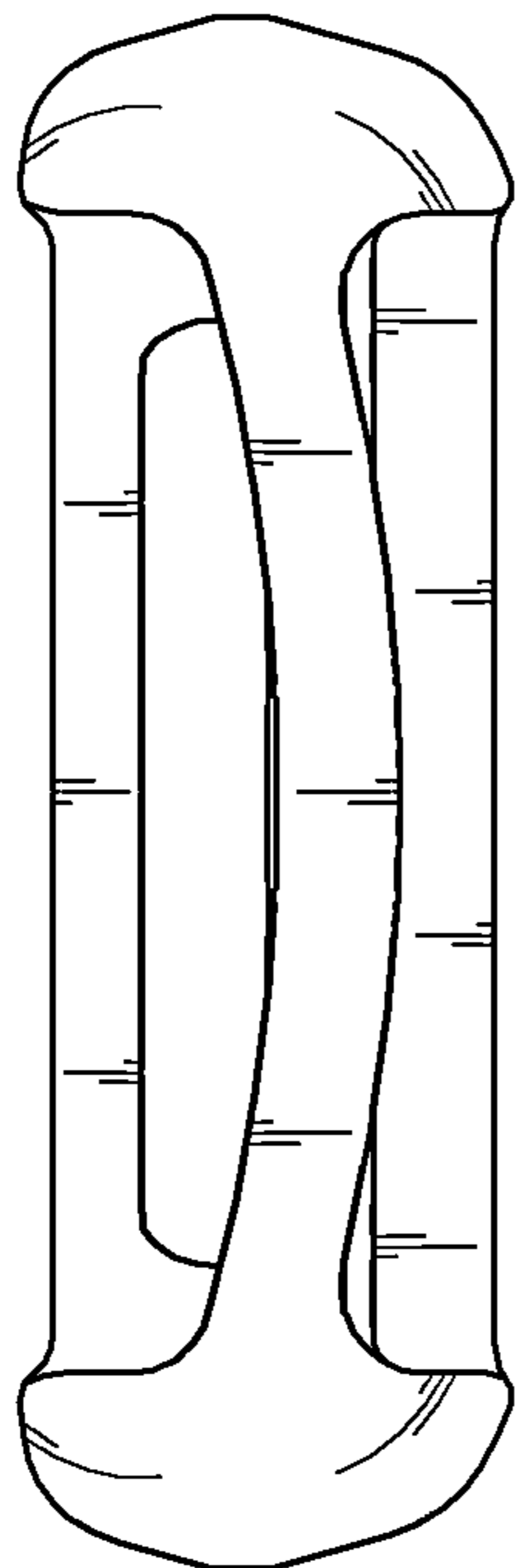


FIG.5

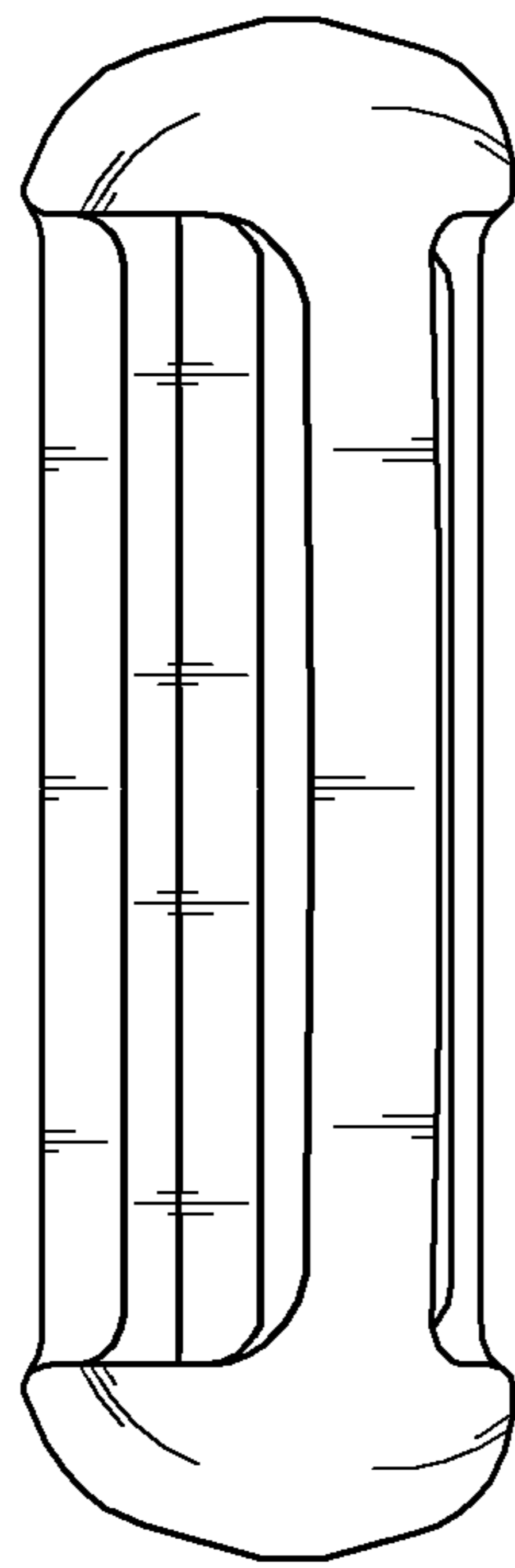


FIG.6

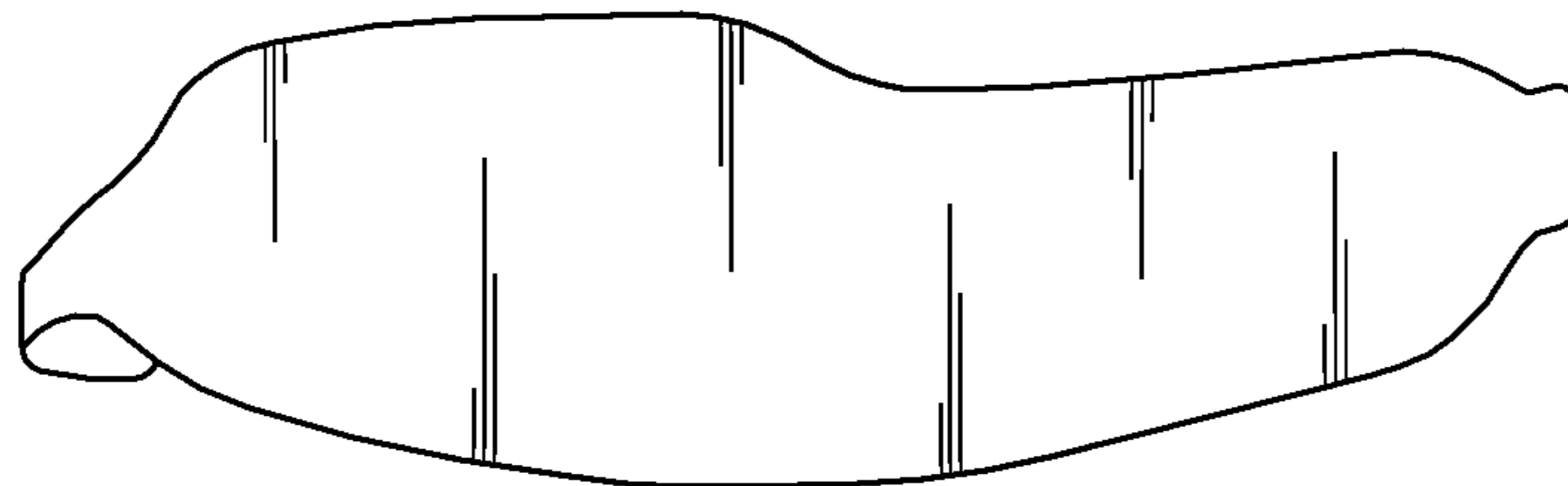


FIG.7

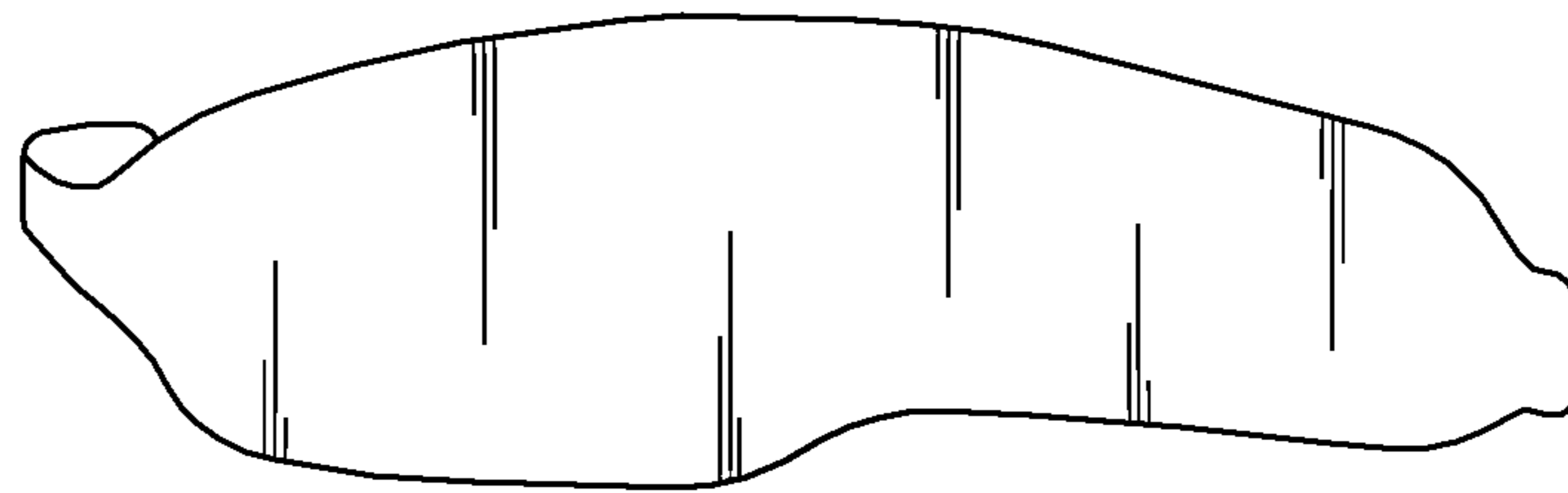


FIG.8

