



US00D686058S

(12) **United States Design Patent**
Paik et al.

(10) **Patent No.:** **US D686,058 S**
(45) **Date of Patent:** **** Jul. 16, 2013**

(54) **DOUBLE HOOK**

(71) Applicants: **Jisook Paik**, Seoul (KR); **Nan Hee Paik**, Seoul (KR); **Ji Hye Paik**, Seoul (KR); **Ji Won Son**, Seoul (KR)

(72) Inventors: **Jisook Paik**, Seoul (KR); **Nan Hee Paik**, Seoul (KR); **Ji Hye Paik**, Seoul (KR); **Ji Won Son**, Seoul (KR)

(**) Term: **14 Years**

(21) Appl. No.: **29/441,347**

(22) Filed: **Jan. 3, 2013**

(30) **Foreign Application Priority Data**

Jul. 7, 2012 (KR) 30-2012-0033125

(51) **LOC (9) Cl.** **08-05**

(52) **U.S. Cl.**
USPC **D8/356**

(58) **Field of Classification Search**
USPC .. D8/356, 367, 354, 349, 394, 373; D24/128;
D25/99; 24/455; 248/62, 63, 65, 74.1, 74.2,
248/75, 313, 316.1, 229.26; D11/218
See application file for complete search history.

(56) **References Cited**

U.S. PATENT DOCUMENTS

229,348 A * 6/1880 Witter 24/600.9
3,346,150 A * 10/1967 Clopton 223/95

D328,485 S * 8/1992 Crowley D22/109
D401,843 S * 12/1998 Goodman et al. D8/372
D405,965 S * 2/1999 Cardenas D6/328
D440,005 S * 4/2001 Blanton D26/138
D460,344 S * 7/2002 Smith D8/367
D569,714 S * 5/2008 Stewart et al. D8/373
D582,260 S * 12/2008 Horian D8/367
D619,448 S * 7/2010 Shepardson D8/367
D665,655 S * 8/2012 Ishii D8/367
D671,293 S * 11/2012 Fredriksson D34/35

* cited by examiner

Primary Examiner — Cynthia Underwood

(74) *Attorney, Agent, or Firm* — Novick, Kim & Lee, PLLC;
Jae Youn Kim

(57) **CLAIM**

We claim, the ornamental design for a double hook, as shown and described.

DESCRIPTION

FIG. 1 is a perspective view of a double hook, showing my new design;
FIG. 2 is a front elevational view thereof;
FIG. 3 is a rear elevational view thereof;
FIG. 4 is a left side elevational view thereof;
FIG. 5 is a right side elevational view thereof;
FIG. 6 is a top plan view thereof;
FIG. 7 is a bottom plan view thereof; and,
FIG. 8 is a sectional view taken along line 8-8 of FIG. 2.

1 Claim, 6 Drawing Sheets

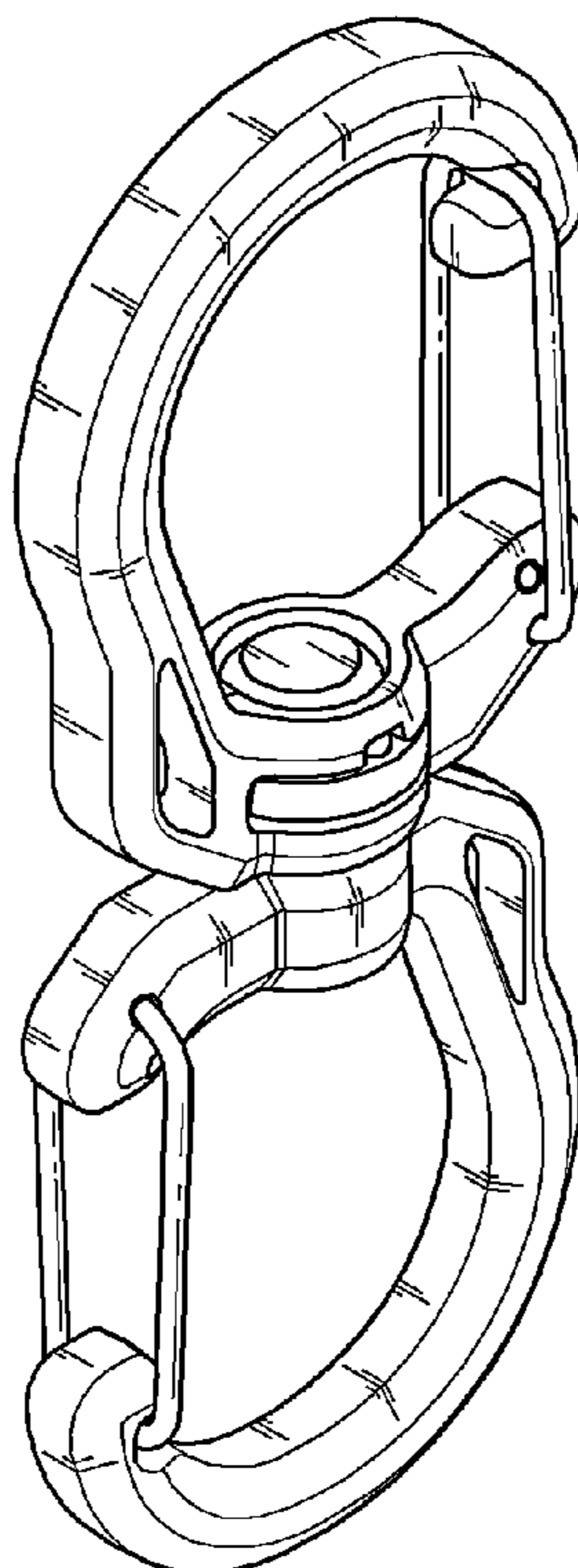


FIG. 1

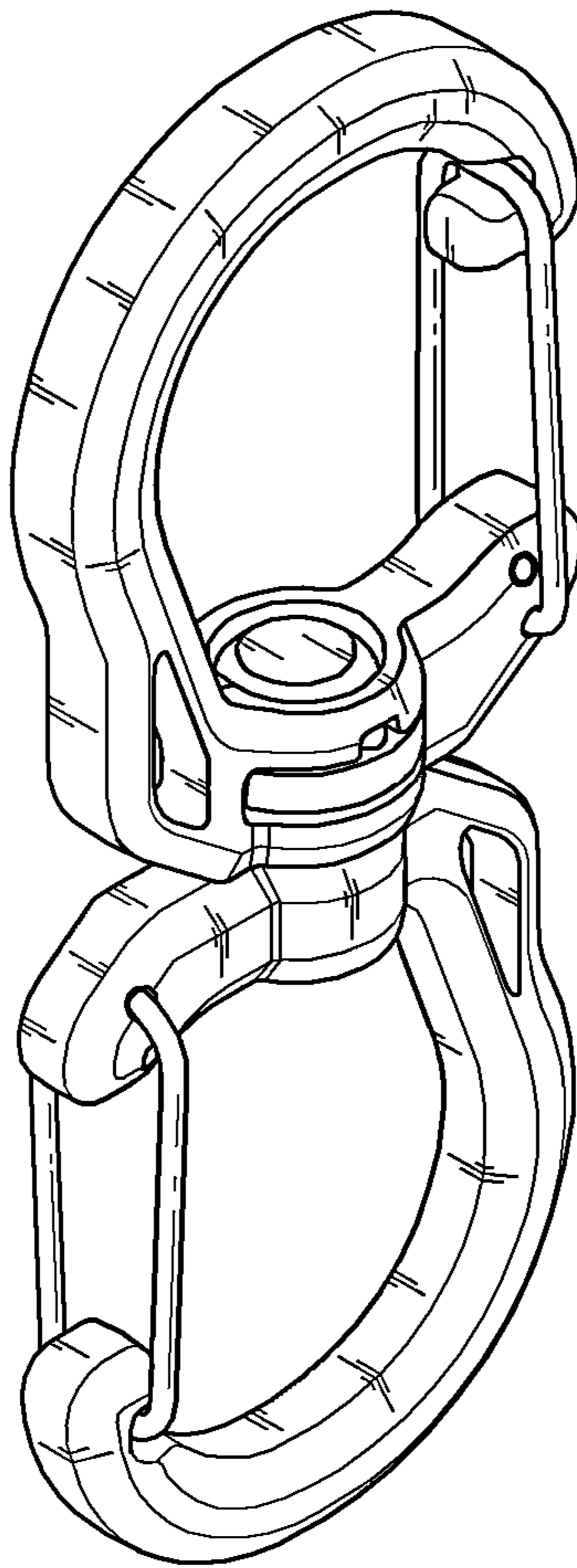


FIG. 2

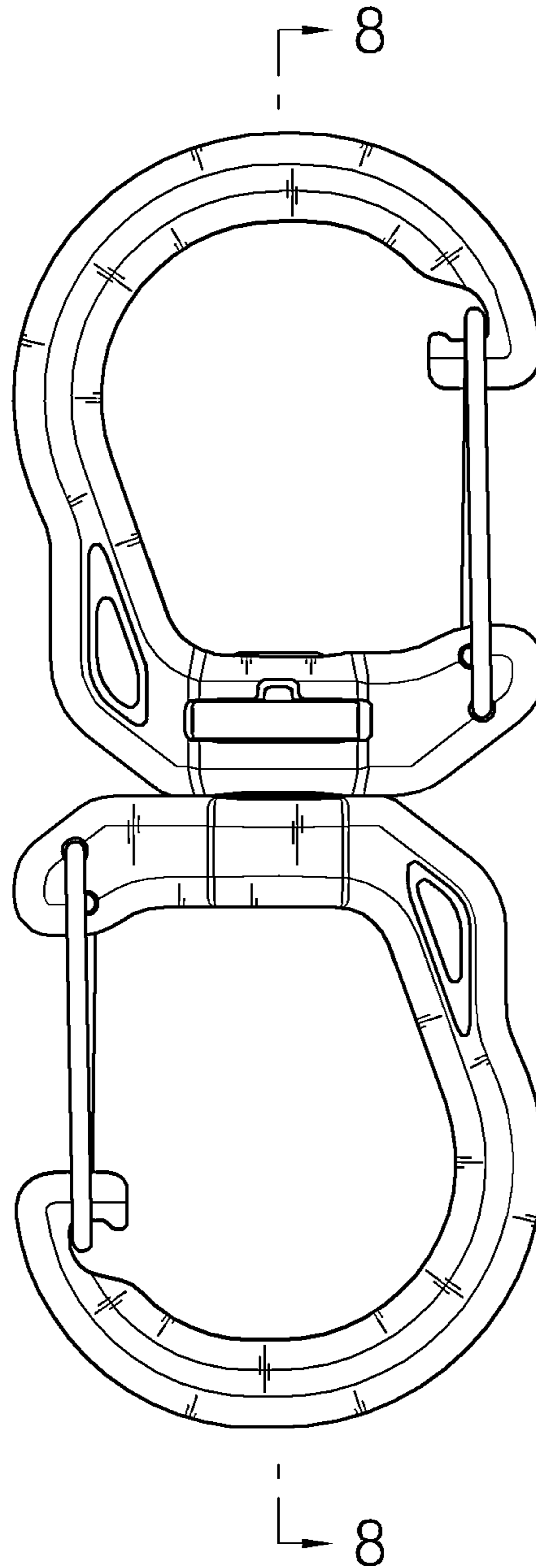


FIG.3

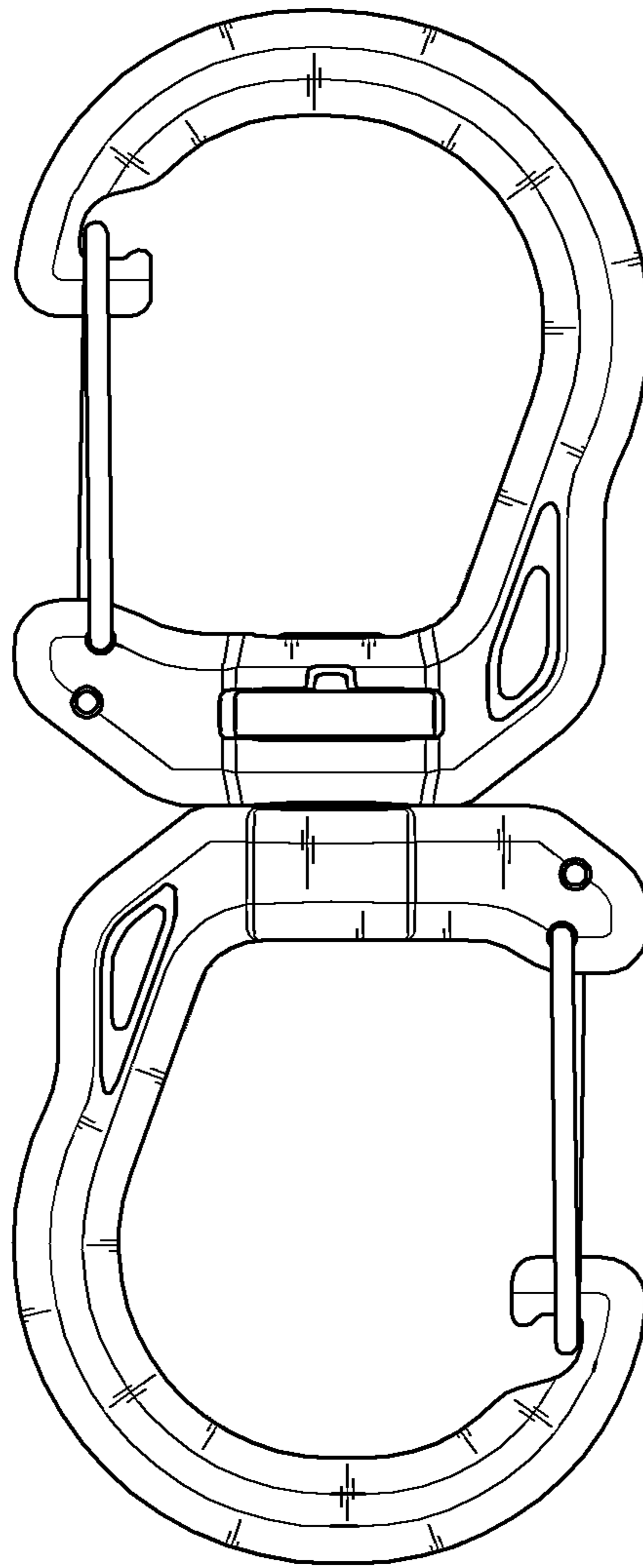


FIG. 4

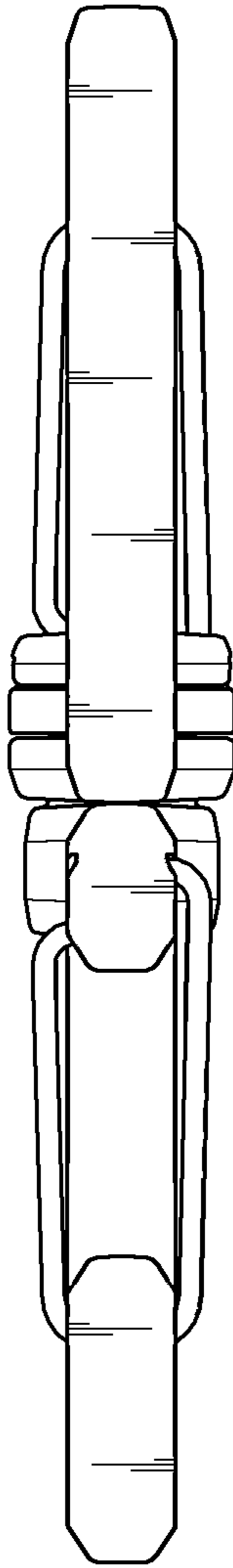


FIG.5

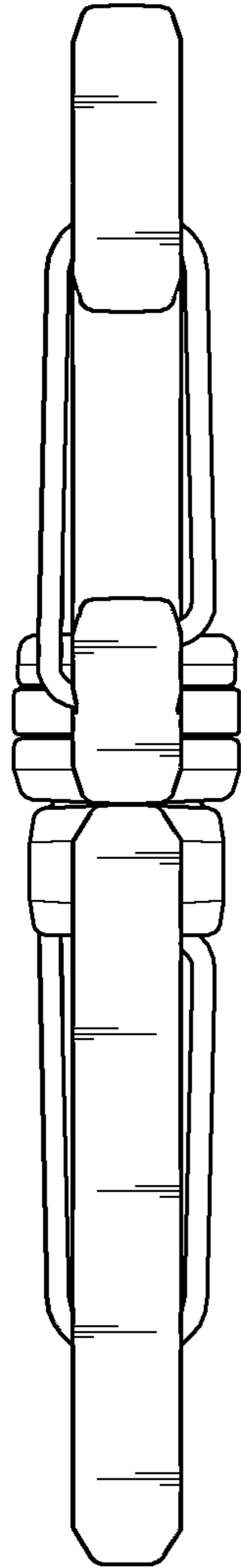


FIG.6

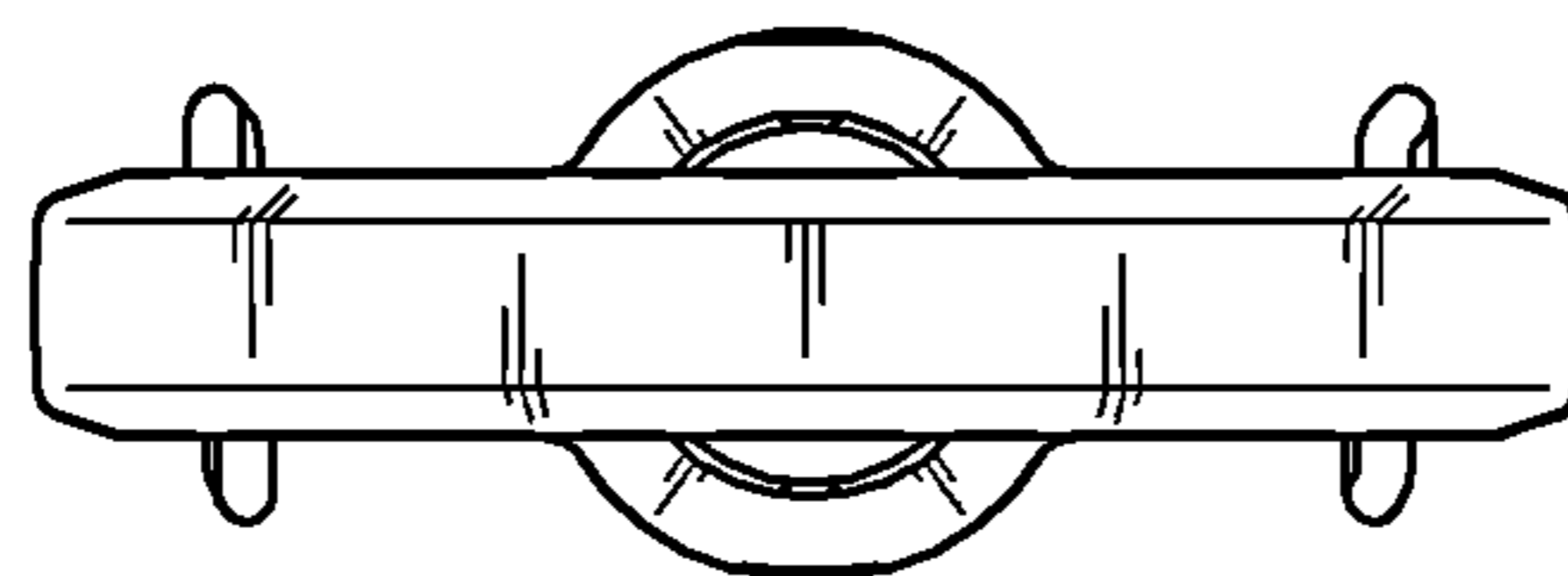


FIG.7

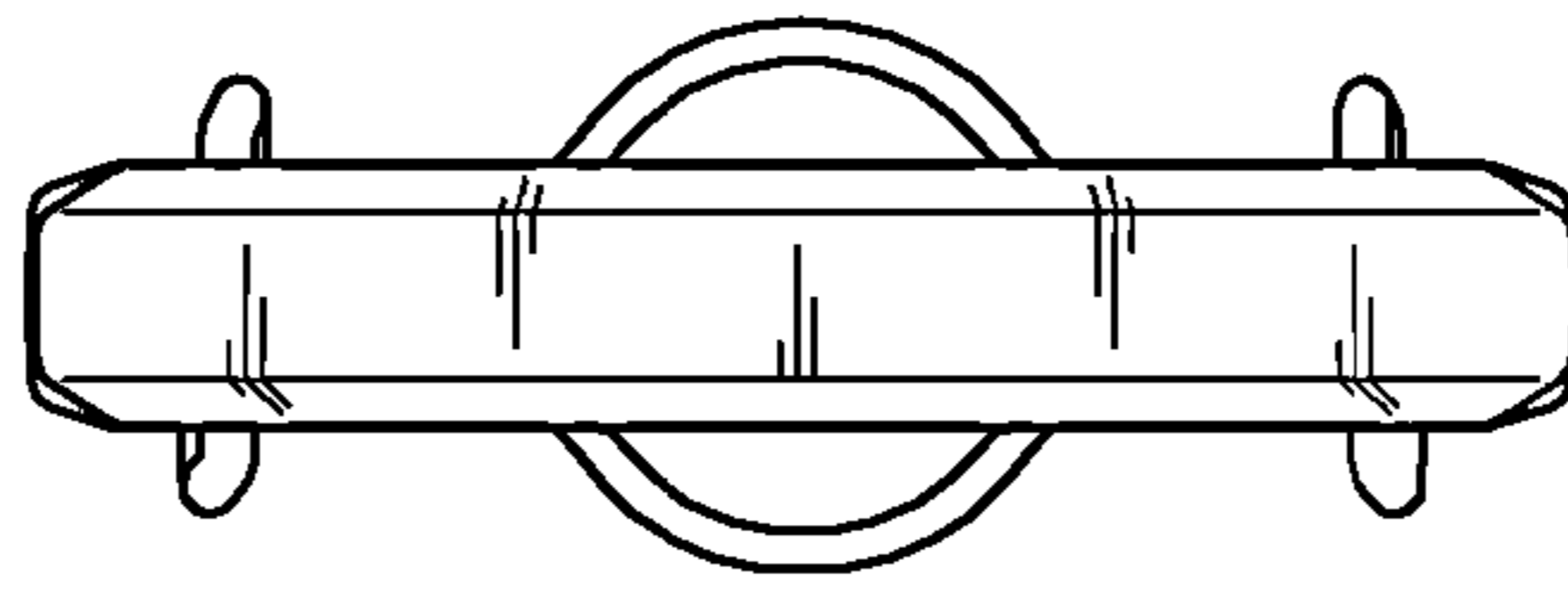


FIG.8

