



US00D686057S

(12) **United States Design Patent**
Castellano

(10) **Patent No.:** **US D686,057 S**
(45) **Date of Patent:** **** Jul. 16, 2013**

- (54) **BRACKET**
- (76) Inventor: **Enrico Castellano**, Marion, IL (US)
- (**) Term: **14 Years**
- (21) Appl. No.: **29/399,072**
- (22) Filed: **Aug. 9, 2011**
- (51) **LOC (9) Cl.** **08-05**
- (52) **U.S. Cl.**
USPC **D8/354; D8/349**
- (58) **Field of Classification Search**
USPC D8/349, 354, 380, 382, 366; 248/300,
248/237, 309.1; 52/188, 182, 191, 702, 712,
52/745.06, 189, 506.5, 586.1; 29/428, 525.01,
29/464; 249/14, 205, 208; 403/167, 169;
D25/119, 120, 122
See application file for complete search history.

7,600,352	B2 *	10/2009	Schulze	52/256
D617,174	S *	6/2010	Schaefer et al.	D8/354
D624,804	S *	10/2010	Wellard	D8/354
D636,656	S *	4/2011	Schaefer et al.	D8/354
D639,143	S *	6/2011	Schaefer et al.	D8/354
D639,144	S *	6/2011	Schaefer et al.	D8/354
2008/0092470	A1 *	4/2008	Jackson	52/288.1
2009/0139167	A1	6/2009	Donaldson et al.		

* cited by examiner

Primary Examiner — Mark Goodwin

(74) *Attorney, Agent, or Firm* — Thompson Coburn LLP

(56) **References Cited**

U.S. PATENT DOCUMENTS

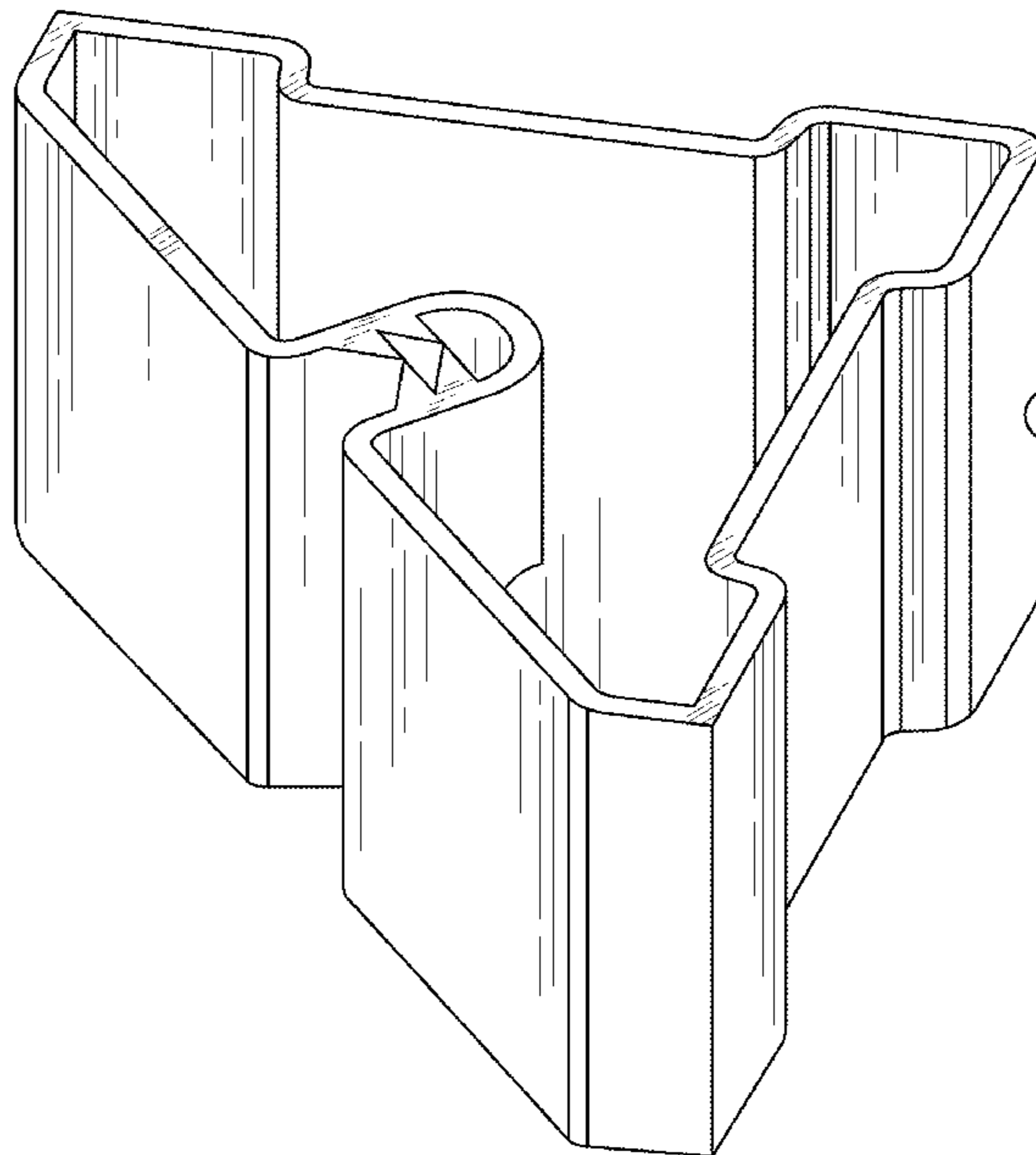
1,977,073	A	10/1934	MacNab et al.		
2,878,845	A	3/1959	Hale		
3,302,350	A *	2/1967	Brown et al.	52/288.1
3,605,137	A *	9/1971	Stollenwerk	5/625
3,667,177	A	6/1972	Biela		
3,707,061	A	12/1972	Collette et al.		
4,150,517	A	4/1979	Warner, Sr.		
D276,980	S *	1/1985	Ahlund	D8/400
D277,728	S *	2/1985	Ahlund	D8/400
D294,866	S *	3/1988	Meshulam	D25/122
D319,509	S *	8/1991	Ogilvie	D25/122
D373,738	S *	9/1996	Nagai et al.	D10/94
5,732,747	A	3/1998	Holliday		
5,890,267	A	4/1999	Neuhofer, Jr.		
D478,270	S *	8/2003	Curtas et al.	D8/354
D478,497	S *	8/2003	Curtas et al.	D8/354
7,383,670	B1 *	6/2008	Meyers	52/843

(57) **CLAIM**
The ornamental design for a bracket, as shown and described.

DESCRIPTION

FIG. 1 is a top perspective view of the bracket showing my new design;
 FIG. 2 is a bottom perspective view of the bracket of FIG. 1;
 FIG. 3 is a top plan view of the bracket of FIG. 1 (the bottom view being an identical image thereof);
 FIG. 4 is a side view of a leg of the bracket of FIG. 1 (the view of the adjacent leg being a mirror image thereof);
 FIG. 5 is a front side view of the bracket of FIG. 1 showing both legs;
 FIG. 6 is a rear side view of the bracket of FIG. 1 (FIG. 6 is a view opposite that of FIG. 5);
 FIG. 7 is a top cross-sectional view of the bracket of FIG. 1 taken along lines 7-7 of FIG. 6;
 FIG. 8 is a partial cross-sectional view of the bracket of FIG. 1 taken along lines 8-8 of FIG. 7 and lines 7-7 of FIG. 6; and,
 FIG. 9 is an alternate perspective view of the bracket of FIG. 1.

1 Claim, 9 Drawing Sheets



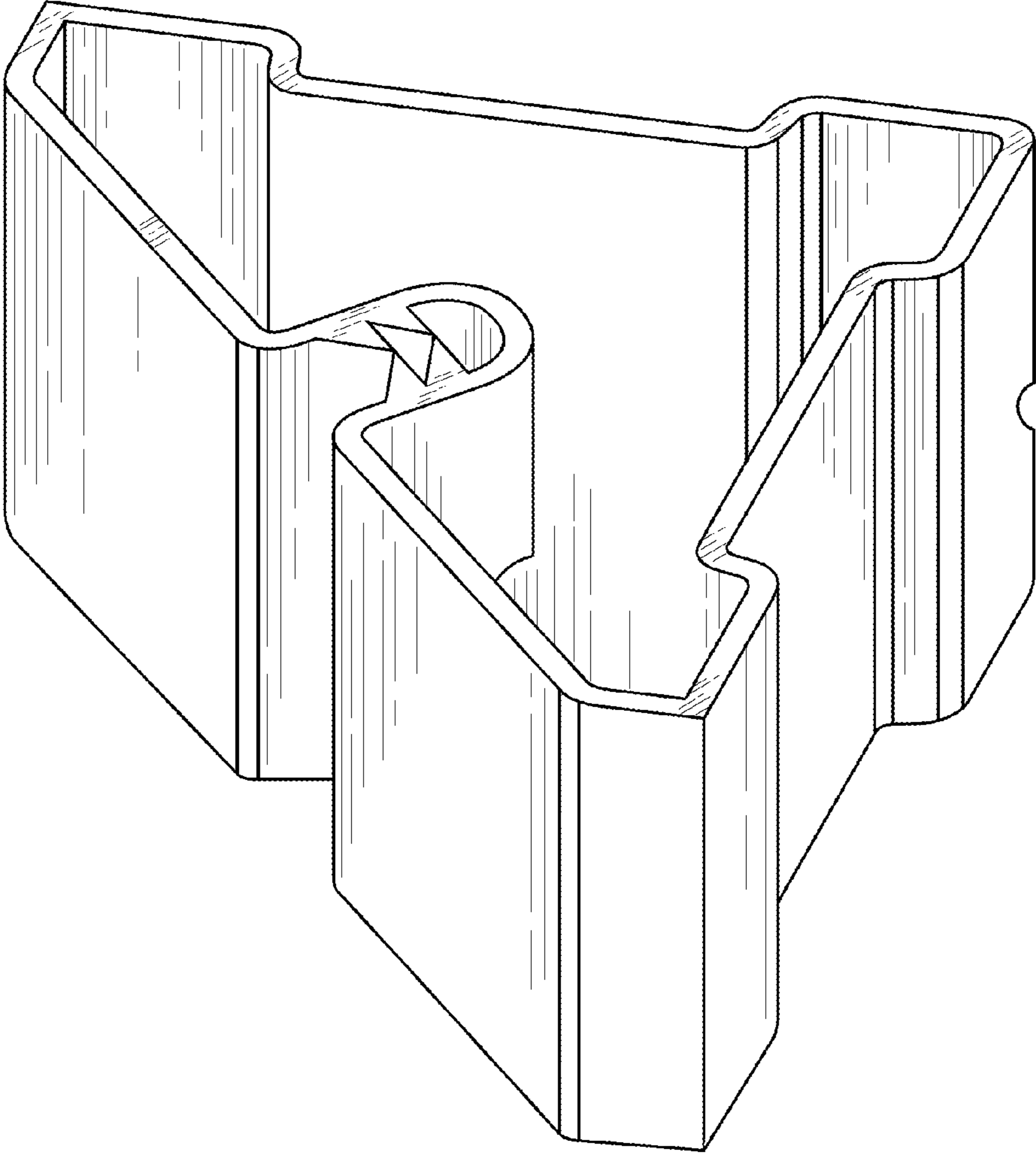


Figure 1

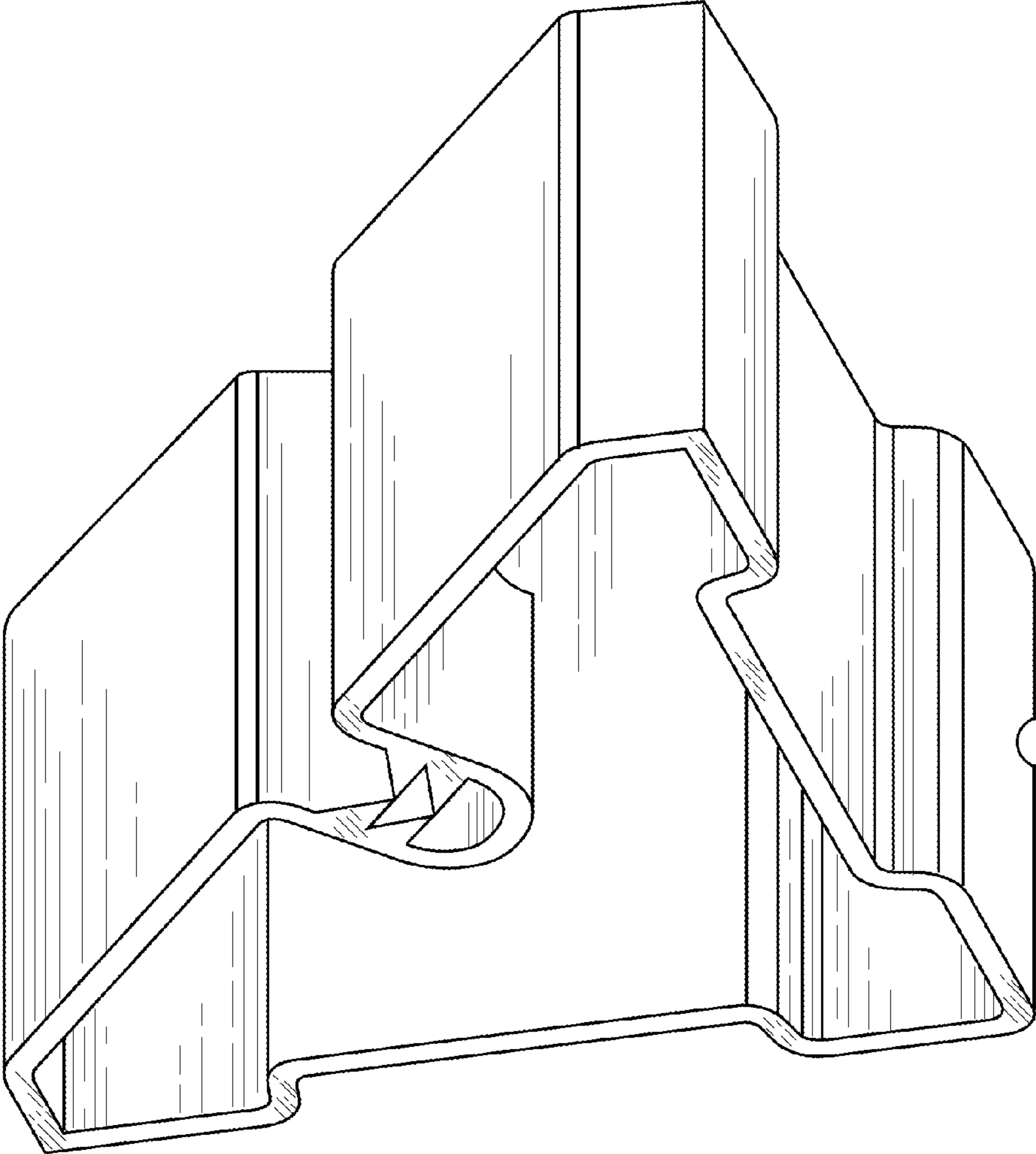


Figure 2

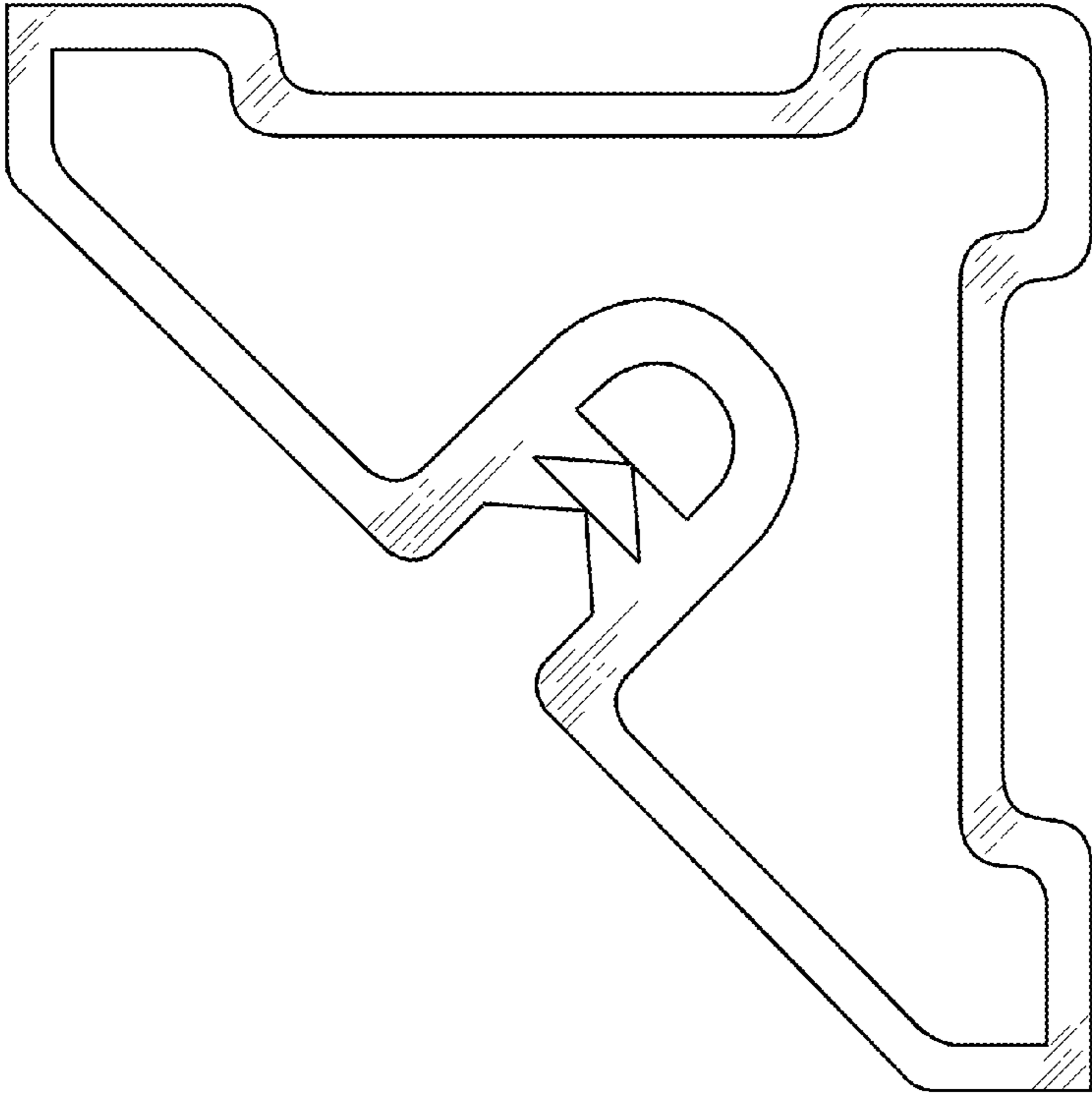


Figure 3

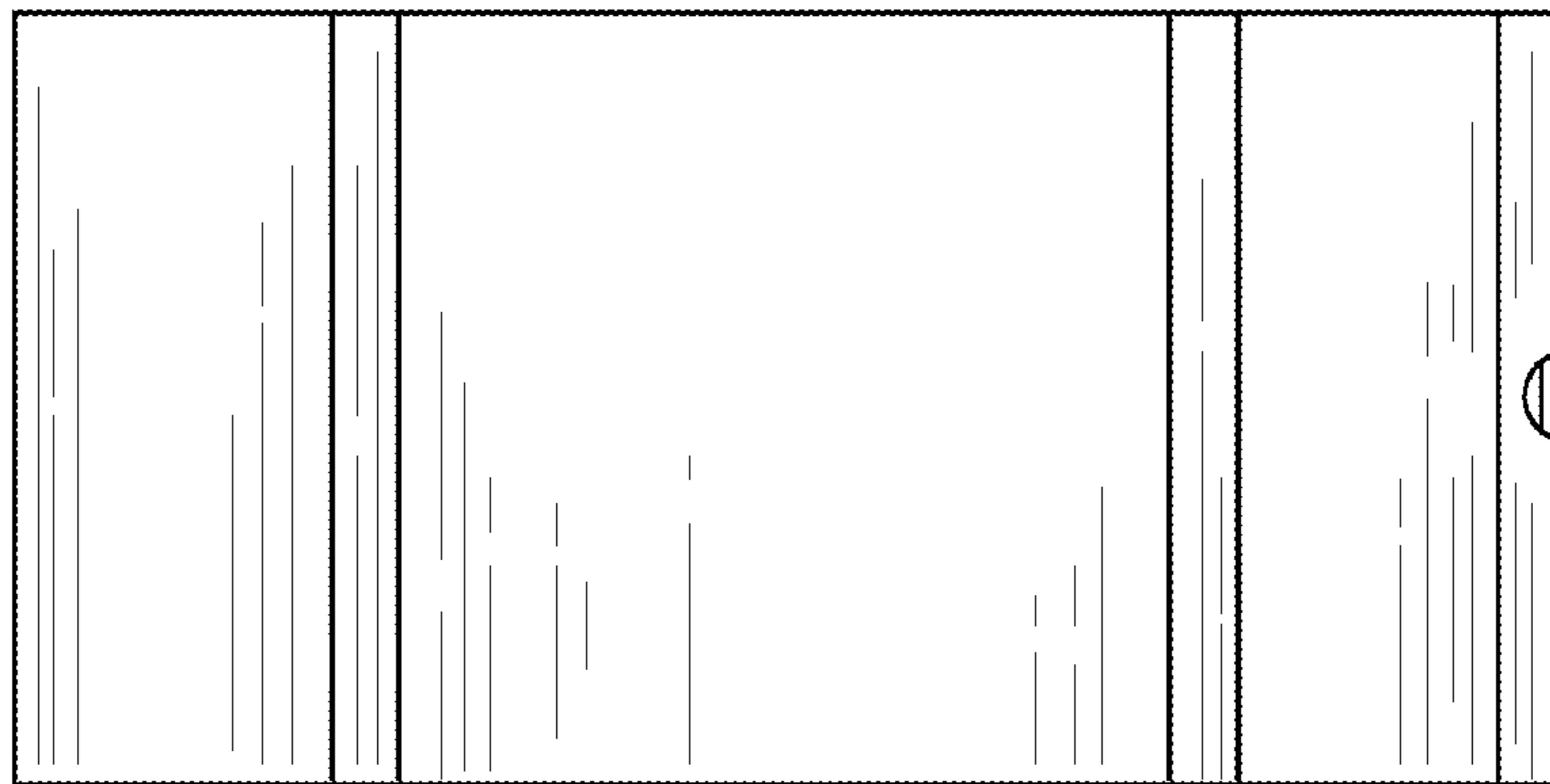


Figure 4

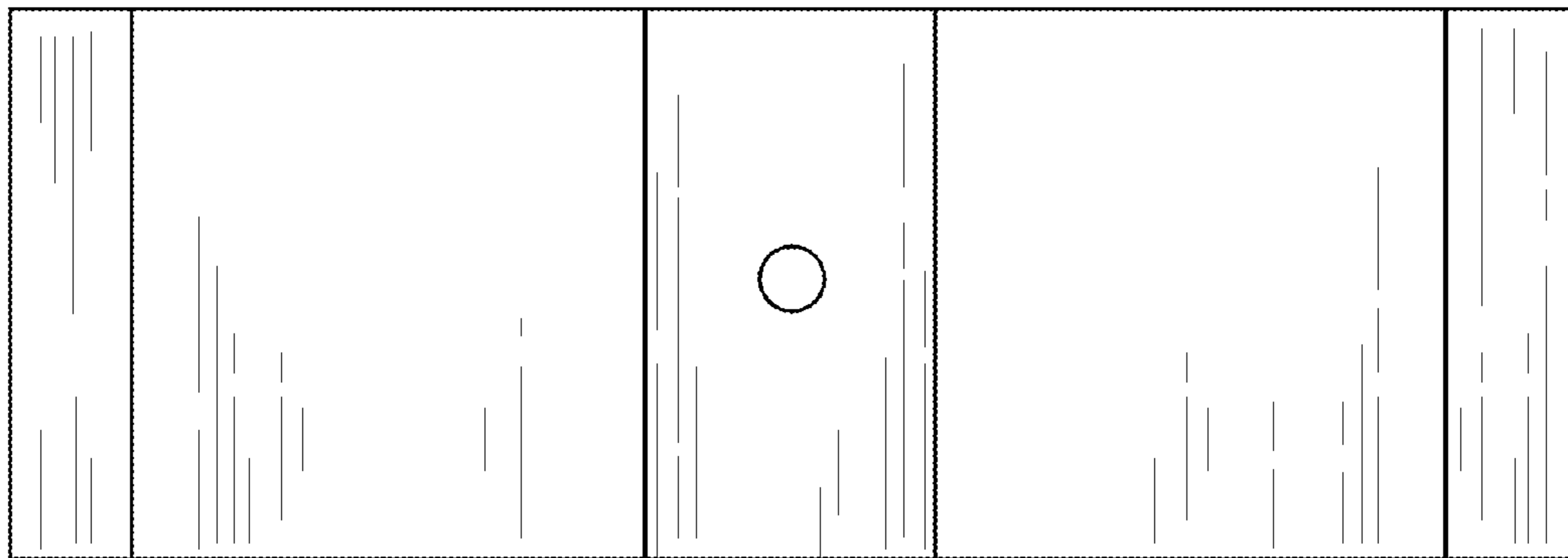


Figure 5

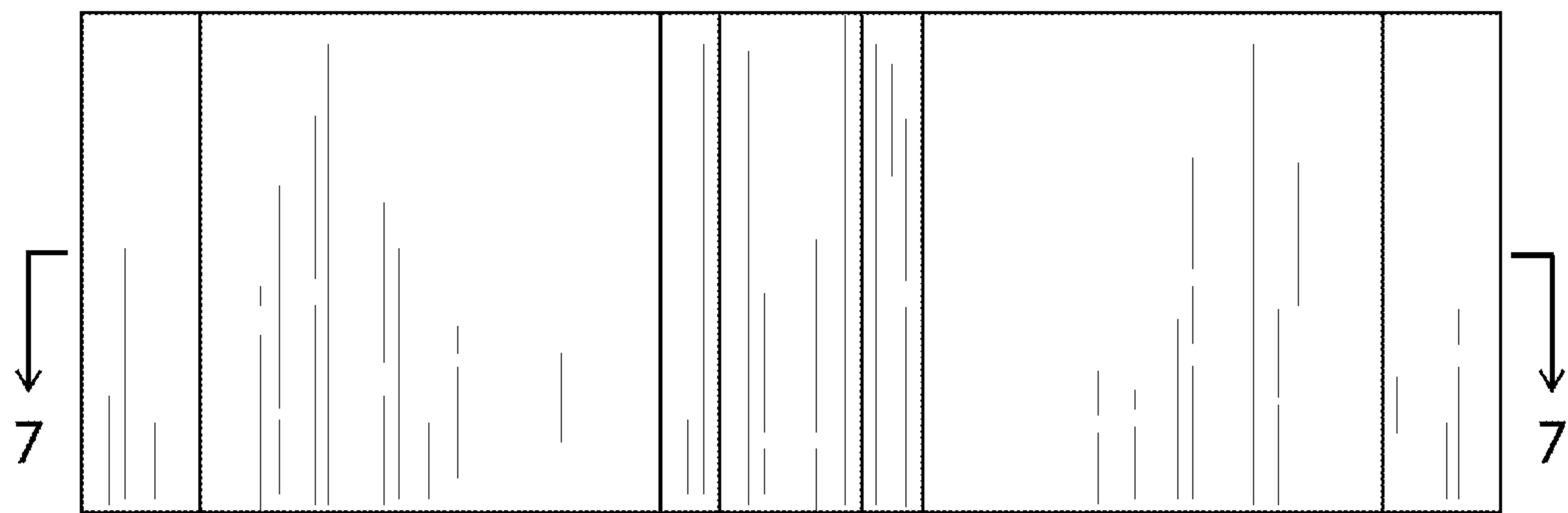


Figure 6

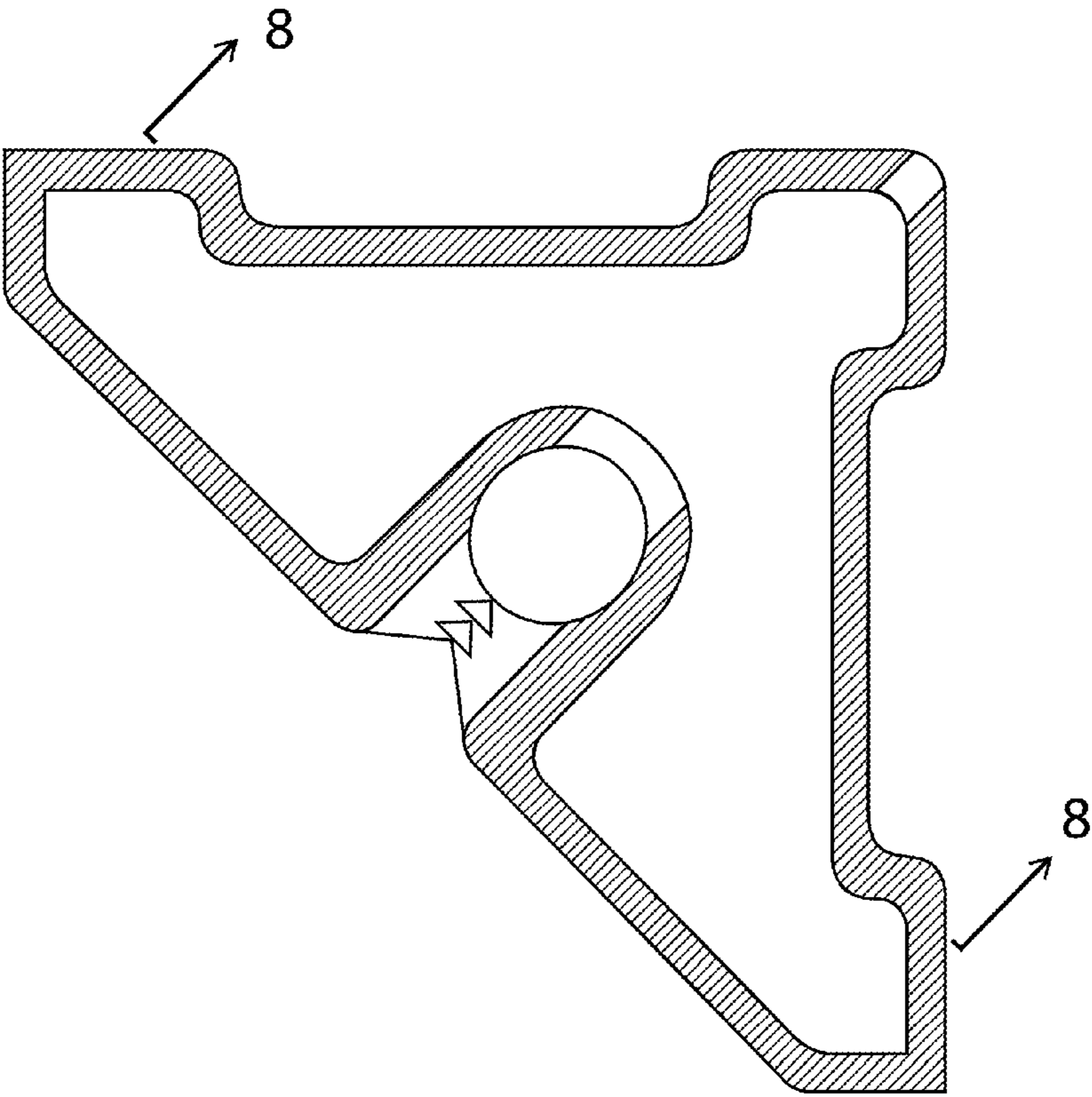


Figure 7

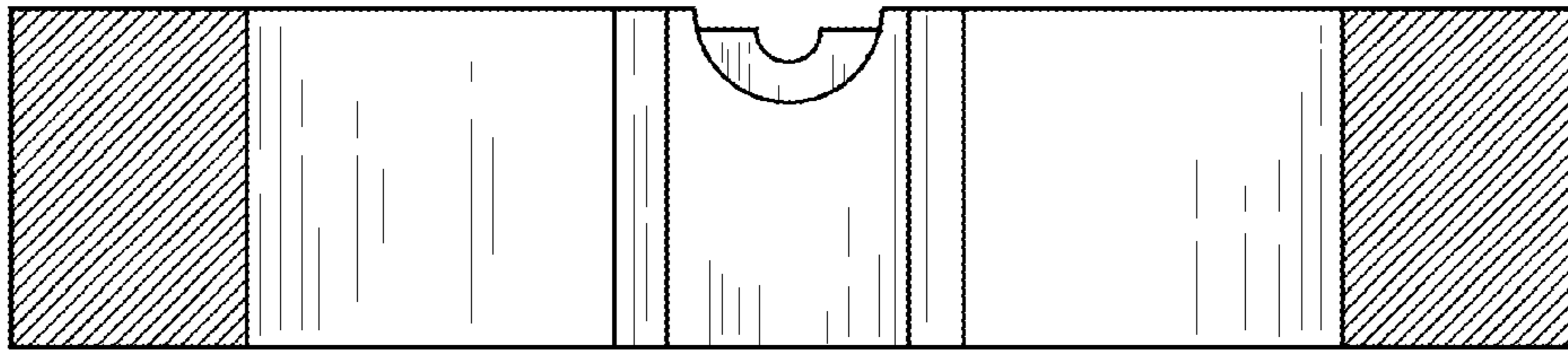


Figure 8

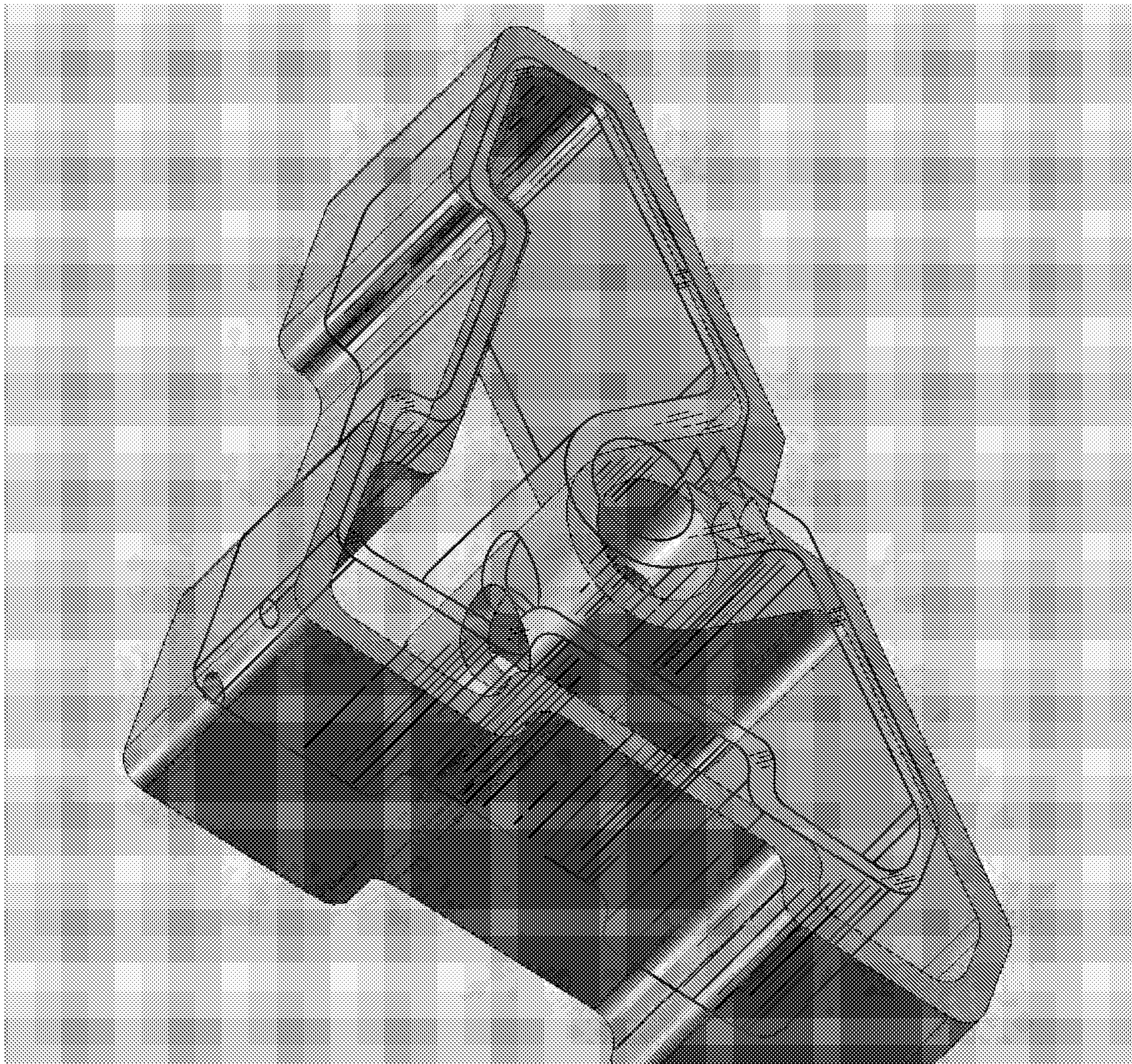


Figure 9