

US00D686055S

(12) **United States Design Patent**
Li

(10) **Patent No.:** **US D686,055 S**

(45) **Date of Patent:** **** Jul. 16, 2013**

(54) **LOCK**

(76) Inventor: **Jingong Li**, Guangdong (CN)

(**) Term: **14 Years**

(21) Appl. No.: **29/426,471**

(22) Filed: **Jul. 6, 2012**

(51) **LOC (9) Cl.** **08-07**

(52) **U.S. Cl.**
USPC **D8/338; D8/331**

(58) **Field of Classification Search**
USPC D8/330, 331, 336, 338, 339, 340,
D8/343; 70/14, 2, 51, 57, 57.1, 91, 107, 141;
292/2, 32, 137, 288, 289, 290, 292
See application file for complete search history.

(56) **References Cited**

U.S. PATENT DOCUMENTS

3,187,528	A *	6/1965	Check	70/299
3,416,338	A *	12/1968	Gehrie	70/312
D263,279	S *	3/1982	Stolarz	D8/338
D309,248	S *	7/1990	MacFarlane	D8/338
D348,210	S *	6/1994	Bonzer	D8/338
D354,428	S *	1/1995	Magnusson	D8/331

5,475,996	A *	12/1995	Chen	70/279.1
6,058,746	A *	5/2000	Mirshafiee et al.	70/107
D433,920	S *	11/2000	Chang	D8/331
D444,372	S *	7/2001	Segawa	D8/338
D560,467	S *	1/2008	Pattison	D8/331
D580,739	S *	11/2008	Pelletier et al.	D8/331
D639,636	S *	6/2011	Krakoff	D8/338

* cited by examiner

Primary Examiner — Prabhakar Deshmukh

(74) *Attorney, Agent, or Firm* — George G. Wang; Bei & Ocean

(57) **CLAIM**

The ornamental design for a lock, as shown and described.

DESCRIPTION

FIG. 1 is a front perspective view of a lock showing my new design;

FIG. 2 is a rear perspective view thereof;

FIG. 3 is a front elevational view thereof;

FIG. 4 is a left side elevational view thereof;

FIG. 5 is a rear elevational view thereof; and,

FIG. 6 is a top plan view thereof.

The broken lines environment is for illustrative purpose only and forms no part of the claimed design.

1 Claim, 6 Drawing Sheets

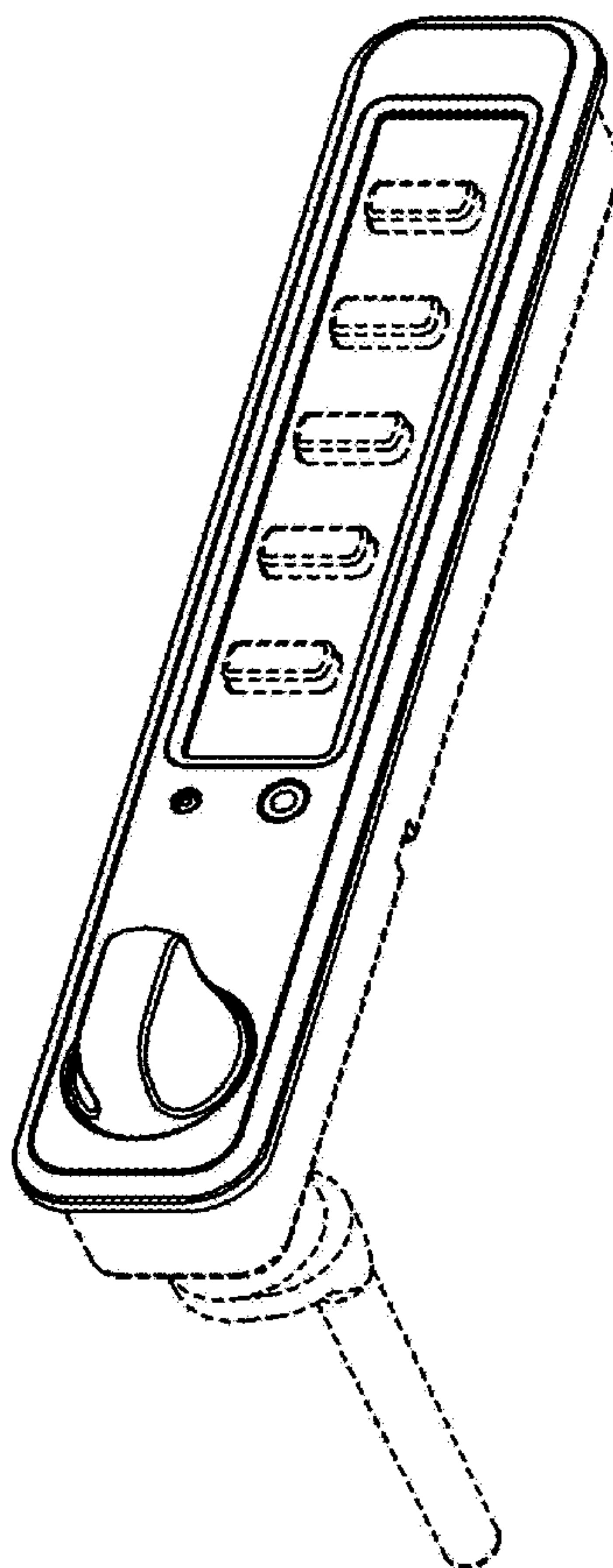


FIG. 1

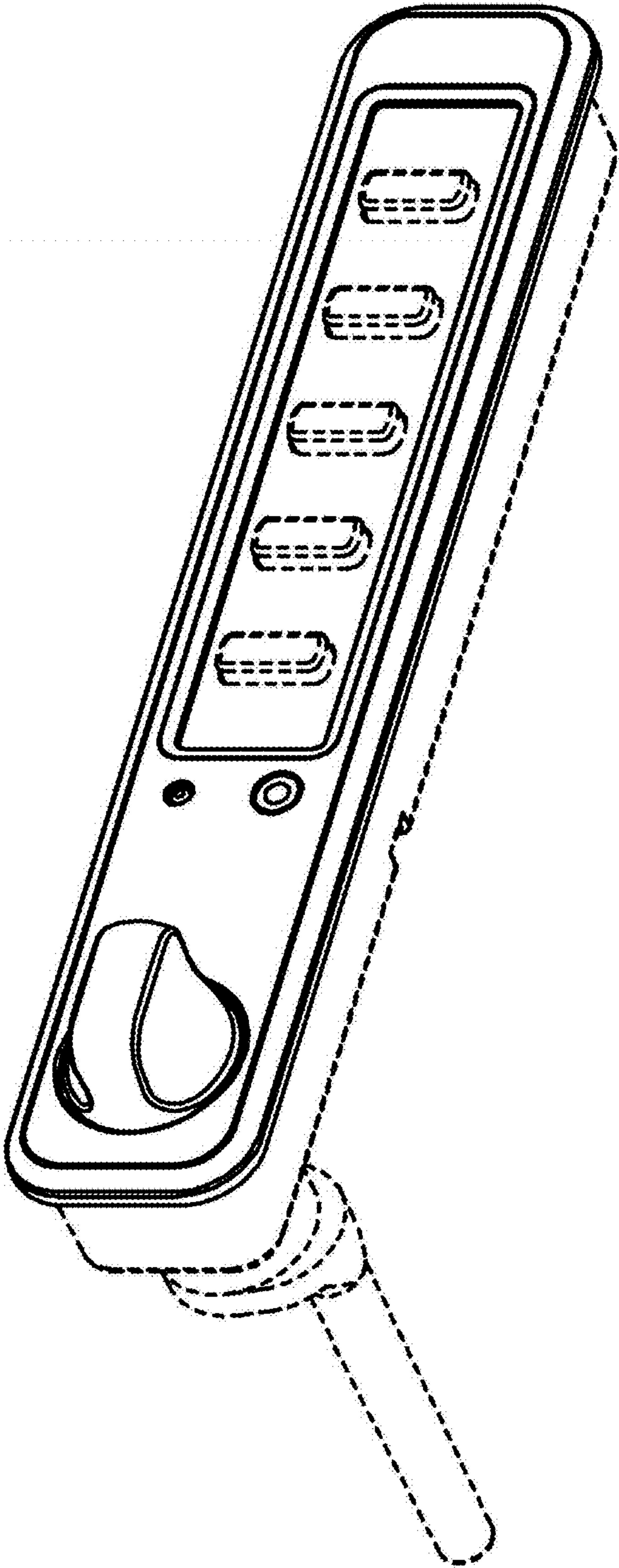


FIG. 2

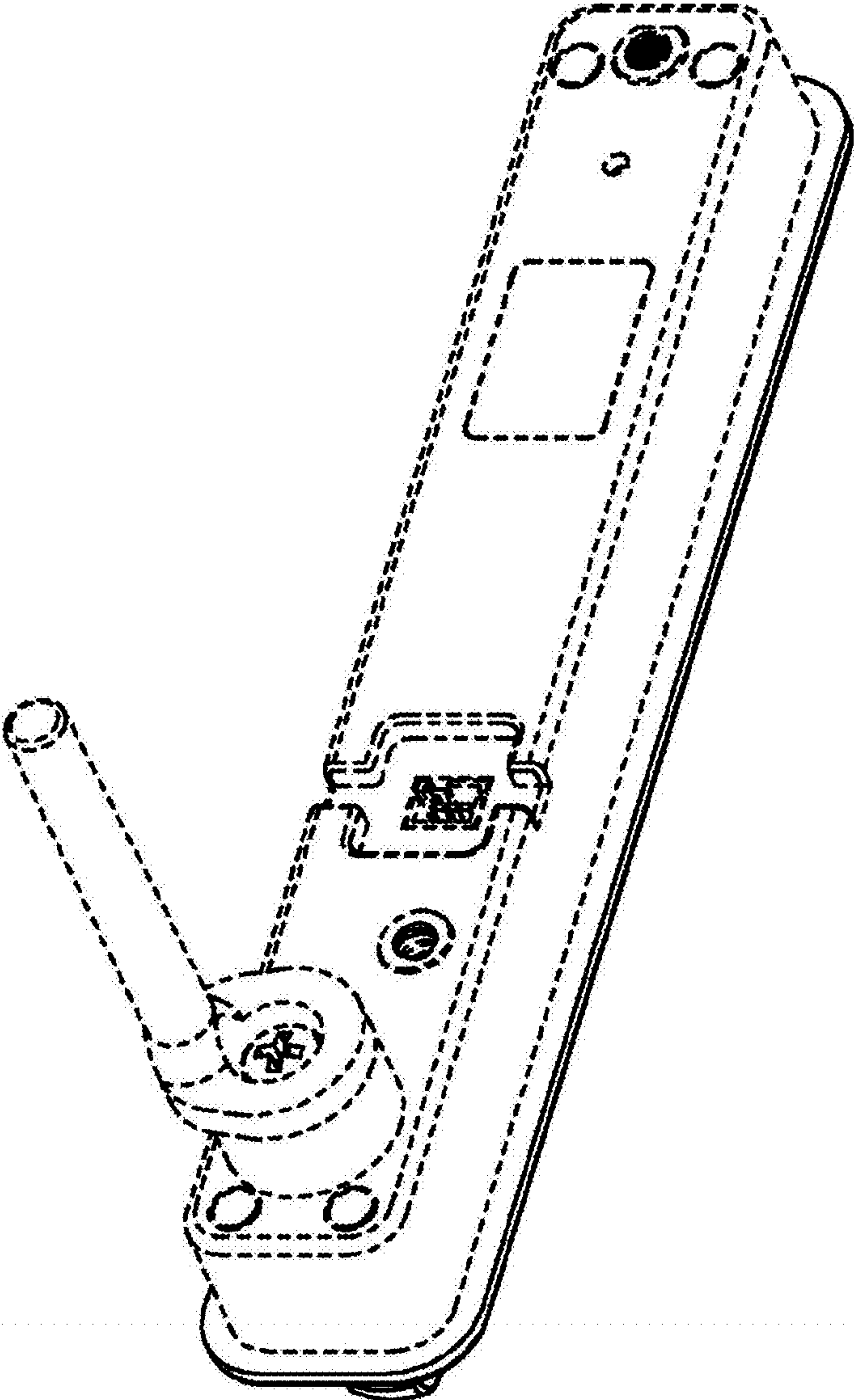


FIG. 3

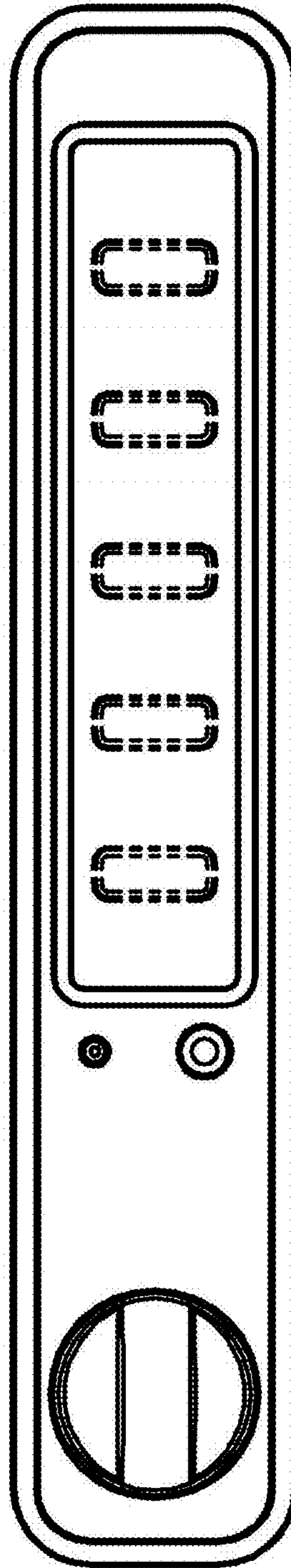


FIG. 4

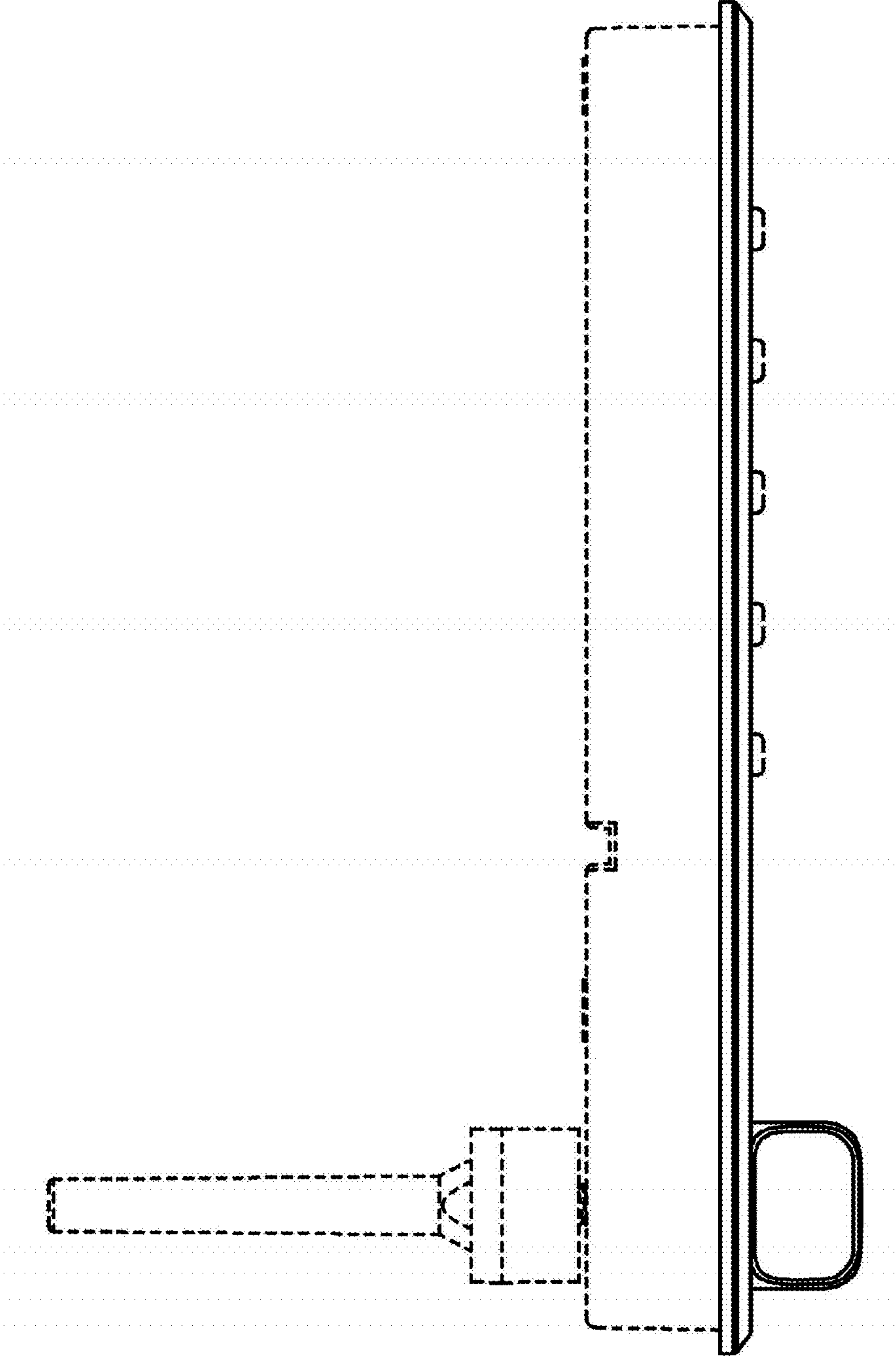


FIG. 5

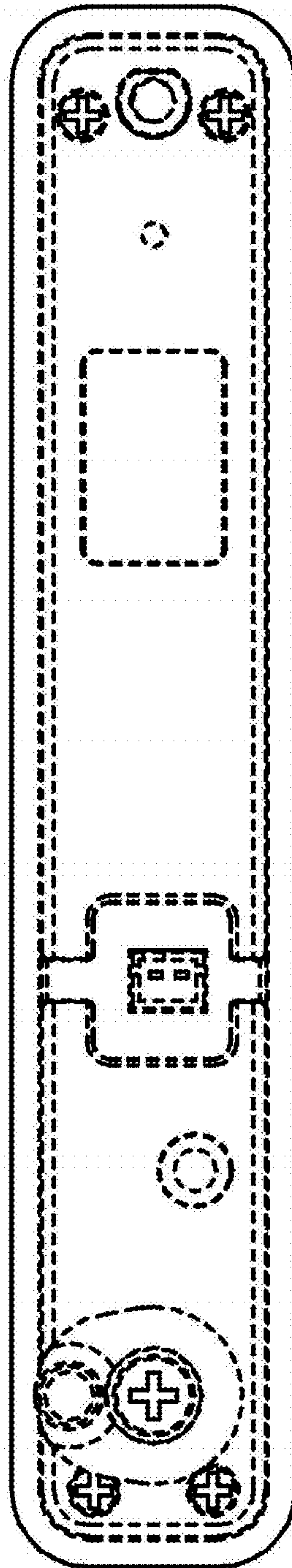


FIG. 6

