



US00D686054S

(12) **United States Design Patent**  
**Rohde**

(10) **Patent No.:** **US D686,054 S**  
(45) **Date of Patent:** **\*\* Jul. 16, 2013**

(54) **LOCKOUT DEVICE**

(74) *Attorney, Agent, or Firm* — Quarles & Brady LLP

(75) Inventor: **Christopher J. Rohde**, West Allis, WI  
(US)

(57) **CLAIM**

The ornamental design for a lockout device, as shown and described.

(73) Assignee: **Brady Worldwide, Inc.**, Milwaukee, WI  
(US)

(\*\*) Term: **14 Years**

**DESCRIPTION**

(21) Appl. No.: **29/409,453**

(22) Filed: **Dec. 22, 2011**

(51) **LOC (9) Cl.** ..... **08-07**

(52) **U.S. Cl.**  
USPC ..... **D8/330; D8/333**

(58) **Field of Classification Search**  
USPC ..... D8/330–333, 339–343, 349, 382,  
D8/383, 394, 396; 70/14–16, 19, 57, 57.1,  
70/58, 141, 158, 224, 225, 226, 233, 431,  
70/416, 465; 292/246–256, 299, 307 R  
See application file for complete search history.

FIG. 1 is a right, top, front perspective view of a lockout device embodying my new design;  
FIG. 2 is a right side elevational view thereof, the left side elevational view thereof being a mirror image of the right side shown;  
FIG. 3 is a front elevational view thereof;  
FIG. 4 is a rear elevational view thereof;  
FIG. 5 is a top plan view thereof;  
FIG. 6 is bottom plan view thereof;  
FIG. 7 is a right, top, front perspective view of a first part of the lockout device of FIG. 1 according to my new design;  
FIG. 8 is a front elevational view thereof;  
FIG. 9 is a rear elevational view thereof;  
FIG. 10 is a right side elevational view thereof, the left side elevational view thereof being a mirror image of the right side shown;  
FIG. 11 is a top plan view thereof;  
FIG. 12 is bottom plan view thereof;  
FIG. 13 is a right, top, front perspective view of a second part of the lockout device of FIG. 1 according my new design;  
FIG. 14 is a front elevational view thereof;  
FIG. 15 is a rear elevational view thereof;  
FIG. 16 is a right side elevational view thereof, the left side elevational view thereof being a mirror image of the right side shown;  
FIG. 17 is a top plan view thereof; and,  
FIG. 18 is bottom plan view thereof.  
The broken line representations in the figures are for the purpose of illustrating unclaimed surfaces or environment and do not form part of the claimed design.

(56) **References Cited**

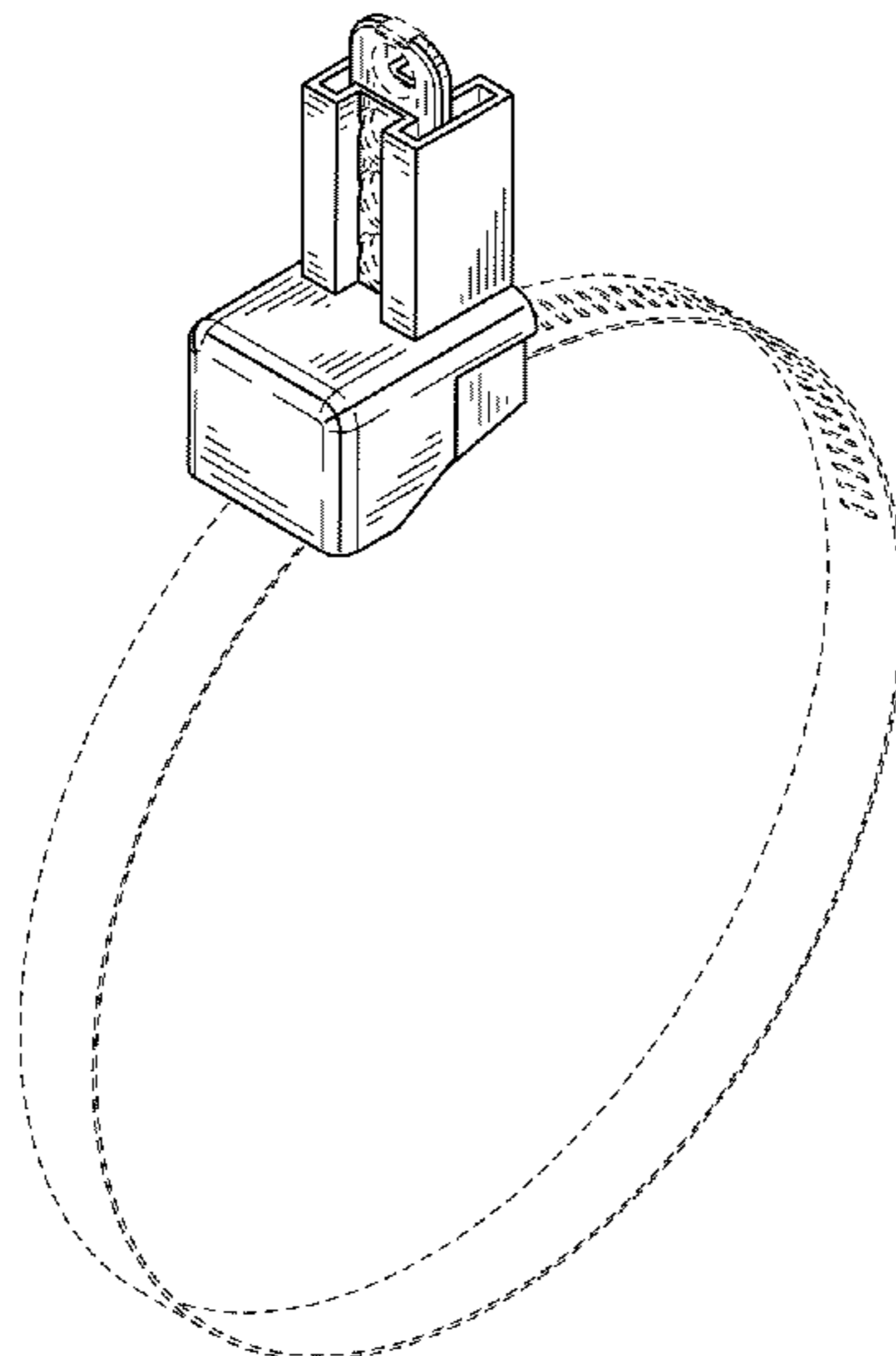
**U.S. PATENT DOCUMENTS**

D296,414	S *	6/1988	DeWalch	.....	D8/333
5,207,595	A *	5/1993	Learmont et al.	.....	439/517
D344,441	S *	2/1994	Mahaney	.....	D8/333
D352,821	S *	11/1994	Stillwagon	.....	D3/207
5,823,027	A *	10/1998	Glick et al.	.....	70/278.2
D419,054	S *	1/2000	Curwood	.....	D8/382
6,981,443	B2 *	1/2006	Tillaart	.....	100/9
7,500,701	B2 *	3/2009	Lalancette et al.	.....	292/256.67
7,930,913	B2 *	4/2011	Meyer et al.	.....	70/164
D637,891	S *	5/2011	Chikiri	.....	D8/356
7,961,099	B2 *	6/2011	Rendon et al.	.....	340/572.1
7,980,201	B2 *	7/2011	Muelken	.....	119/792
D665,244	S *	8/2012	Weinerman et al.	.....	D8/331

\* cited by examiner

*Primary Examiner* — Prabhakar Deshmukh

**1 Claim, 8 Drawing Sheets**



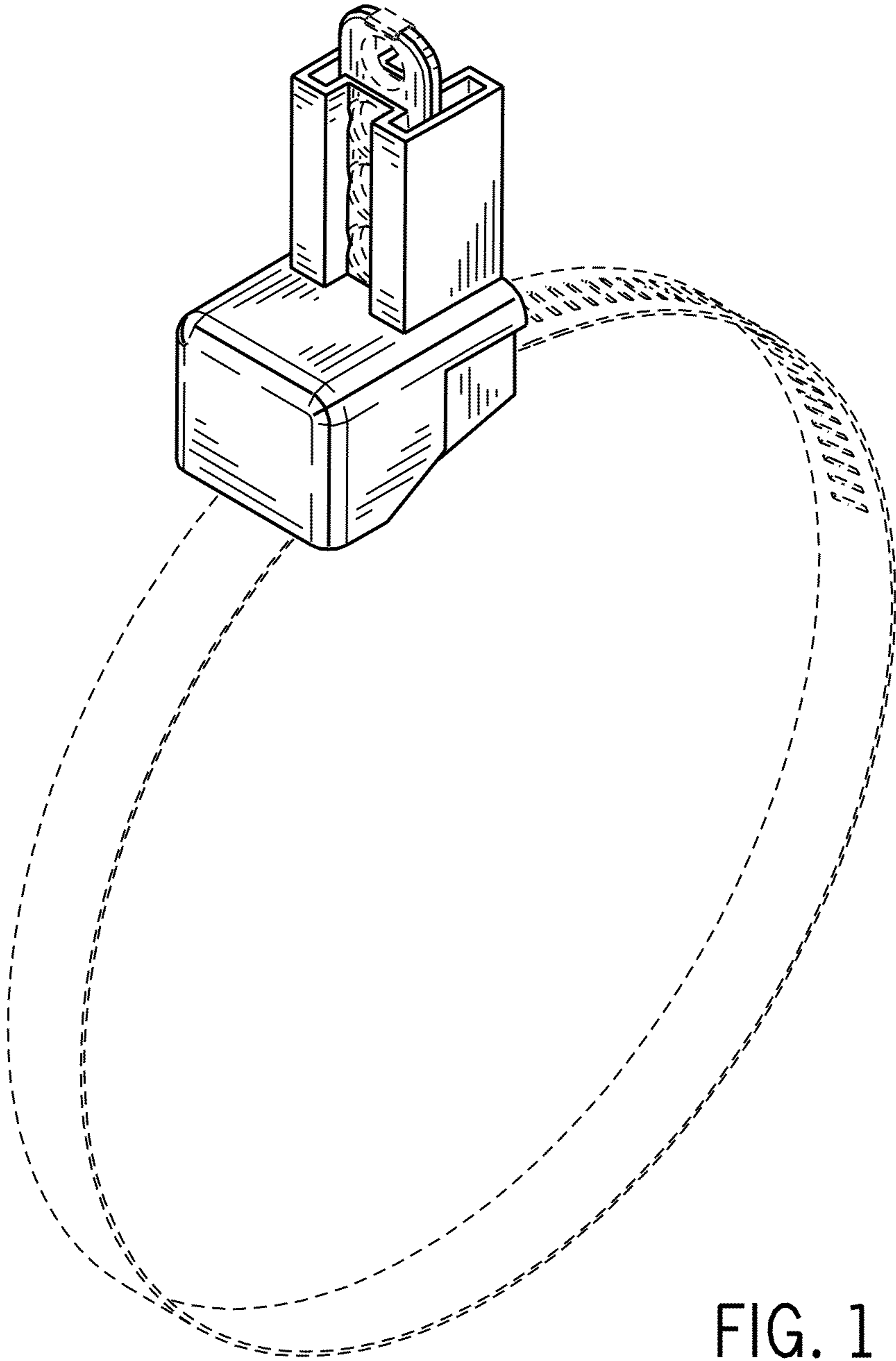


FIG. 1

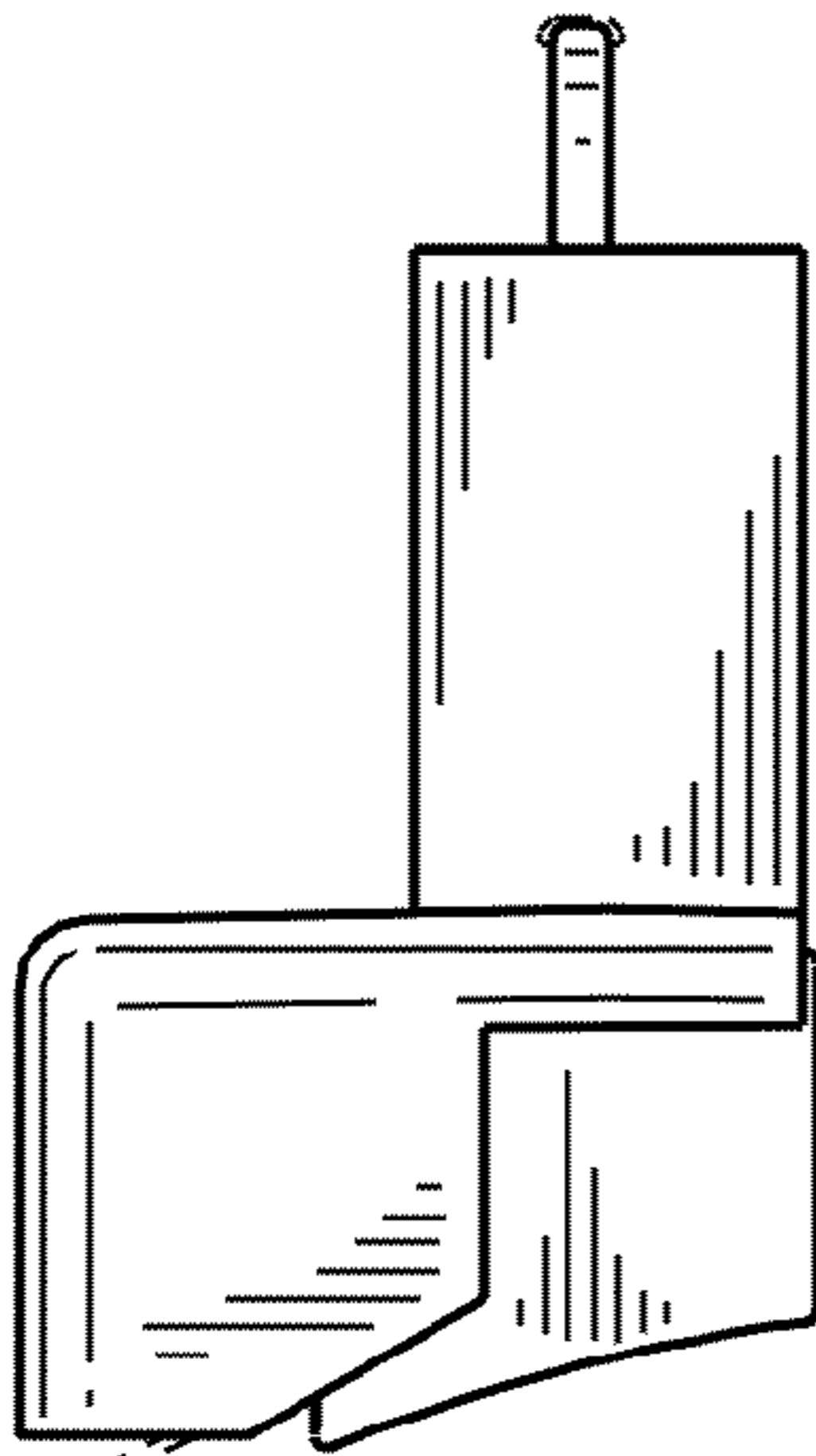
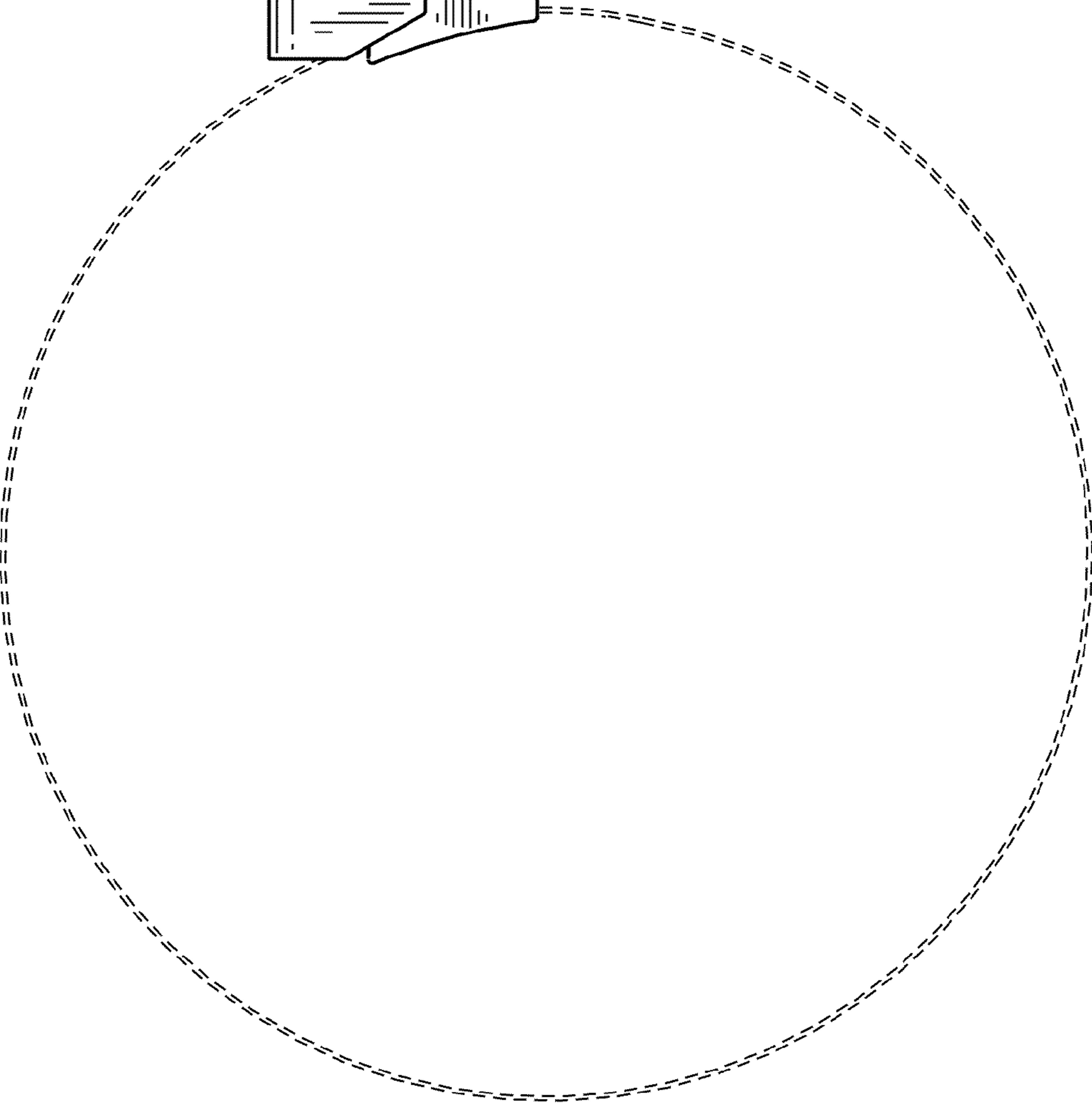


FIG. 2



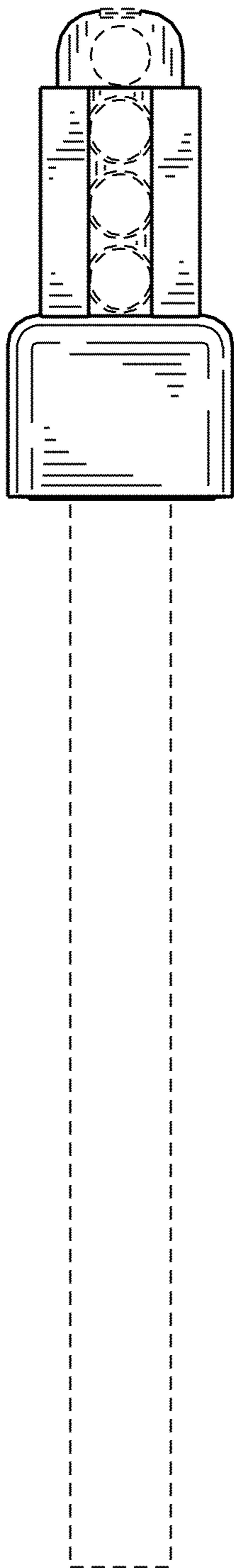


FIG. 3

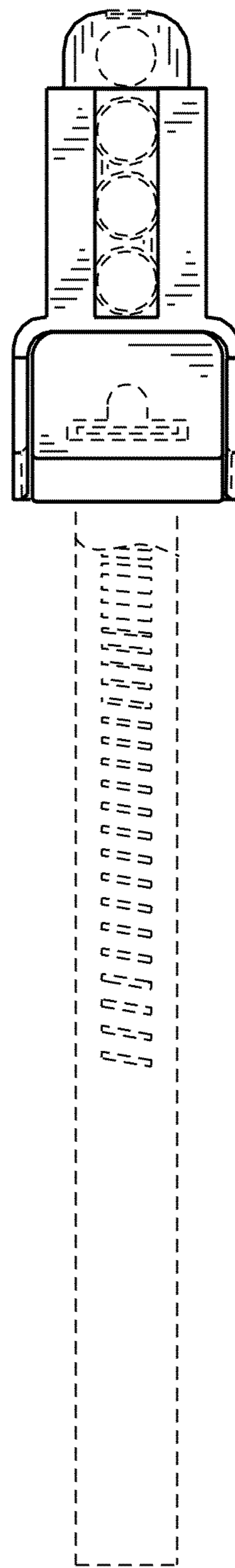


FIG. 4

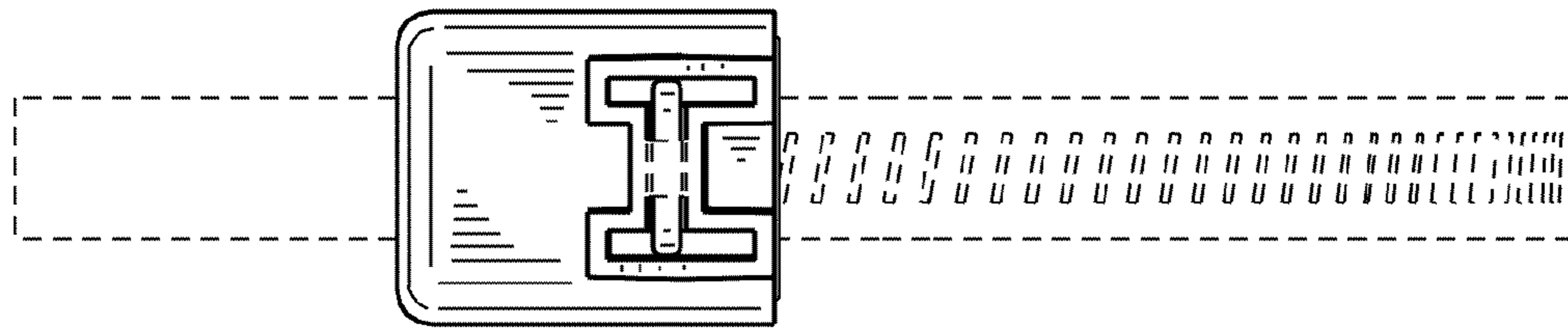


FIG. 5

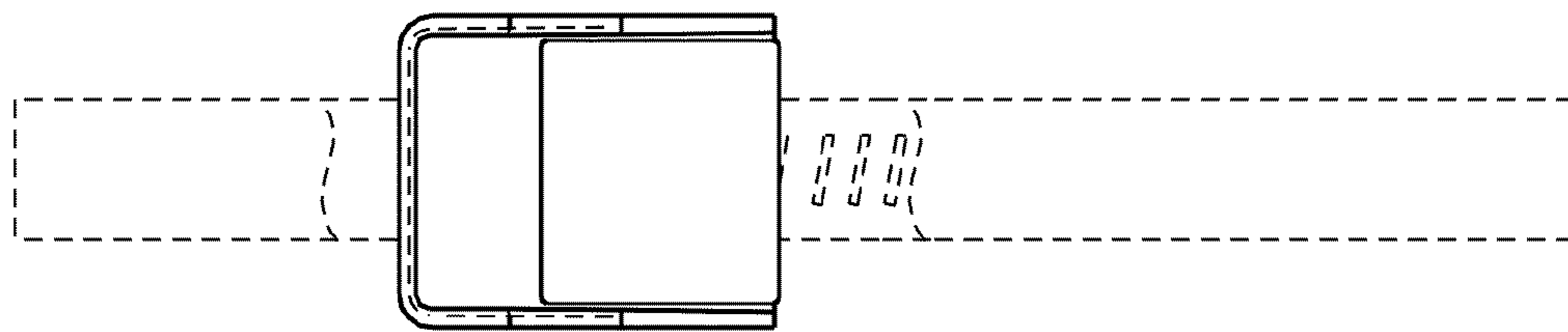


FIG. 6

FIG. 7

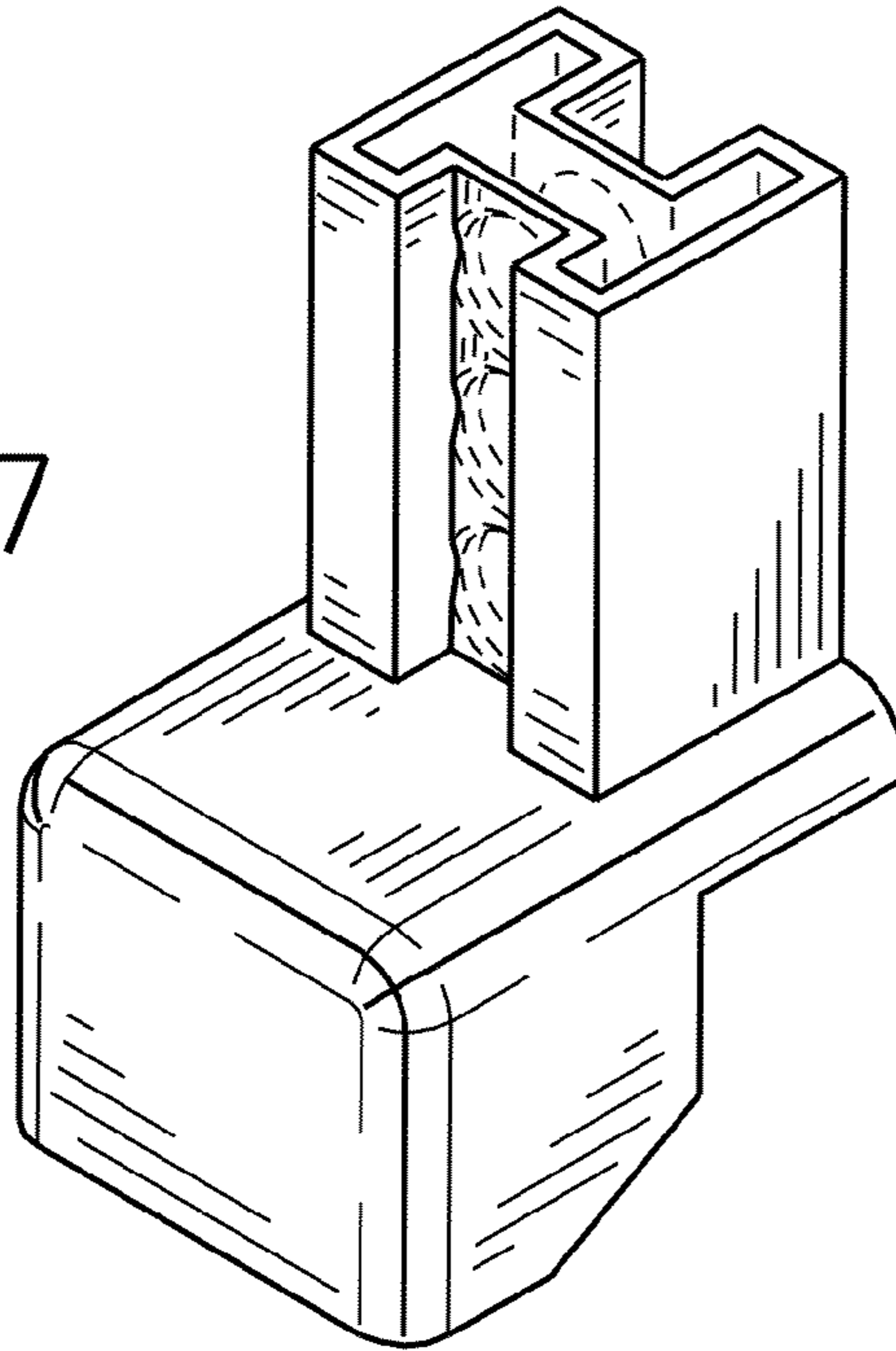


FIG. 8

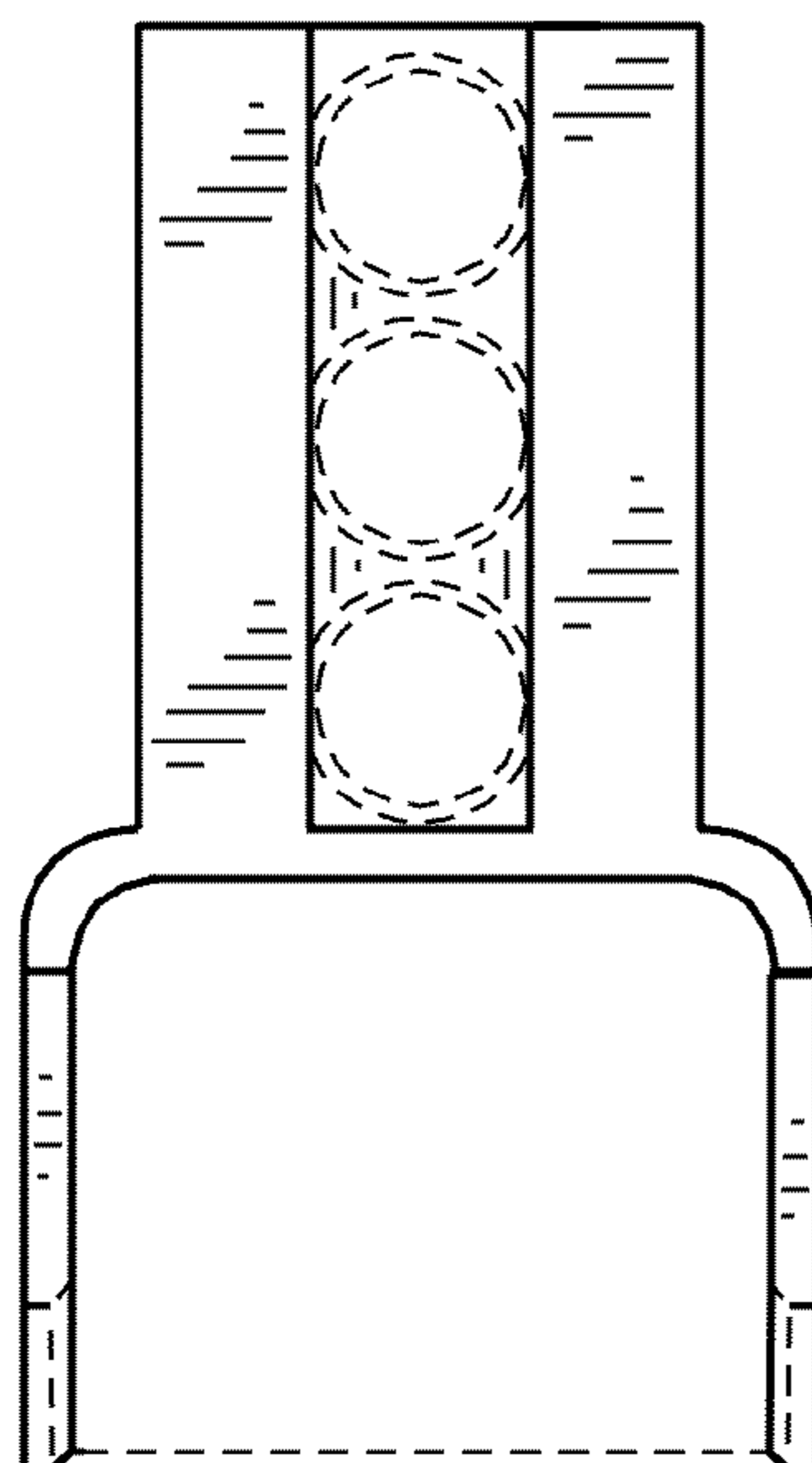
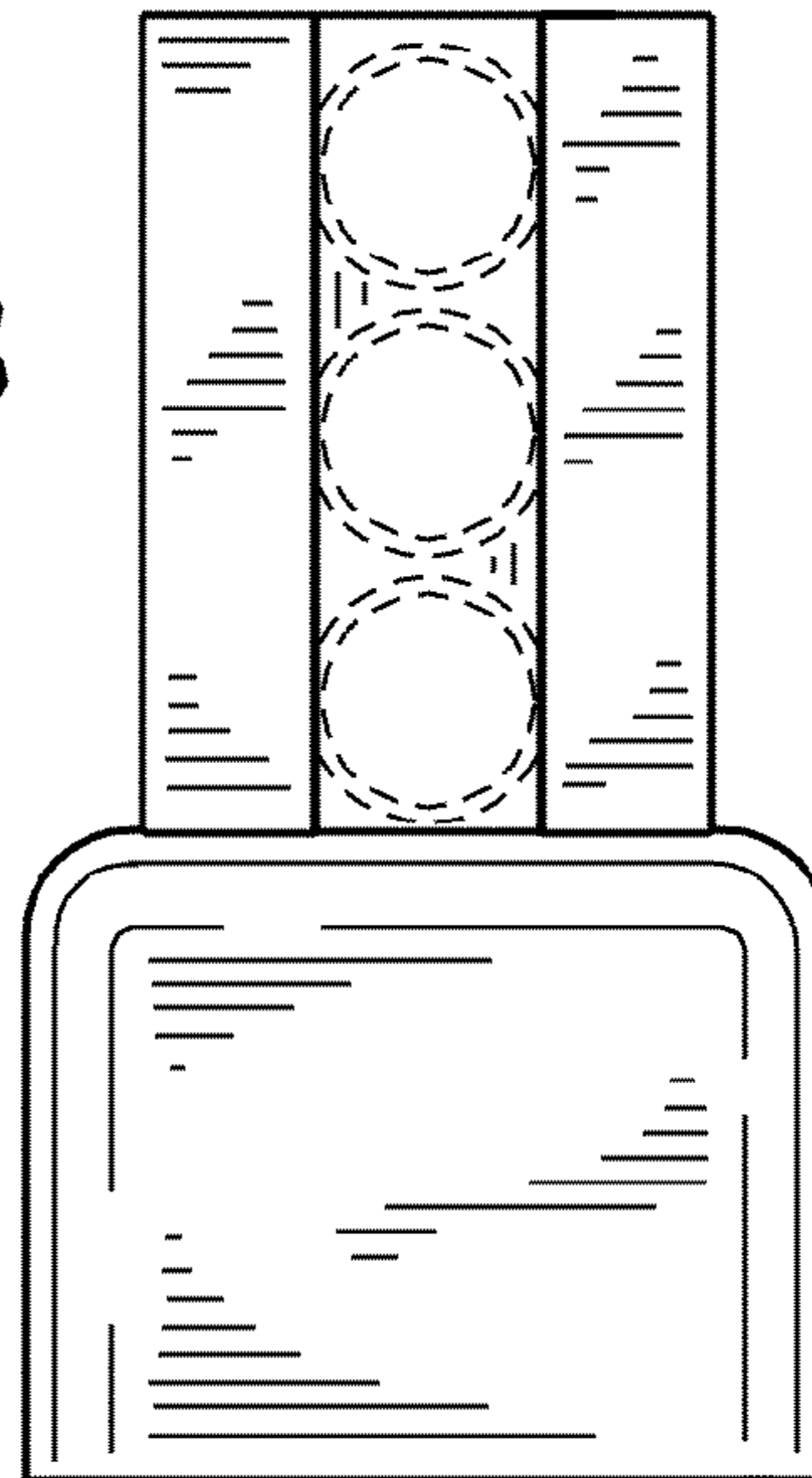


FIG. 9

FIG. 10

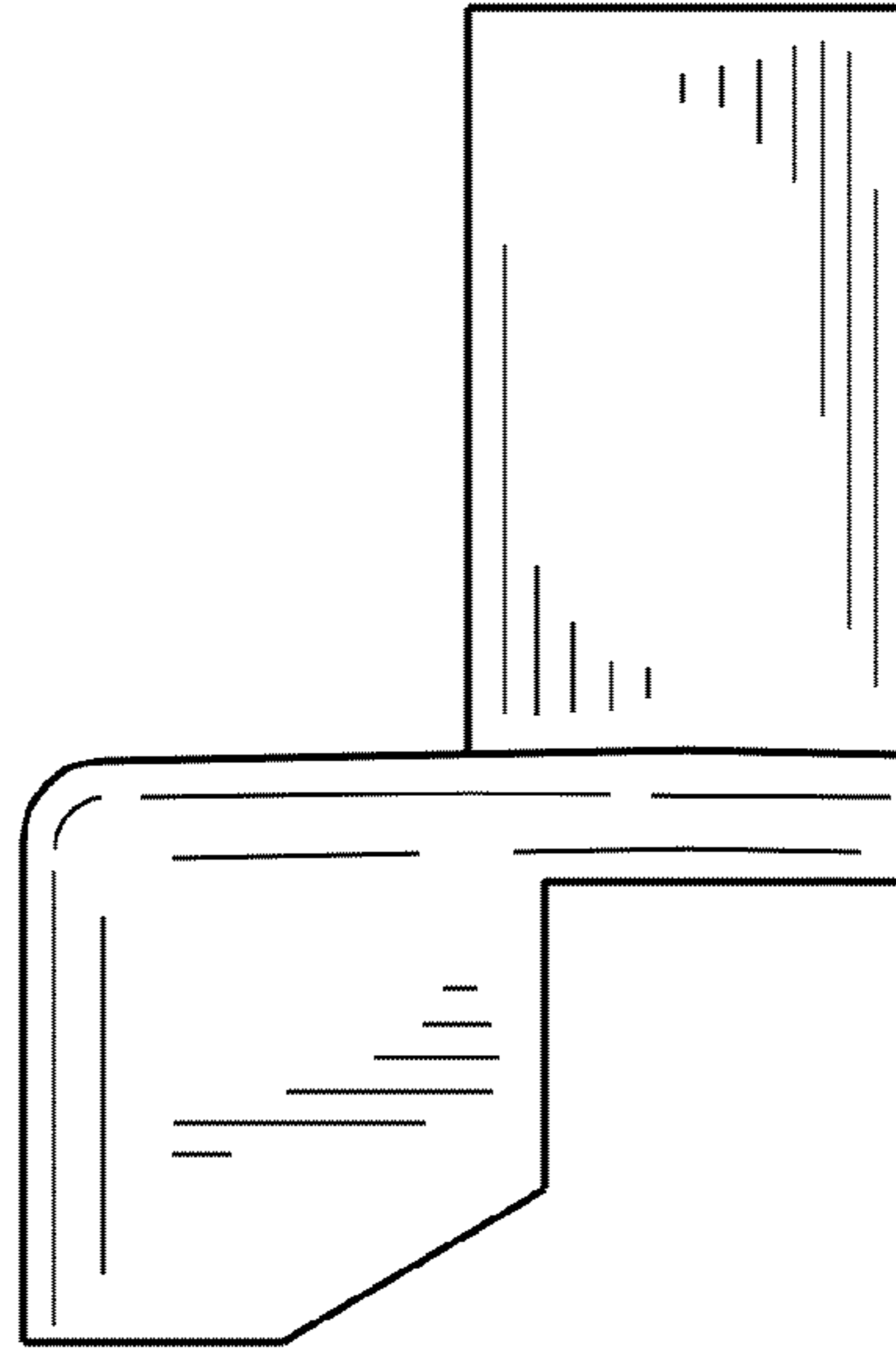


FIG. 11

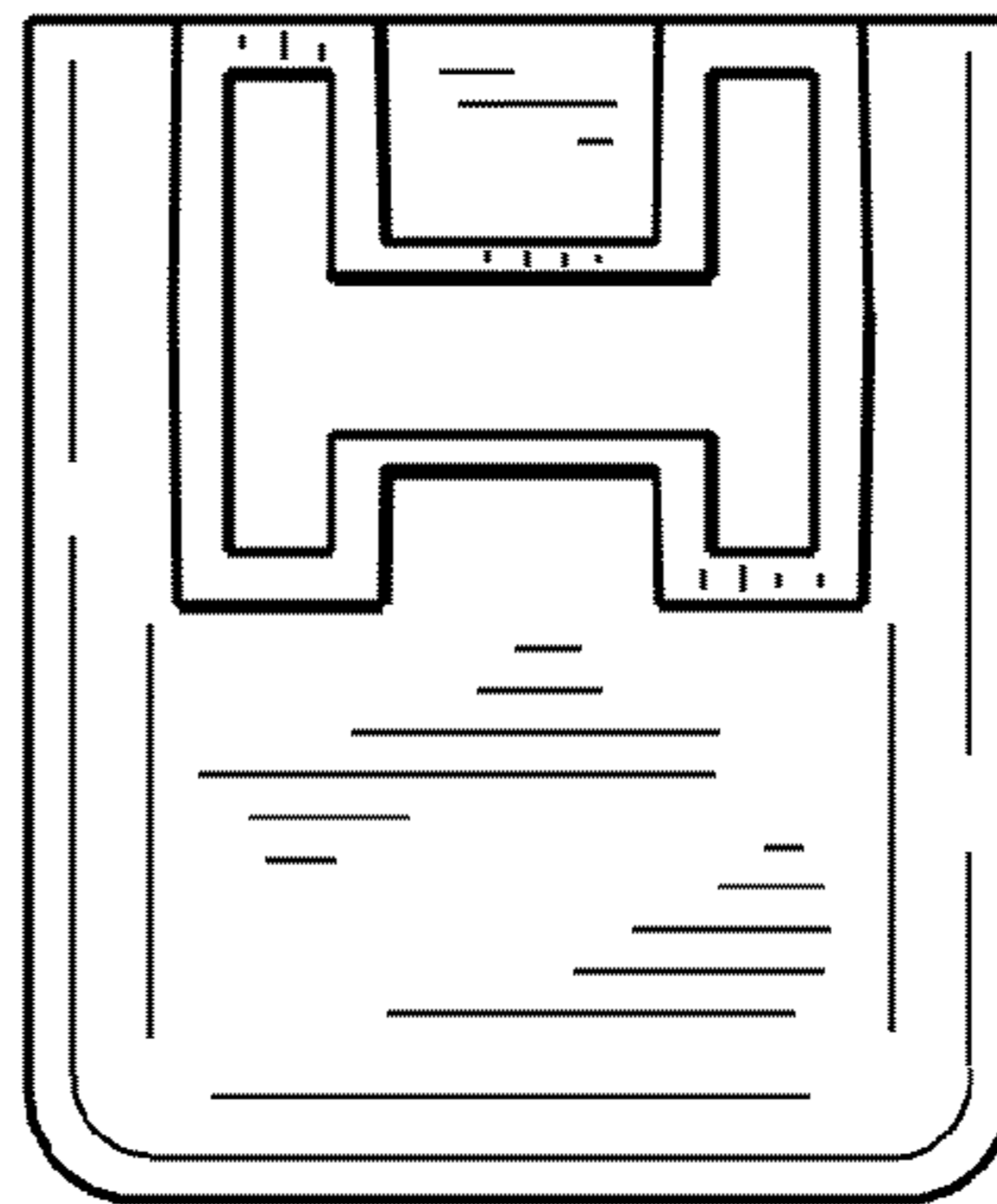


FIG. 12

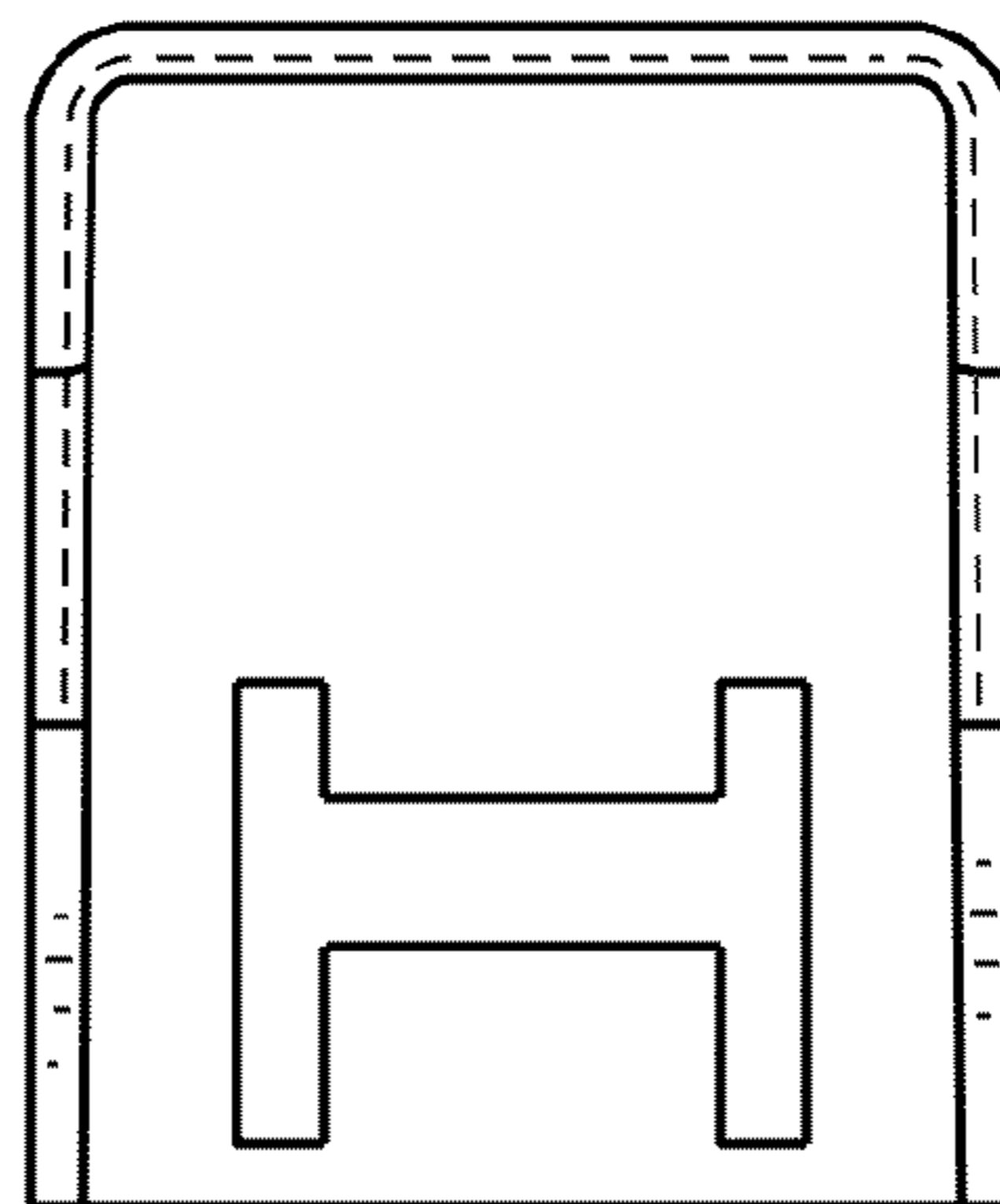


FIG. 13

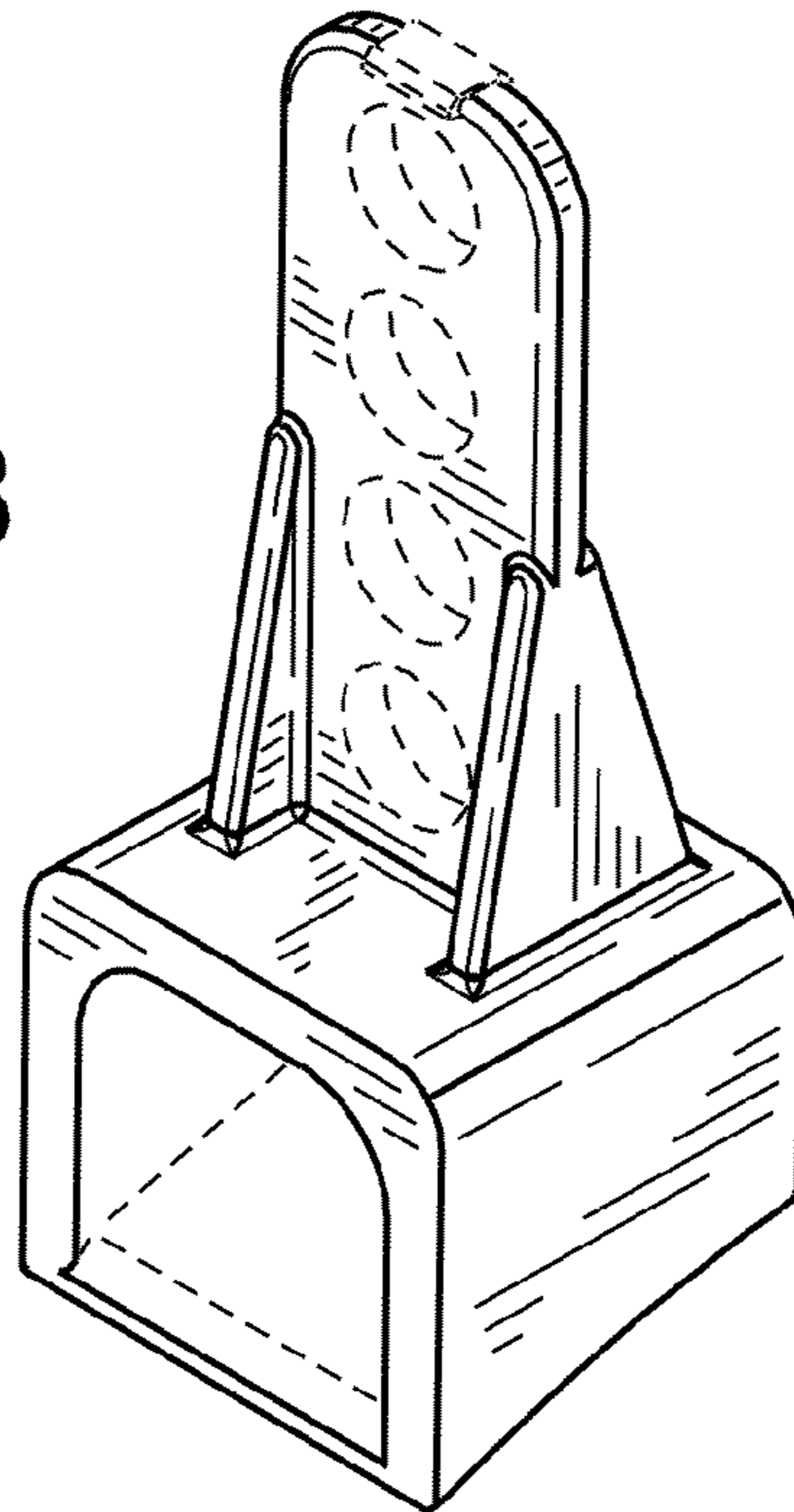


FIG. 14

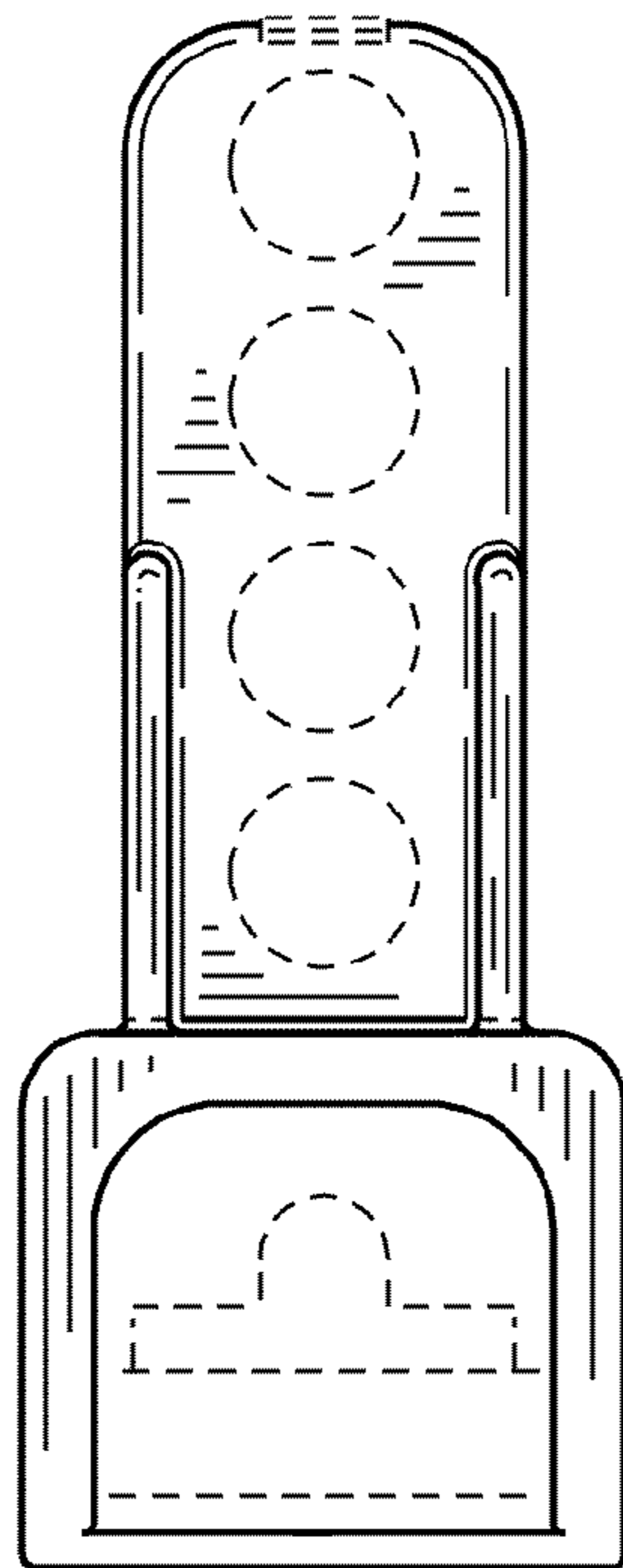


FIG. 15

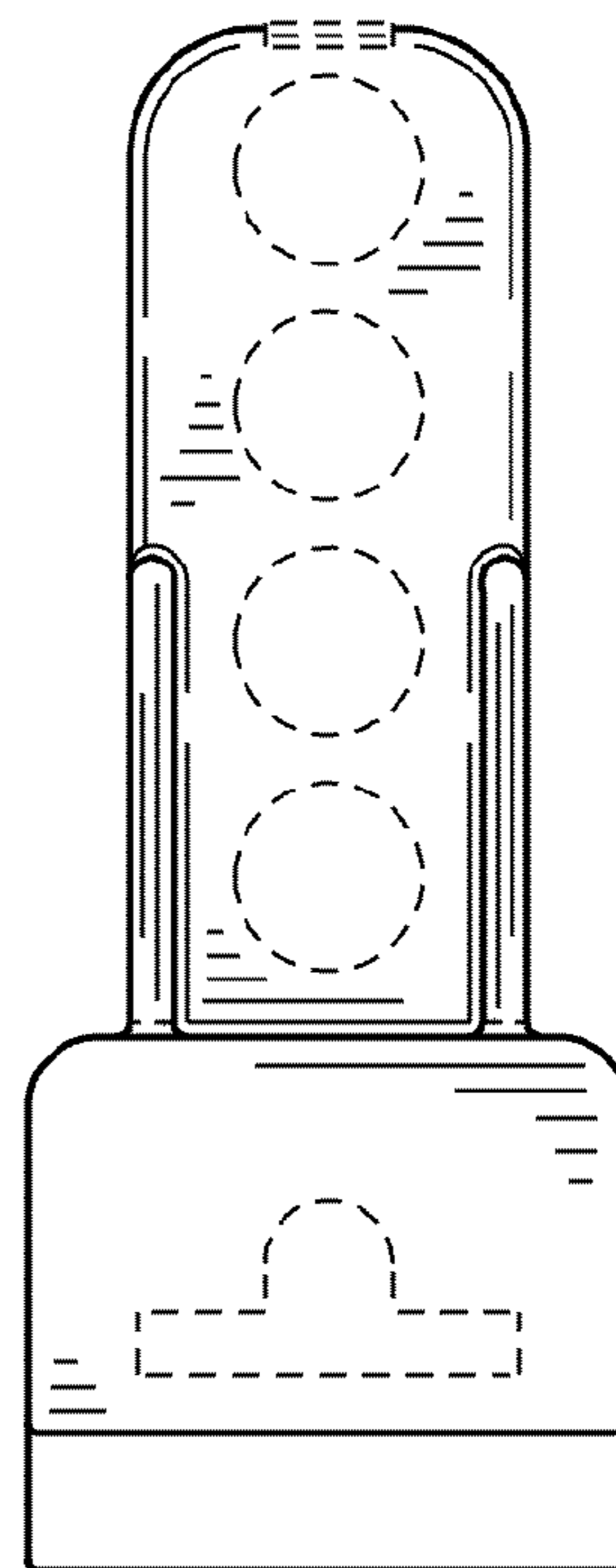




FIG. 16

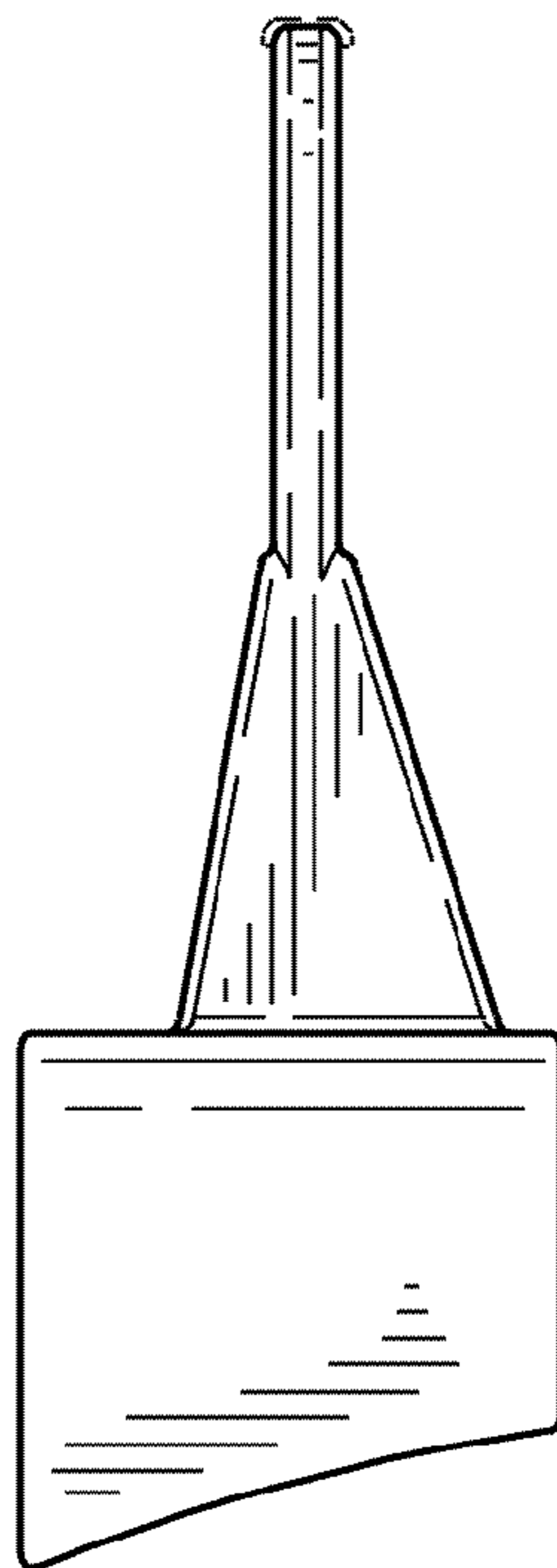


FIG. 17

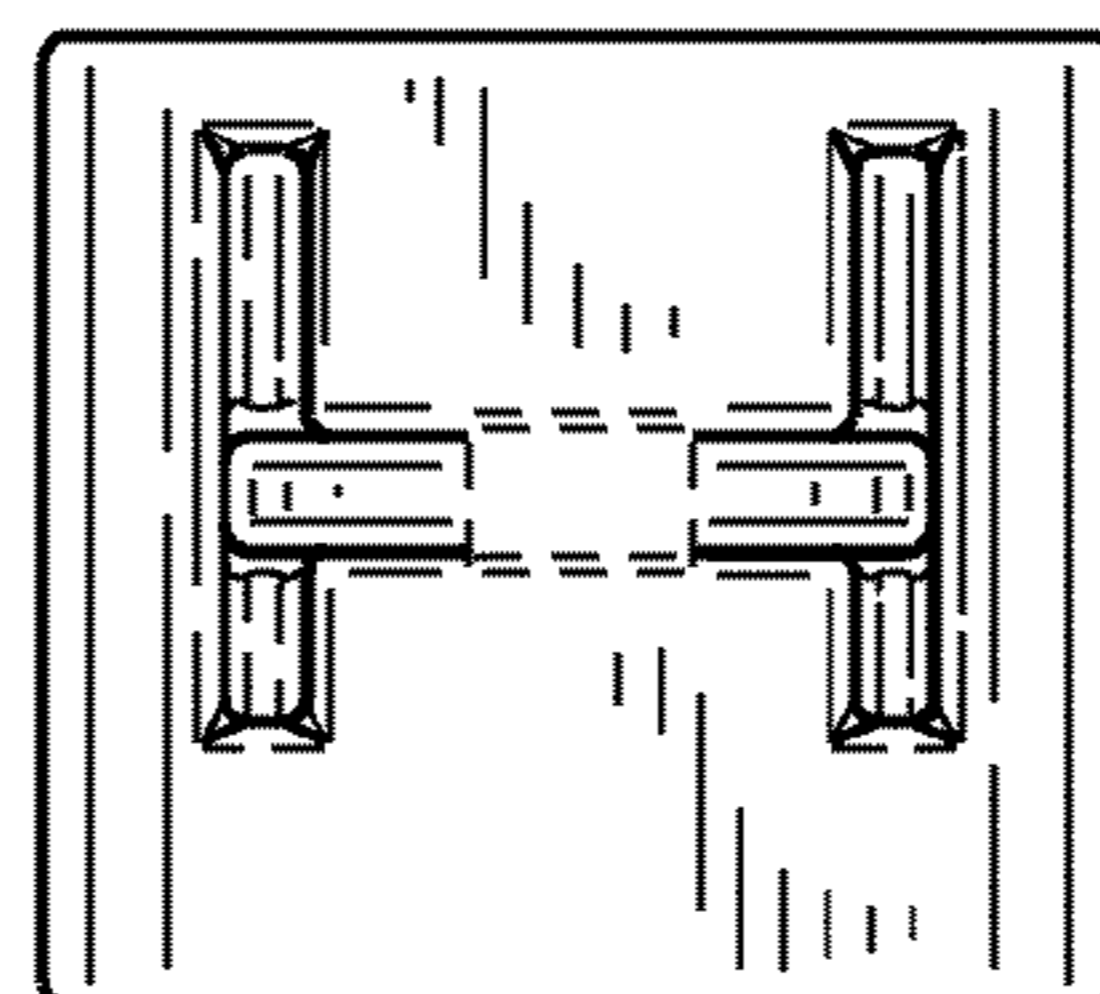


FIG. 18

