



US00D686053S

(12) **United States Design Patent**
Denning

(10) **Patent No.:** **US D686,053 S**
(45) **Date of Patent:** **** Jul. 16, 2013**

(54) **TIE DOWN STRAP ROLL UP DEVICE**

(76) Inventor: **Eddie Denning**, Alice, TX (US)

(**) Term: **14 Years**

(21) Appl. No.: **29/414,049**

(22) Filed: **Feb. 23, 2012**

(51) **LOC (9) Cl.** **08-03**

(52) **U.S. Cl.**
USPC **D8/70; D8/16**

(58) **Field of Classification Search**
USPC D8/16, 44, 70, 349, 354, 356, 366,
D8/371, 374, 380, 381, 382, 394, 395, 400;
D15/18, 28, 124, 126, 138, 144; 279/144;
410/100, 103, 156; D10/65; 33/464, 479,
33/526, 562, 613, 630, 640, 644, 645;
144/117.3, 144, 253.1-253.91; 83/435.11,
83/435.15, 425

See application file for complete search history.

(56) **References Cited**

U.S. PATENT DOCUMENTS

D215,406	S	*	9/1969	Campbell	D8/44
D226,256	S	*	2/1973	Guhl	D8/44
4,306,407	A	*	12/1981	Dambroth	56/193
4,409,781	A	*	10/1983	Blackstone	56/295
4,611,459	A	*	9/1986	Cartner	56/12.7
4,841,824	A	*	6/1989	Hartmann et al.	83/830
4,971,280	A	*	11/1990	Rinderer	248/228.7
4,995,228	A	*	2/1991	Hladik, Jr.	56/255
5,638,570	A	*	6/1997	Gruner	15/235.7
5,711,141	A	*	1/1998	Pitman et al.	56/255
5,775,078	A	*	7/1998	Warren	56/255
6,005,195	A	*	12/1999	Kam	174/135
D424,389	S	*	5/2000	Lindsey et al.	D8/44
6,234,454	B1	*	5/2001	Vassioukevitch	254/391
D448,656	S	*	10/2001	Kalat	D8/382
D450,066	S	*	11/2001	Monesmith	D15/17
6,415,591	B1	*	7/2002	Tylka, Sr.	56/295

6,742,770	B1	*	6/2004	Vassioukevitch	254/391
D502,185	S	*	2/2005	Byrne	D15/17
D535,666	S	*	1/2007	Nesco et al.	D15/17
7,299,612	B2	*	11/2007	Schuyler	56/255
7,386,914	B2	*	6/2008	Cruzan	15/235.7
D598,475	S	*	8/2009	Roth	D15/17
D663,185	S	*	7/2012	Denning	D8/70
8,230,567	B2	*	7/2012	Denning	29/271
2011/0101144	A1	*	5/2011	Denning	242/390

OTHER PUBLICATIONS

Tie Down Straps & Hardware. J.H. Nunn Associates. May 22, 2012 [online], [retrieved on Jan. 17, 2013]. Retrieved from the Internet <URL: <http://www.jhnunn.com/tie-down-straps-hardware>>.*

* cited by examiner

Primary Examiner — Philip S Hyder

Assistant Examiner — Darlington Ly

(74) *Attorney, Agent, or Firm* — QuickPatents; Kevin Prince

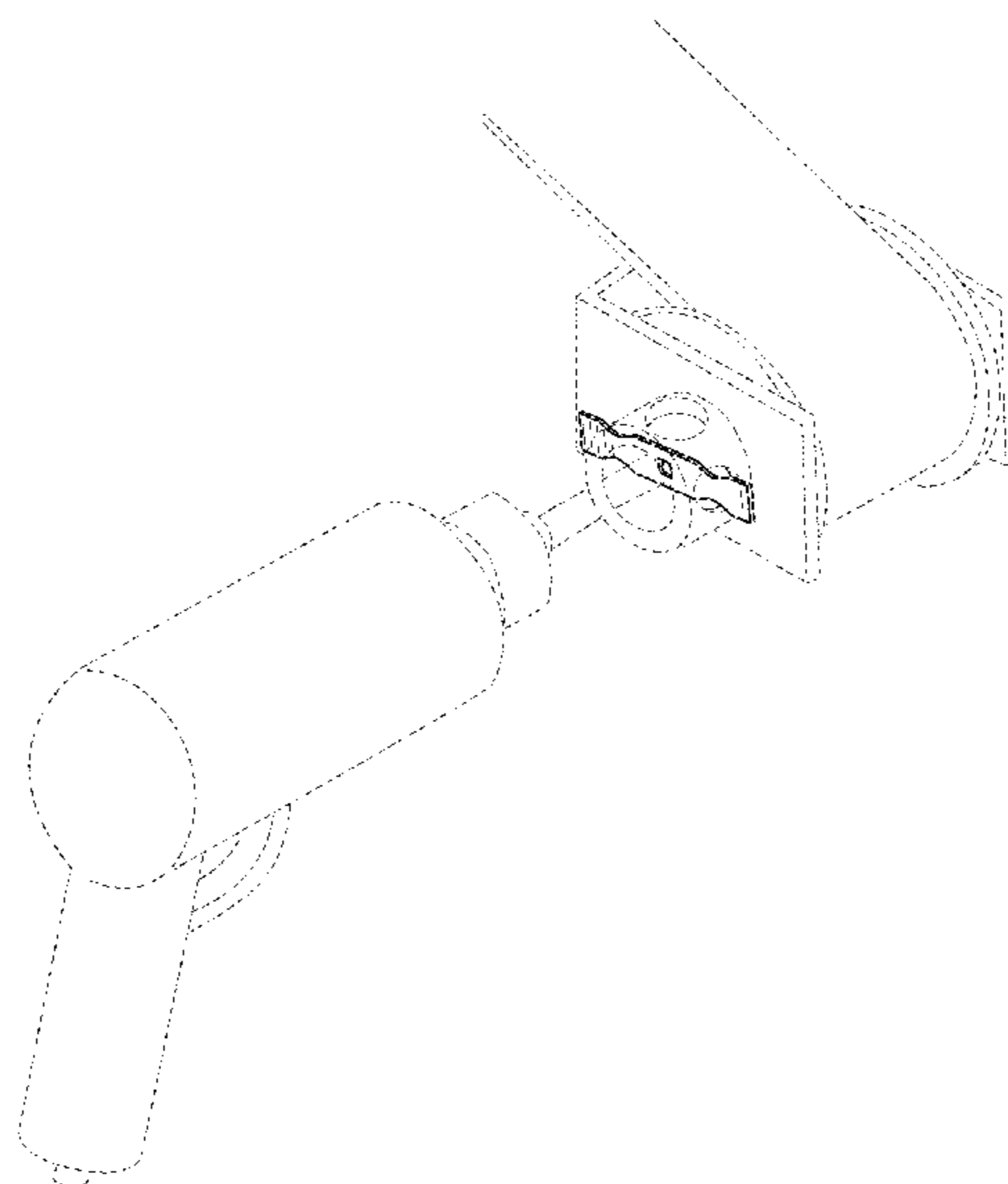
(57) **CLAIM**

I claim the ornamental design for a tie down strap roll up device, as shown and described.

DESCRIPTION

FIG. 1 is a perspective view of a tie down strap roll up device, showing my new design;
FIG. 2 is a perspective view thereof;
FIG. 3 is a front elevational view thereof, the rear elevational view being a mirror image thereof;
FIG. 4 is a top plan view thereof, the bottom plan view being a mirror image thereof; and,
FIG. 5 is a left-side elevational view thereof, the right-side elevational view being a mirror image thereof.
The broken lines showing a drill and ratchet crank in FIG. 1 depict environmental matter and form no part of the claimed design.

1 Claim, 2 Drawing Sheets



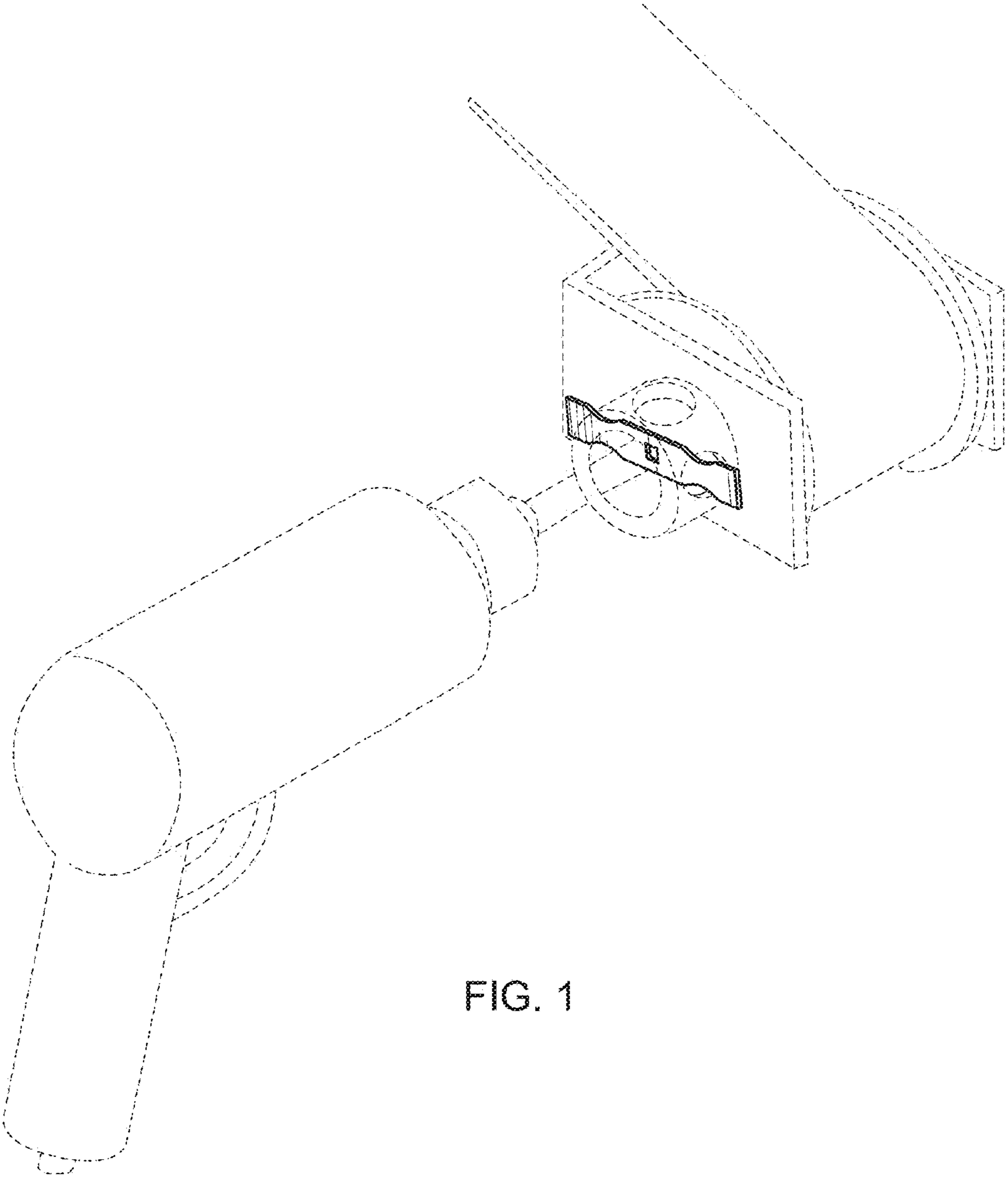


FIG. 1

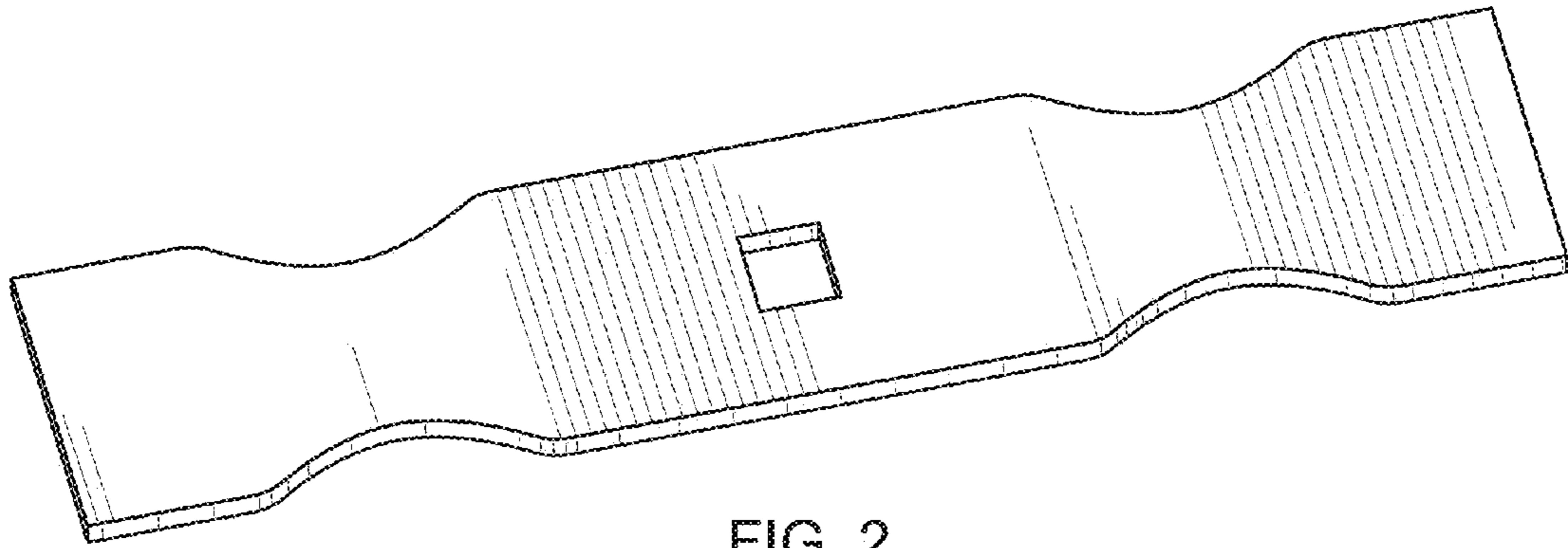


FIG. 2

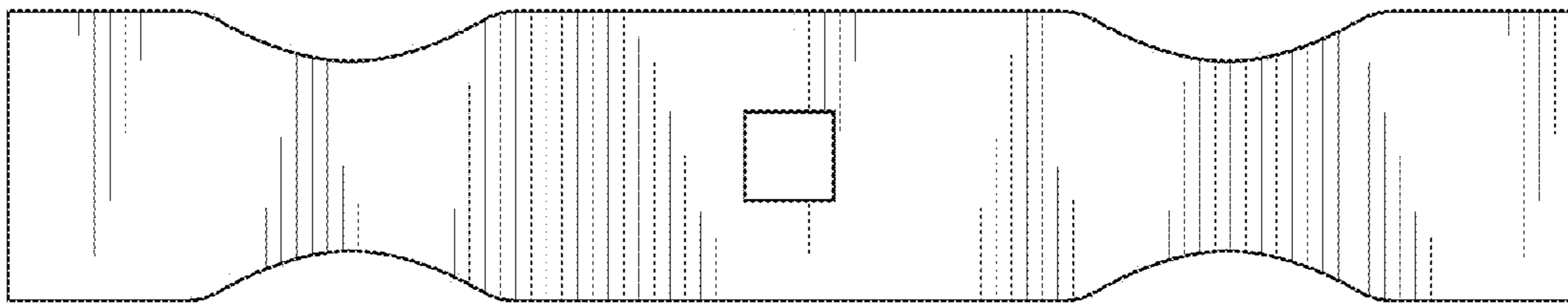


FIG. 3

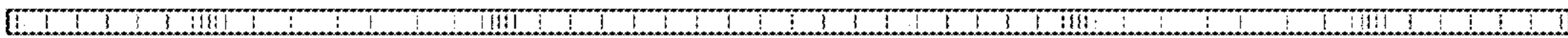


FIG. 4



FIG. 5