



US00D686052S

(12) **United States Design Patent**
Steiner

(10) **Patent No.:** **US D686,052 S**
(45) **Date of Patent:** **** Jul. 16, 2013**

(54) **CRIMPING TOOL**

(75) Inventor: **Richard A. Steiner**, East Haddam, CT
(US)

(73) Assignee: **Rostra Tool Company**, Branford, CT
(US)

(**) Term: **14 Years**

(21) Appl. No.: **29/429,324**

(22) Filed: **Aug. 9, 2012**

Related U.S. Application Data

(63) Continuation-in-part of application No. 11/986,820,
filed on Nov. 28, 2007, now Pat. No. 8,312,755.

(51) **LOC (9) Cl.** **08-05**

(52) **U.S. Cl.**
USPC **D8/52**

(58) **Field of Classification Search**
USPC D8/51-56, 60; 29/566.4, 751, 758,
29/237, 268, 270, 234; 72/409.1-409.19
See application file for complete search history.

(56) **References Cited**

U.S. PATENT DOCUMENTS

3,732,720 A 5/1973 Cootes
D416,458 S * 11/1999 Kun-Meng D8/52

6,219,905 B1 4/2001 Bollesen
D511,951 S * 11/2005 Sprouse D8/52
D534,412 S * 1/2007 Steiner D8/107
D592,474 S * 5/2009 Lin D8/52
D624,379 S * 9/2010 Pantoja D8/52
D628,036 S * 11/2010 Steiner D8/52
D648,995 S * 11/2011 Chang D8/52
2007/0289353 A1 12/2007 Fiorisi
2008/0078273 A1 * 4/2008 Steiner et al. 81/350
2008/0163664 A1 7/2008 Battenfeld

* cited by examiner

Primary Examiner — Sheryl Lane

(74) *Attorney, Agent, or Firm* — Cantor Colburn LLP

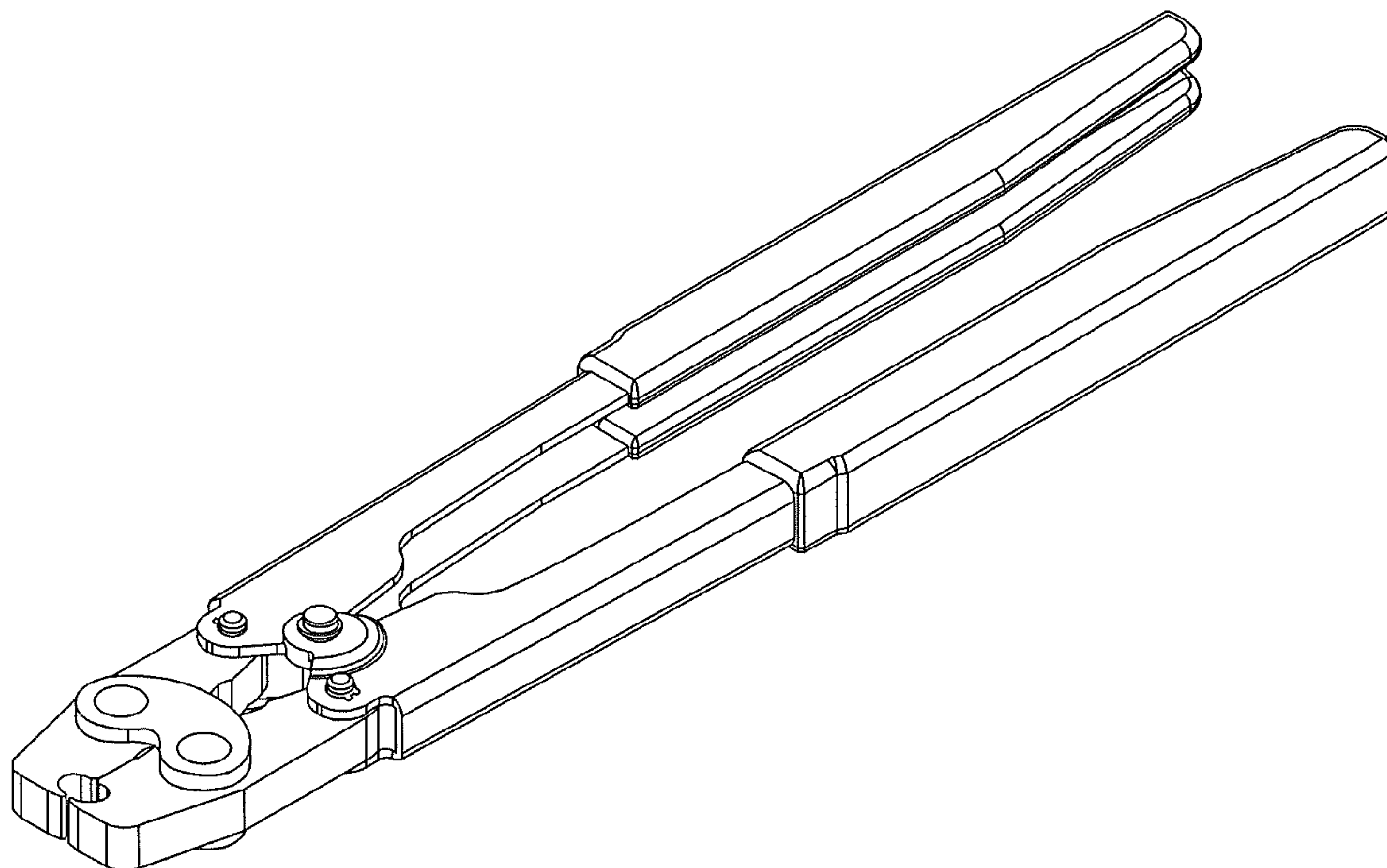
(57) **CLAIM**

I claim, the ornamental design for a crimping tool, as shown
and described.

DESCRIPTION

FIG. 1 is a perspective view of the invention;
FIG. 2 is a reverse perspective view of FIG. 1;
FIG. 3 is a top view of FIG. 1, the bottom view being a mirror
image thereof;
FIG. 4 is a first side view of FIG. 1;
FIG. 5 is a second side view of FIG. 1;
FIG. 6 is a first end view of FIG. 1; and,
FIG. 7 is a second end view of FIG. 1.

1 Claim, 7 Drawing Sheets



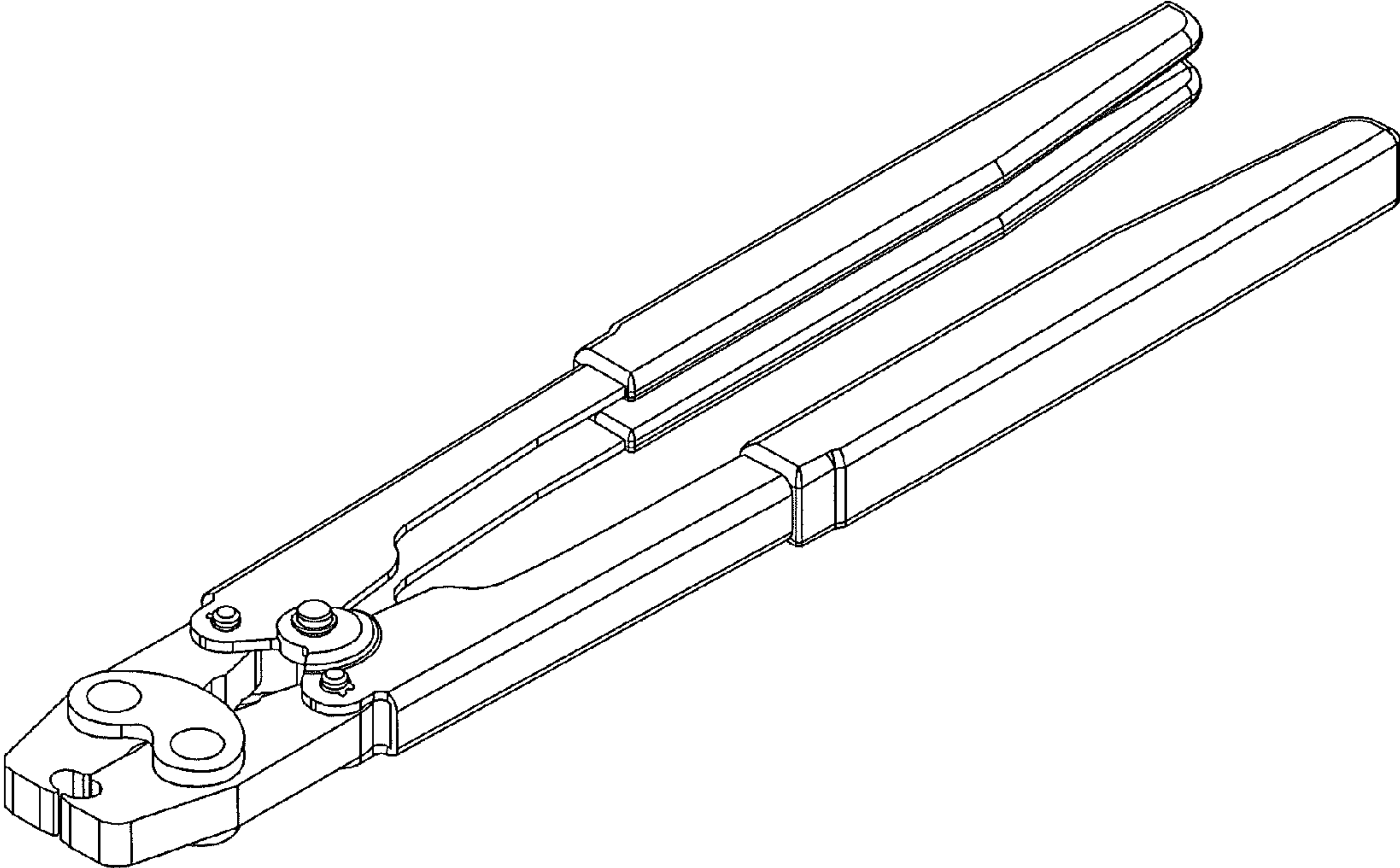


FIG. 1

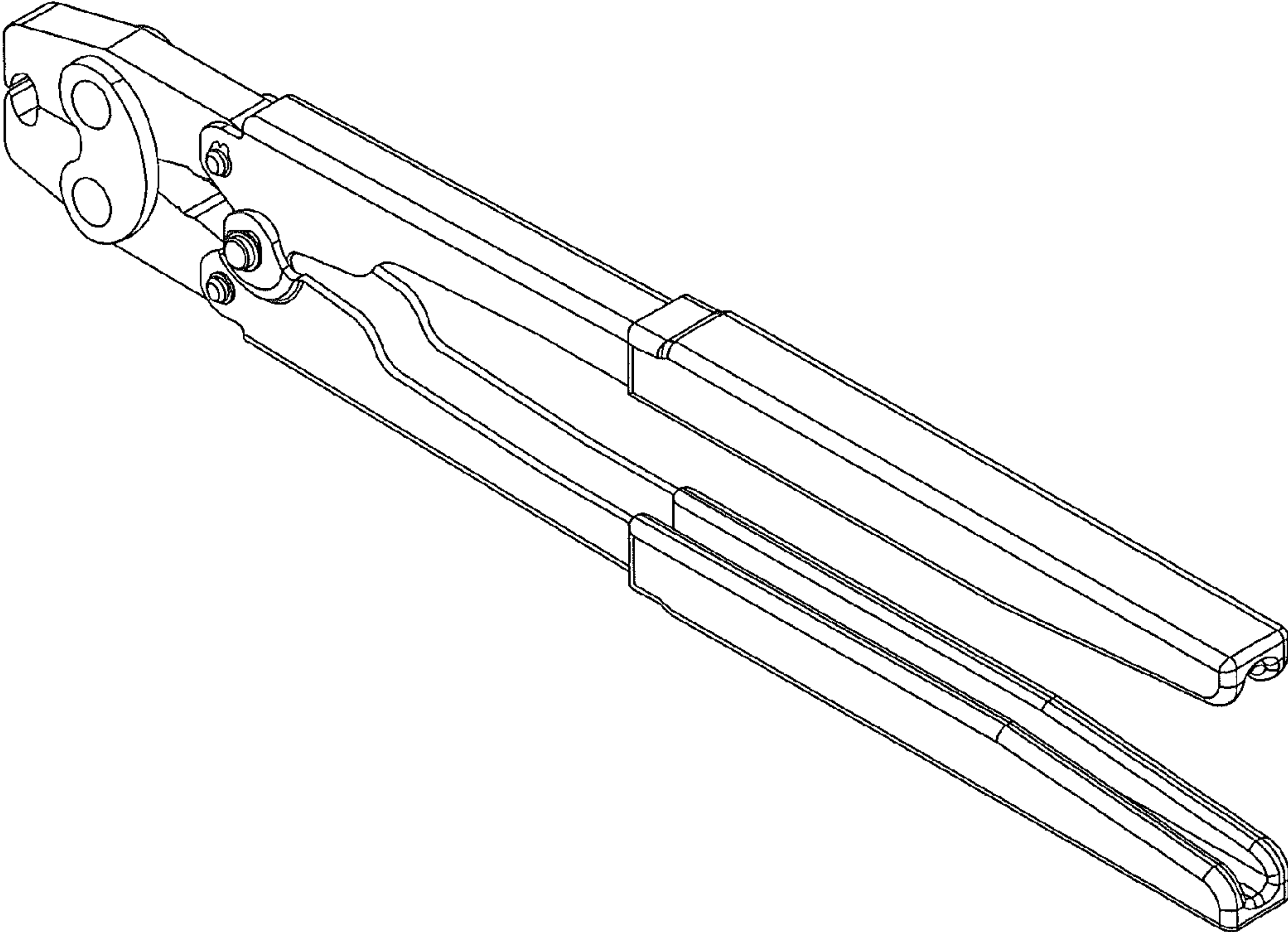


FIG. 2

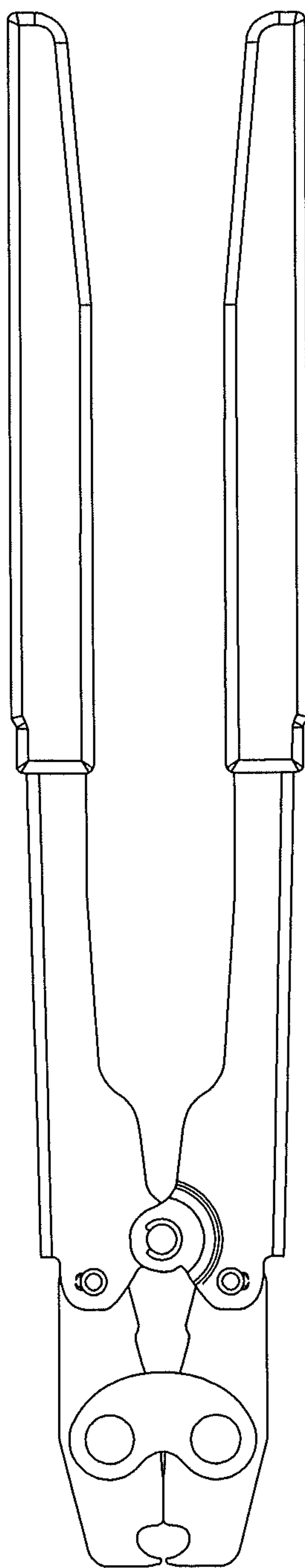


FIG. 3

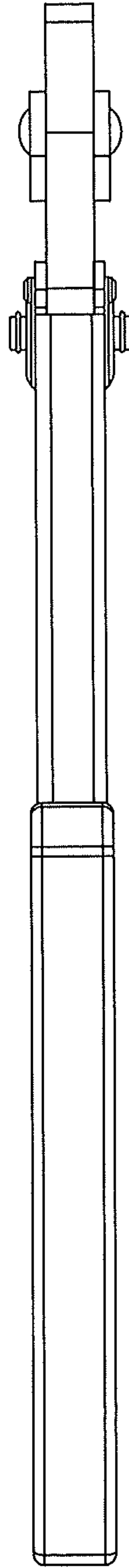


FIG. 4

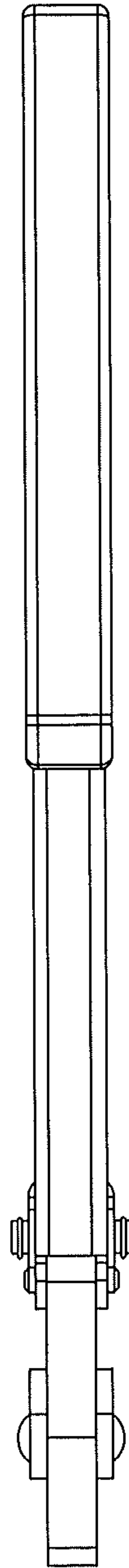


FIG. 5

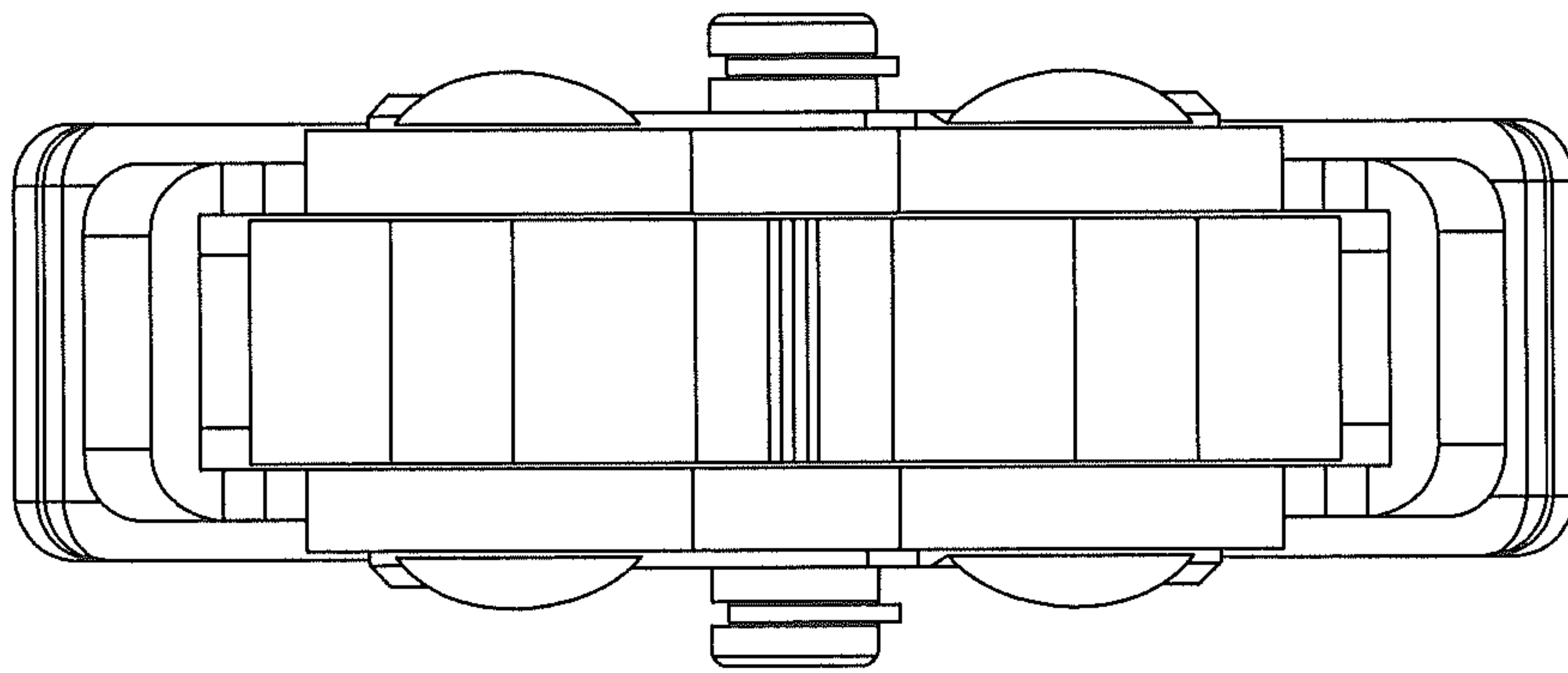


FIG. 6

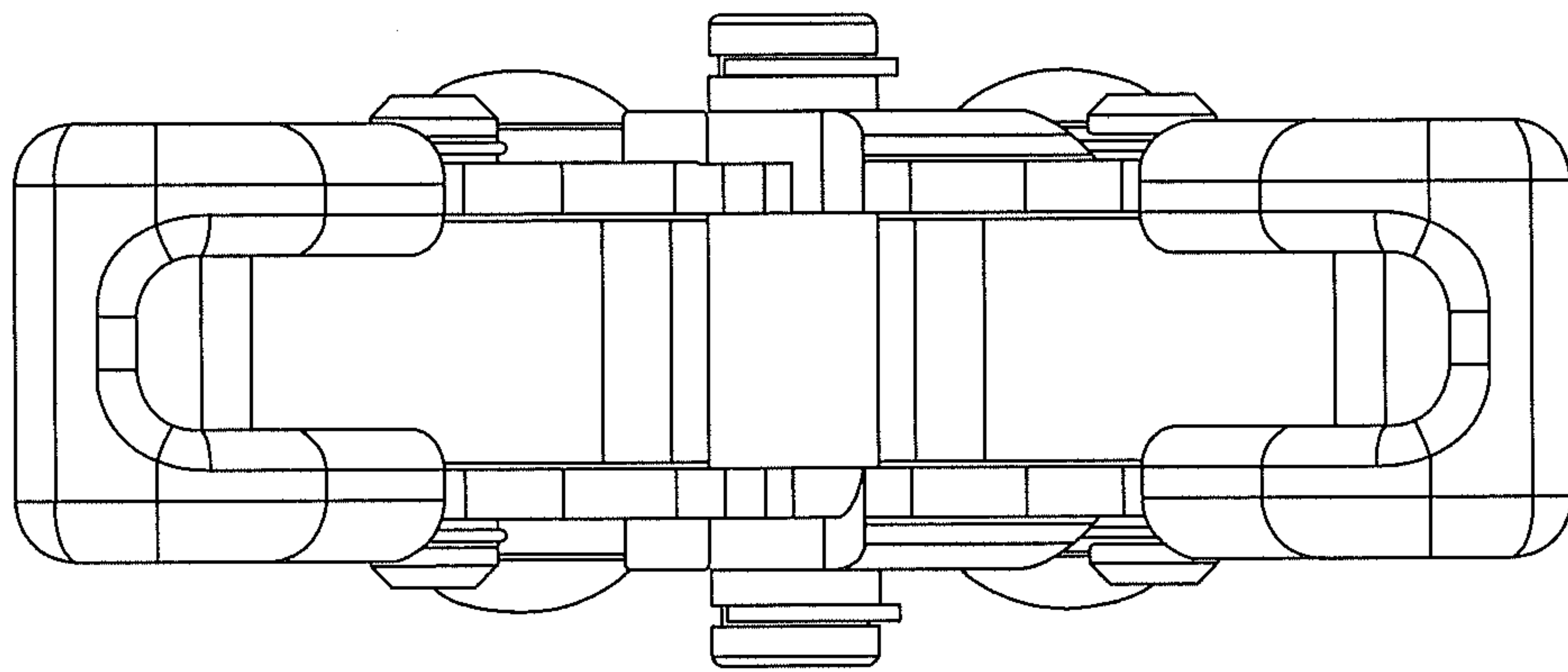


FIG. 7