



US00D686051S

(12) **United States Design Patent**
Darbinyan

(10) **Patent No.:** **US D686,051 S**
(45) **Date of Patent:** **** Jul. 16, 2013**

(54) **WRENCH**

(56) **References Cited**

(71) Applicant: **JPJ Investment Holding Corp.**, Carson City, NV (US)

(72) Inventor: **Hrayr Darbinyan**, Yerevan (AM)

(73) Assignee: **JPJ Investment Holding Corp.**, Carson City, NV (US)

(**) Term: **14 Years**

(21) Appl. No.: **29/437,615**

(22) Filed: **Nov. 19, 2012**

U.S. PATENT DOCUMENTS

D433,894	S *	11/2000	Mathis	D8/25
7,051,629	B2 *	5/2006	Huang	81/489
7,565,852	B2 *	7/2009	Yu	81/177.4
7,571,517	B2 *	8/2009	Smith et al.	16/436
D600,991	S *	9/2009	Lai	D8/83
7,597,031	B2 *	10/2009	Chiang	81/177.7
D622,565	S *	8/2010	Huang	D8/25
7,926,390	B2 *	4/2011	Bennett	81/62
D657,214	S *	4/2012	Chen	D8/25
8,307,741	B2 *	11/2012	Alvarez	81/63.2

* cited by examiner

Primary Examiner — Raphael Barkai
Assistant Examiner — Randall Gholson
(74) *Attorney, Agent, or Firm* — Patterson & Sheridan, LLP

Related U.S. Application Data

(63) Continuation of application No. 12/916,250, filed on Oct. 29, 2010.

(51) **LOC (9) Cl.** **08-05**

(52) **U.S. Cl.**
USPC **D8/25**

(58) **Field of Classification Search**
USPC D8/21–29, 40, 42, 98; 81/177.1, 81/177.85, 121.1, 124.3, 165–170, 110.1, 81/176.2, 124.6, 176.1, 176.15, 60, 62, 177.2; 16/110.1; D15/144.1; 219/75, 227, 229, 121.16, 219/121.18

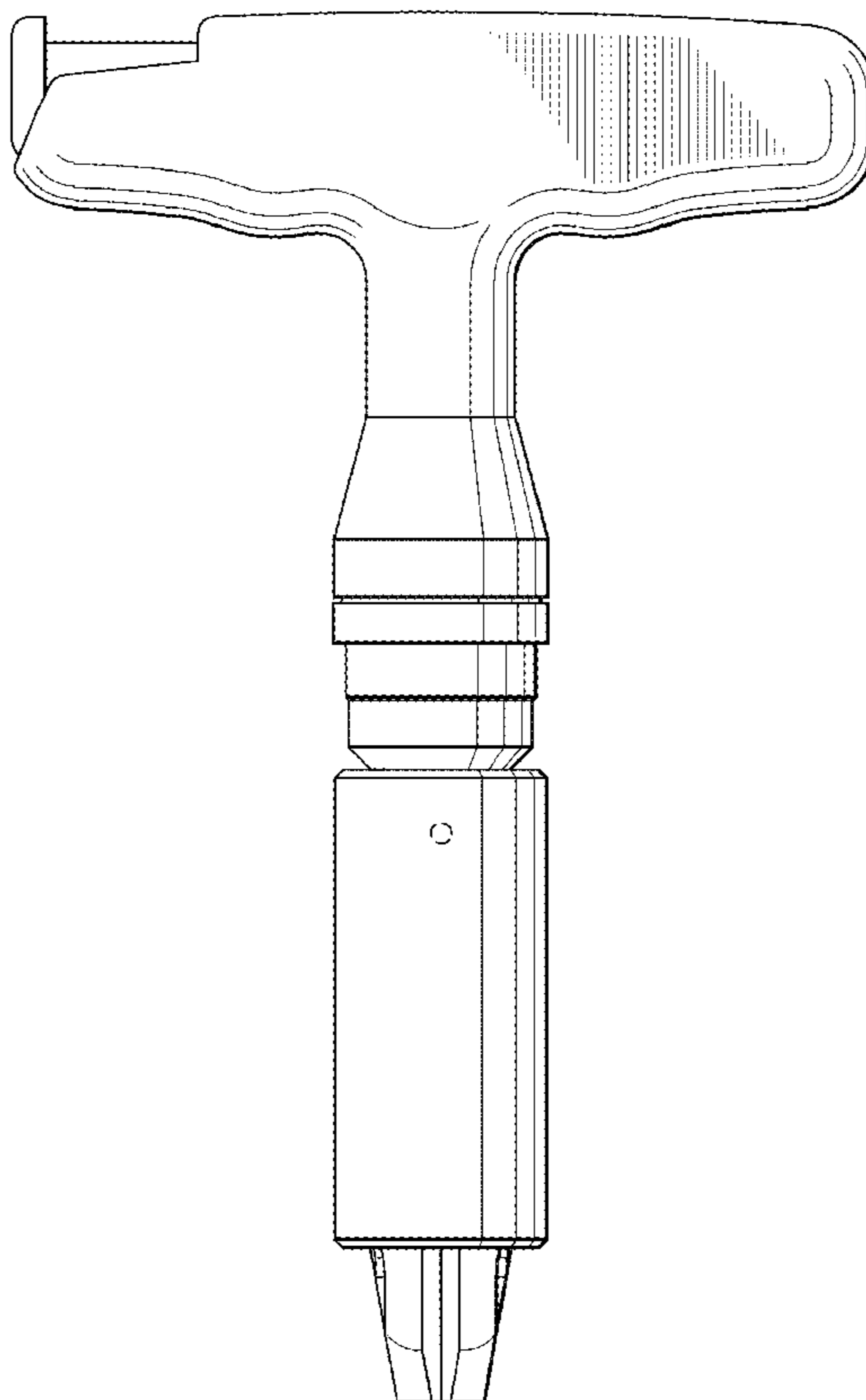
See application file for complete search history.

(57) **CLAIM**
The ornamental design for a wrench, as shown and described.

DESCRIPTION

FIG. 1 is a front elevational view of a wrench showing my new design, the rear elevational view being a mirror image thereof;
FIG. 2 is a top perspective view thereof; and,
FIG. 3 is a bottom perspective view thereof.
The broken lines in the drawings are for illustrative purposes only and form no part of the claimed invention.

1 Claim, 3 Drawing Sheets



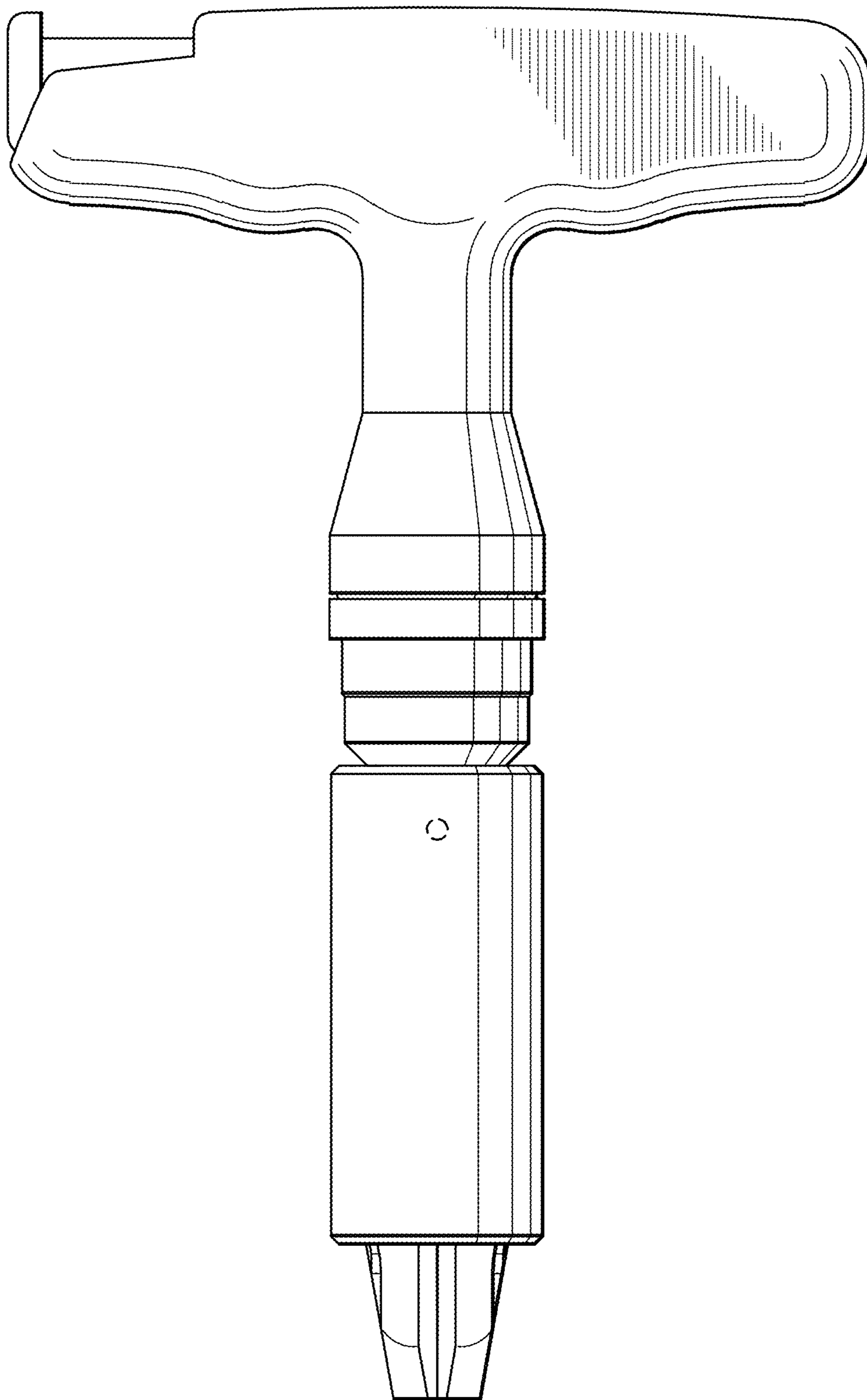


Fig. 1

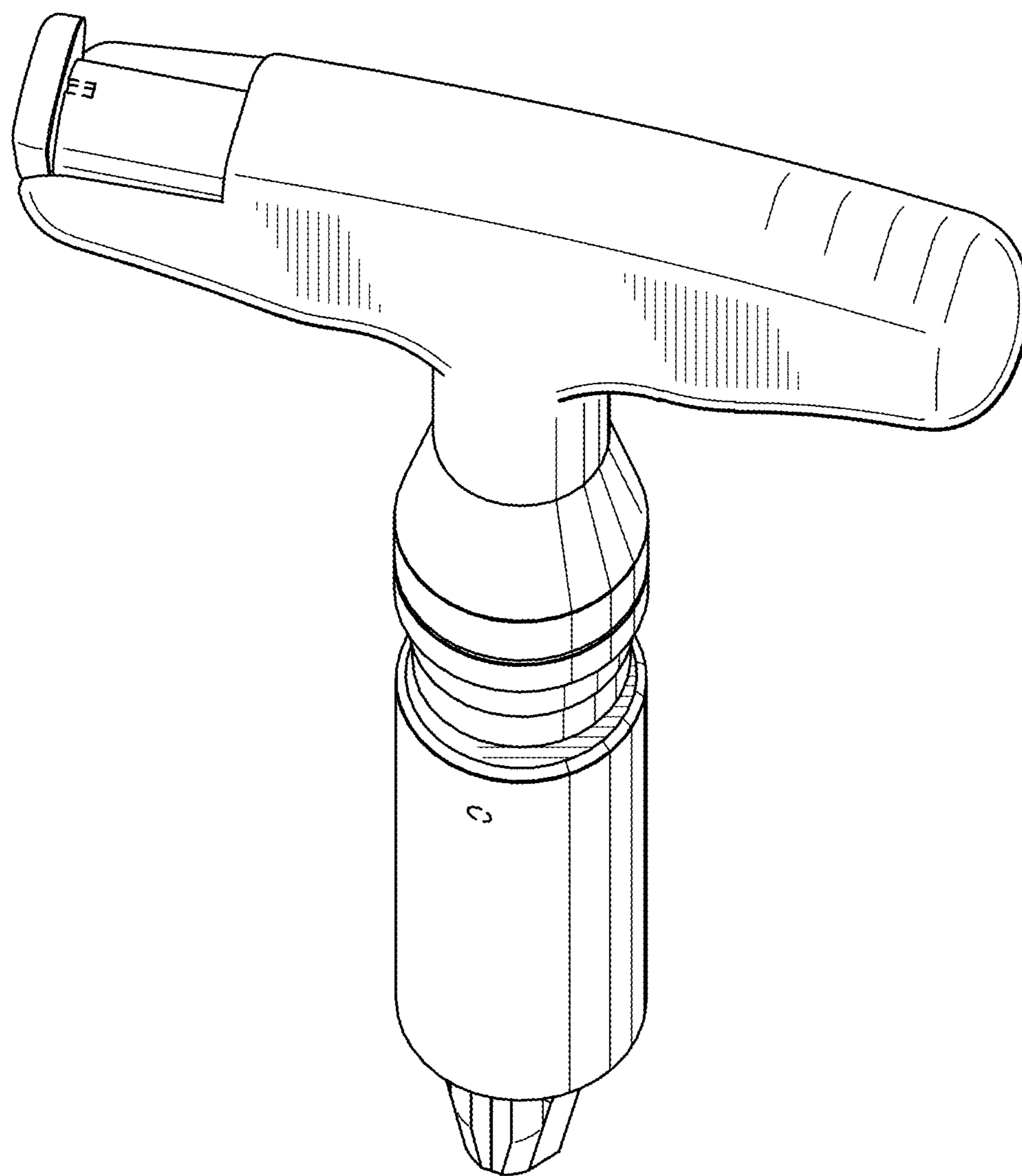


Fig. 2

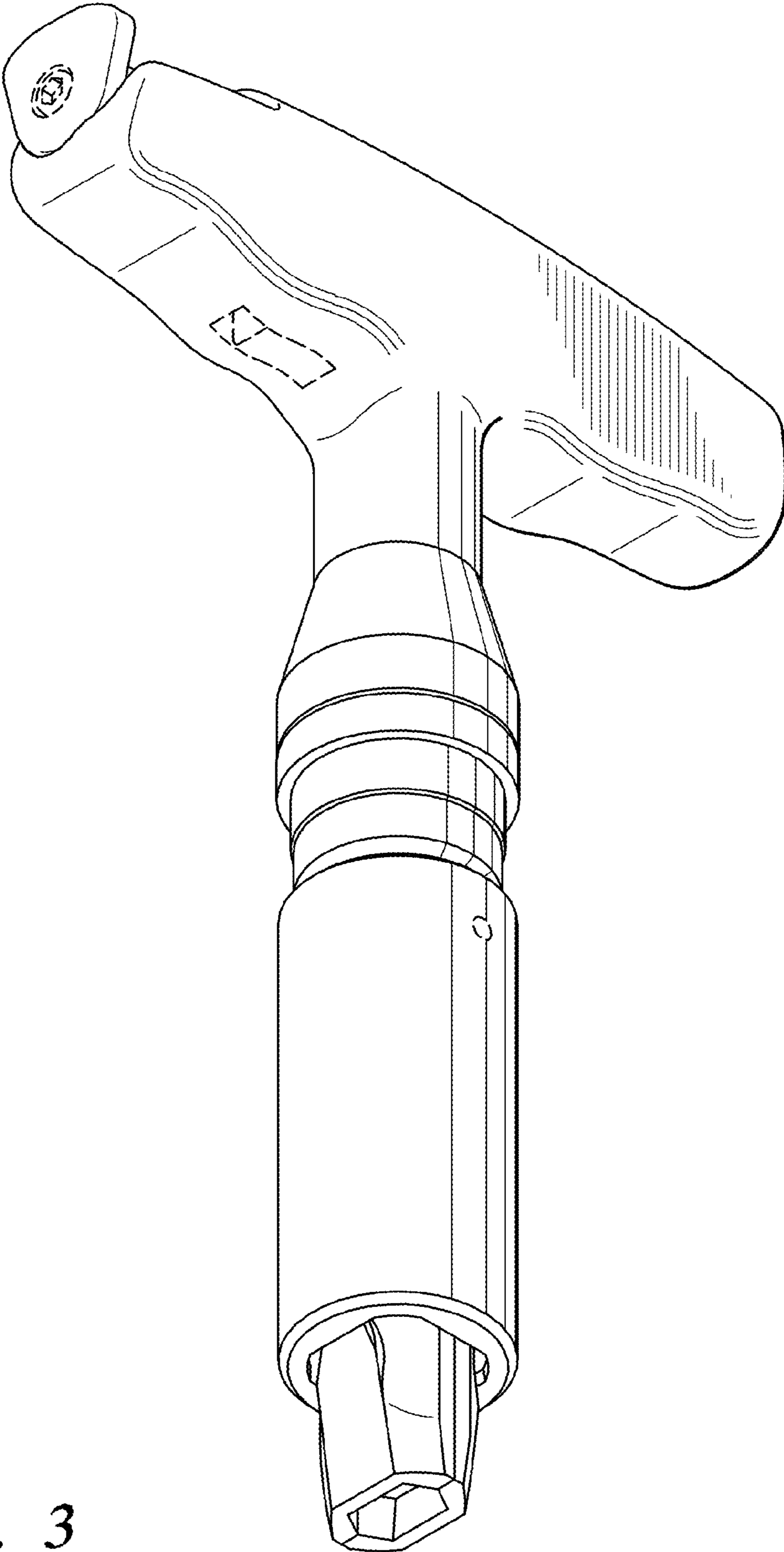


Fig. 3