



US00D686049S

(12) **United States Design Patent**  
**Ji**

(10) **Patent No.:** **US D686,049 S**

(45) **Date of Patent:** **\*\* Jul. 16, 2013**

- (54) **RECIPROCATING SAW BLADE**
- (75) Inventor: **Shenghua Ji**, Zhejiang (CN)
- (73) Assignee: **Haiyan United Hacksaw Factory**,  
Haiyan, Zhejiang (CN)
- (\*\*) Term: **14 Years**
- (21) Appl. No.: **29/432,119**
- (22) Filed: **Sep. 13, 2012**
- (51) **LOC (9) Cl.** ..... **08-03**
- (52) **U.S. Cl.**  
USPC ..... **D8/20**
- (58) **Field of Classification Search**  
USPC ..... D8/14, 16, 18–20, 45, 47, 64, 66,  
D8/67, 90–99; D15/127, 133, 138, 139;  
D22/117, 118; D24/146; 7/118, 148; 30/142,  
30/144, 165, 166.3, 168, 169, 272.1, 314,  
30/320, 346, 346.5, 346.55, 346.56, 349,  
30/351, 355–357  
See application file for complete search history.

D526,177 S *	8/2006	Lui	.....	D8/64
D527,233 S *	8/2006	Burke, III	.....	D8/20
D551,923 S *	10/2007	Ammann	.....	D8/20
D555,444 S *	11/2007	Ammann	.....	D8/20
D623,490 S *	9/2010	Lauber	.....	D8/20
D637,876 S *	5/2011	Williams	.....	D8/20
2008/0172890 A1 *	7/2008	Shetterly	.....	30/355
2009/0144992 A1 *	6/2009	Bucks	.....	30/355

\* cited by examiner

*Primary Examiner* — Garth Rademaker

(74) *Attorney, Agent, or Firm* — Robert L. Stearns;  
Dickinson Wright, PLLC

(57) **CLAIM**

I claim the ornamental design for a reciprocating saw blade,  
as shown herein.

**DESCRIPTION**

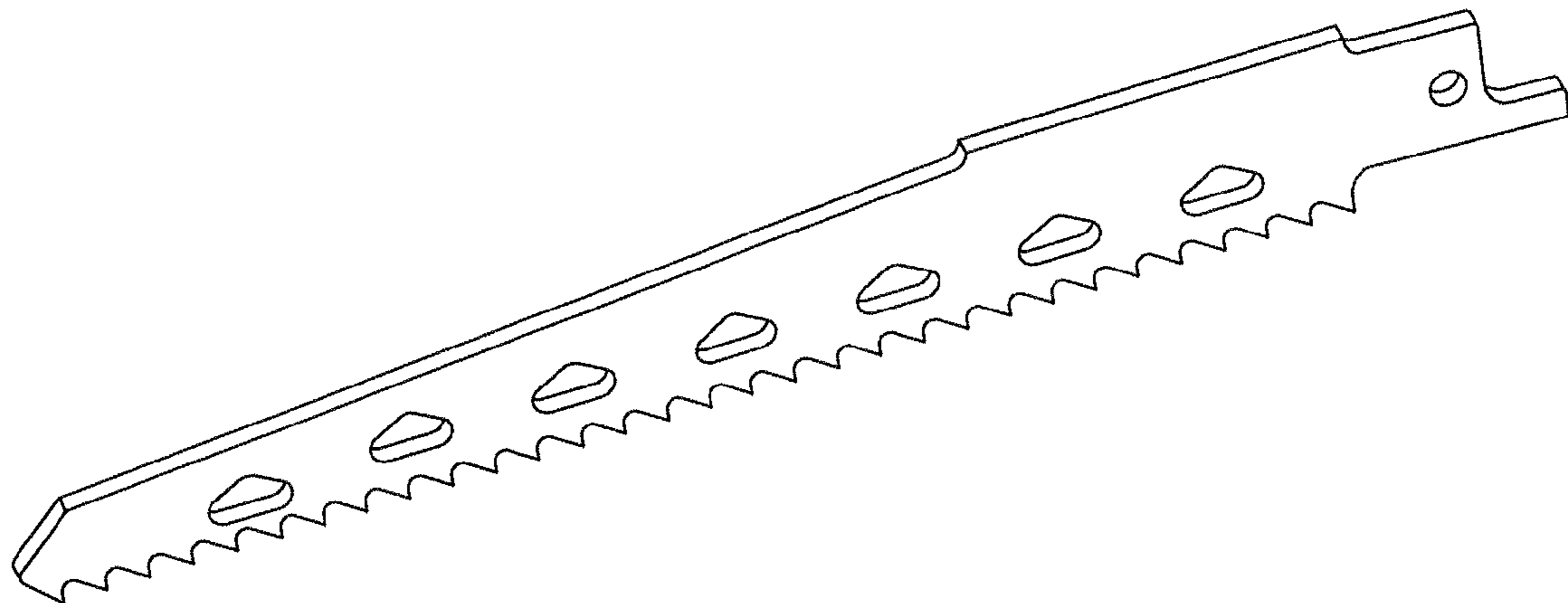
FIG. 1 is a perspective view of a reciprocating saw blade showing the claimed design;  
 FIG. 2 is a front elevation view of the reciprocating saw blade of FIG. 1,  
 FIG. 3 is a rear elevation view of the reciprocating saw blade of FIG. 1,  
 FIG. 4 is a left side view of the reciprocating saw blade of FIG. 1,  
 FIG. 5 is a right side view of the reciprocating saw blade of FIG. 1,  
 FIG. 6 is a top view of the reciprocating saw blade of FIG. 1;  
 and,  
 FIG. 7 is a bottom view of the reciprocating saw blade of FIG. 1.

**1 Claim, 2 Drawing Sheets**

(56) **References Cited**

U.S. PATENT DOCUMENTS

2,338,007 A *	12/1943	Morris	.....	30/351
D306,817 S *	3/1990	McMorrough	.....	D8/95
D465,138 S *	11/2002	Raines	.....	D8/20
D482,945 S *	12/2003	Grolimund	.....	D8/20
D525,842 S *	8/2006	Andriolo	.....	D8/64



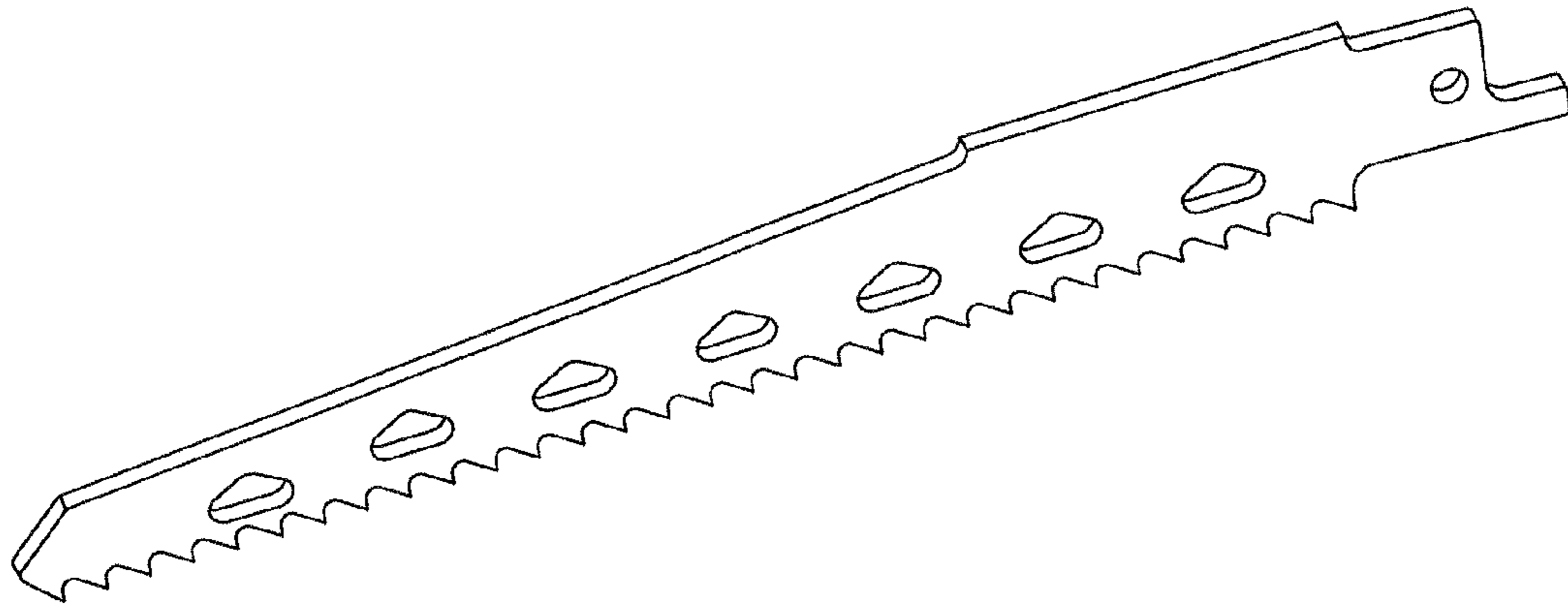


Fig.1



Fig.2

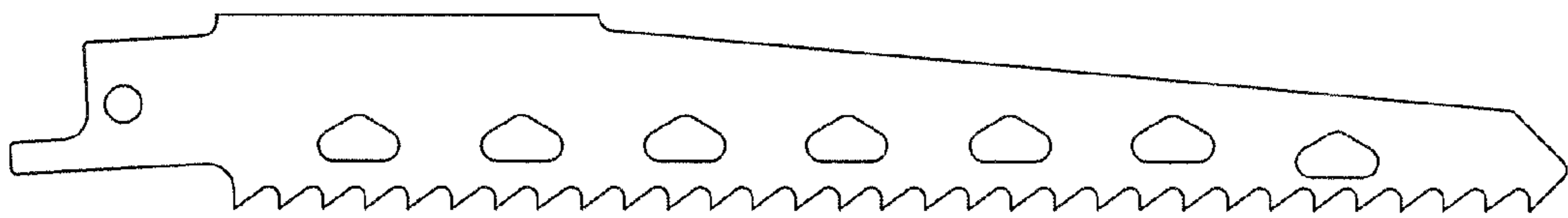


Fig.3



Fig.4

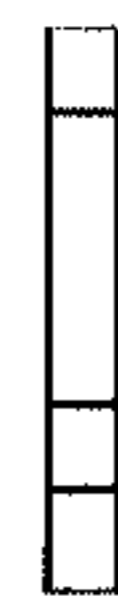


Fig.5



Fig.6

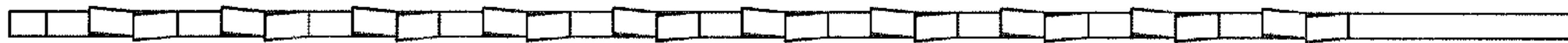


Fig.7