

US00D686047S

(12) **United States Design Patent**
Oh

(10) **Patent No.:** **US D686,047 S**

(45) **Date of Patent:** **** Jul. 16, 2013**

(54) **CUTTING BOARD CASE**

(75) Inventor: **Dae Woon Oh**, Changwon-si (KR)

(73) Assignee: **Naturnic Co., Ltd.**, Goyang-si,
Gyeonggi-do (KR)

(**) Term: **14 Years**

(21) Appl. No.: **29/430,006**

(22) Filed: **Aug. 20, 2012**

(30) **Foreign Application Priority Data**

Mar. 6, 2012 (KR) 30-2012-0010604

(51) **LOC (9) Cl.** **07-04**

(52) **U.S. Cl.**
USPC **D7/698**

(58) **Field of Classification Search**
USPC D7/354, 359-360, 368, 392.1, 396.1,
D7/409, 412, 505, 549, 550.1, 552.1-552.2,
D7/553.1-553.5, 553.8, 554.3-554.4, 555,
D7/586, 637, 673, 698-699; D10/96; 4/514;
83/42, 454, 761-764, 870-875; 99/324, 357,
99/449-450; 269/13-16, 289 R, 302.1, 575;
451/552; 452/16

See application file for complete search history.

(56) **References Cited**

U.S. PATENT DOCUMENTS

2,398,192	A *	4/1946	Scheminger, Jr.	83/762
2,802,267	A *	8/1957	Lackrie	83/875
3,583,026	A *	6/1971	Peoni	452/16
3,971,273	A *	7/1976	Peters et al.	83/42
4,085,642	A *	4/1978	Birmingham	83/764
D248,019	S *	5/1978	Scheid	D10/96

4,133,238	A *	1/1979	Jacobs	83/762
D255,634	S *	7/1980	Zuck	D7/673
D277,445	S *	2/1985	Levine	D7/673
4,807,505	A *	2/1989	Campbell et al.	83/454
D315,275	S *	3/1991	Aziz et al.	D7/673
D316,657	S *	5/1991	Mulherin	D7/673
D343,770	S *	2/1994	McFarling et al.	D7/673
D348,591	S *	7/1994	Willis	D7/698
D354,203	S *	1/1995	Naccarato	D7/673
D362,374	S *	9/1995	Roach	D7/673
D378,978	S *	4/1997	Frye et al.	D7/673
5,626,067	A *	5/1997	Lothe	83/761
D388,288	S *	12/1997	Frye et al.	D7/673
5,724,877	A *	3/1998	Kensrue	83/870
D412,268	S *	7/1999	Uemura	D7/673
7,059,231	B2 *	6/2006	Graham	83/764
7,721,362	B2 *	5/2010	Martin et al.	4/514
D623,029	S *	9/2010	Russell et al.	D7/698
D665,635	S *	8/2012	Evans	D7/698
8,342,915	B1 *	1/2013	Vogel et al.	451/552

* cited by examiner

Primary Examiner — Ricky Pham

(74) *Attorney, Agent, or Firm* — Sherr & Jiang, PLLC

(57) **CLAIM**

The ornamental design for a “cutting board case,” as shown and described.

DESCRIPTION

FIG. 1 is a perspective view of cutting board case showing my new design;
FIG. 2 is a front elevational view thereof;
FIG. 3 is a back elevational view thereof;
FIG. 4 is a left side elevational view thereof;
FIG. 5 is a right side elevational view thereof;
FIG. 6 is a top view thereof; and,
FIG. 7 is a bottom view thereof.

1 Claim, 4 Drawing Sheets

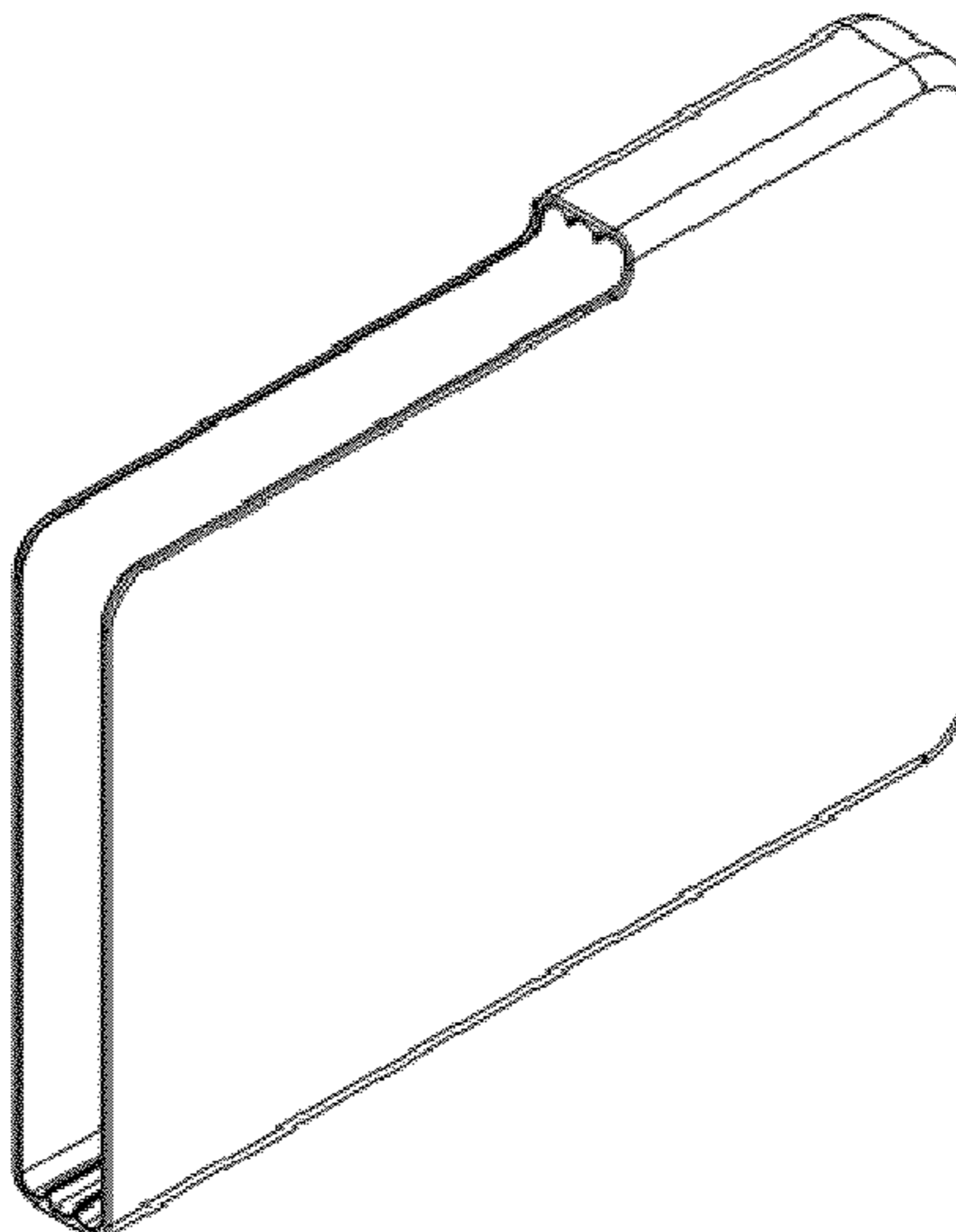


FIG. 1

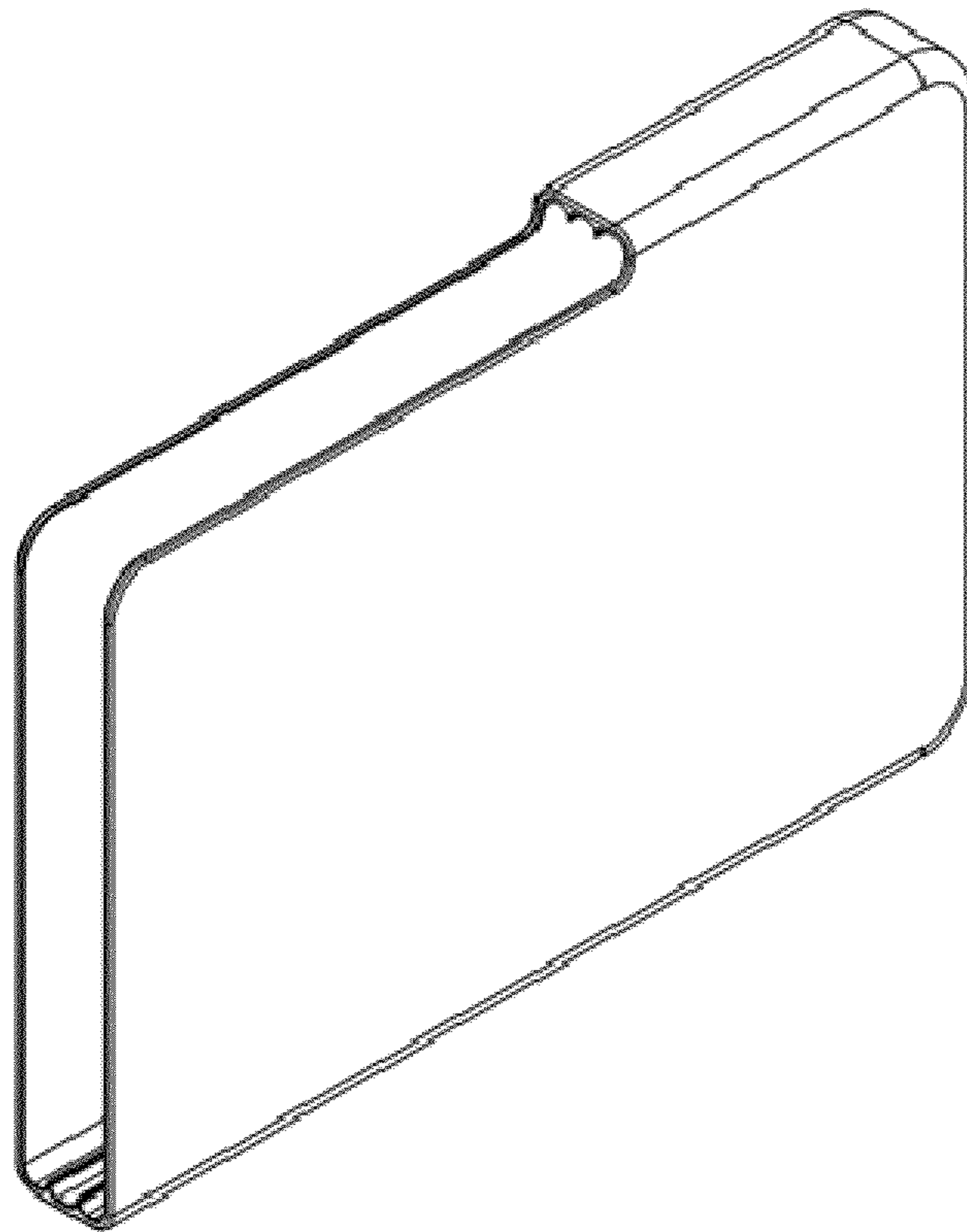


FIG. 2

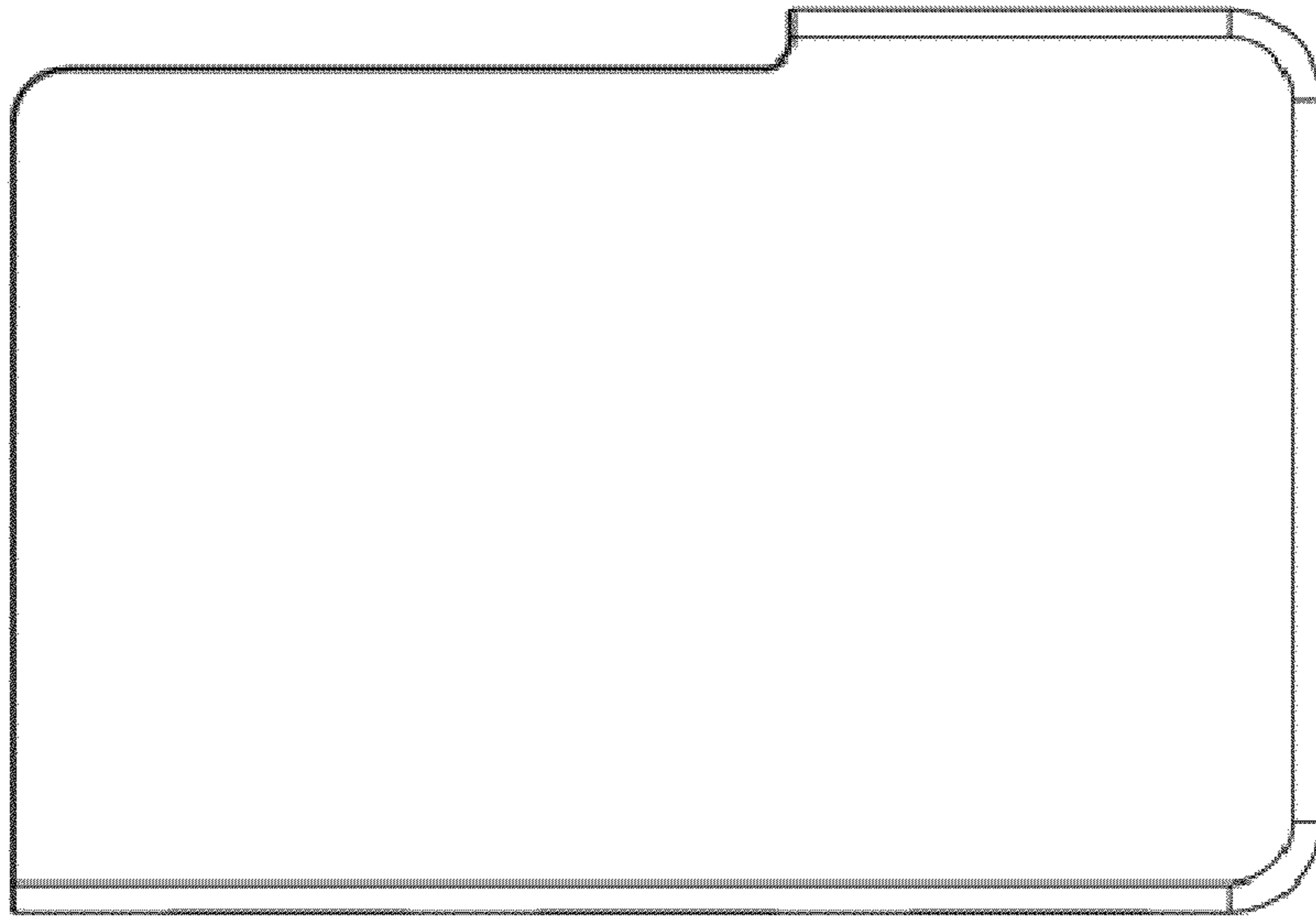


FIG. 3

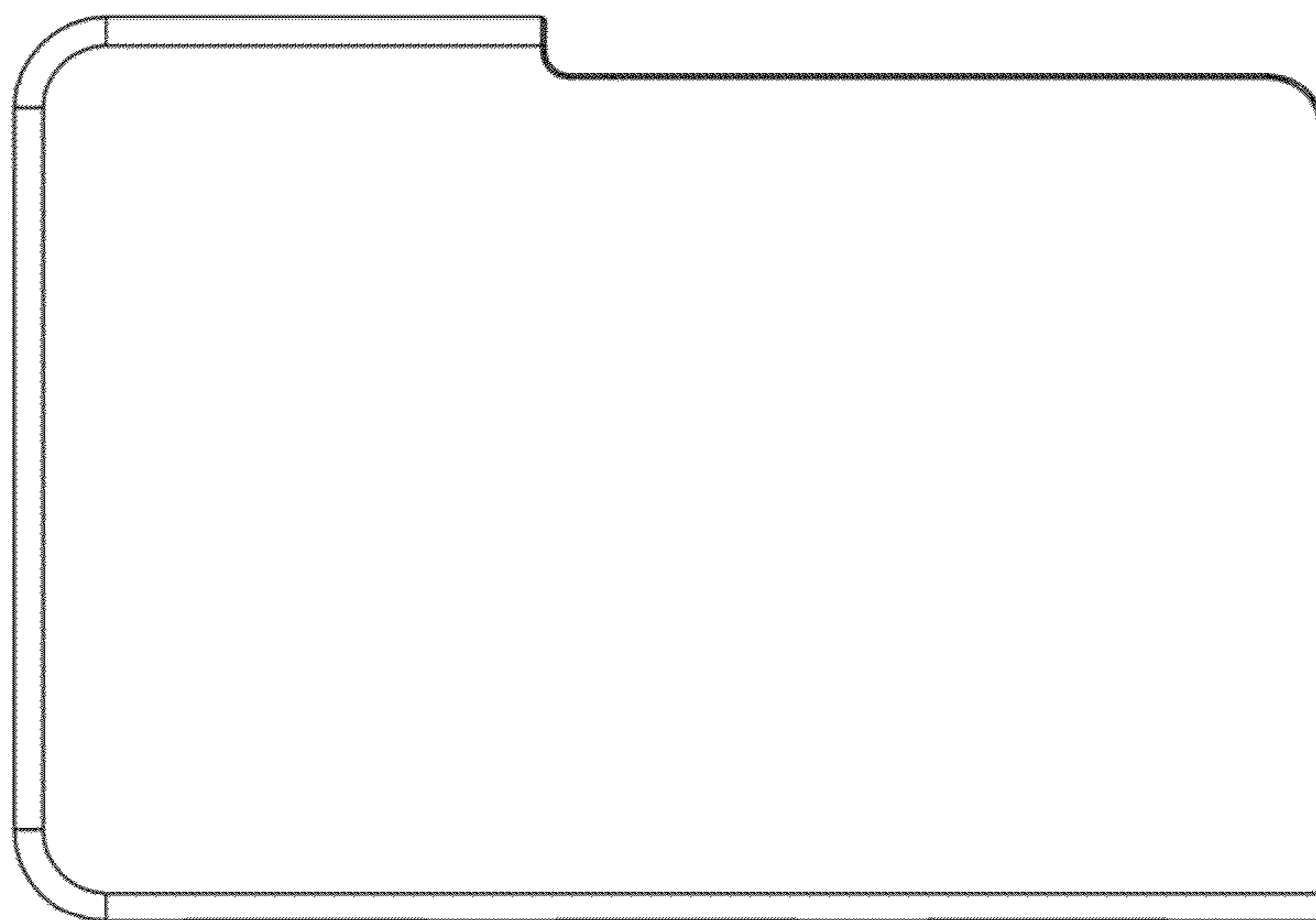


FIG. 4

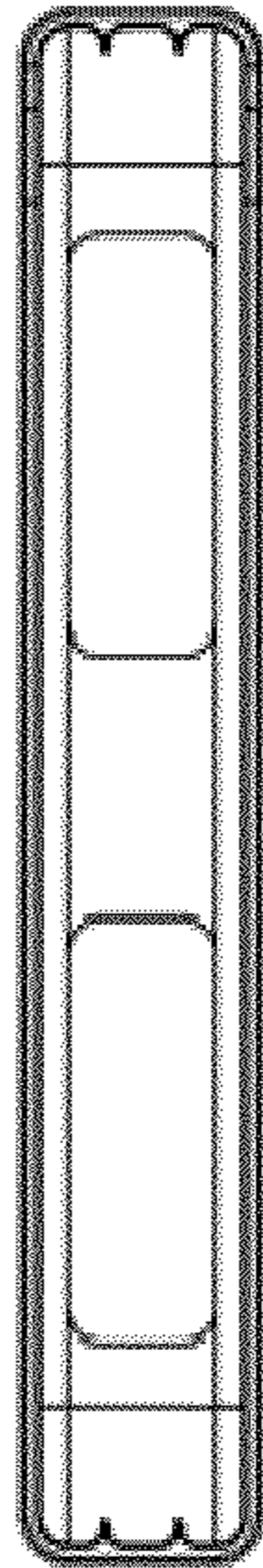


FIG. 5

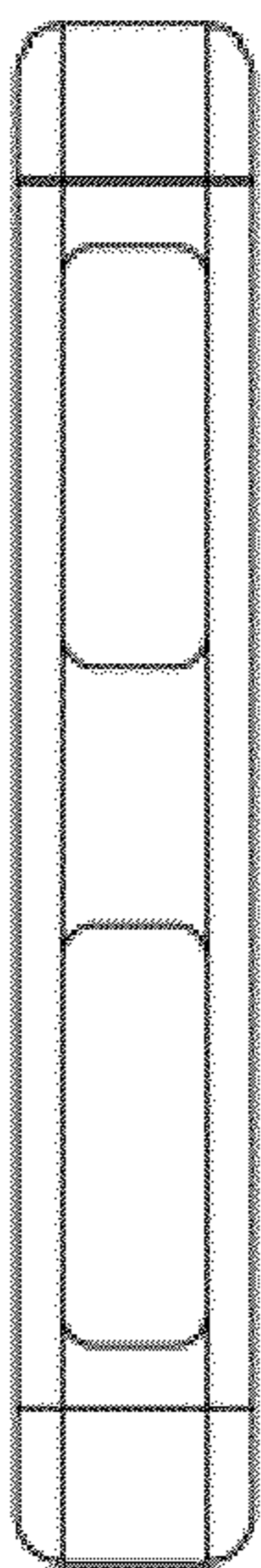


FIG. 6



FIG. 7

