

US00D686046S

(12) **United States Design Patent**  
**Desvignes**

(10) **Patent No.:** **US D686,046 S**

(45) **Date of Patent:** **\*\* Jul. 16, 2013**

(54) **ELECTRIC JUICE PRESS**

(71) Applicant: **SEB**, Selongey (FR)

(72) Inventor: **Alexandre Desvignes**, Paris (FR)

(73) Assignee: **SEB**, Selongey (FR)

(\*\*) Term: **14 Years**

(21) Appl. No.: **29/434,063**

(22) Filed: **Oct. 9, 2012**

(30) **Foreign Application Priority Data**

Apr. 13, 2012 (EM) ..... 001322317-0001

(51) **LOC (9) Cl.** ..... **31-00**

(52) **U.S. Cl.**  
USPC ..... **D7/665**

(58) **Field of Classification Search**

USPC ..... D7/665-667; 241/92, 100, 282.1,  
241/101.1-101.7, 285.1-285.3; 99/501-513,  
99/495, 499, 348, 357; 366/64-67, 98, 142,  
366/197-211, 241-254, 279-292, 341-347

See application file for complete search history.

(56) **References Cited**

U.S. PATENT DOCUMENTS

D112,652 S \* 12/1938 Cecil ..... D7/666  
5,297,476 A \* 3/1994 Garland et al. .... 99/495  
D623,908 S \* 9/2010 Wu ..... D7/665

\* cited by examiner

*Primary Examiner* — Terry Wallace

(74) *Attorney, Agent, or Firm* — Loeb & Loeb LLP

(57) **CLAIM**

The ornamental design for an electric juice press, as shown and described.

**DESCRIPTION**

FIG. 1 is a front elevational view an embodiment of an electric juice press.

FIG. 2 is a rear elevational view of the electric juice press of FIG. 1.

FIG. 3 is a left side elevational view of the electric juice press of FIG. 1.

FIG. 4 is a right side elevational view of the electric juice press of FIG. 1.

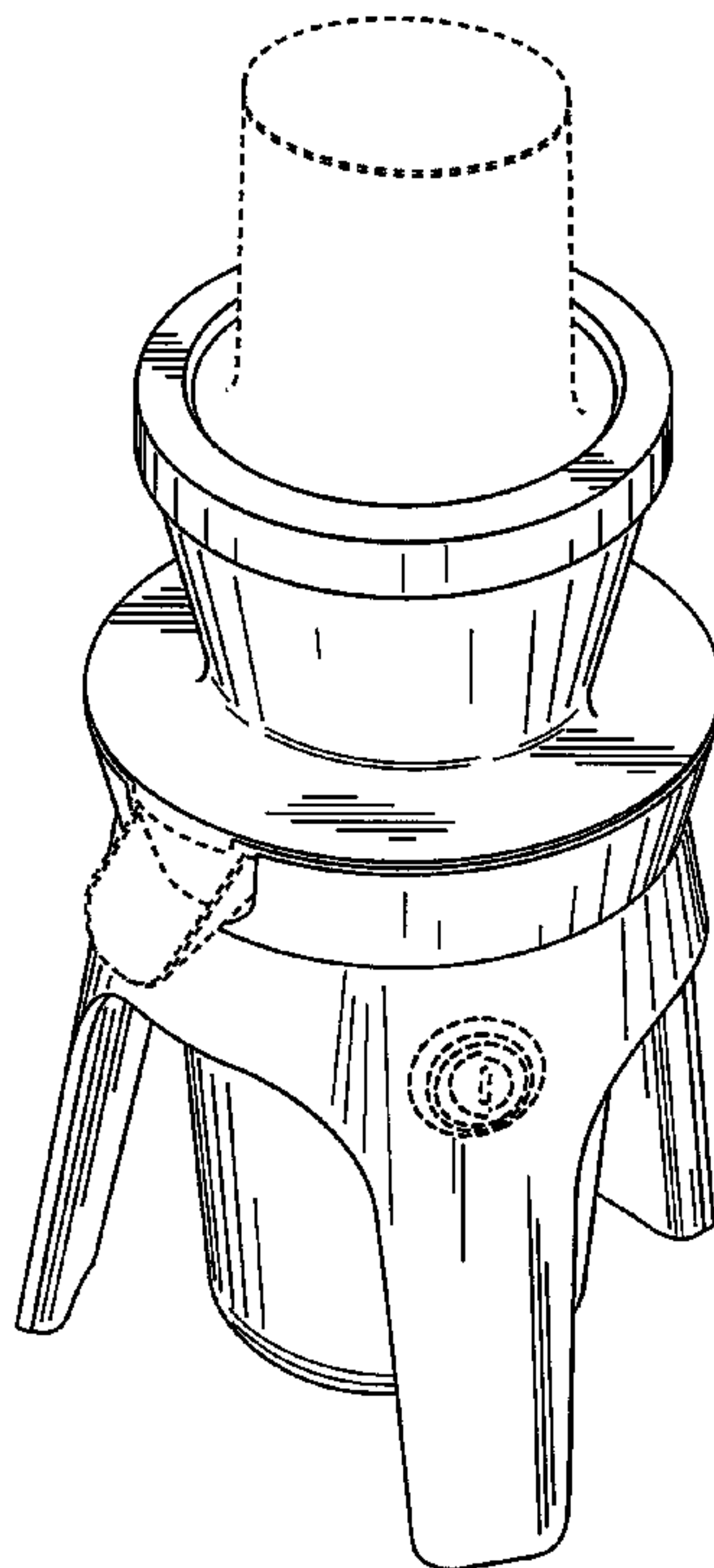
FIG. 5 is a top plan elevational view of the electric juice press of FIG. 1.

FIG. 6 is a bottom plan view of the electric juice press of FIG. 1; and,

FIG. 7 is a perspective view of the electric juice press of FIG. 1.

The broken lines appearing in the figures are for the purpose of illustrating the environmental structure of the article of the claimed design and form no part of the claimed design.

**1 Claim, 7 Drawing Sheets**



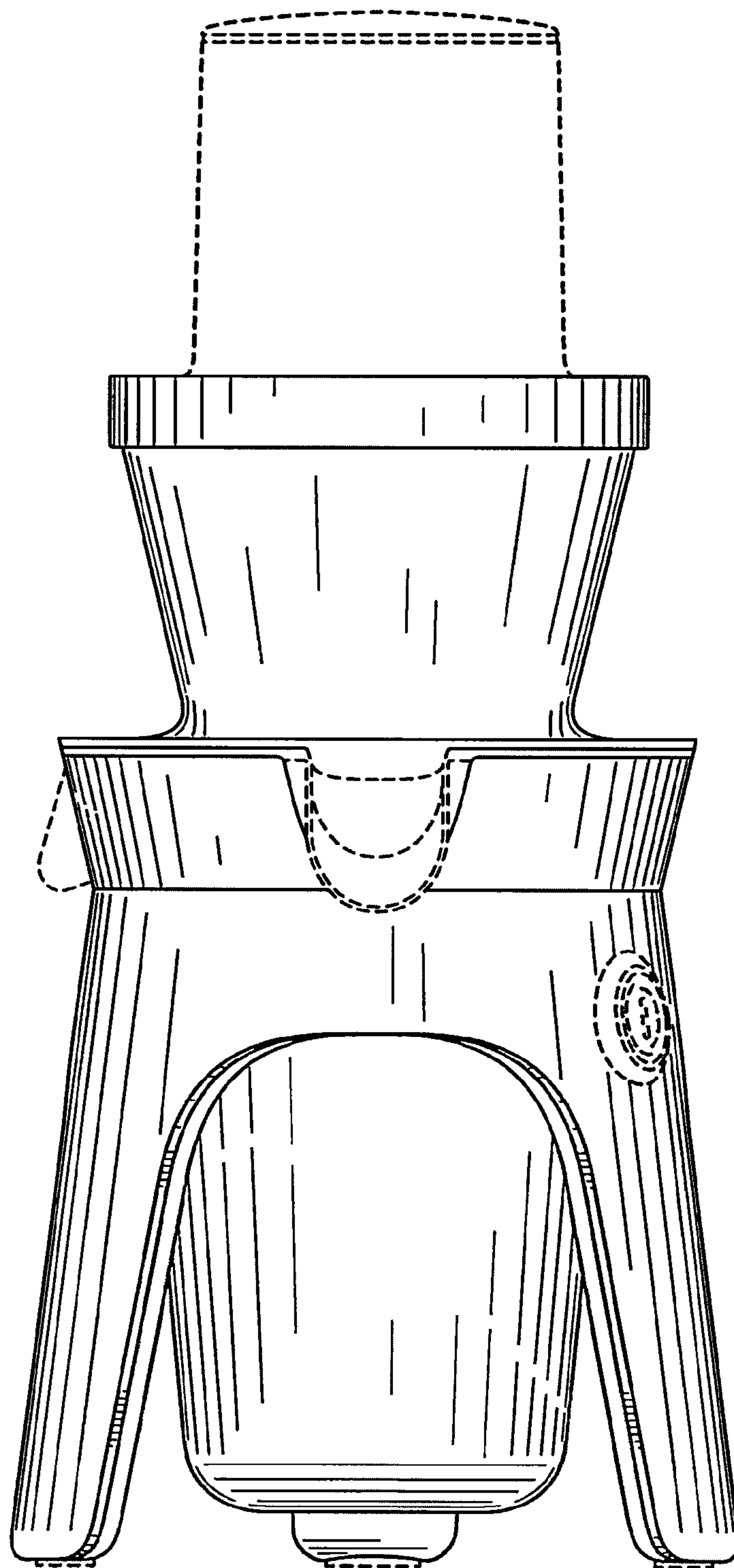


FIG. 1

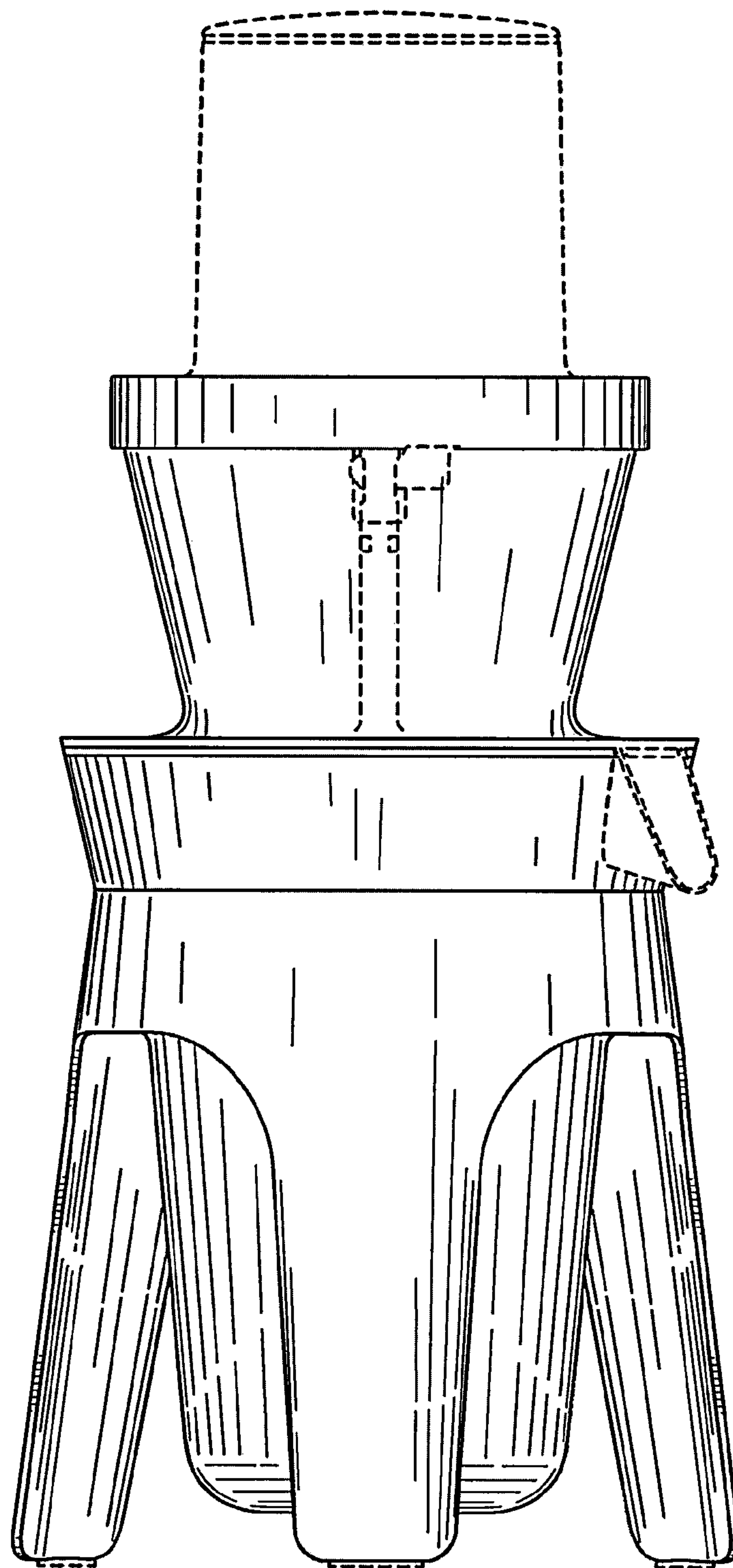


FIG. 2

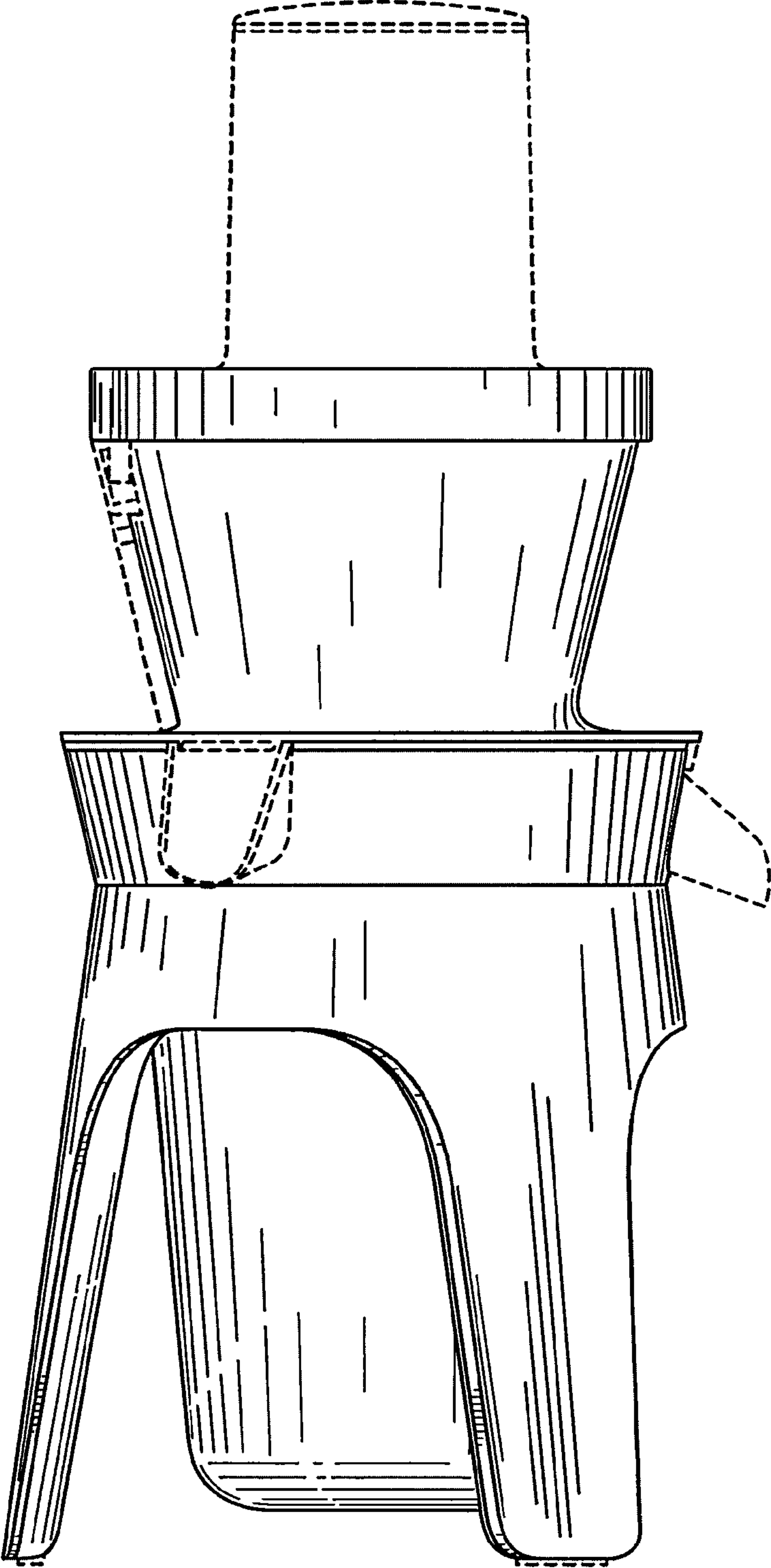


FIG. 3

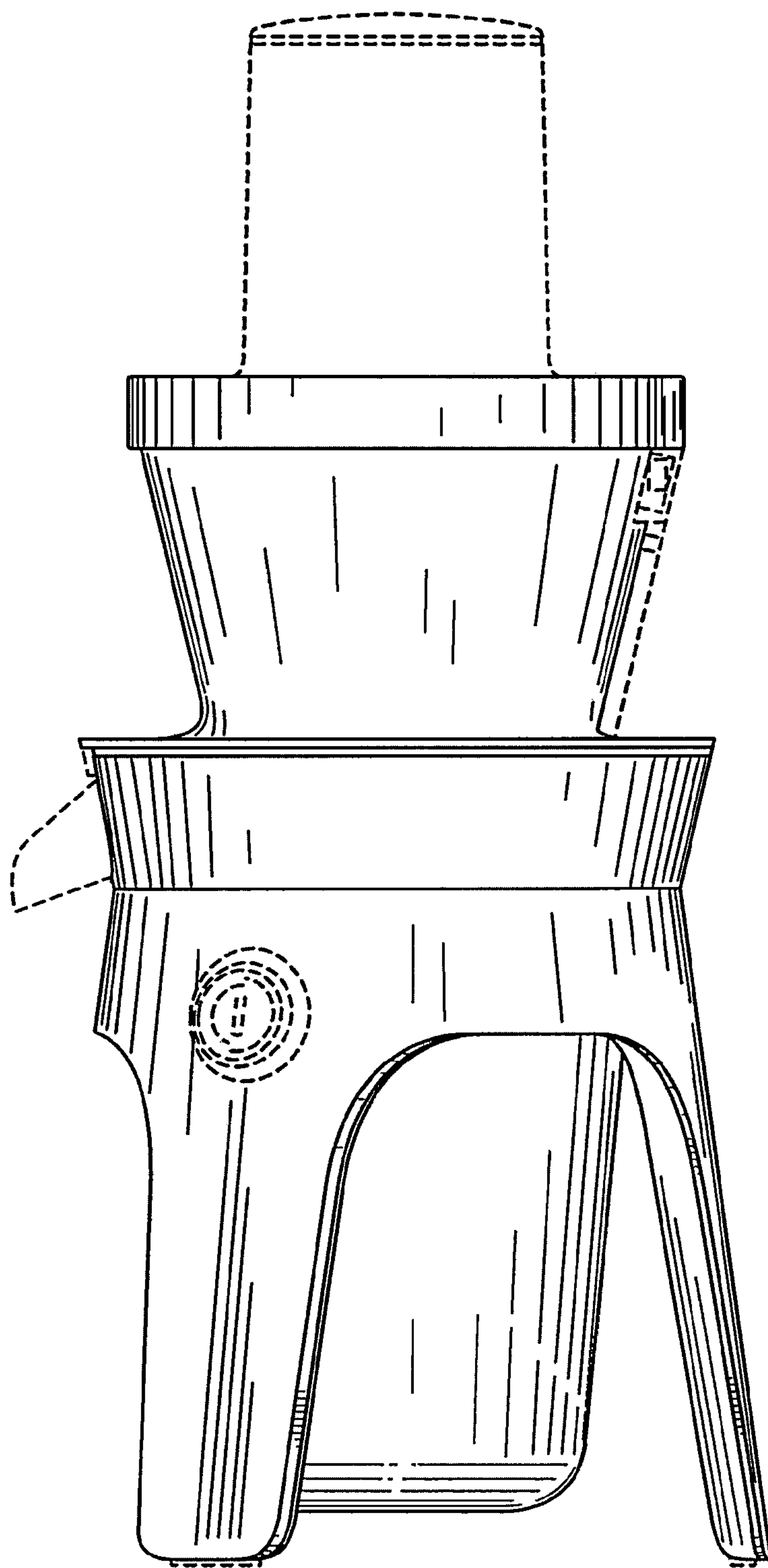


FIG. 4

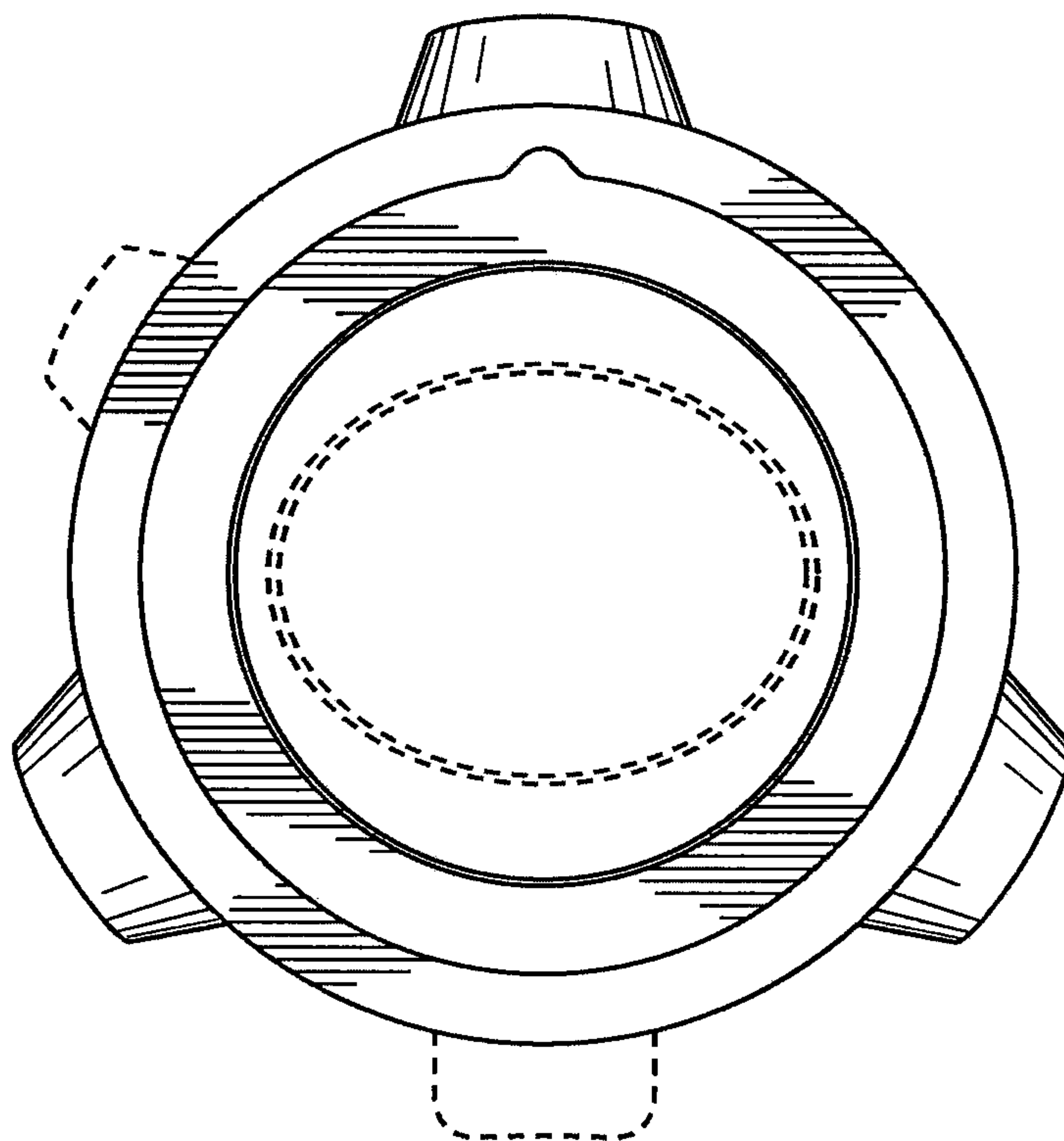


FIG. 5



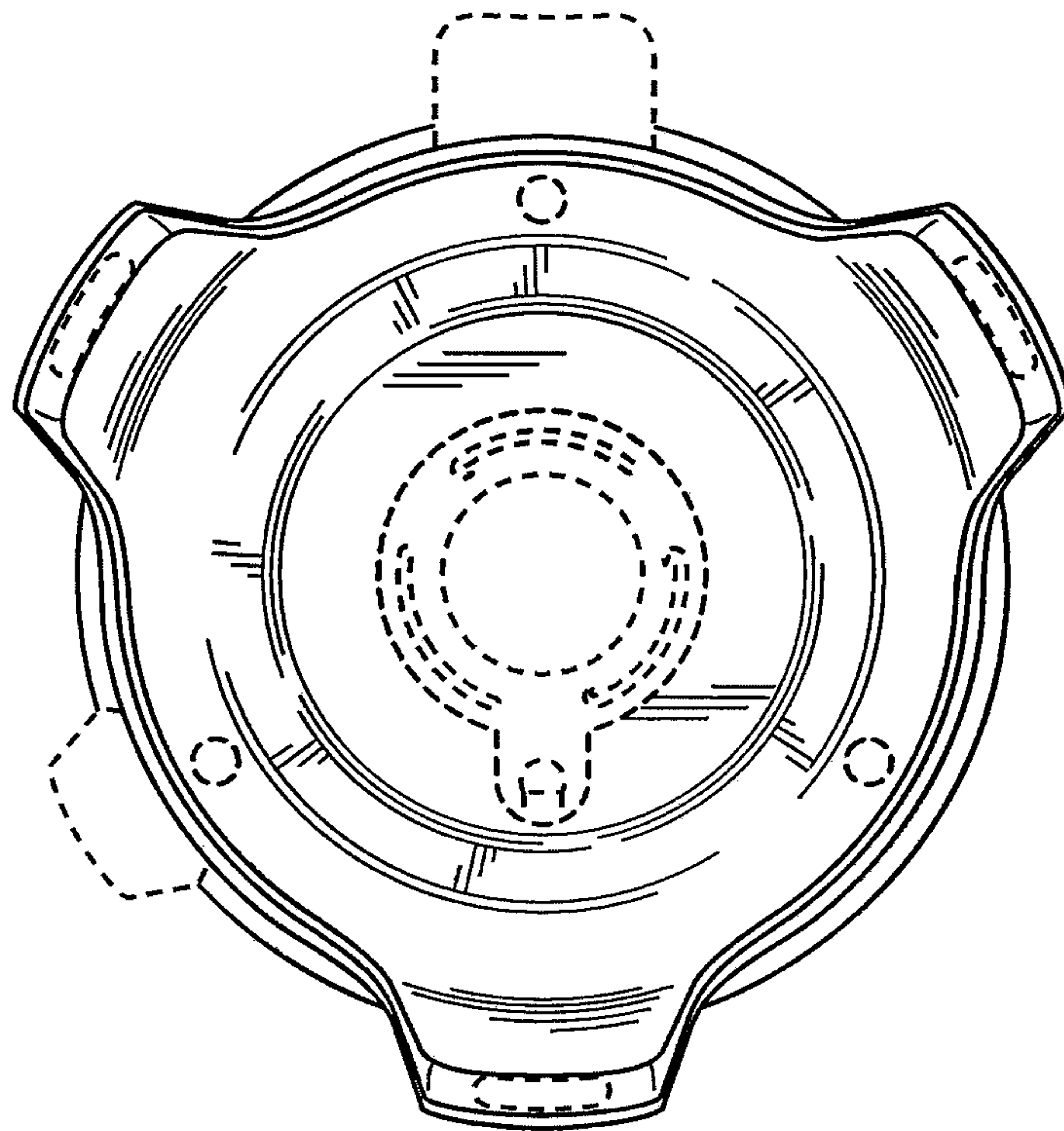


FIG. 6

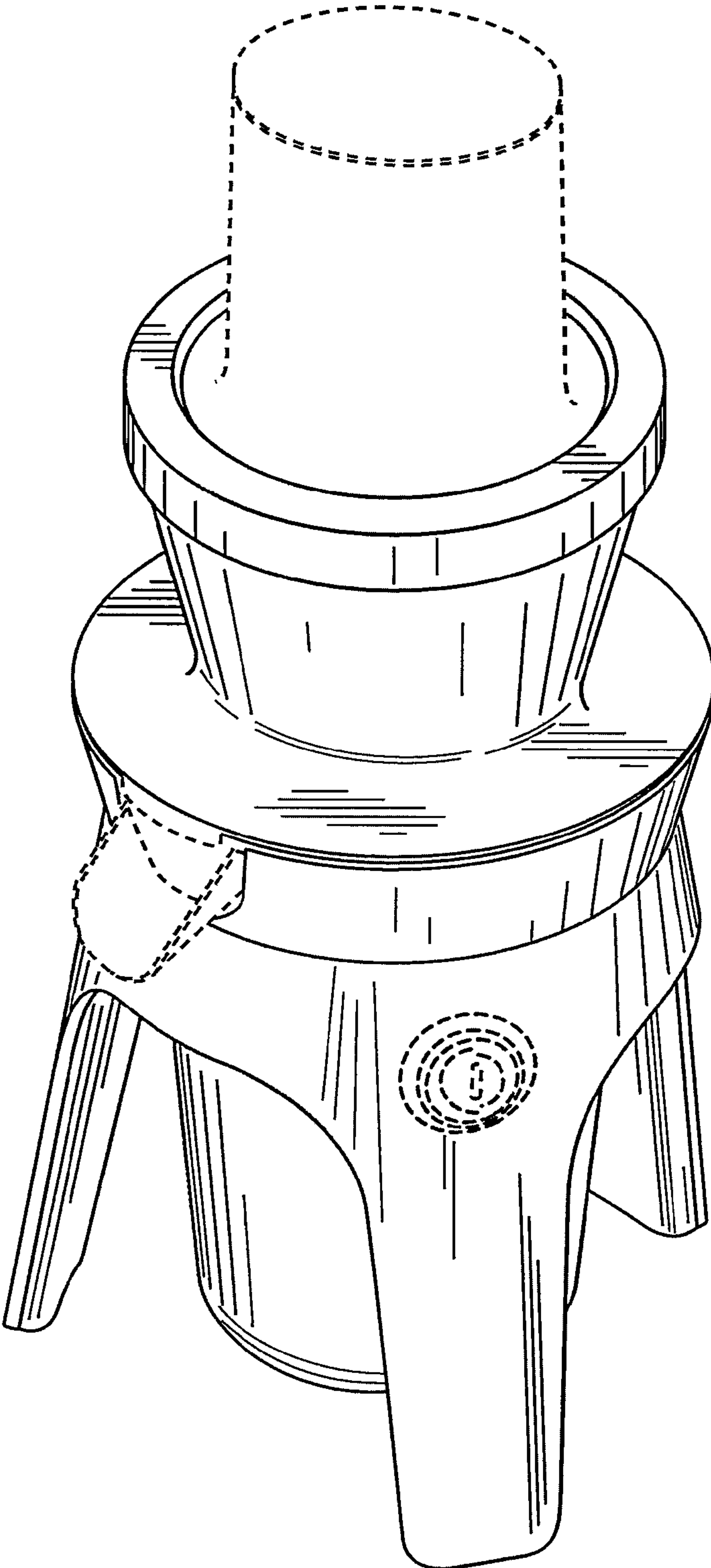


FIG. 7