



US00D686045S

(12) **United States Design Patent**
Stewart et al.

(10) **Patent No.:** **US D686,045 S**
(45) **Date of Patent:** **** Jul. 16, 2013**

(54) **SPOON SPREADER**

(76) Inventors: **Anna M. Stewart**, Naples, NY (US);
Stephen Kraigh Stewart, Naples, NY
(US)

(**) Term: **14 Years**

(21) Appl. No.: **29/415,139**

(22) Filed: **Mar. 7, 2012**

(51) **LOC (9) Cl.** **07-03**

(52) **U.S. Cl.**
USPC **D7/653**; D7/401.2; D7/642

(58) **Field of Classification Search**
USPC D1/123; D7/368, 393-395, 401.2,
D7/642-646, 649-654, 660-664, 669, 675-676,
D7/683, 688-692, 695-696; 30/120.1, 125,
30/129, 137, 141-143, 147-150, 322-329,
30/340, 342-344; 215/228; 220/212; 222/101,
222/106, 192; 229/401; 416/70 R, 75; 426/115;
604/73

See application file for complete search history.

(56) **References Cited**

U.S. PATENT DOCUMENTS

1,321,670	A *	11/1919	Popper	30/143
1,521,768	A *	1/1925	Herrmann	30/328
1,625,335	A *	4/1927	Schneider	215/228
1,851,942	A *	3/1932	Christie	30/328
2,598,987	A *	6/1952	Franzen	215/228
2,812,577	A *	11/1957	Leibow	30/324
3,116,152	A *	12/1963	Smith	426/115
3,487,974	A *	1/1970	Schovee	220/212
3,828,999	A *	8/1974	Humphrey	229/401
D240,790	S *	8/1976	Daenen	D7/653

(Continued)

Primary Examiner — Ricky Pham

(74) *Attorney, Agent, or Firm* — Smith Risley Tempel
Santos LLC; Gregory Scott Smith

(57) **CLAIM**

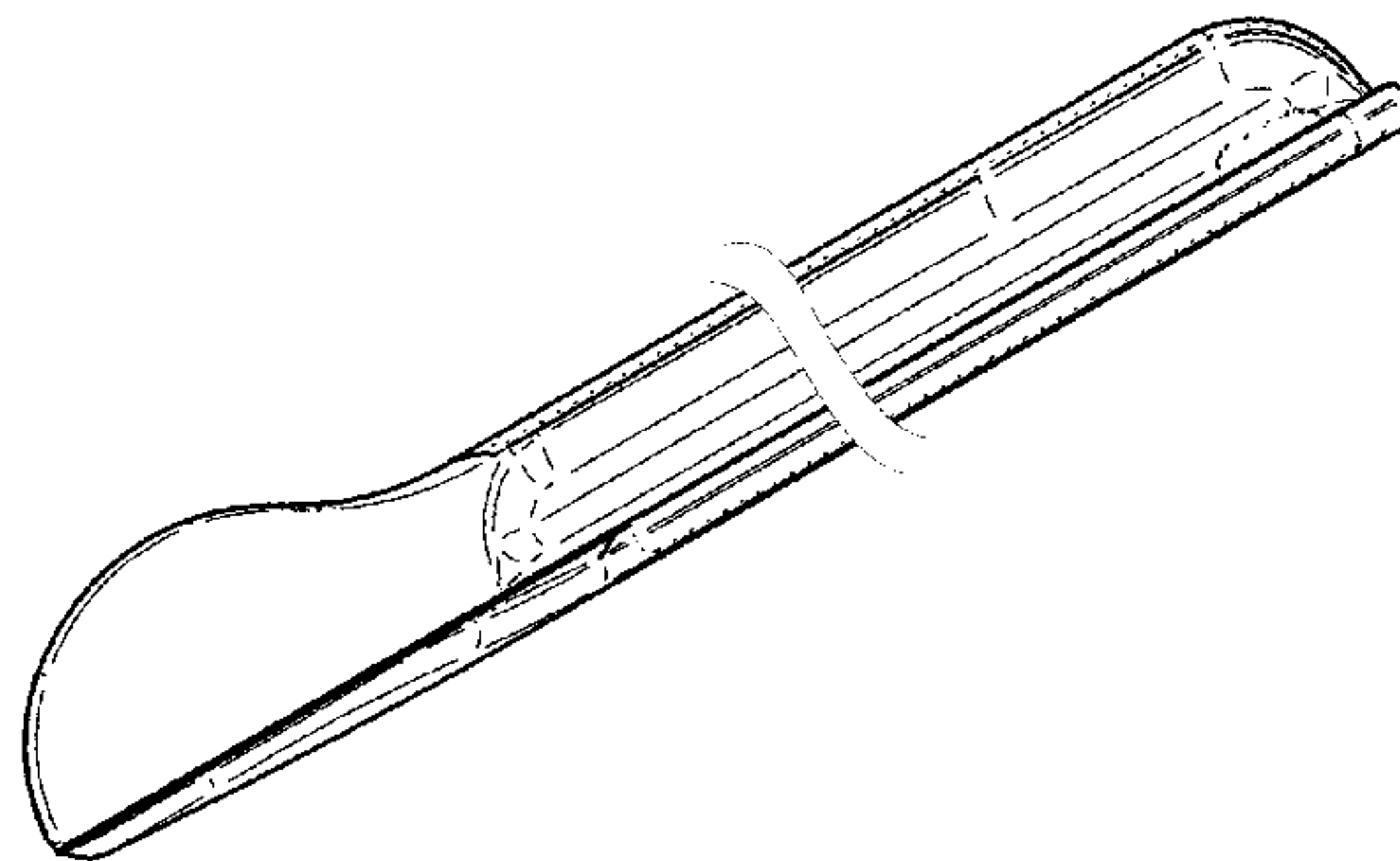
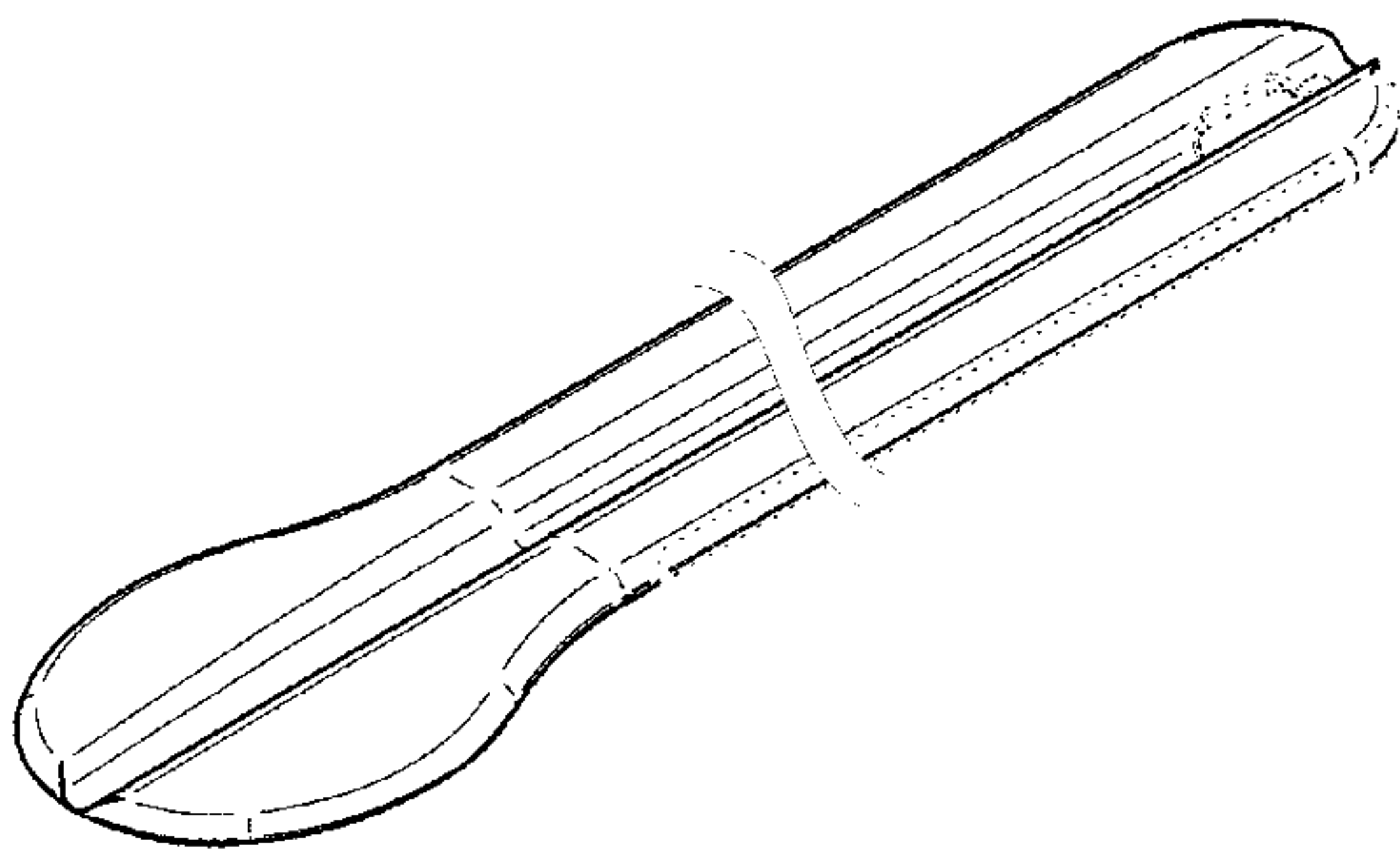
The ornamental design for a spoon spreader, as shown and described.

DESCRIPTION

FIG. 1 is a perspective view from the top-side of our spoon spreader;
 FIG. 2 is a perspective view from the bottom-side of the spoon spreader as shown in FIG. 1;
 FIG. 3 is left side plan view of the spoon spreader shown in FIG. 1 and FIG. 2;
 FIG. 4 is a top plan view of the spoon spreader shown in FIG. 1 and FIG. 2;
 FIG. 5 is a handle end plan view of the spoon spreader shown in FIG. 1 and FIG. 2;
 FIG. 6 is a spoon end plan view of the spoon spreader shown in FIG. 1 and FIG. 2;
 FIG. 7 is right side plan view of the spoon spreader shown in FIG. 1 and FIG. 2;
 FIG. 8 is a bottom plan view of the spoon spreader shown in FIG. 1 and FIG. 2;
 FIG. 9 is a perspective view from the top-side of the spoon spreader shown in FIG. 1 and FIG. 2 in a folded configuration;
 FIG. 10 is a perspective view from the bottom-side of the spoon spreader shown in FIG. 1 and FIG. 2 in a folded configuration;
 FIG. 11 is left side plan view of the spoon spreader shown in FIG. 9 and FIG. 10;
 FIG. 12 is a top plan view of the spoon spreader shown in FIG. 9 and FIG. 10;
 FIG. 13 is a handle end plan view of the spoon spreader shown in FIG. 9 and FIG. 10;
 FIG. 14 is a spoon end plan view of the spoon spreader shown in FIG. 9 and FIG. 10;
 FIG. 15 is right side plan view of the spoon spreader shown in FIG. 9 and FIG. 10; and,
 FIG. 16 is a bottom plan view of the spoon spreader shown in FIG. 9 and FIG. 10.

The broken lines shown throughout the drawings form no part of the claimed design.

1 Claim, 6 Drawing Sheets



US D686,045 S

Page 2

U.S. PATENT DOCUMENTS

4,060,176	A *	11/1977	Tobiasson	220/212	D586,535	S *	2/2009	Soliz	D1/123
4,830,222	A *	5/1989	Read	222/106	7,856,722	B2 *	12/2010	Lago-Arenas	30/147
4,880,409	A *	11/1989	Bergkvist et al.	604/73	7,975,386	B1 *	7/2011	Halvorson	30/141
5,491,895	A *	2/1996	Lee	30/125	D646,529	S *	10/2011	Cross	D7/642
5,992,667	A *	11/1999	Huang	220/212	D651,480	S *	1/2012	Cross	D7/642
6,347,727	B1 *	2/2002	Diaz	222/101	2007/0079513	A1 *	4/2007	Lago-Arenas	30/147
D530,986	S *	10/2006	Lago-Arenas	D7/645	2010/0116772	A1 *	5/2010	Teys	215/228
D545,640	S *	7/2007	Risden	D7/653	2011/0024462	A1 *	2/2011	Teys et al.	222/192

* cited by examiner

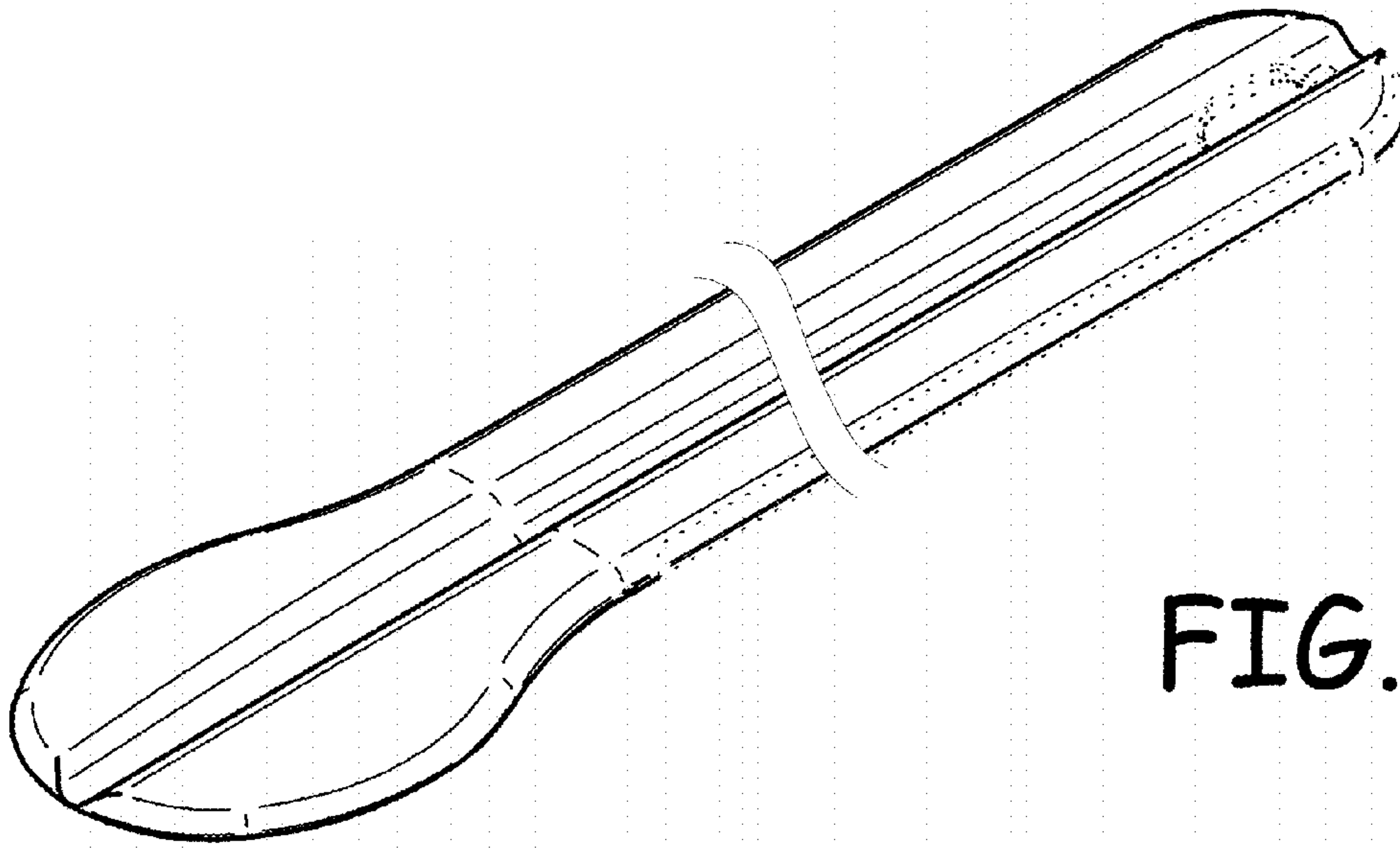


FIG. 1

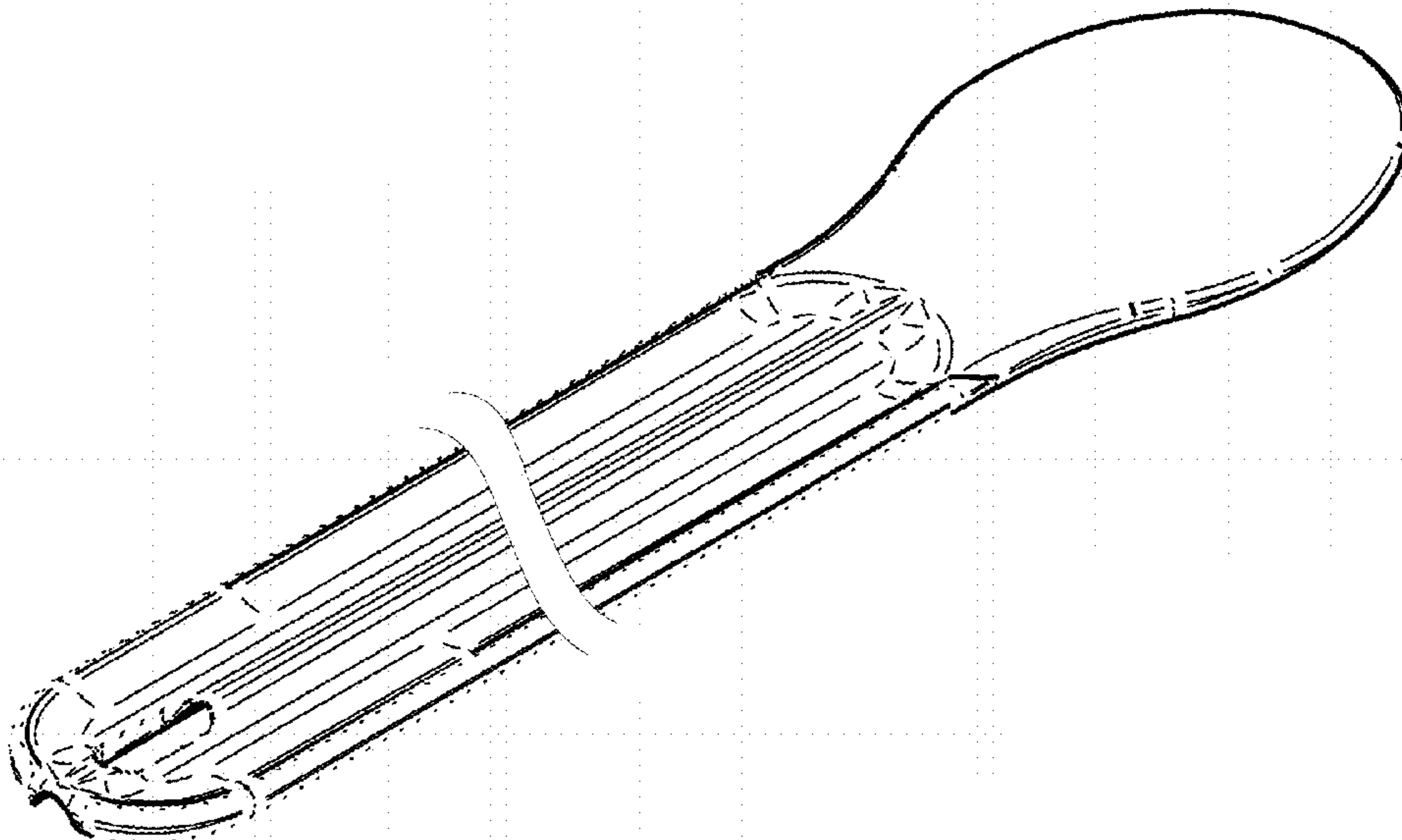


FIG. 2

FIG. 5

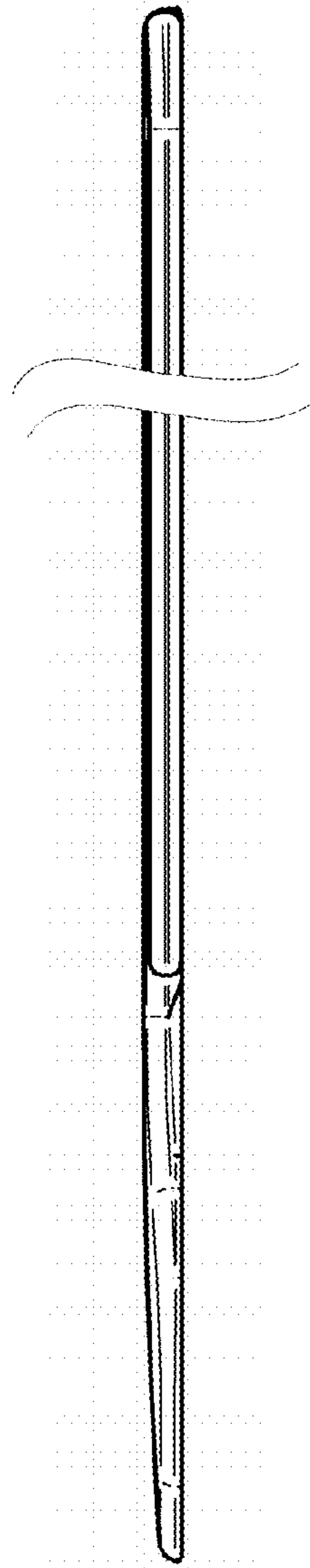


FIG. 3

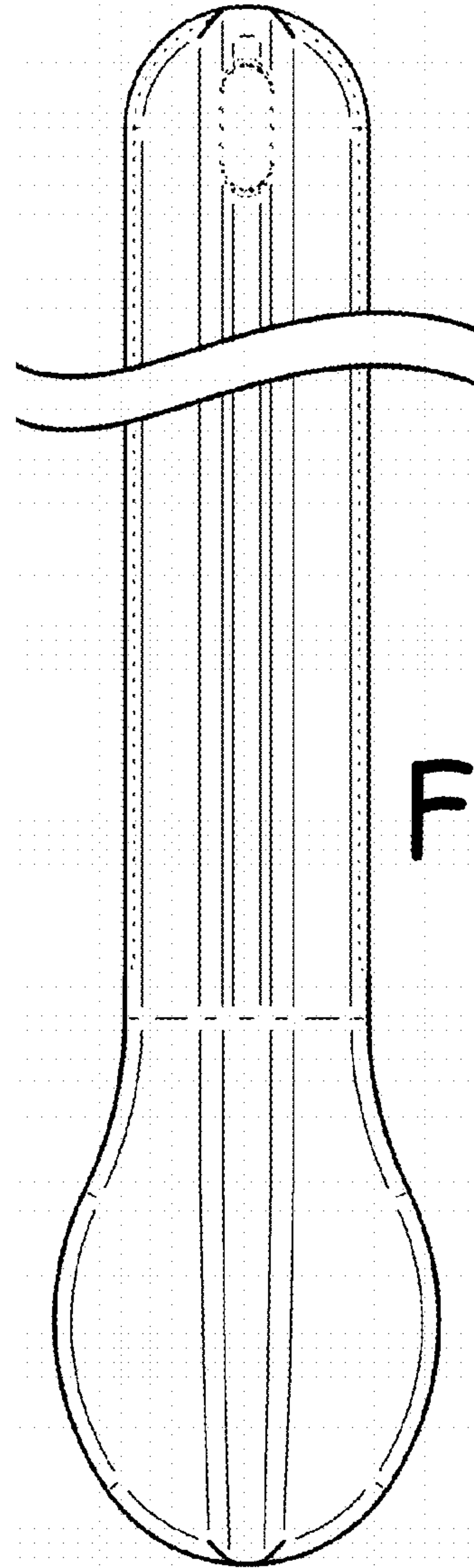


FIG. 4



FIG. 6

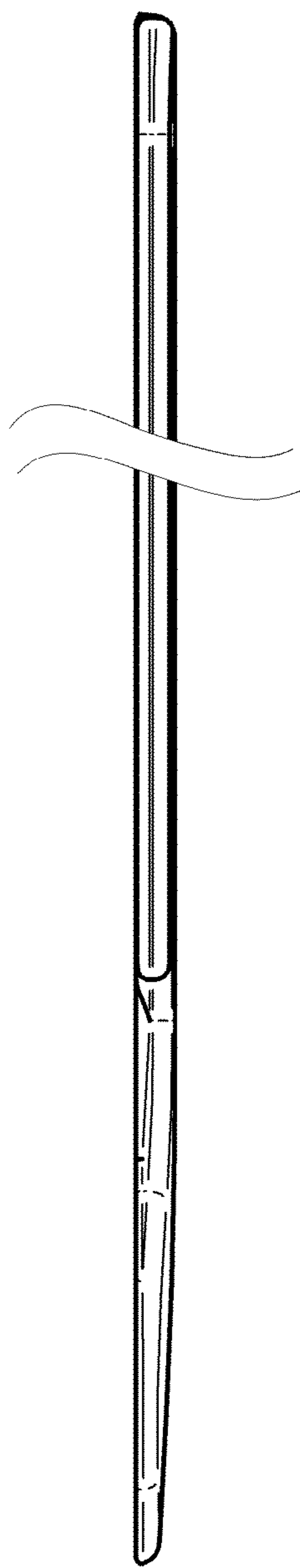


FIG. 7

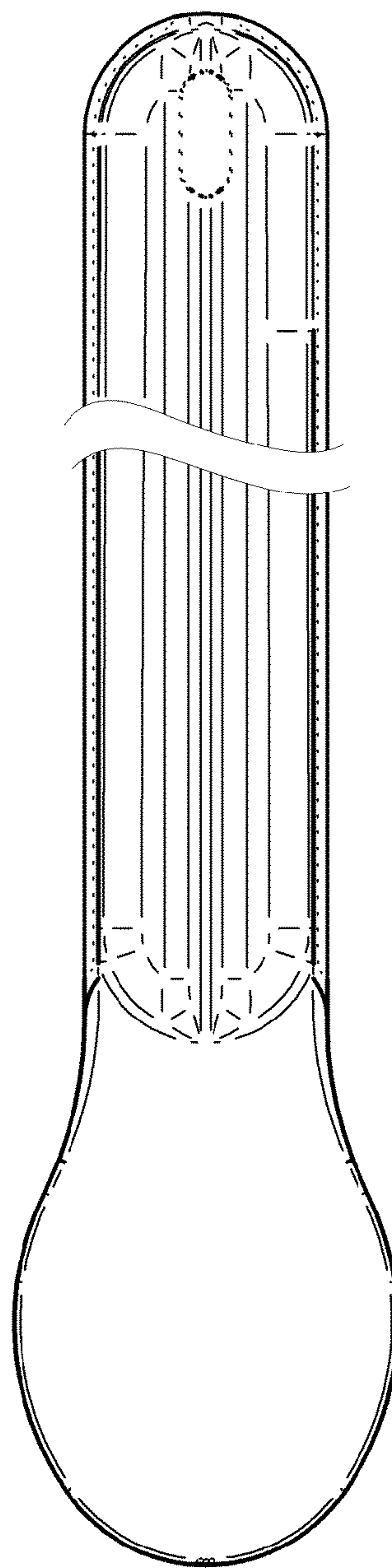


FIG. 8

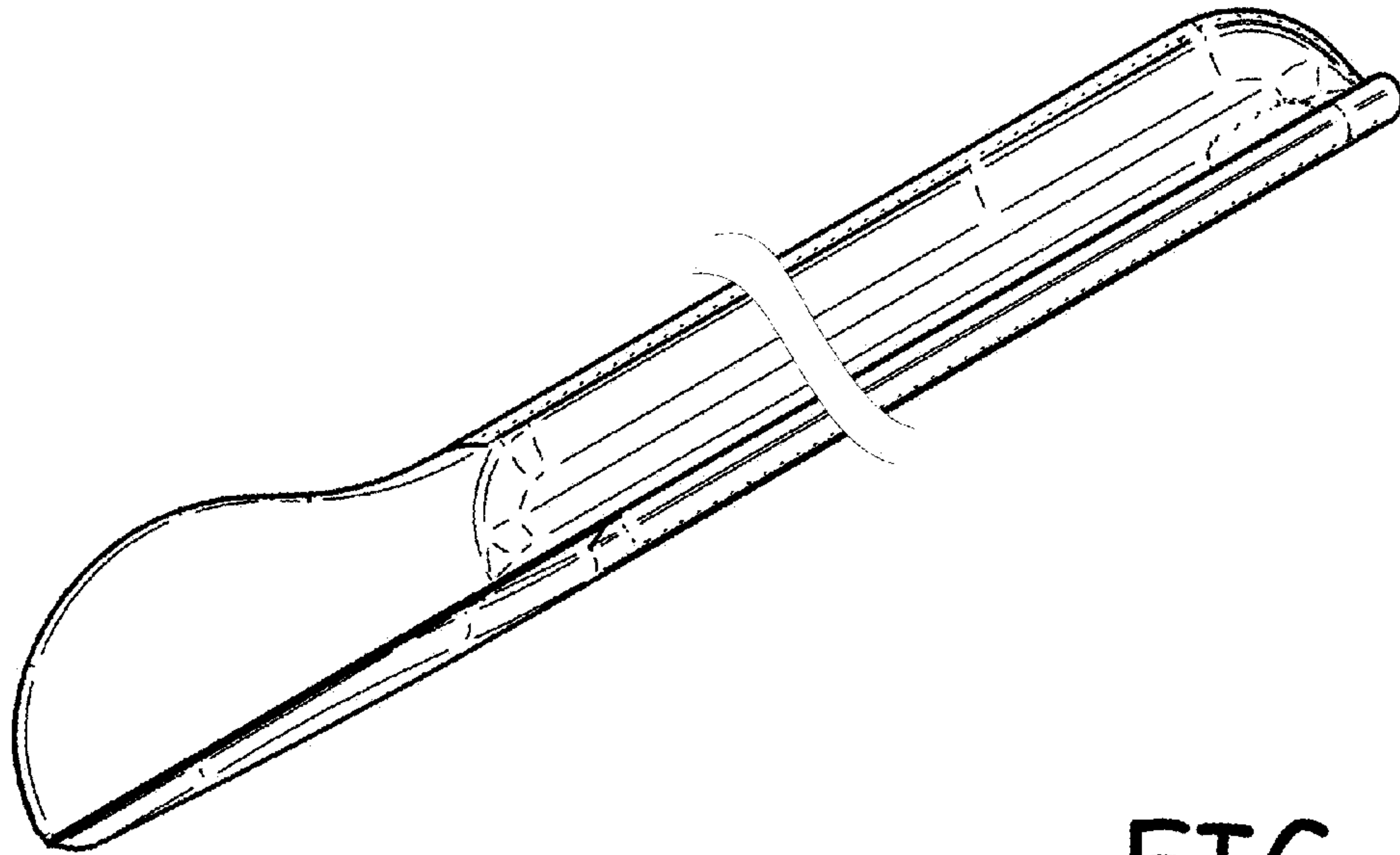


FIG. 9

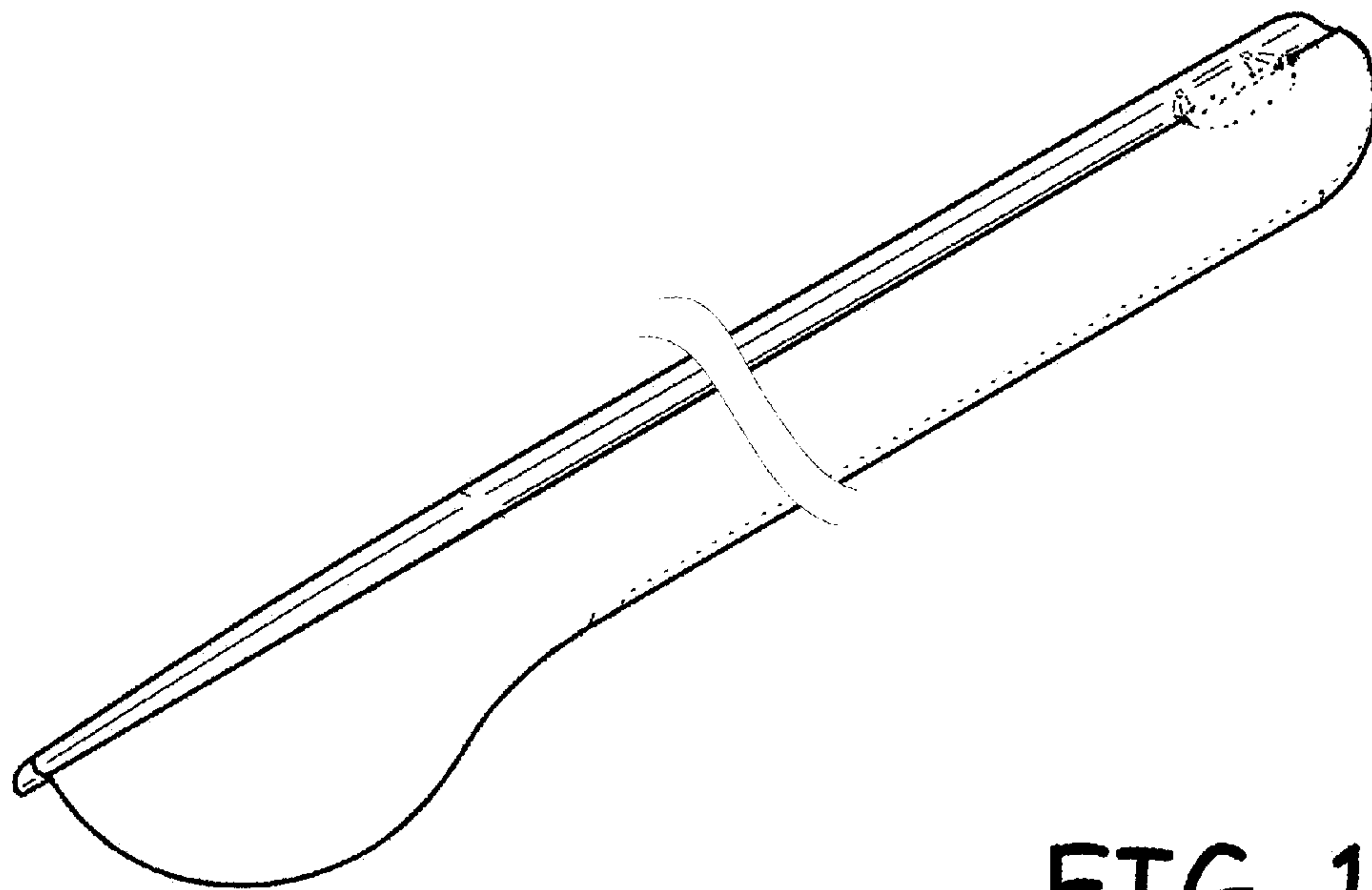


FIG. 10

FIG. 13

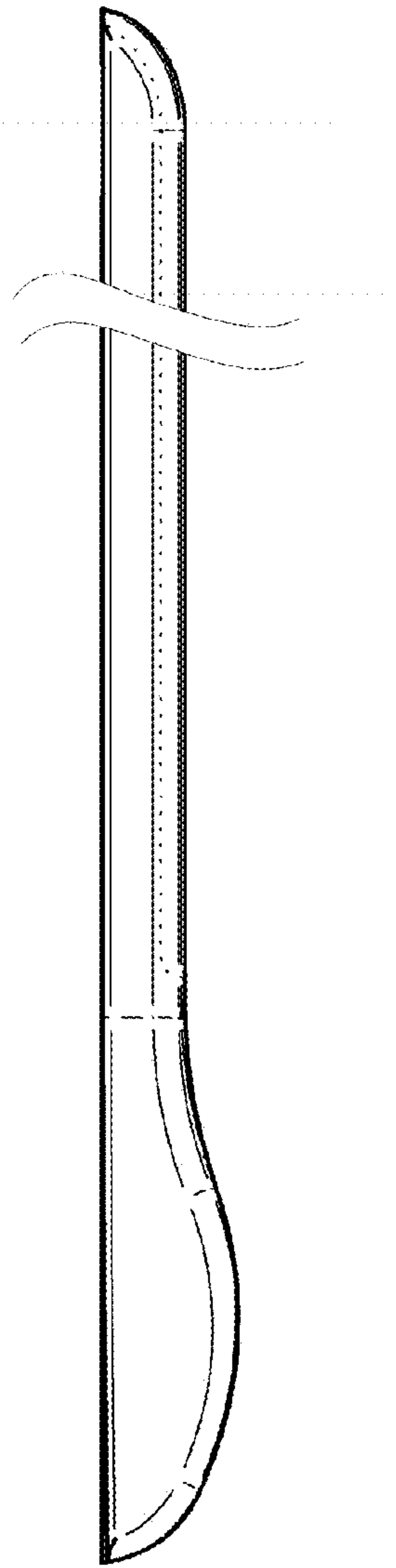


FIG. 11

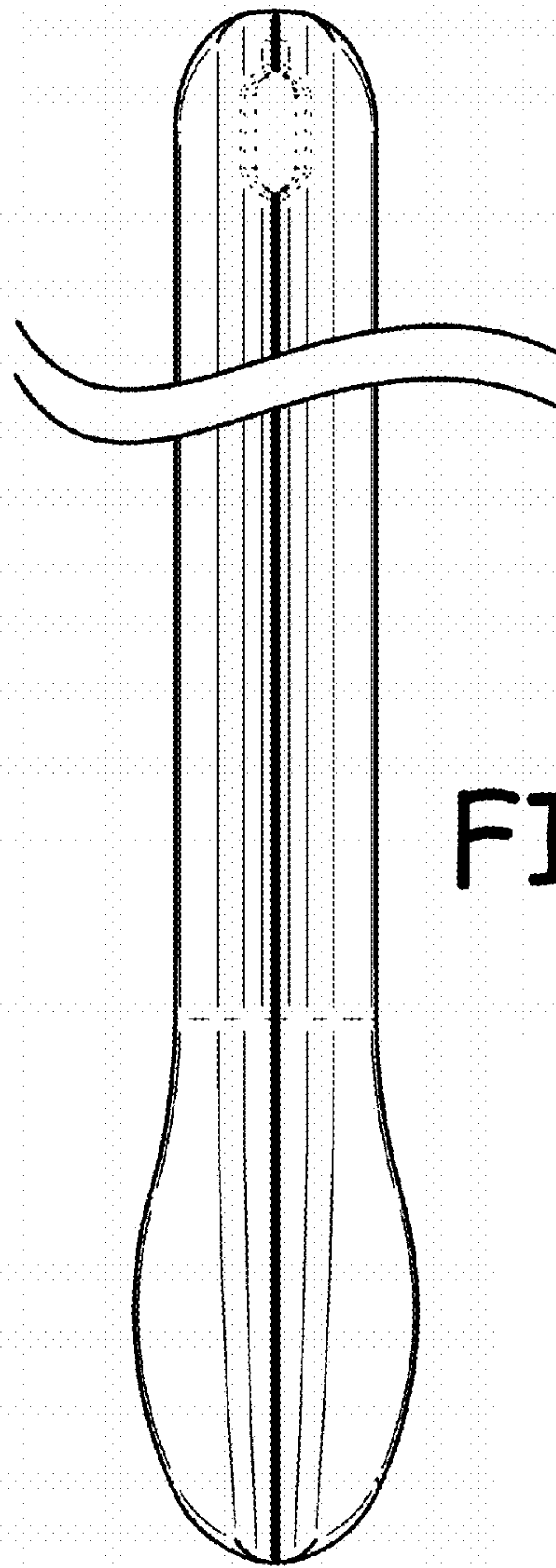


FIG. 12



FIG. 14

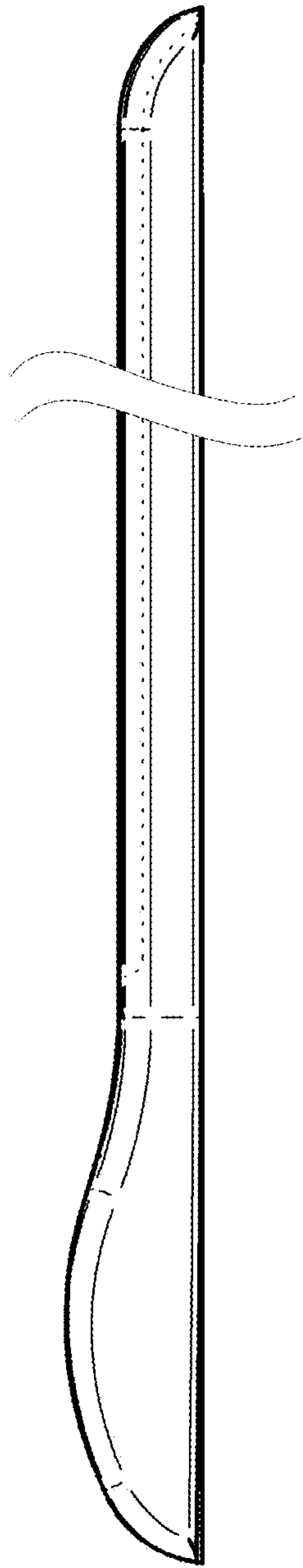


FIG. 15

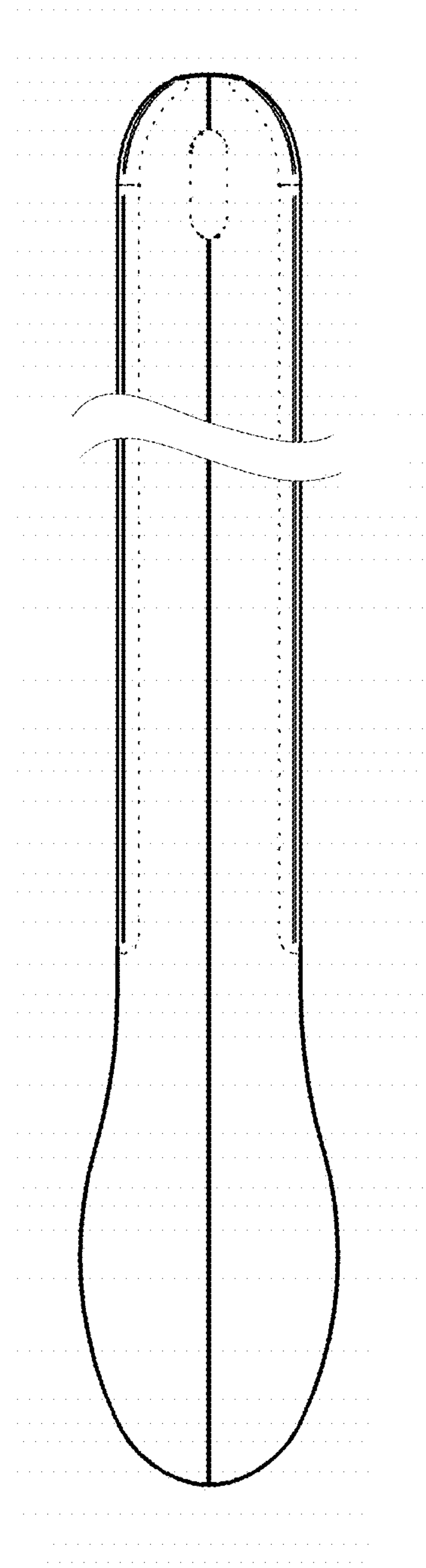


FIG. 16