



US00D686044S

(12) **United States Design Patent**
Del Solar et al.

(10) **Patent No.:** **US D686,044 S**
(45) **Date of Patent:** **** Jul. 16, 2013**

(54) **CONTAINER**

D216,096 S 11/1969 Lawton
D220,560 S 4/1971 Johnson
3,741,421 A 6/1973 Wittwer

(71) Applicant: **Playtex Products, LLC**, Shelton, CT
(US)

(Continued)

(72) Inventors: **Maria Alexandra Del Solar**, Stamford,
CT (US); **Diana Sierra**, North Bergen,
NJ (US)

FOREIGN PATENT DOCUMENTS

EM 000062906-0001 8/2003
JP D1317658 11/2007

(Continued)

(73) Assignee: **Playtex Products, LLC**, Shelton, CT
(US)

OTHER PUBLICATIONS

<http://abbottnutrition.com/Products/similac-simply-smart>, Similac
Simply Smart, Abbot Nutrition for Healthcare Professionals 2011 (2
pages).

(Continued)

(**) Term: **14 Years**

(21) Appl. No.: **29/439,406**

(22) Filed: **Dec. 11, 2012**

Primary Examiner — Terry Wallace

(74) *Attorney, Agent, or Firm* — Ohlandt, Greeley, Ruggiero
and Perle, L.L.P.

Related U.S. Application Data

(62) Division of application No. 29/389,731, filed on Apr.
15, 2011, now Pat. No. Des. 675,067.

(51) **LOC (9) Cl.** **07-07**

(52) **U.S. Cl.**

USPC **D7/629**

(58) **Field of Classification Search**

USPC D7/628–630, 510, 511, 536, 538–542;
D9/516, 530, 539; 220/203.18, 303, 714,
220/731, 736, 212, 229, 375, 837, 780–806,
220/675, 574–575

See application file for complete search history.

(56) **References Cited**

U.S. PATENT DOCUMENTS

2,434,611 A 1/1948 Hamiel
D193,638 S 9/1962 Goldstein et al.
3,139,064 A 6/1964 Harle
3,232,466 A 2/1966 Fuad

(57)

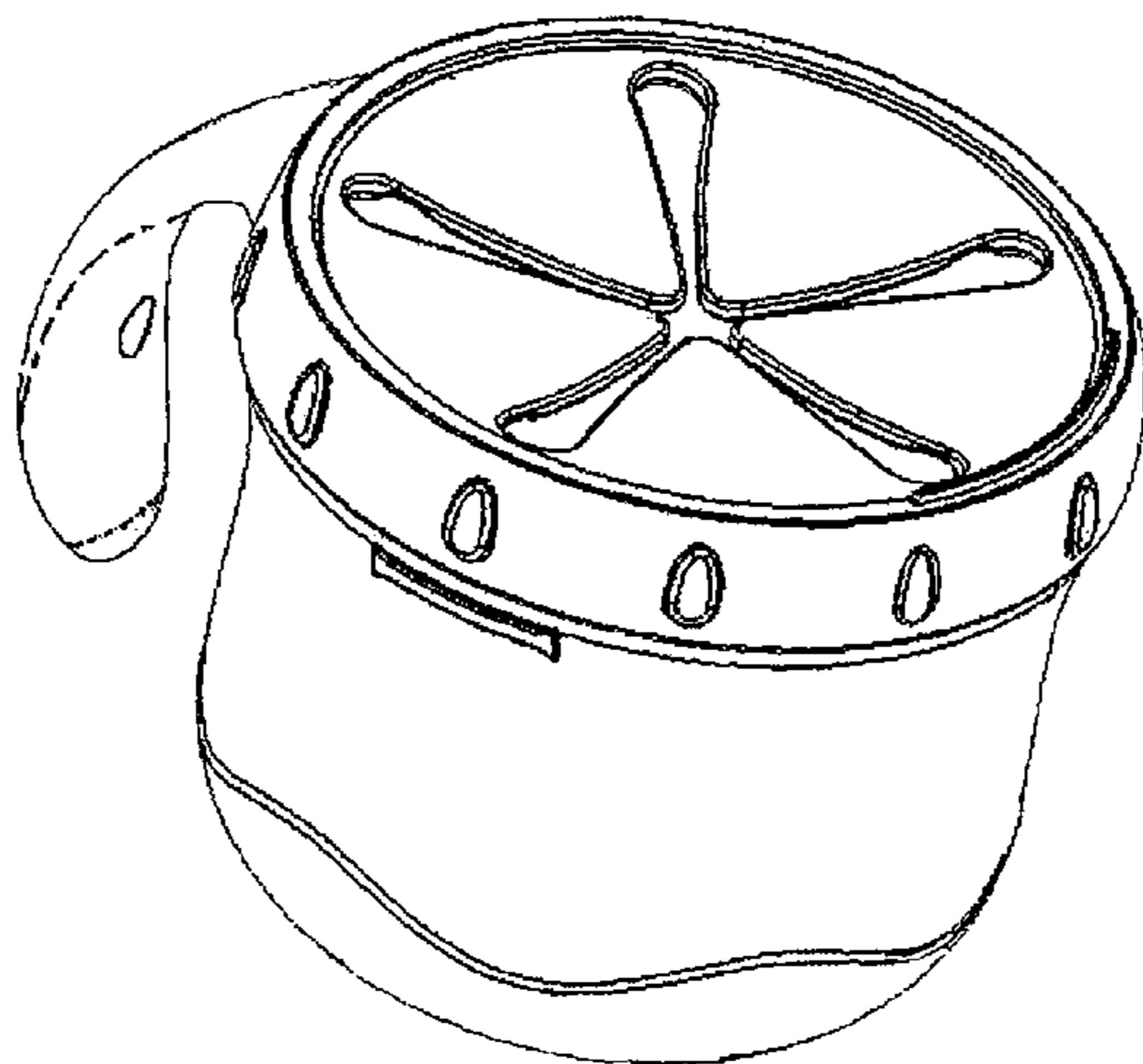
CLAIM

The ornamental design for the container, as shown and
described.

DESCRIPTION

FIG. 1 is a perspective view of the container according to an
exemplary embodiment of the present disclosure;
FIG. 2 is a front view of the container of FIG. 1;
FIG. 3 is a back view of the container of FIG. 1;
FIG. 4 is a left-side view of the container of FIG. 1;
FIG. 5 is a right-side view of the container of FIG. 1;
FIG. 6 is a top view of the container of FIG. 1; and,
FIG. 7 is a bottom view of the container of FIG. 1.
The broken lines in the drawings illustrating environmental
structure or boundaries that form no part of the claimed
design.

1 Claim, 7 Drawing Sheets



US D686,044 S

Page 2

U.S. PATENT DOCUMENTS

3,757,979 A 9/1973 Berghahn
4,127,211 A * 11/1978 Zerbey 220/212
4,289,248 A 9/1981 Lynn
D280,289 S 8/1985 Aldrich et al.
4,664,273 A 5/1987 Simon
4,723,673 A 2/1988 Tartaglia et al.
4,884,717 A * 12/1989 Bussard et al. 220/229
D307,238 S 4/1990 May
4,984,707 A 1/1991 Fierthaler
D322,224 S 12/1991 Miner
D330,860 S 11/1992 Gatrost
5,186,344 A 2/1993 Cook
5,292,017 A 3/1994 Reifers
5,518,134 A * 5/1996 Liu 220/816
5,617,968 A 4/1997 Luburic
D381,042 S 7/1997 Roche
5,938,054 A 8/1999 Loader
5,971,154 A 10/1999 Toren
5,988,412 A 11/1999 Minnette et al.
D428,813 S 8/2000 Haley
D460,322 S * 7/2002 Orr et al. D7/510
6,431,380 B1 8/2002 Branson
D465,971 S 11/2002 Renz
D471,110 S 3/2003 Booth et al.
D471,458 S 3/2003 Booth et al.
D483,611 S 12/2003 Ghanem
6,656,514 B1 * 12/2003 Tubbs 426/115
6,758,358 B1 7/2004 Bloom
D498,389 S * 11/2004 Tollman D7/538
6,883,672 B2 4/2005 Dunn et al.
D514,942 S 2/2006 Weber
7,021,486 B1 4/2006 Hurlbut
7,040,497 B2 5/2006 Weiler et al.
D559,112 S 1/2008 Hyde et al.
7,331,479 B2 2/2008 Oh
D579,722 S * 11/2008 Sakulsacha et al. D7/510

D582,723 S 12/2008 Renz et al.
D583,240 S 12/2008 Bourne
D583,671 S 12/2008 Bourne
D606,873 S 12/2009 Fischer
D612,250 S 3/2010 Shah
D616,249 S * 5/2010 Galinski D7/548
7,766,166 B2 8/2010 Cognome Dotta
2004/0112896 A1 * 6/2004 Lewis 220/212
2005/0252923 A1 * 11/2005 Woolf 220/731
2005/0263523 A1 * 12/2005 Moss 220/229
2008/0116202 A1 5/2008 Auer et al.
2009/0242562 A1 * 10/2009 Valderrama et al. 220/288
2010/0294764 A1 * 11/2010 Kemper et al. 220/203.18

FOREIGN PATENT DOCUMENTS

JP D1316442 12/2007
TW 325357 1/1998
TW D100383 1/2008

OTHER PUBLICATIONS

<http://similac.com/baby-formula/baby-bottle>, New Similac Simply Smart baby bottle, 2011 (3 pages).
Search Report dated Jun. 1, 1998 from corresponding Taiwanese Patent Application No. 098303502 (3 pages).
International Search Report and Written Opinion dated Jul. 20, 2009 from corresponding International Patent Application No. PCT/US2009/001994 (8 pages).
Munchkin Snack Catcher—first use in Commerce Sep. 30, 2006 (1 page).
International Search Report and Written Opinion dated Jul. 5, 2012 from corresponding International Patent Application No. PCT/US2012/033568 (9 pages).
International Preliminary Report on Patentability Dated Apr. 26, 2013 From PCT Application No. PCT/US2012/33568.

* cited by examiner

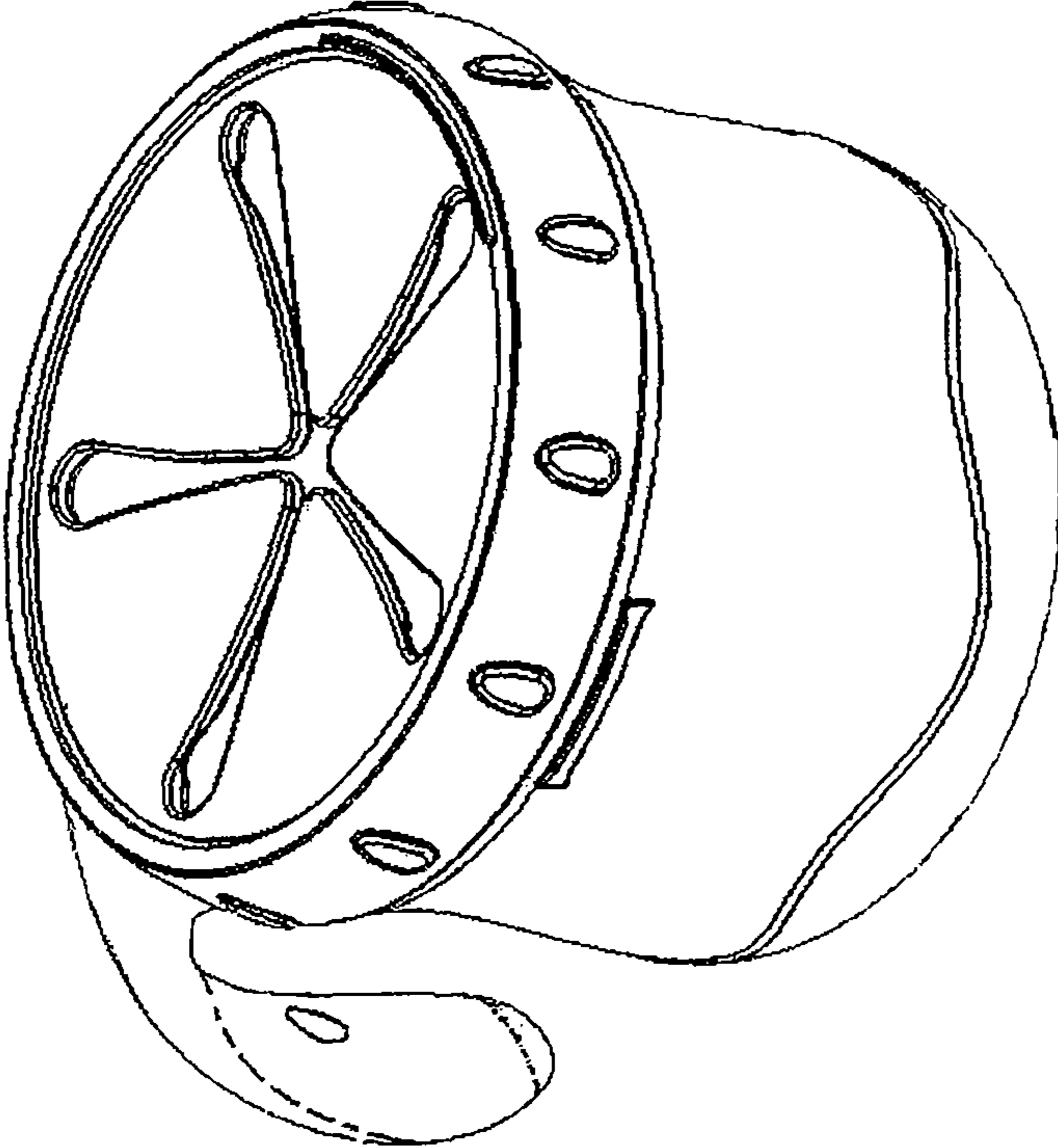


Fig. 1

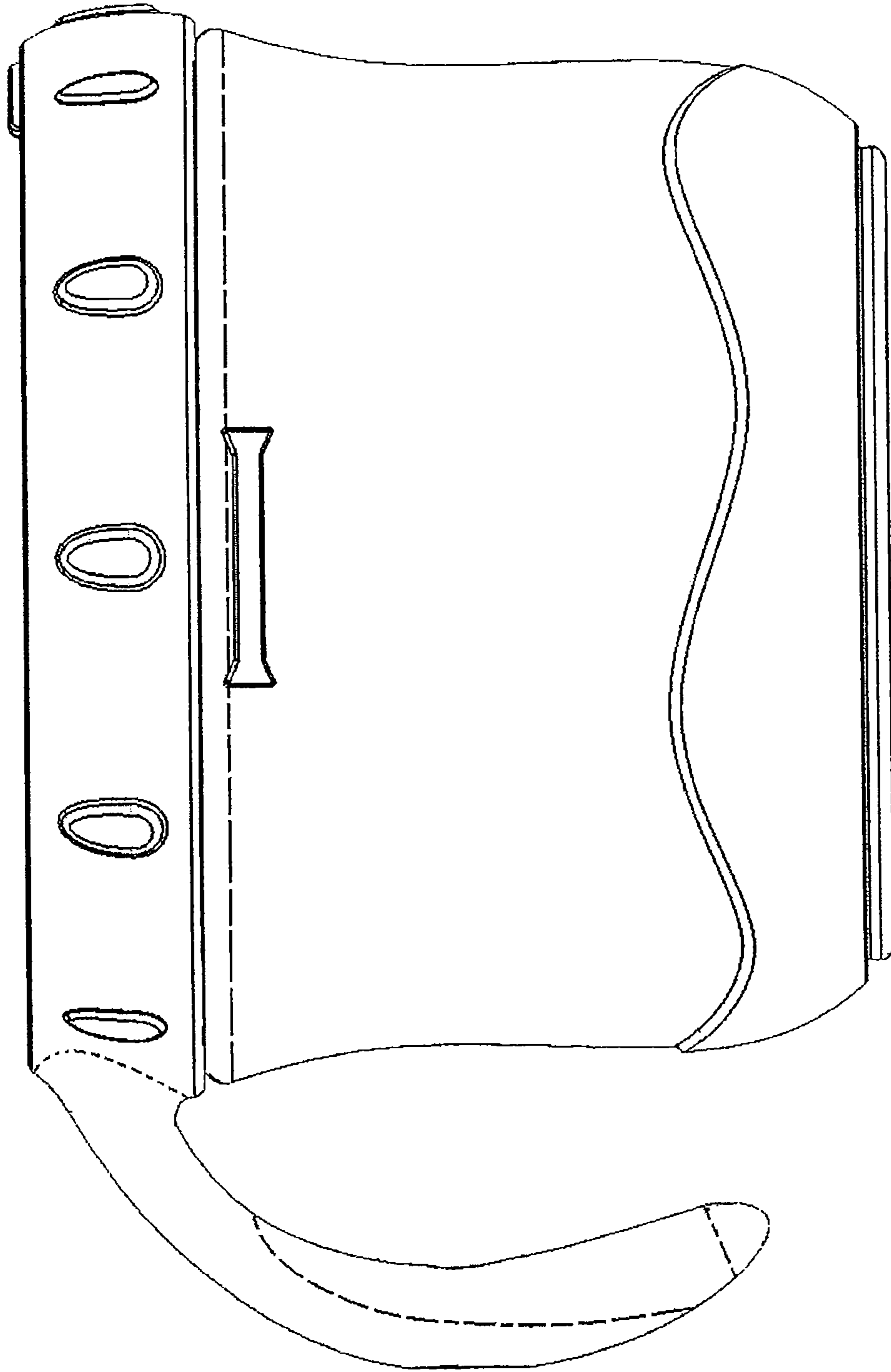


Fig. 2

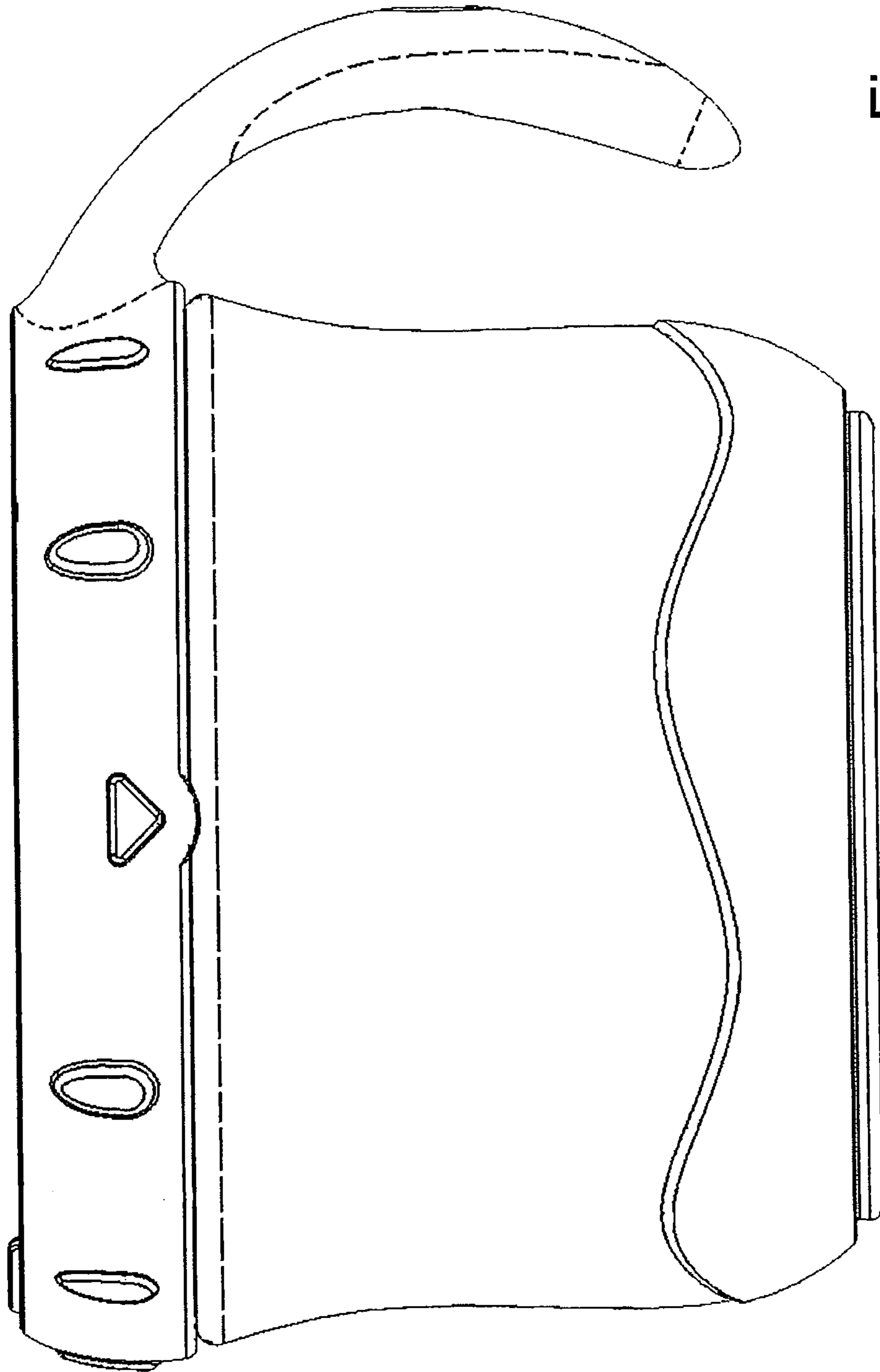


Fig. 3

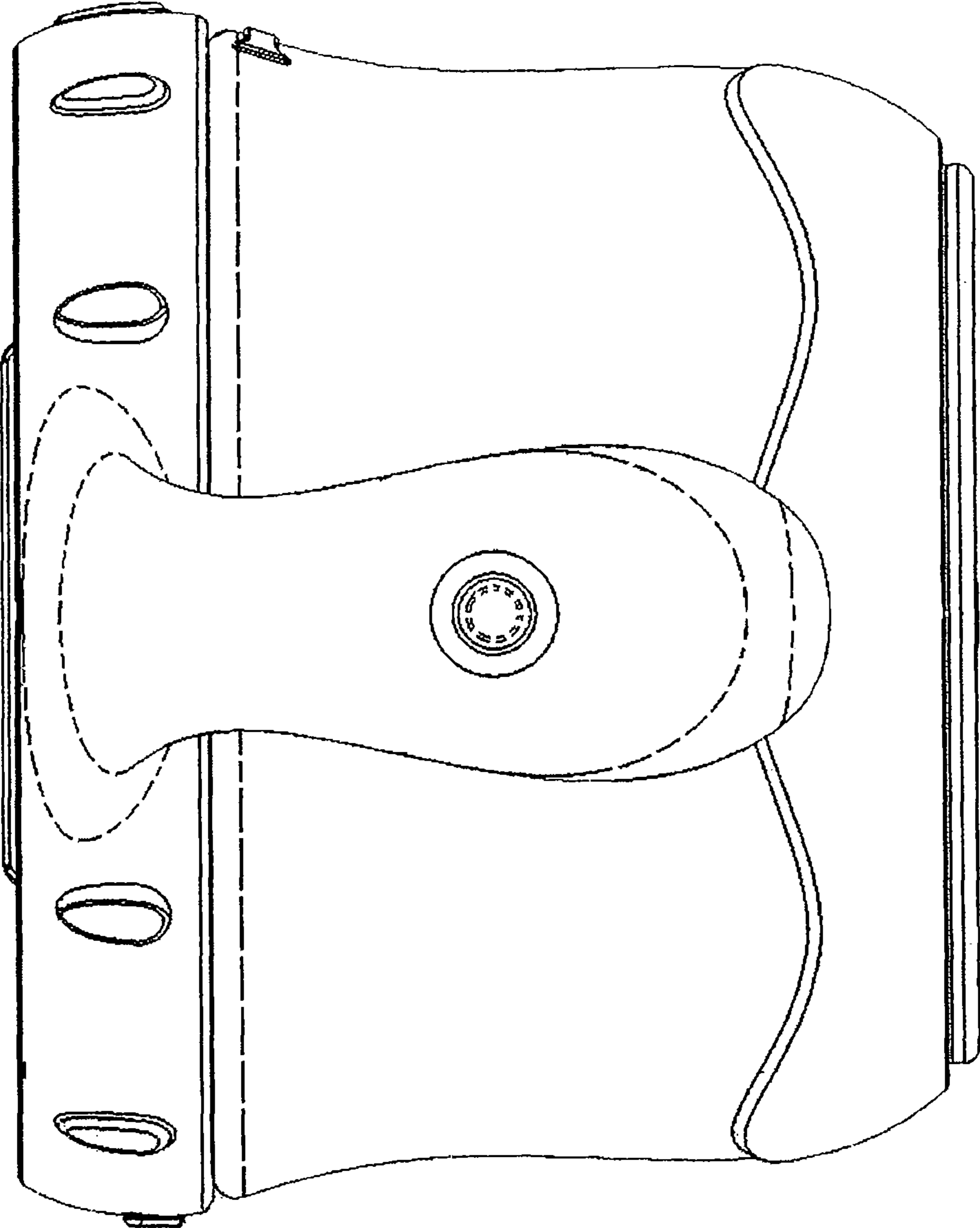


Fig. 4

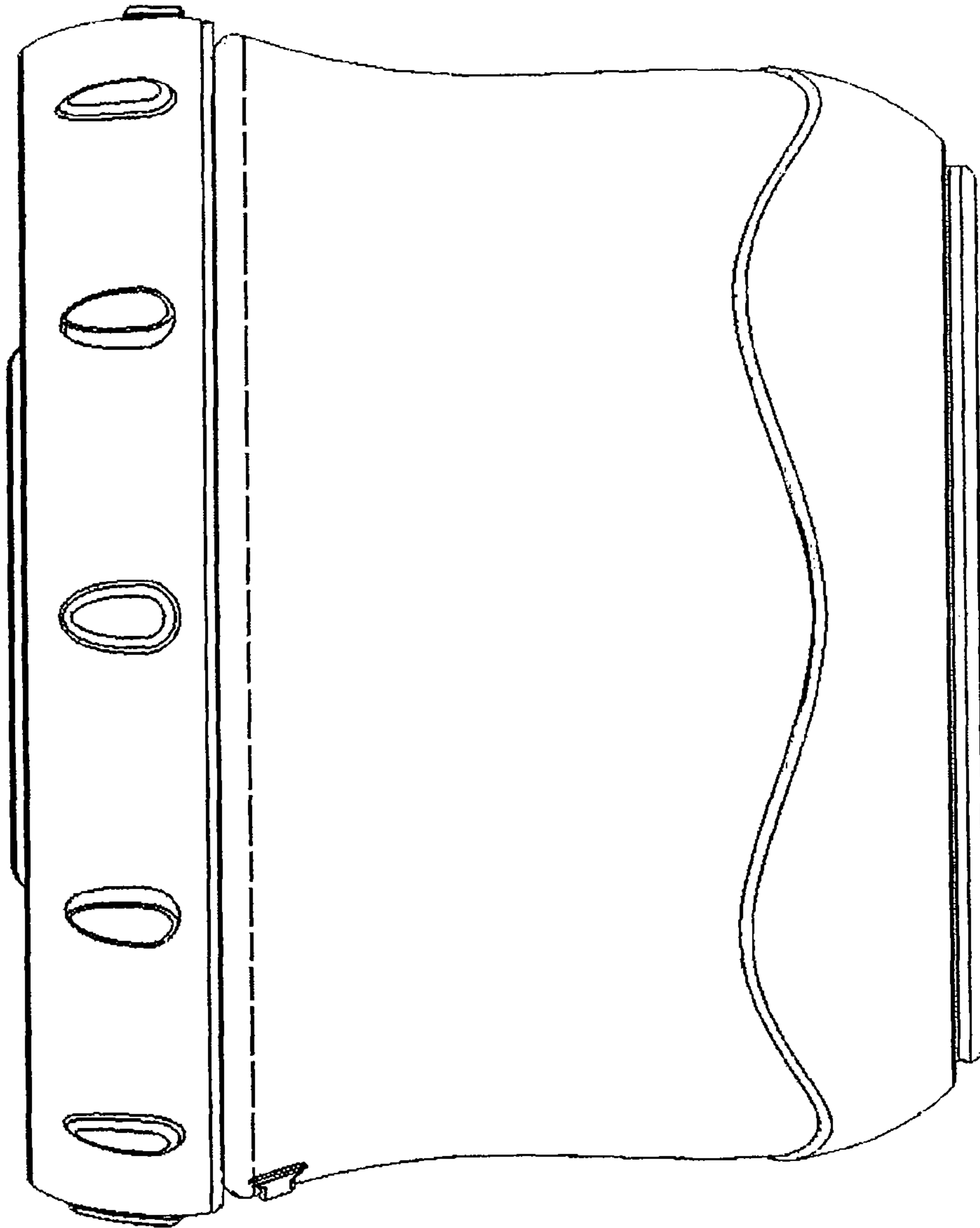


Fig. 5

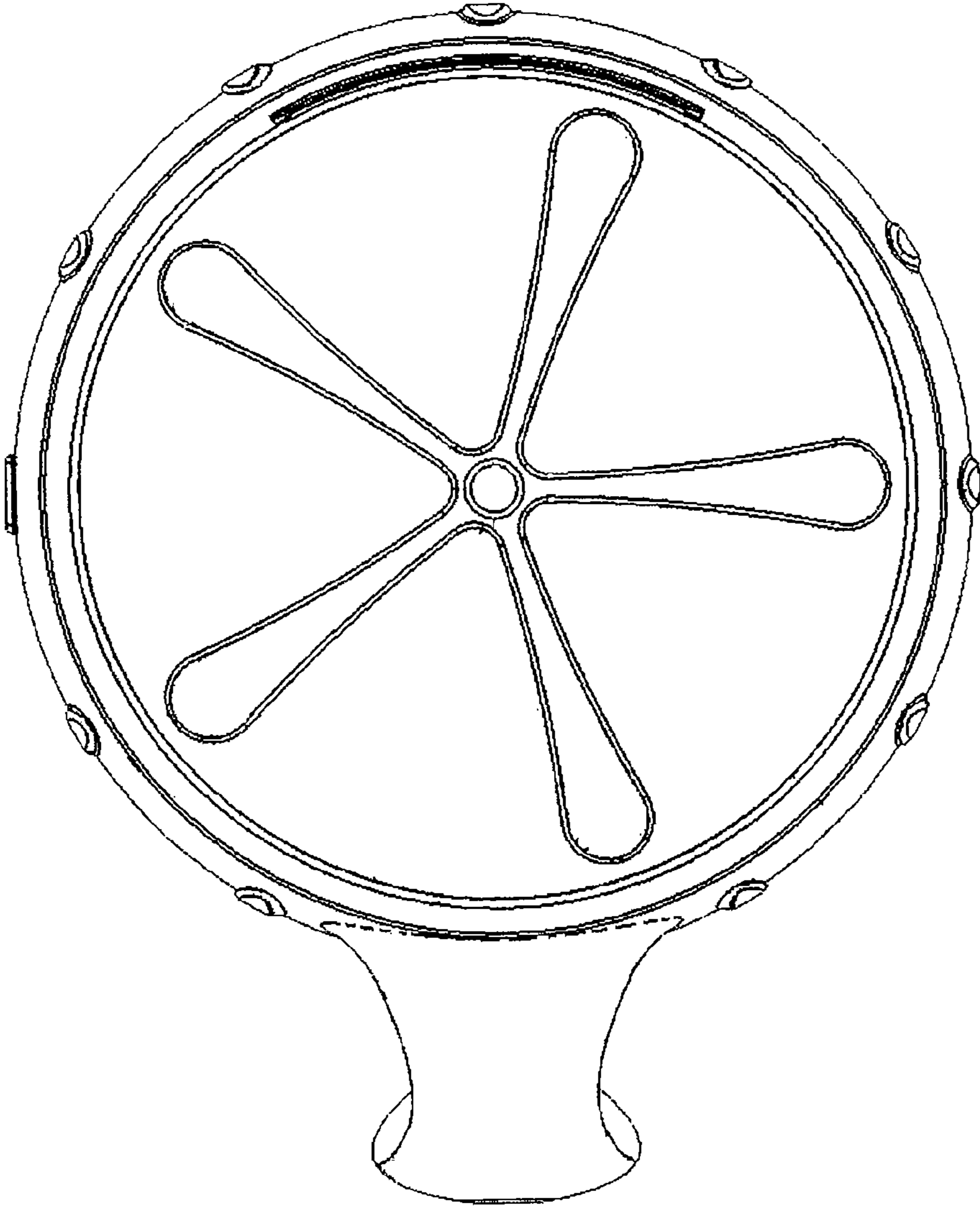


Fig. 6

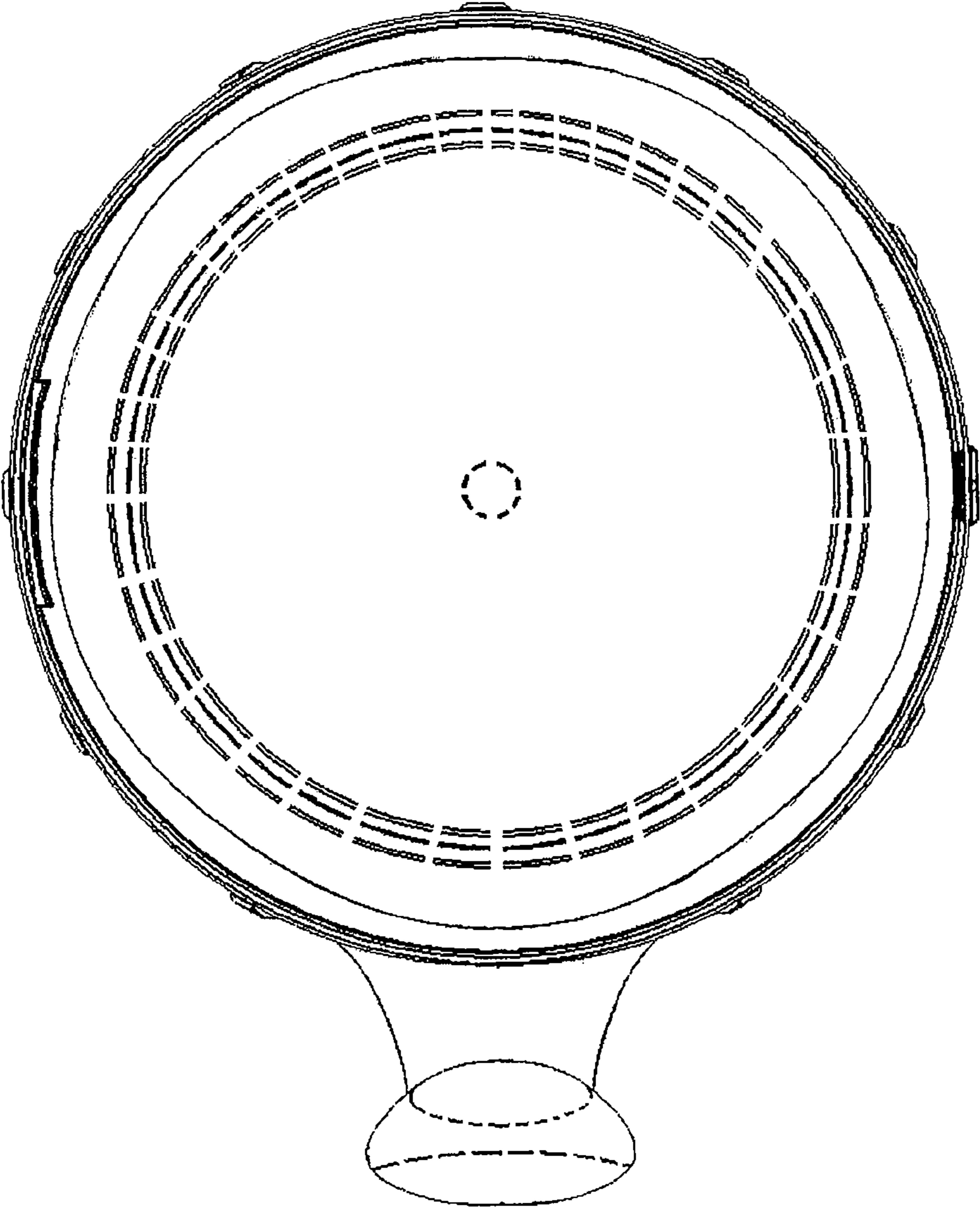


Fig. 7