



US00D686043S

(12) **United States Design Patent**
Del Solar et al.

(10) **Patent No.:** **US D686,043 S**
(45) **Date of Patent:** **** Jul. 16, 2013**

(54) **CONTAINER**

D216,096 S 11/1969 Lawton
D220,560 S 4/1971 Johnson
3,741,421 A 6/1973 Wittwer

(71) Applicant: **Playtex Products, LLC**, Shelton, CT
(US)

(Continued)

(72) Inventors: **Maria Alexandra Del Solar**, Stamford,
CT (US); **Diana Sierra**, North Bergen,
NJ (US)

FOREIGN PATENT DOCUMENTS

EP EM000062906-0001 8/2003
JP D1317658 11/2007

(Continued)

(73) Assignee: **Playtex Products, LLC**, Shelton, CT
(US)

OTHER PUBLICATIONS

(**) Term: **14 Years**

<http://abbottnutrition.com/Products/similac-simply-smart>, Similac
Simply Smart, Abbot Nutrition for Healthcare Professionals 2011 (2
pages).

(Continued)

(21) Appl. No.: **29/439,403**

(22) Filed: **Dec. 11, 2012**

Primary Examiner — Terry Wallace

Related U.S. Application Data

(74) *Attorney, Agent, or Firm* — Ohlandt, Greeley, Ruggiero
and Perle, L.L.P.

(62) Division of application No. 29/389,731, filed on Apr.
15, 2011, now Pat. No. Des. 675,067.

(51) **LOC (9) Cl.** **07-07**

(57) **CLAIM**

The ornamental design for the container, as shown and
described.

(52) **U.S. Cl.**

USPC **D7/629**

DESCRIPTION

(58) **Field of Classification Search**

USPC D7/628–630, 510, 511, 536, 538–542;
D9/516, 530, 539; 220/203.18, 303, 714,
220/731, 736, 212, 229, 375, 837, 780–806,
220/675, 574–575

FIG. 1 is a perspective view of the container according to an
exemplary embodiment of the present disclosure;
FIG. 2 is a front view of the container of FIG. 1;
FIG. 3 is a back view of the container of FIG. 1;
FIG. 4 is a left-side view of the container of FIG. 1;
FIG. 5 is a right-side view of the container of FIG. 1;
FIG. 6 is a top view of the container of FIG. 1; and,
FIG. 7 is a bottom view of the container of FIG. 1.

See application file for complete search history.

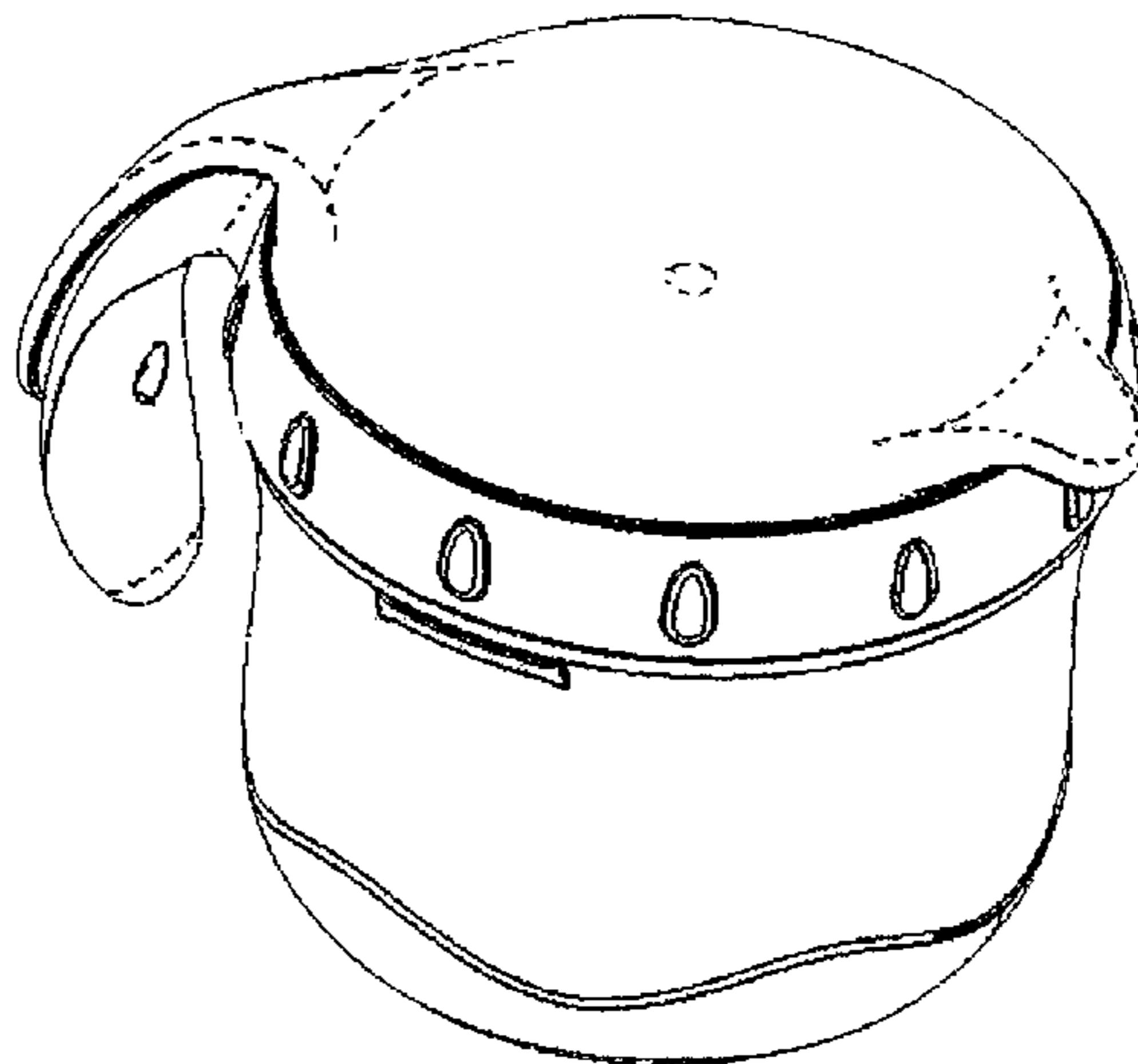
The broken lines in the drawings illustrating environmental
structure or boundaries that form no part of the claimed
design.

(56) **References Cited**

U.S. PATENT DOCUMENTS

2,434,611 A 1/1948 Hamiel
D193,638 S 9/1962 Goldstein et al.
3,139,064 A 6/1964 Harle
3,232,466 A 2/1966 Fuad

1 Claim, 7 Drawing Sheets



US D686,043 S

Page 2

U.S. PATENT DOCUMENTS

3,757,979	A	9/1973	Berghahn	
4,127,211	A *	11/1978	Zerbey	220/212
4,289,248	A	9/1981	Lynn	
D280,289	S	8/1985	Aldrich et al.	
4,664,273	A	5/1987	Simon	
4,723,673	A	2/1988	Tartaglia et al.	
4,884,717	A *	12/1989	Bussard et al.	220/229
D307,238	S	4/1990	May	
4,984,707	A	1/1991	Fierthaler	
D322,224	S	12/1991	Miner	
D330,860	S	11/1992	Gatrost	
5,186,344	A	2/1993	Cook	
5,292,017	A	3/1994	Reifers	
5,518,134	A *	5/1996	Liu	220/816
5,617,968	A	4/1997	Luburic	
D381,042	S	7/1997	Roche	
5,938,054	A	8/1999	Loader	
5,971,154	A	10/1999	Toren	
5,988,412	A	11/1999	Minnette et al.	
D428,813	S	8/2000	Haley	
D460,322	S *	7/2002	Orr et al.	D7/510
6,431,380	B1	8/2002	Branson	
D465,971	S	11/2002	Renz	
D471,110	S	3/2003	Booth et al.	
D471,458	S	3/2003	Booth et al.	
D483,611	S	12/2003	Ghanem	
6,656,514	B1 *	12/2003	Tubbs	426/115
6,758,358	B1	7/2004	Bloom	
D498,389	S *	11/2004	Tollman	D7/538
6,883,672	B2	4/2005	Dunn et al.	
D514,942	S	2/2006	Weber	
7,021,486	B1	4/2006	Hurlbut	
7,040,497	B2	5/2006	Weiler et al.	
D559,112	S	1/2008	Hyde et al.	
7,331,479	B2	2/2008	Oh	
D579,722	S *	11/2008	Sakulsacha et al.	D7/510
D582,723	S	12/2008	Renz et al.	

D583,240	S	12/2008	Bourne	
D583,671	S	12/2008	Bourne	
D606,873	S	12/2009	Fischer	
D612,250	S	3/2010	Shah	
D616,249	S *	5/2010	Galinski	D7/548
7,766,166	B2	8/2010	Cognome Dotta	
2004/0112896	A1 *	6/2004	Lewis	220/212
2005/0252923	A1 *	11/2005	Woolf	220/731
2005/0263523	A1 *	12/2005	Moss	220/229
2008/0116202	A1	5/2008	Auer et al.	
2009/0242562	A1 *	10/2009	Valderrama et al.	220/288
2010/0294764	A1 *	11/2010	Kemper et al.	220/203.18

FOREIGN PATENT DOCUMENTS

JP	D1316442	12/2007
TW	325357	1/1998
TW	D100383	1/2008

OTHER PUBLICATIONS

<http://similac.com/baby-formula/baby-bottle>, New Similac Simply Smart baby bottle, 2011 (3 pages).
 Search Report dated Jun. 1, 1998 from corresponding Taiwanese Patent Application No. 098303502 (3 pages).
 International Search Report and Written Opinion dated Jul. 20, 2009 from corresponding International Patent Application No. PCT/US2009/001994 (8 pages).
 Munchkin Snack Catcher—first use in Commerce Sep. 30, 2006 (1 page).
 International Search Report and Written Opinion dated Jul. 5, 2012 from corresponding International Patent Application No. PCT/US2012/033568 (9 pages).
 International Preliminary Report on Patentability dated Apr. 26, 2013 for International Patent Application No. PCT/US2012/033568 consisting of 8 pages.

* cited by examiner

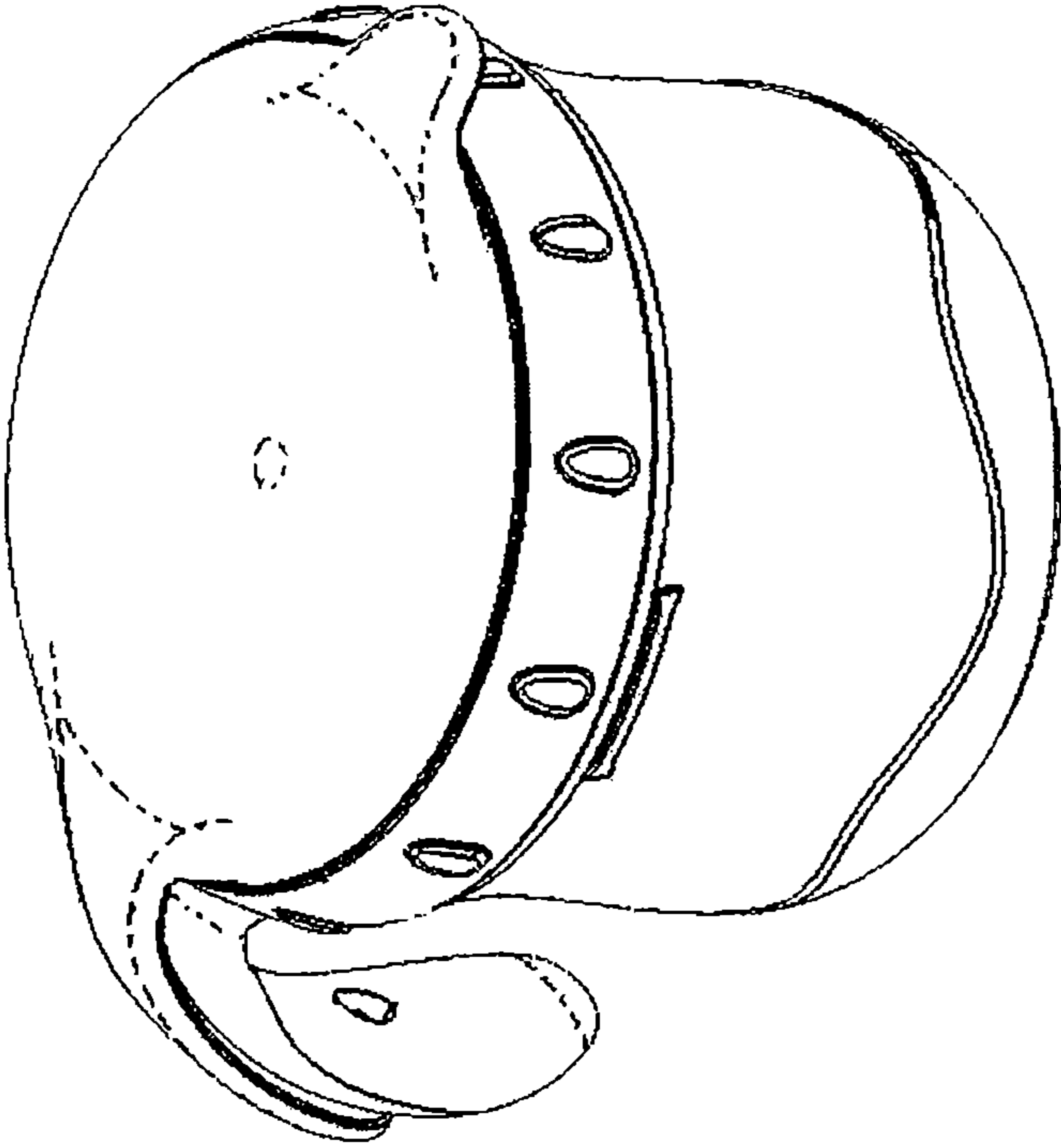


Fig. 1

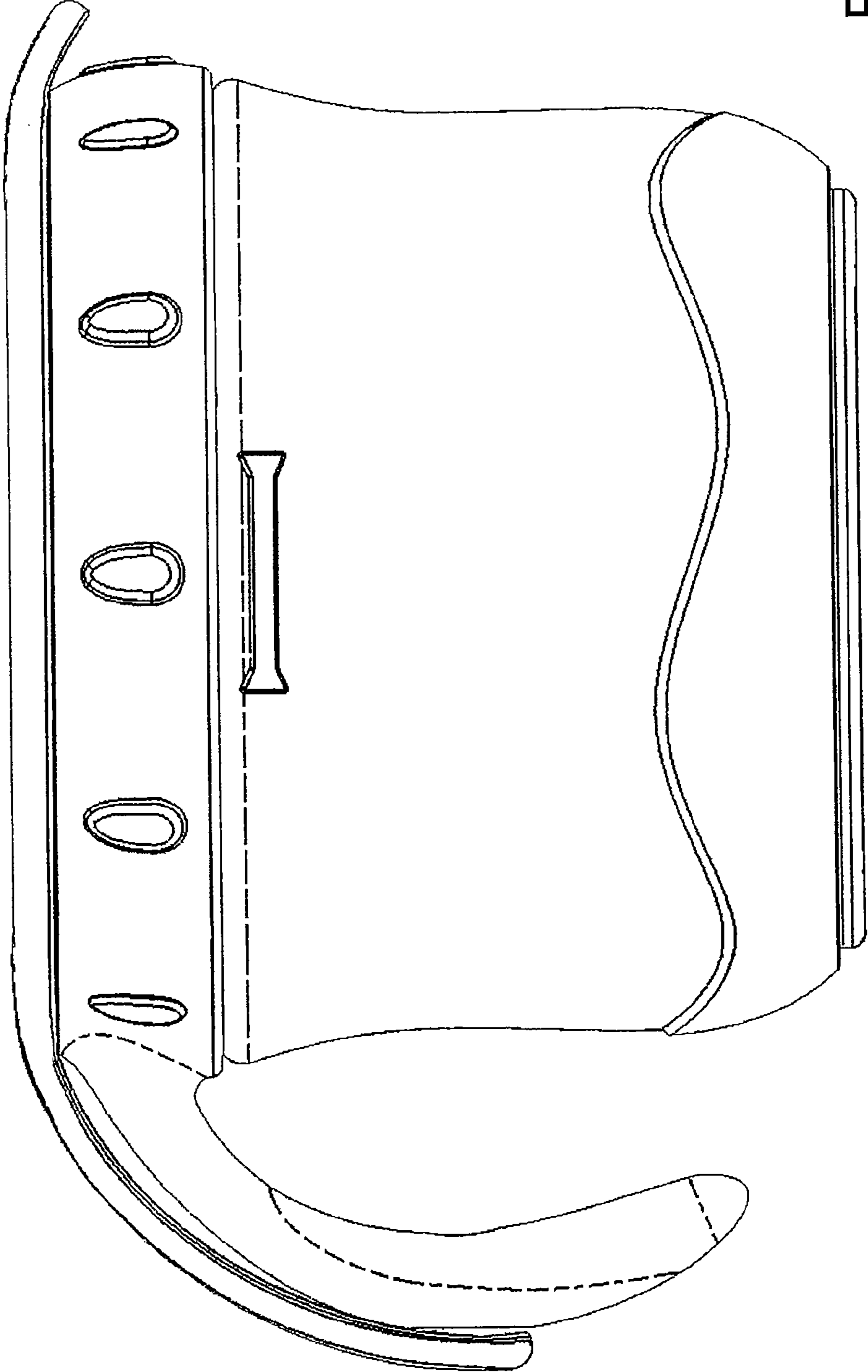


Fig. 2

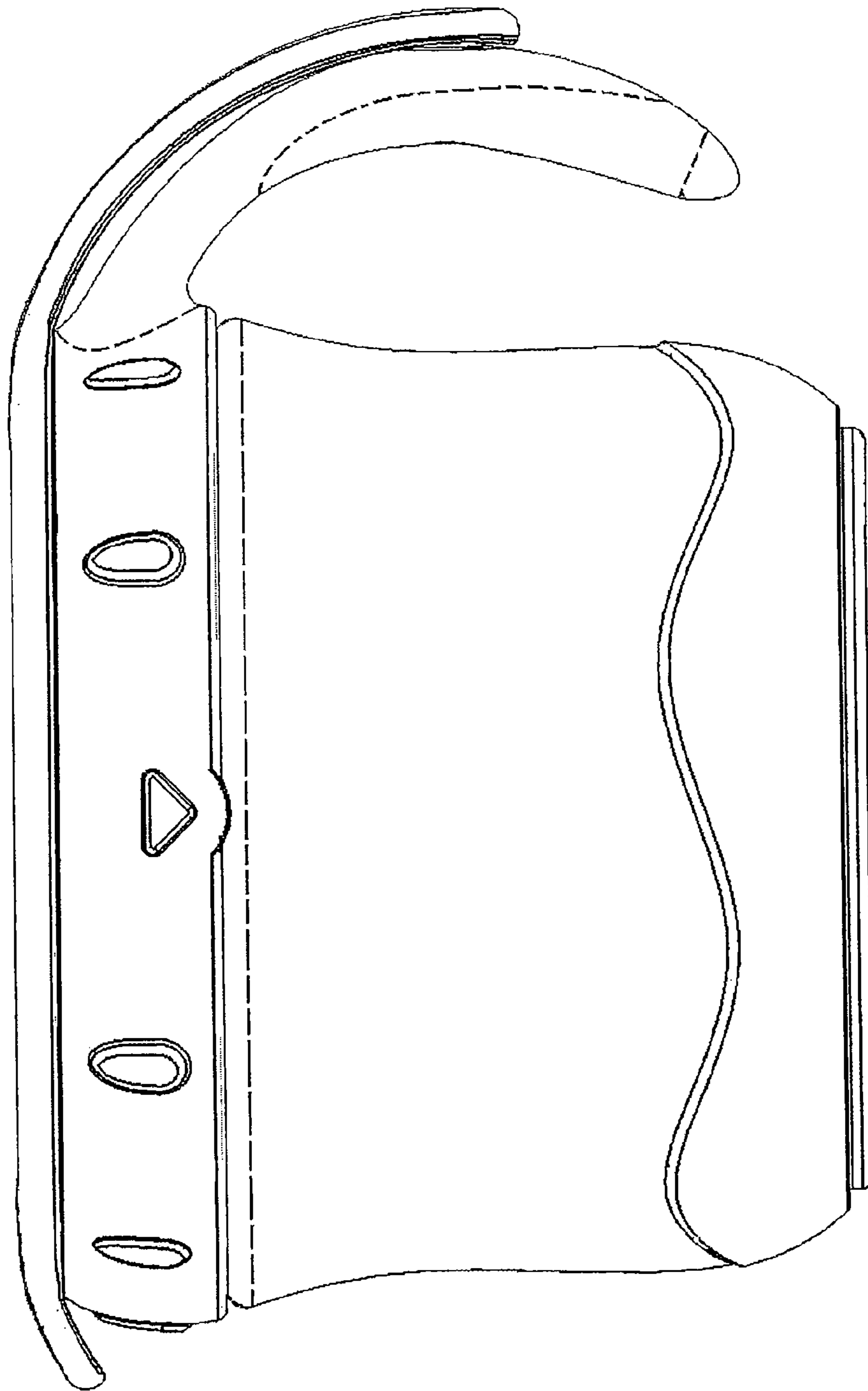


Fig. 3

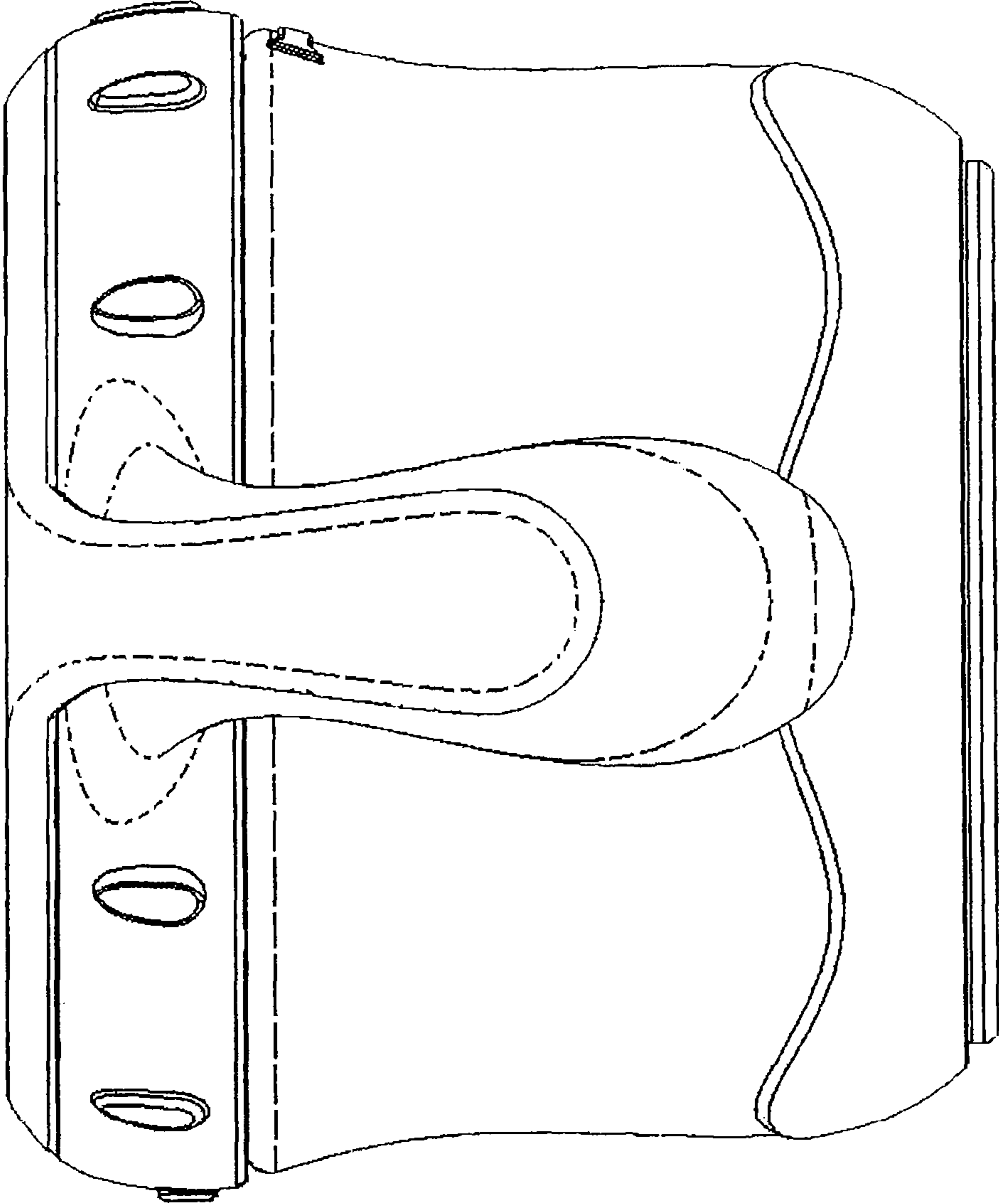


Fig. 4

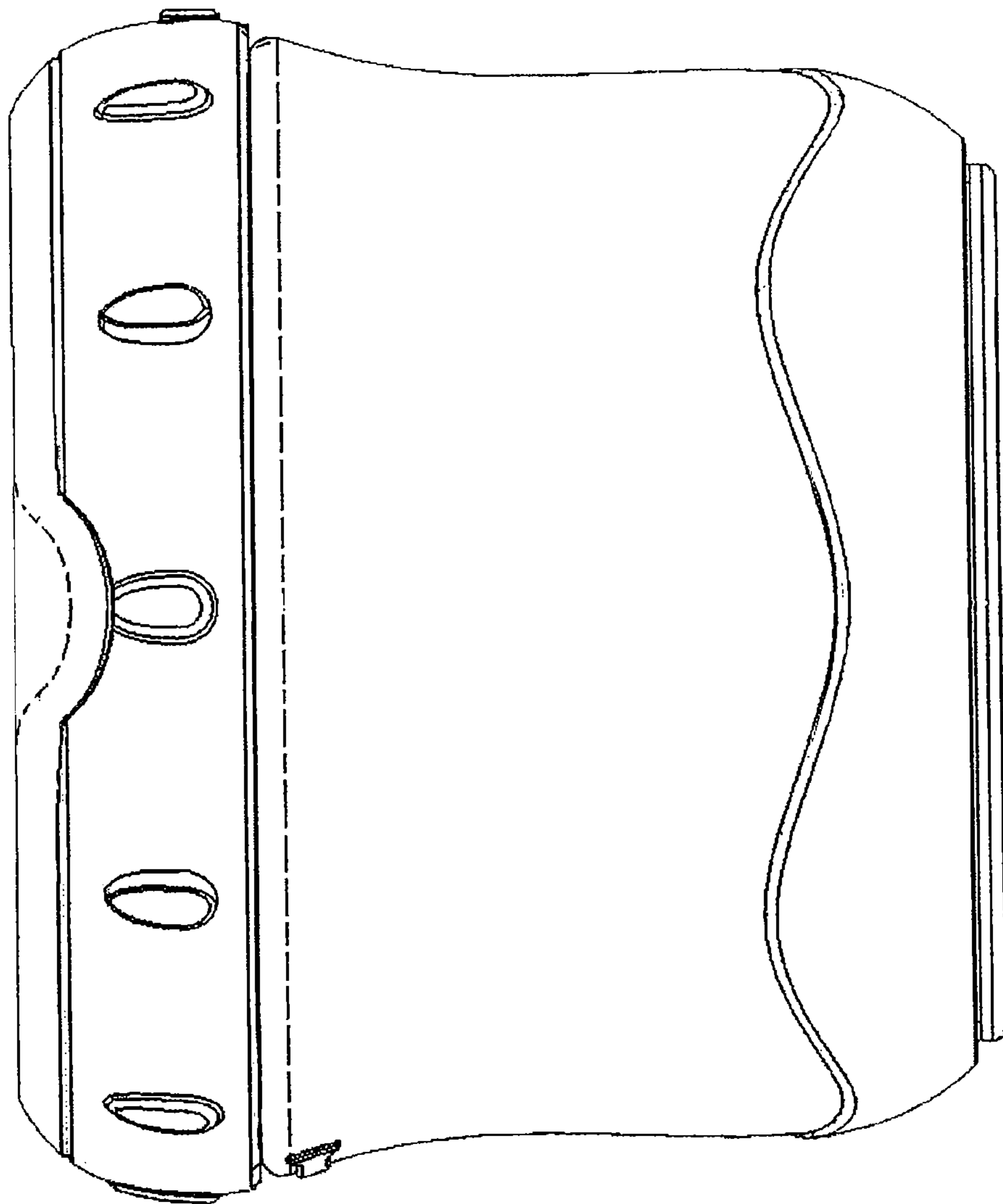


Fig. 5

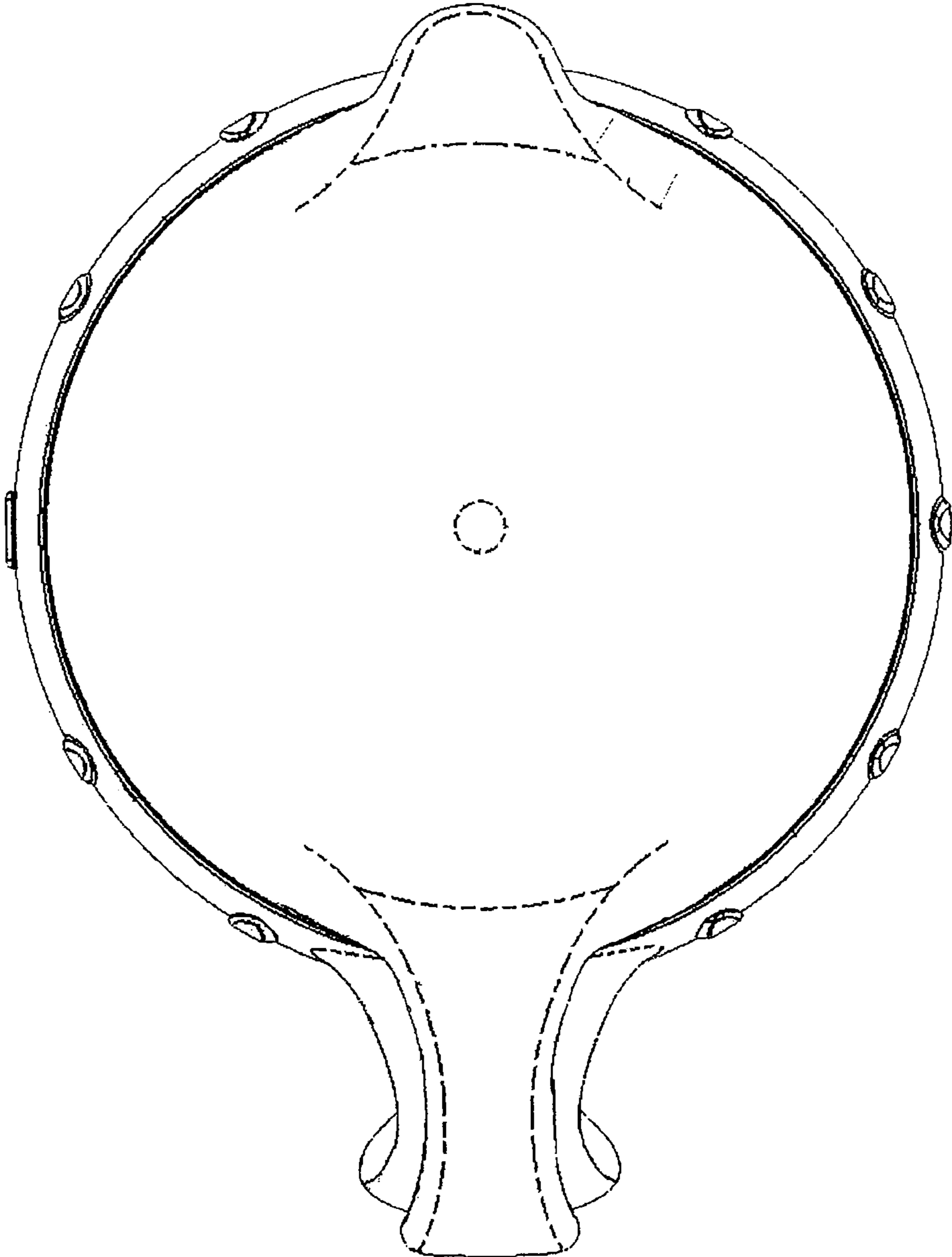


Fig. 6

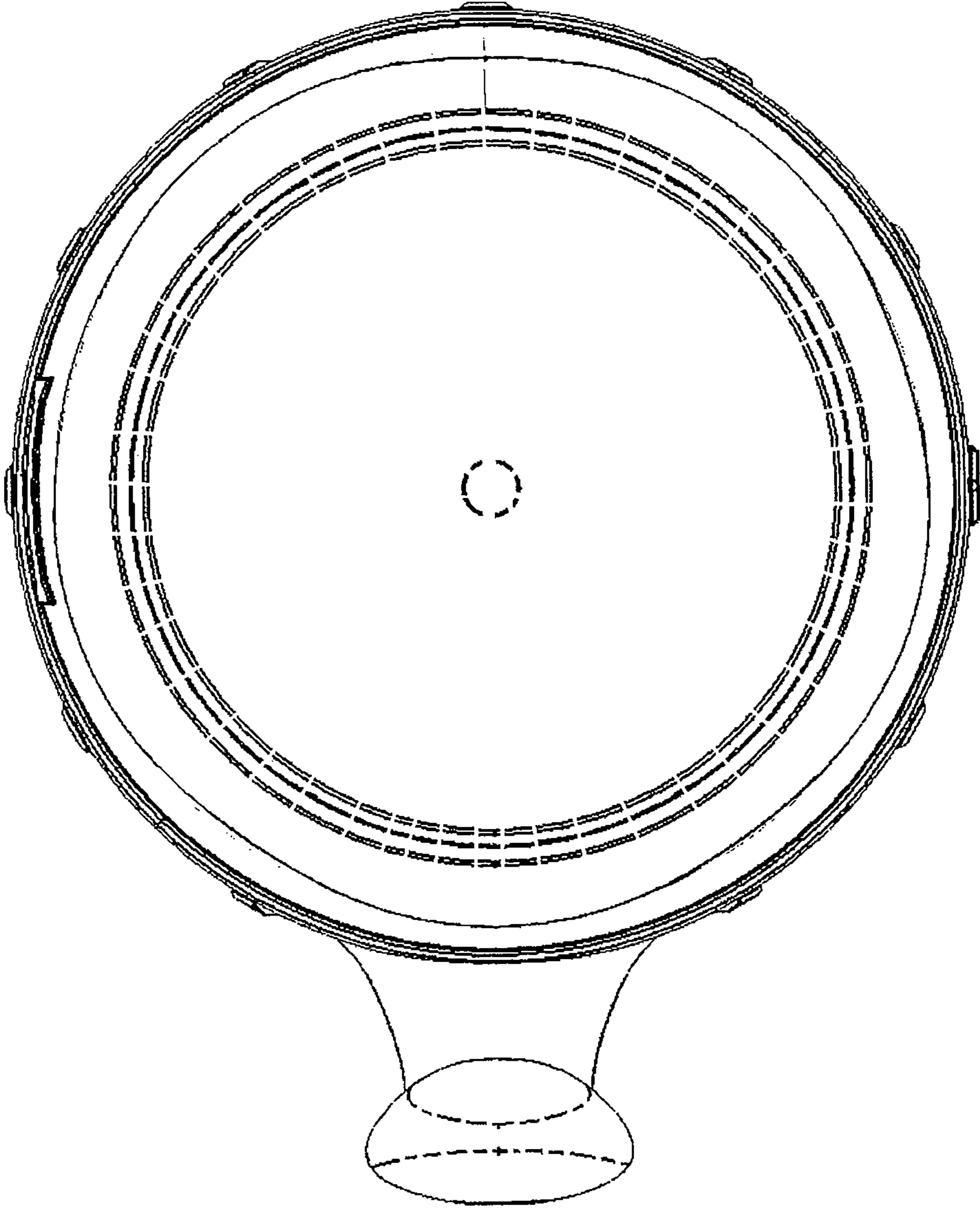


Fig. 7