



US00D686041S

(12) **United States Design Patent**
Sanders

(10) **Patent No.:** **US D686,041 S**
(45) **Date of Patent:** **** Jul. 16, 2013**

- (54) **CONTAINER SLEEVE**
- (71) Applicant: **Scott Sanders**, Moreland Hills, OH (US)
- (72) Inventor: **Scott Sanders**, Moreland Hills, OH (US)
- (**) Term: **14 Years**
- (21) Appl. No.: **29/440,895**
- (22) Filed: **Dec. 28, 2012**

D524,118	S	7/2006	Gregorczyk	
7,080,753	B1	7/2006	Miller	
7,815,047	B2	10/2010	Trimarco	
7,858,015	B2 *	12/2010	Urquhart et al.	264/301
D634,588	S *	3/2011	Cook et al.	D7/619.1
D634,589	S *	3/2011	Cook et al.	D7/619.1
D648,185	S *	11/2011	Sanders	D7/624.2
D657,202	S	4/2012	Sanders	
2006/0000882	A1 *	1/2006	Darzinskas	229/403
2009/0272753	A1	11/2009	Rebelak, Sr. et al.	
2011/0233223	A1	9/2011	Cook et al.	
2011/0233224	A1	9/2011	Cook et al.	

Related U.S. Application Data

- (62) Division of application No. 29/399,582, filed on Aug. 16, 2011.
- (51) **LOC (9) Cl.** **07-06**
- (52) **U.S. Cl.**
USPC **D7/624.2**
- (58) **Field of Classification Search**
USPC D7/601, 602, 619.1, 624.2, 624.1,
D7/388; 229/89-91, 402, 403; D9/44, 455,
D9/501, 517, 433; 220/902, 903, 737-739,
220/592.17, 592.16; 40/306
See application file for complete search history.

OTHER PUBLICATIONS
Tea & Coffee Trade Online; vol. 174, No. 3, Mar./Apr. 2001 "Cool Cuff Insulated Paper Hot Cup Sleeves".

* cited by examiner

Primary Examiner — Terry Wallace
(74) *Attorney, Agent, or Firm* — Fay Sharpe LLP

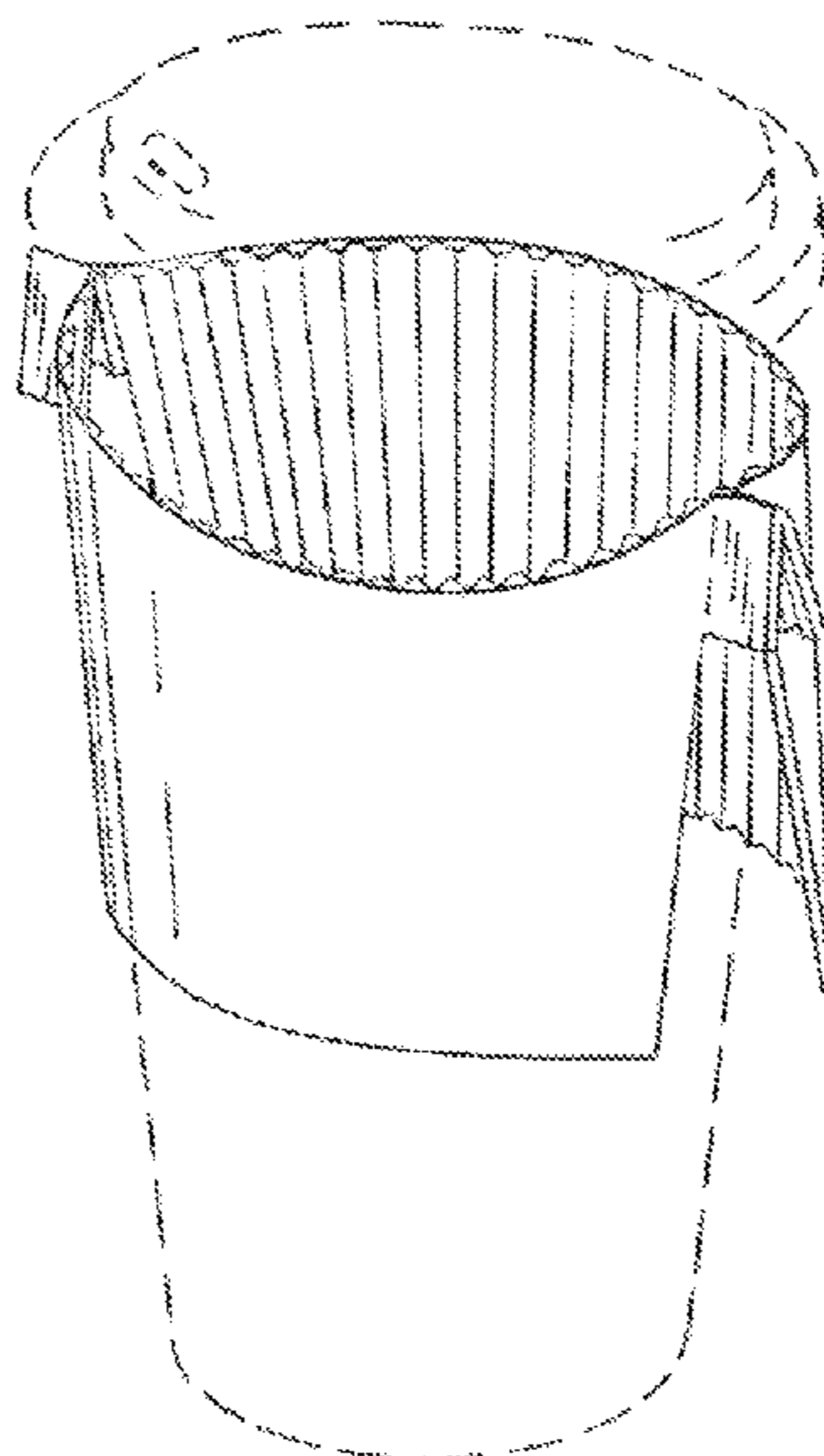
(57) **CLAIM**
The ornamental design for a container sleeve, as shown and described.

DESCRIPTION

FIG. 1 is a perspective view of the container sleeve showing our new design, the cup is shown in broken lines for illustrative purposes only and forms no part of the claimed design. FIG. 2 is a top perspective view thereof. FIG. 3 is a top plan view thereof. FIG. 4 is a left side view thereof. FIG. 5 is a right side view thereof. FIG. 6 is a front view thereof. FIG. 7 is a rear view thereof; and, FIG. 8 is a bottom plan view thereof. In the drawings, the broken lines depict environmental subject matter only and form no part of the claimed design.

1 Claim, 3 Drawing Sheets

- (56) **References Cited**
- U.S. PATENT DOCUMENTS**
- 5,205,473 A * 4/1993 Coffin, Sr. 229/403
- 5,222,656 A 6/1993 Carlson
- D376,957 S 12/1996 Sharp
- 5,868,310 A * 2/1999 Leszczynski 229/402
- 6,032,826 A 3/2000 Libit et al.
- 6,116,503 A * 9/2000 Varano 229/403
- 6,273,333 B1 * 8/2001 Ward 229/402
- 6,343,735 B1 2/2002 Cai
- 6,364,151 B1 4/2002 Gale
- 6,557,751 B2 5/2003 Puerini
- D485,133 S 1/2004 Breeze-Stringfellow
- 6,814,253 B2 11/2004 Wong
- 7,000,801 B2 2/2006 Rodriguez
- D523,294 S 6/2006 Gregorczyk



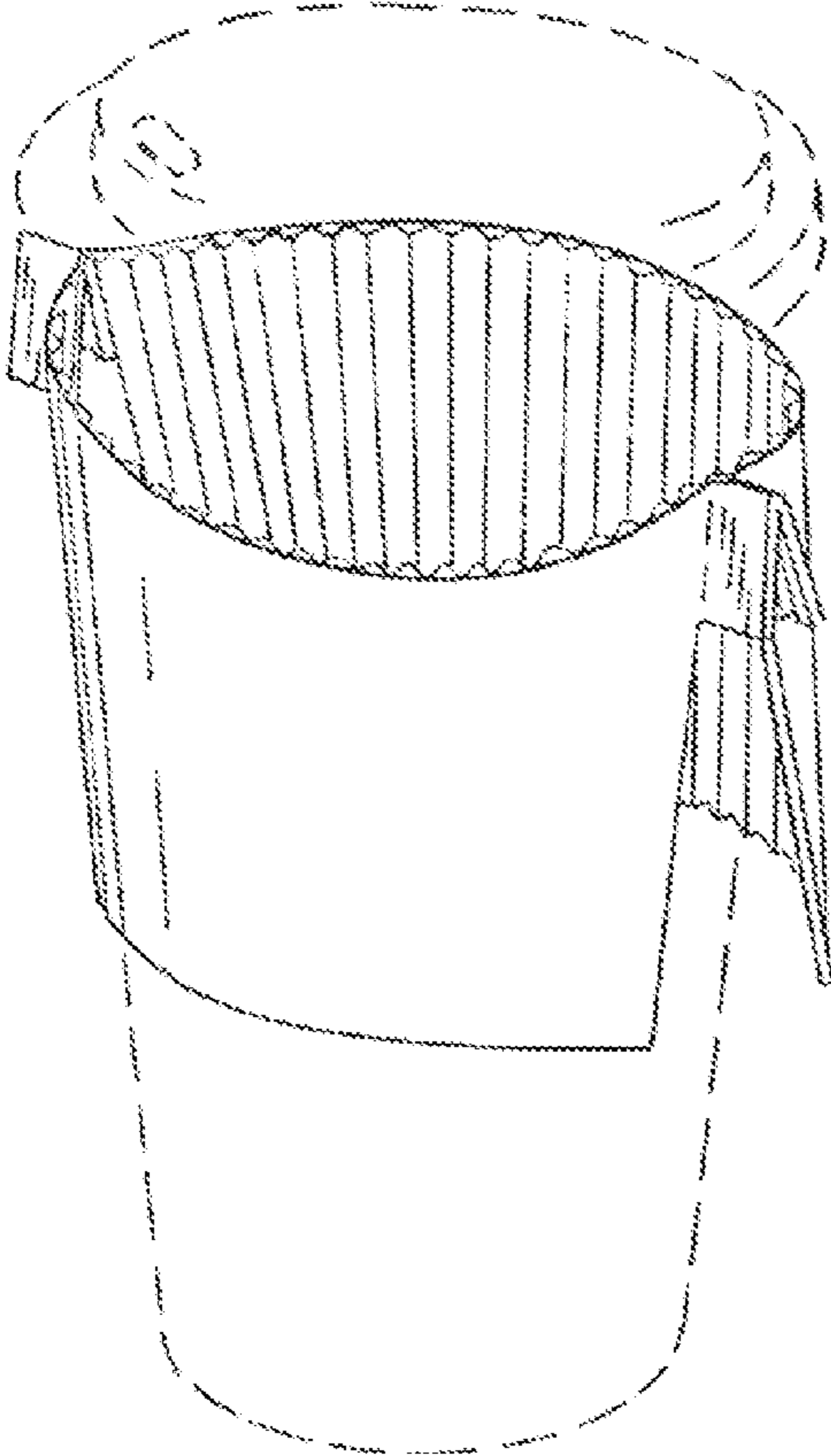


Fig. 1

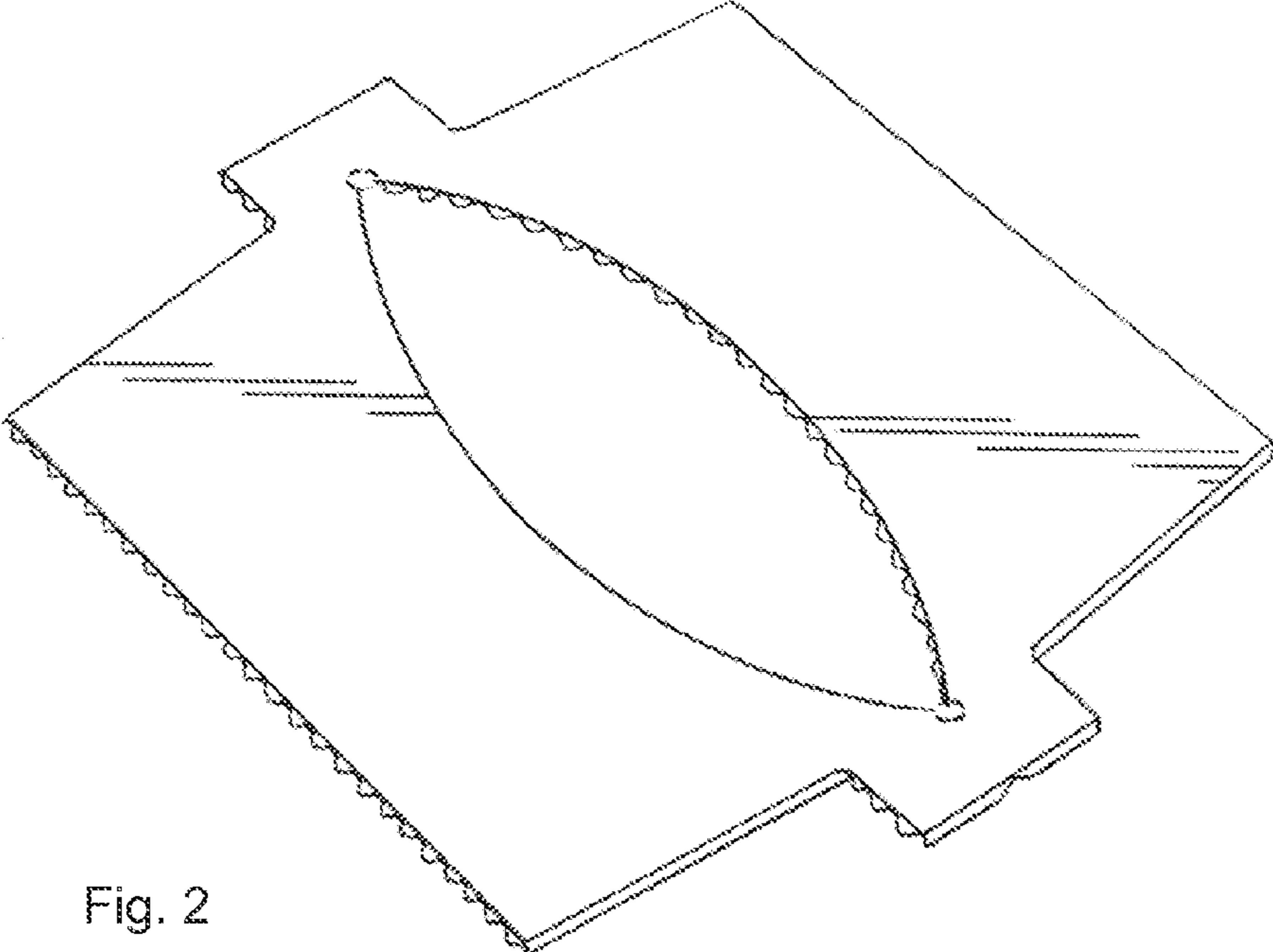


Fig. 2

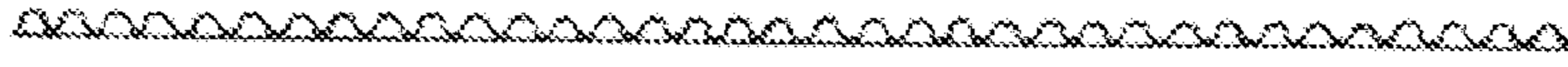


Fig. 6



Fig. 4

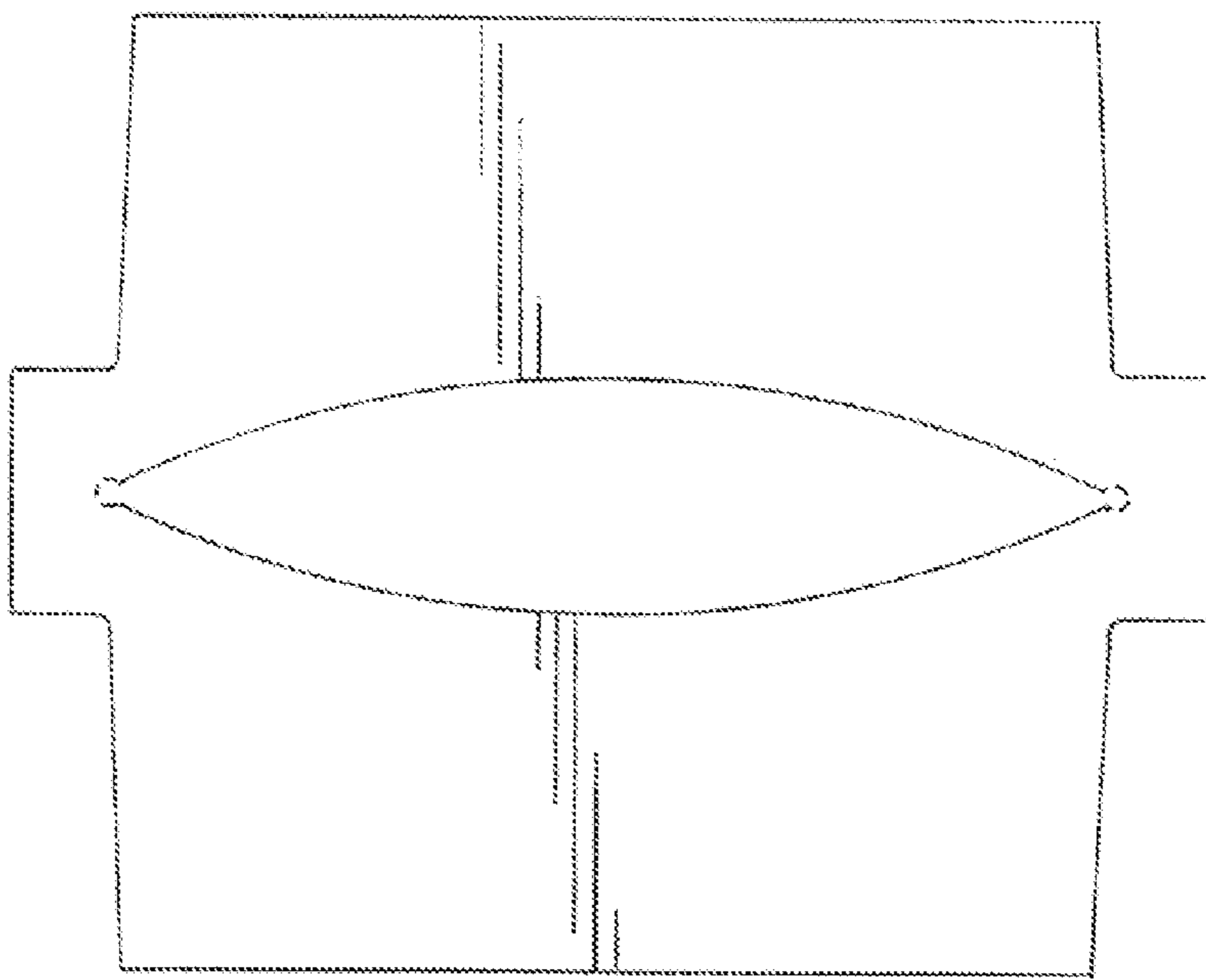


Fig. 3



Fig. 5



Fig. 7

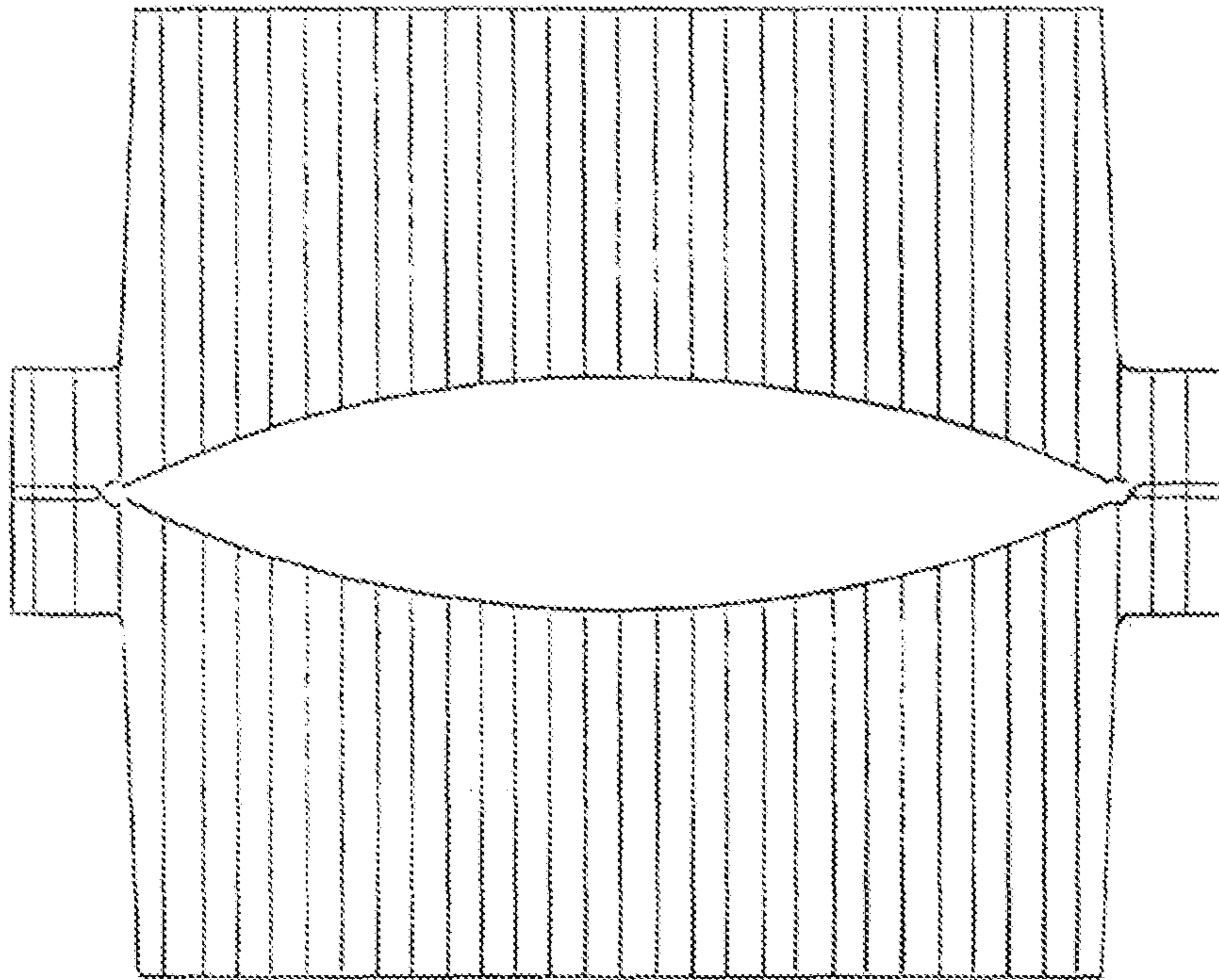


Fig. 8