



US00D686040S

(12) **United States Design Patent**
Lane

(10) **Patent No.:** **US D686,040 S**
(45) **Date of Patent:** **** Jul. 16, 2013**

(54) **COMBINED DRINK BOTTLE AND LID WITH
BUTTON RELEASE COVER**

(75) Inventor: **Marvin Lane**, Round Lake Beach, IL
(US)

(73) Assignee: **Thermos L.L.C.**, Rolling Meadows, IL
(US)

(**) Term: **14 Years**

(21) Appl. No.: **29/403,945**

(22) Filed: **Oct. 13, 2011**

(51) **LOC (9) Cl.** **07-01**

(52) **U.S. Cl.**
USPC **D7/608; D7/510**

(58) **Field of Classification Search**

USPC D7/603–608, 509–511; D9/531,
D9/537, 549, 552, 555, 559; 62/457.1–457.9,
62/371, 372; 215/12.1, 12.2, 13.1, 381–385;
220/592.16, 592.17, 592.2, 592.21, 592.26,
220/592.22, 592.23, 592.27, 592.28, 495.03,
220/660, 669, 675

See application file for complete search history.

(56) **References Cited**

U.S. PATENT DOCUMENTS

D295,355 S *	4/1988	Leung	D7/608
6,119,888 A *	9/2000	Goto et al.	220/592.27
D455,611 S *	4/2002	Kitamura et al.	D7/608
D485,132 S *	1/2004	Ohno et al.	D7/608
D529,339 S *	10/2006	Carreno et al.	D7/511
D538,110 S *	3/2007	Kitamura et al.	D7/608
D553,914 S *	10/2007	Wahl	D7/608
D572,981 S *	7/2008	Carreno	D7/608
D587,533 S *	3/2009	Carreno	D7/608
D587,534 S *	3/2009	Carreno	D7/629
D596,460 S *	7/2009	Nezu	D7/510
D600,071 S	9/2009	Carreno		

OTHER PUBLICATIONS

Contigo—Autospout Addison Water Bottle—24 oz., printed Jun. 20, 2012.

Zojirushi product—Stainless Steel Vacuum Bottle Model No. ST-KA12, printed Jul. 26, 2011.

Co-pending U.S. Appl. No. 13/155,512, filed Jun. 8, 2011.

* cited by examiner

Primary Examiner — Terry Wallace

(74) *Attorney, Agent, or Firm* — Schiff Hardin LLP

(57) **CLAIM**

The ornamental design of a combined drink bottle and lid with button release cover, as shown and described.

DESCRIPTION

FIG. 1 is a perspective view taken from the upper rear right-hand side of the combined drink bottle and lid with button release cover of the present invention;

FIG. 2 is a front elevational view of the bottle and lid of FIG. 1, on which a logo is shown on the front of the drink bottle for illustrative purposes only, however the logo forms no part of the claimed design as indicated by the broken lines;

FIG. 3 is a side elevational view of the right side of the bottle and lid of FIG. 1 showing the logo in broken lines;

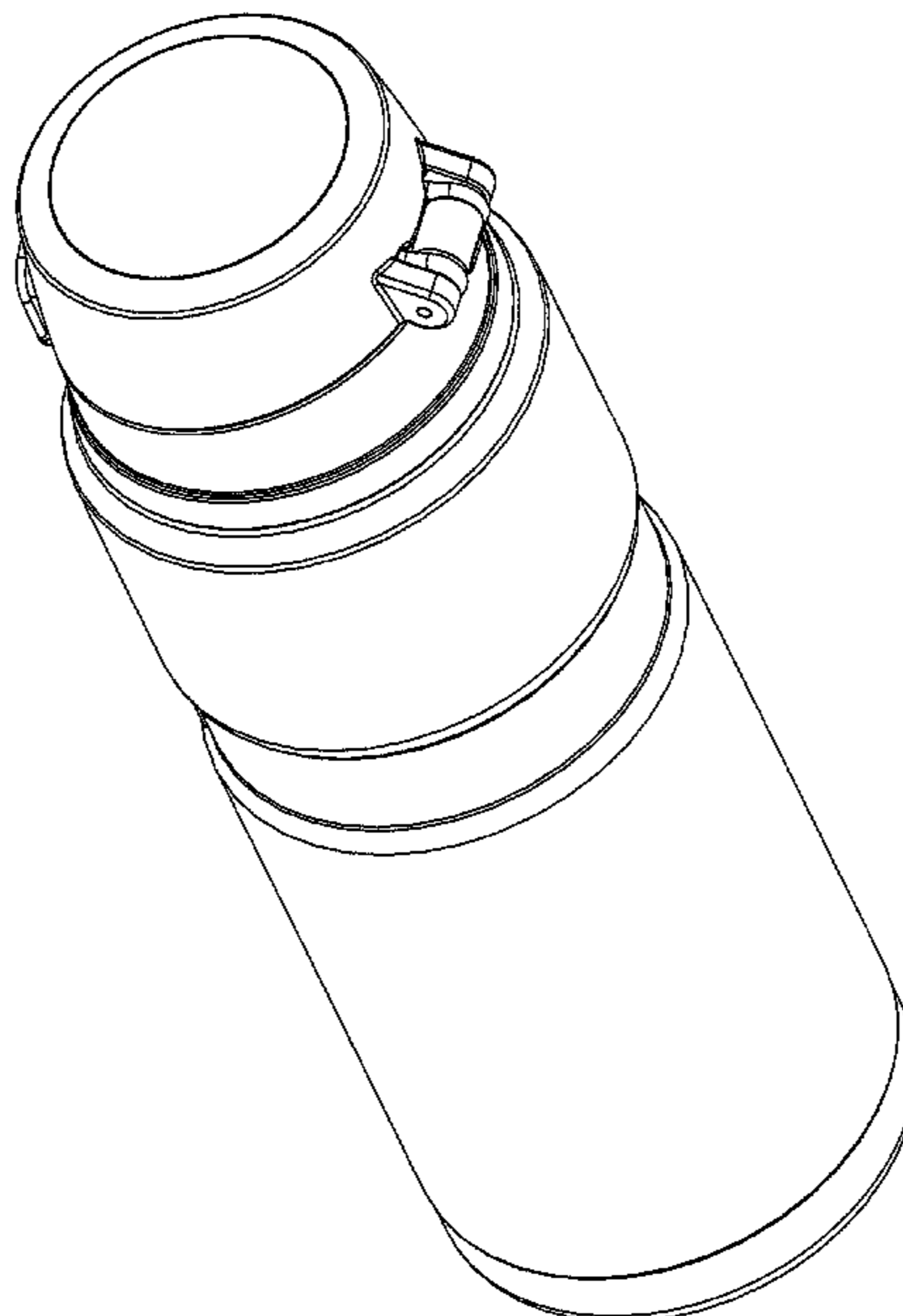
FIG. 4 is a rear elevational view of the bottle and lid of FIG. 1;

FIG. 5 is a side elevational view of the left side of the bottle and lid of FIG. 1, showing the logo in broken lines;

FIG. 6 is a top plan view of the bottle and lid of FIG. 1; and, FIG. 7 is a bottom plan view of the bottle and lid of FIG. 1.

The broken lines showing the logo are for illustrative purposes only and form no part of the claimed design.

1 Claim, 6 Drawing Sheets



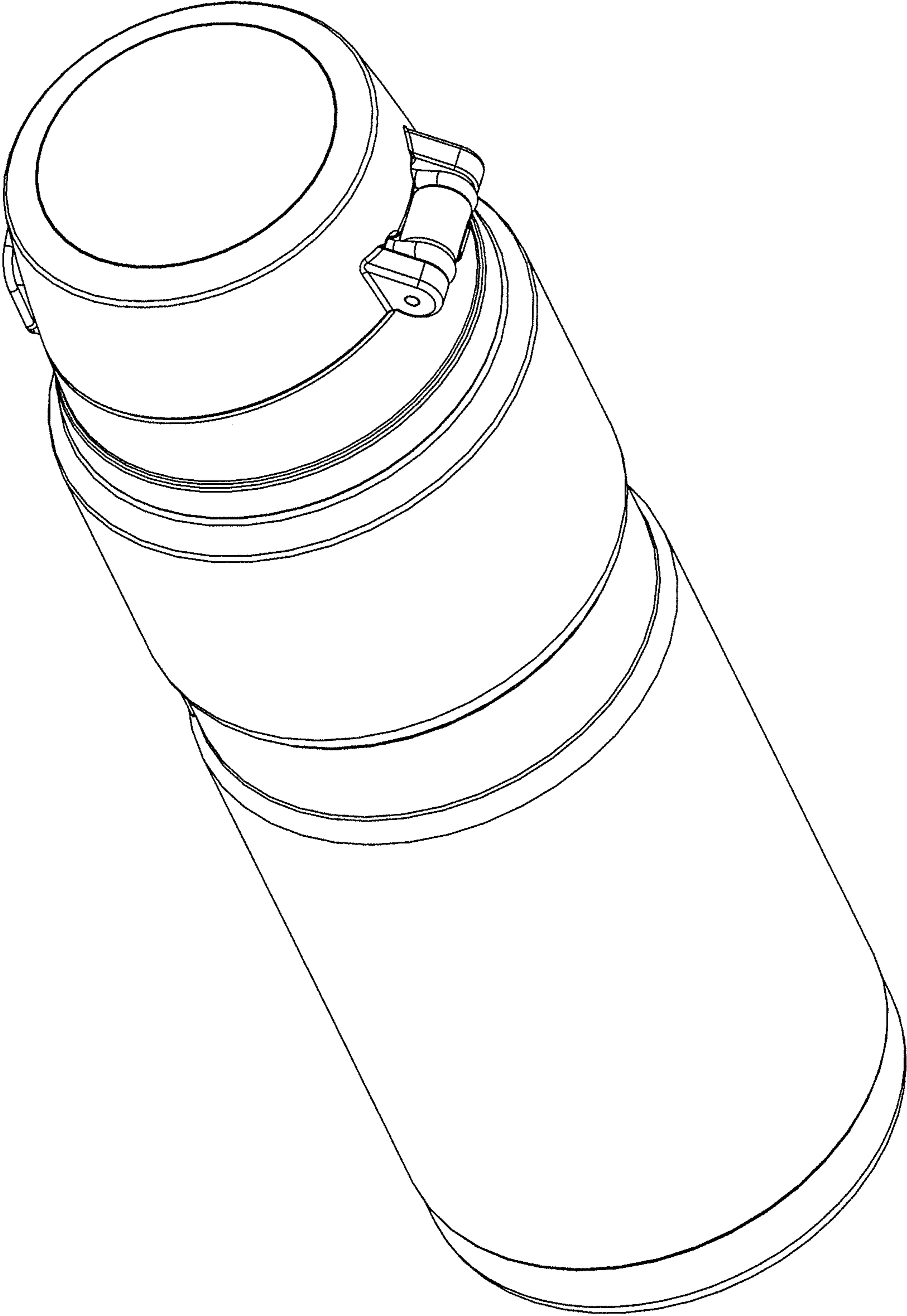


Fig. 1

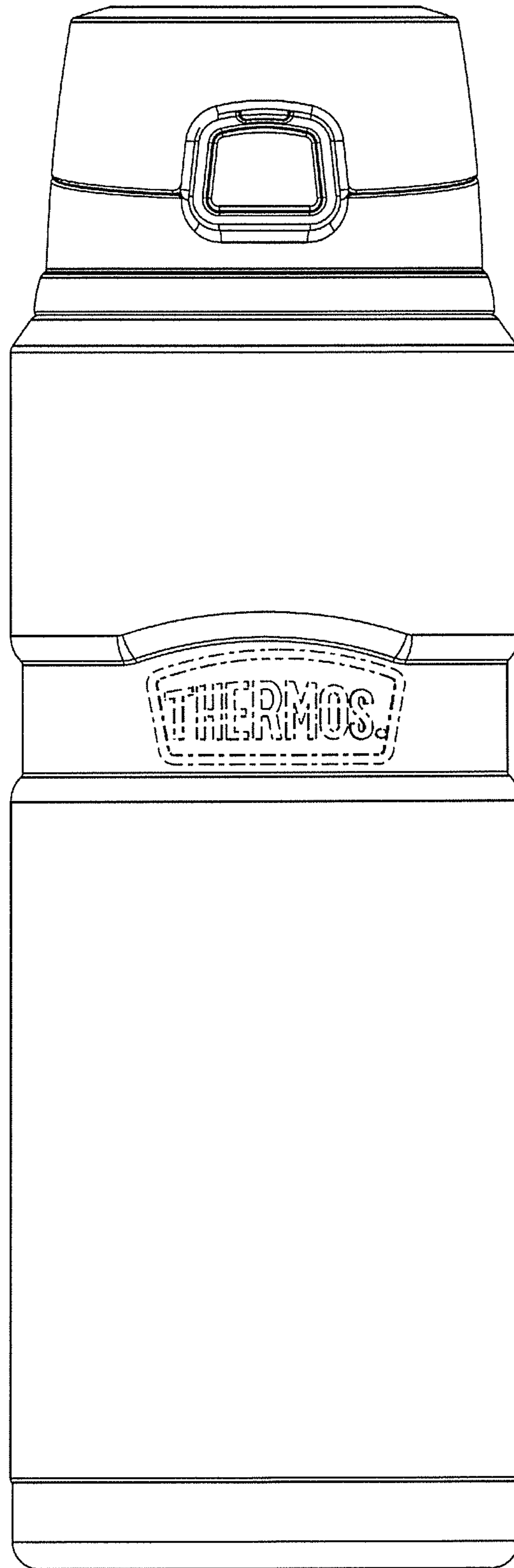


Fig. 2

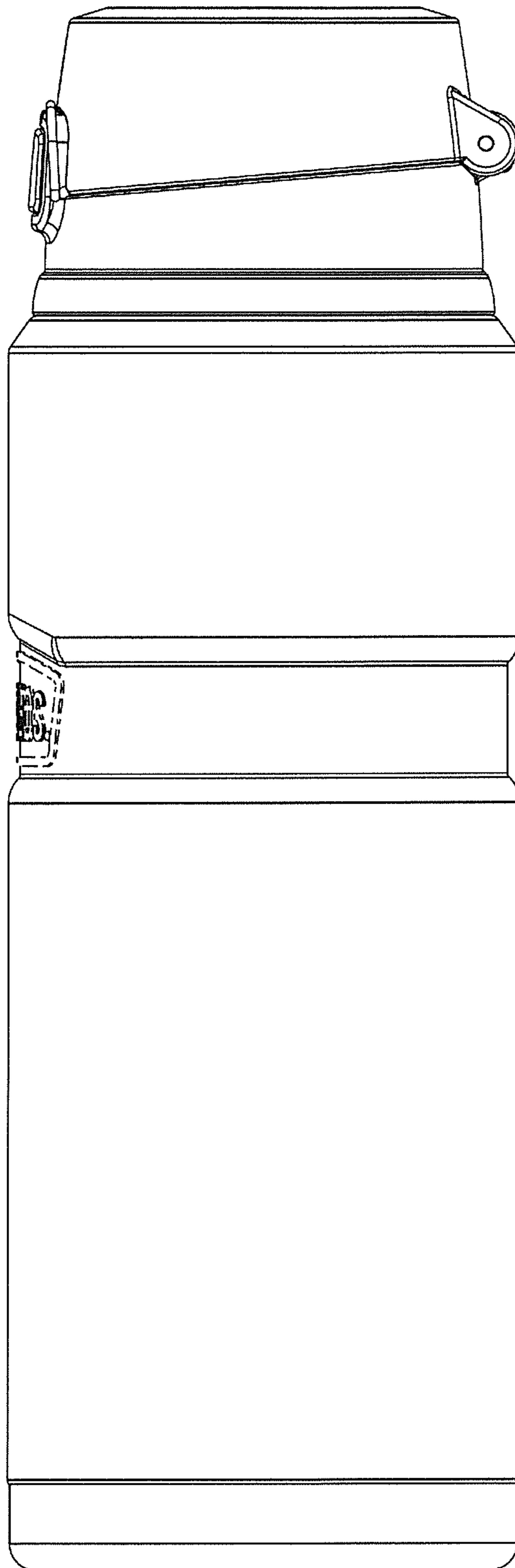


Fig. 3

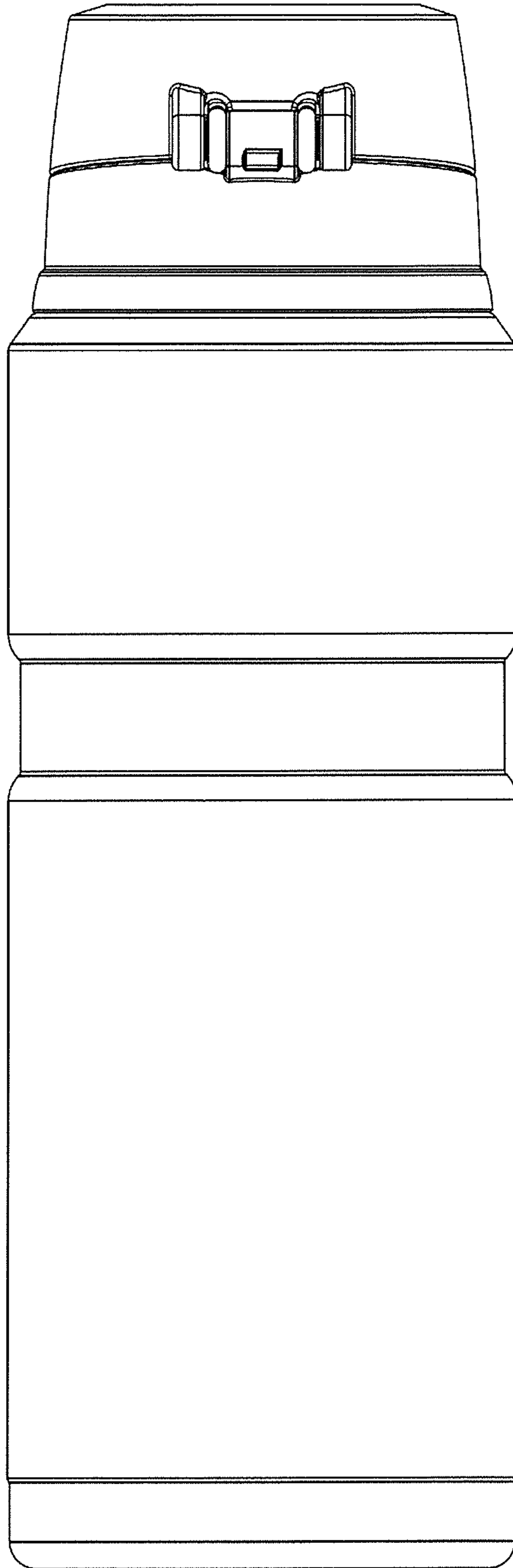


Fig. 4

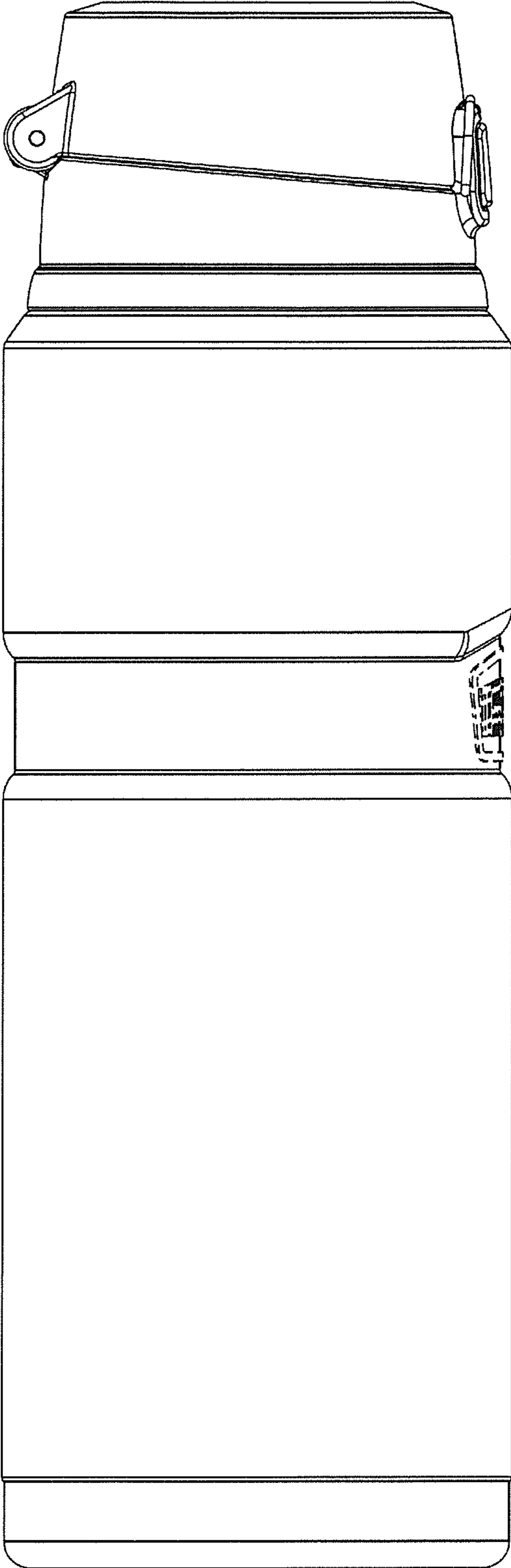


Fig. 5

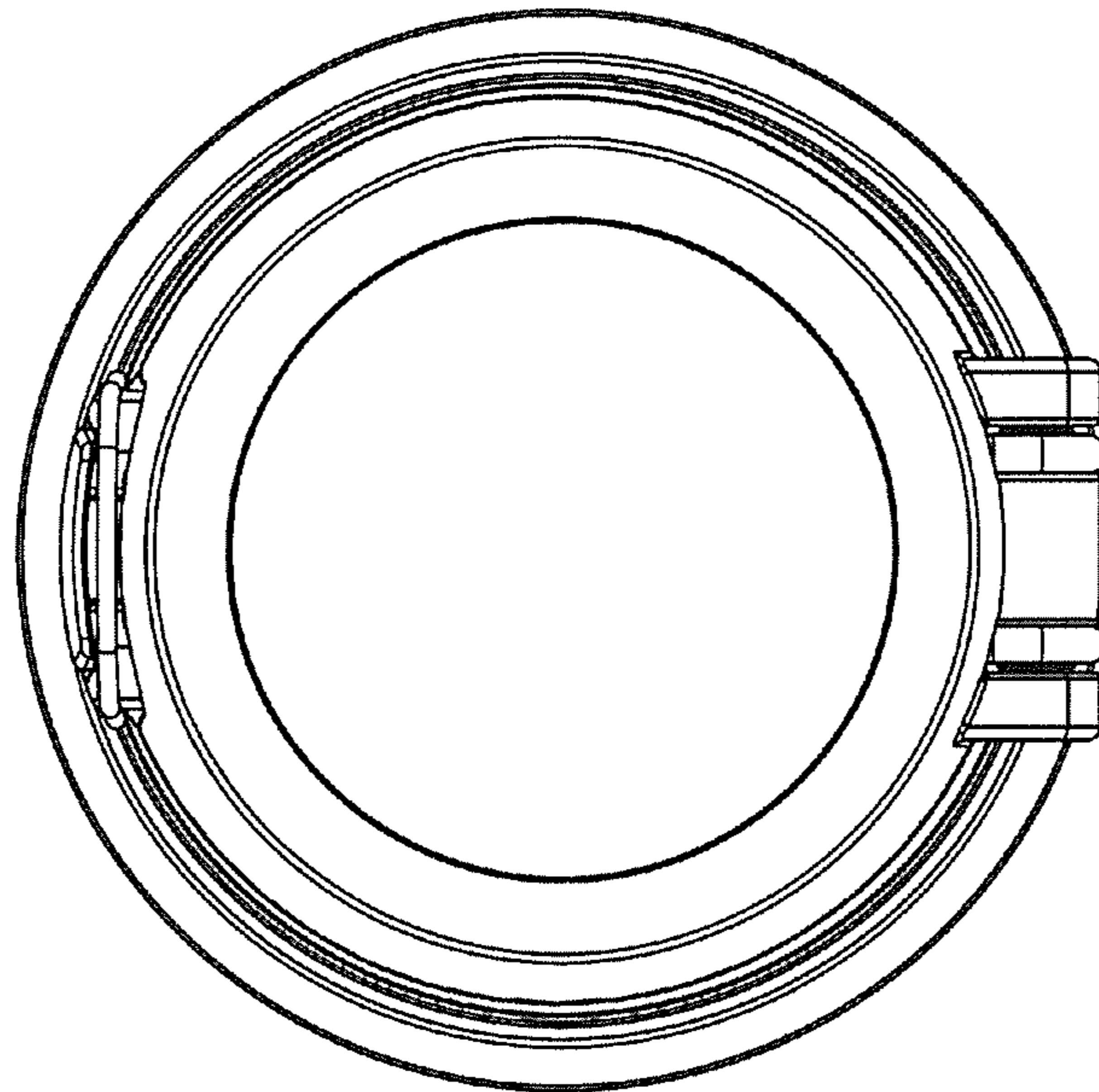


Fig. 6

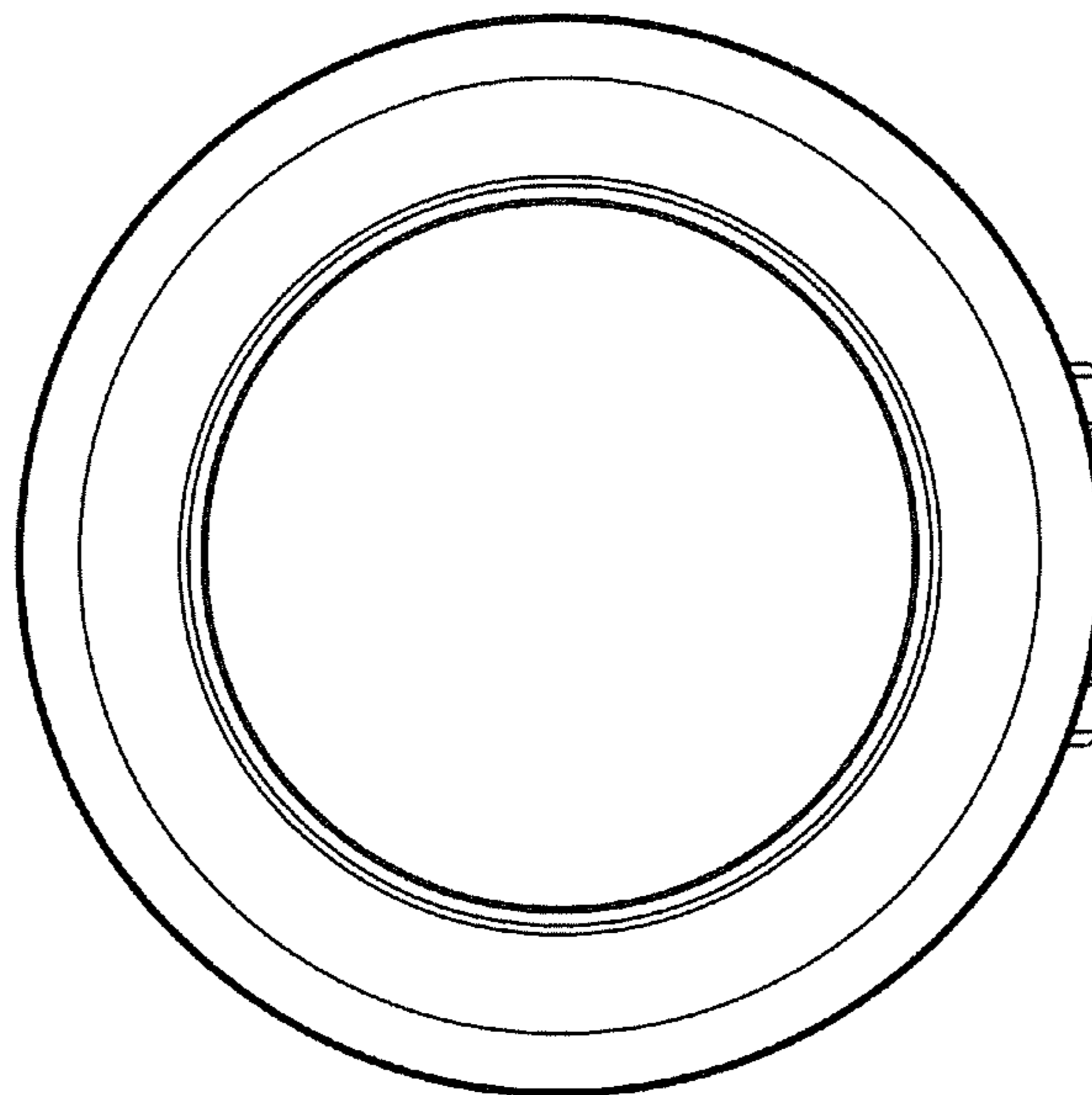


Fig. 7