



US00D686036S

(12) **United States Design Patent**
Nelson

(10) **Patent No.:** **US D686,036 S**
(45) **Date of Patent:** **** Jul. 16, 2013**

(54) **BARBEQUE HOT PLATE ASSEMBLY**

(75) Inventor: **Paul Nelson**, Dromana (AU)

(73) Assignee: **D.A. Christie Pty. Ltd.**, Dromana (AU)

(**) Term: **14 Years**

(21) Appl. No.: **29/403,499**

(22) Filed: **Oct. 6, 2011**

(30) **Foreign Application Priority Data**

Apr. 11, 2011 (AU) 115442011

(51) **LOC (9) Cl.** **07-02**

(52) **U.S. Cl.**
USPC **D7/407**

(58) **Field of Classification Search**

USPC D7/332, 334, 337, 402-404, 408-409,
D7/362-363, 365, 367, 354-355, 359; 126/27,
126/44, 25 R, 41 R, 9 R, 40, 50, 38, 39 H,
126/39 N, 39 K, 39 M, 39 R, 39 J, 39 G,
126/39 E, 285 R, 287, 290, 80, 243, 214 R,
126/214 C; 99/425, 422, 444-446, 450, 481,
99/482, 340, 447, 449; 431/247, 207, 264;
219/443.1, 520, 521, 450.1, 451.1, 468.1

See application file for complete search history.

(56) **References Cited**

U.S. PATENT DOCUMENTS

3,622,753 A * 11/1971 Lax et al. 219/446.1
D296,509 S * 7/1988 Fuke D7/363
D312,748 S * 12/1990 Jung et al. D7/407
5,159,178 A * 10/1992 Chen 219/451.1

5,467,695 A * 11/1995 Keller et al. 99/422
5,740,723 A * 4/1998 Lin 99/422
D454,031 S * 3/2002 Crookshanks D7/402
D483,224 S * 12/2003 Clark D7/402
D525,829 S * 8/2006 Chung D7/402
D526,842 S * 8/2006 Chung D7/402
7,263,987 B2 * 9/2007 Sung et al. 126/25 R
7,301,128 B2 * 11/2007 Li et al. 219/450.1
7,644,710 B2 * 1/2010 Oh 126/25 R
D643,674 S * 8/2011 Lee et al. D7/363
8,141,479 B2 * 3/2012 Ellersiek et al. 99/449
D662,347 S * 6/2012 May et al. D7/334
D663,583 S * 7/2012 Segers et al. D7/402
D668,104 S * 10/2012 Segers et al. D7/402
2009/0090250 A1 * 4/2009 Zhou et al. 99/422

* cited by examiner

Primary Examiner — Ruth McInroy

(74) *Attorney, Agent, or Firm* — Knobbe Martens Olson & Bear LLP

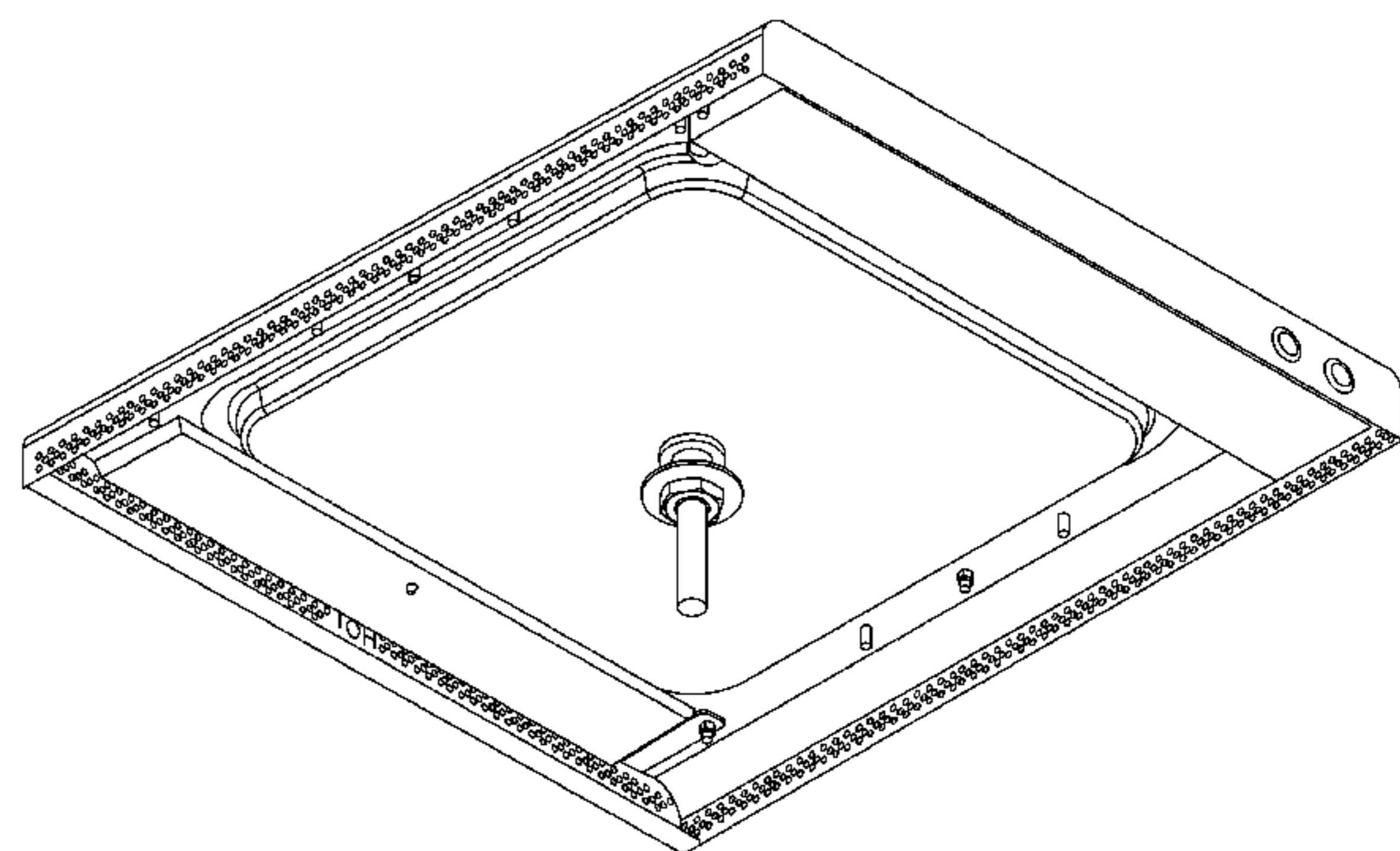
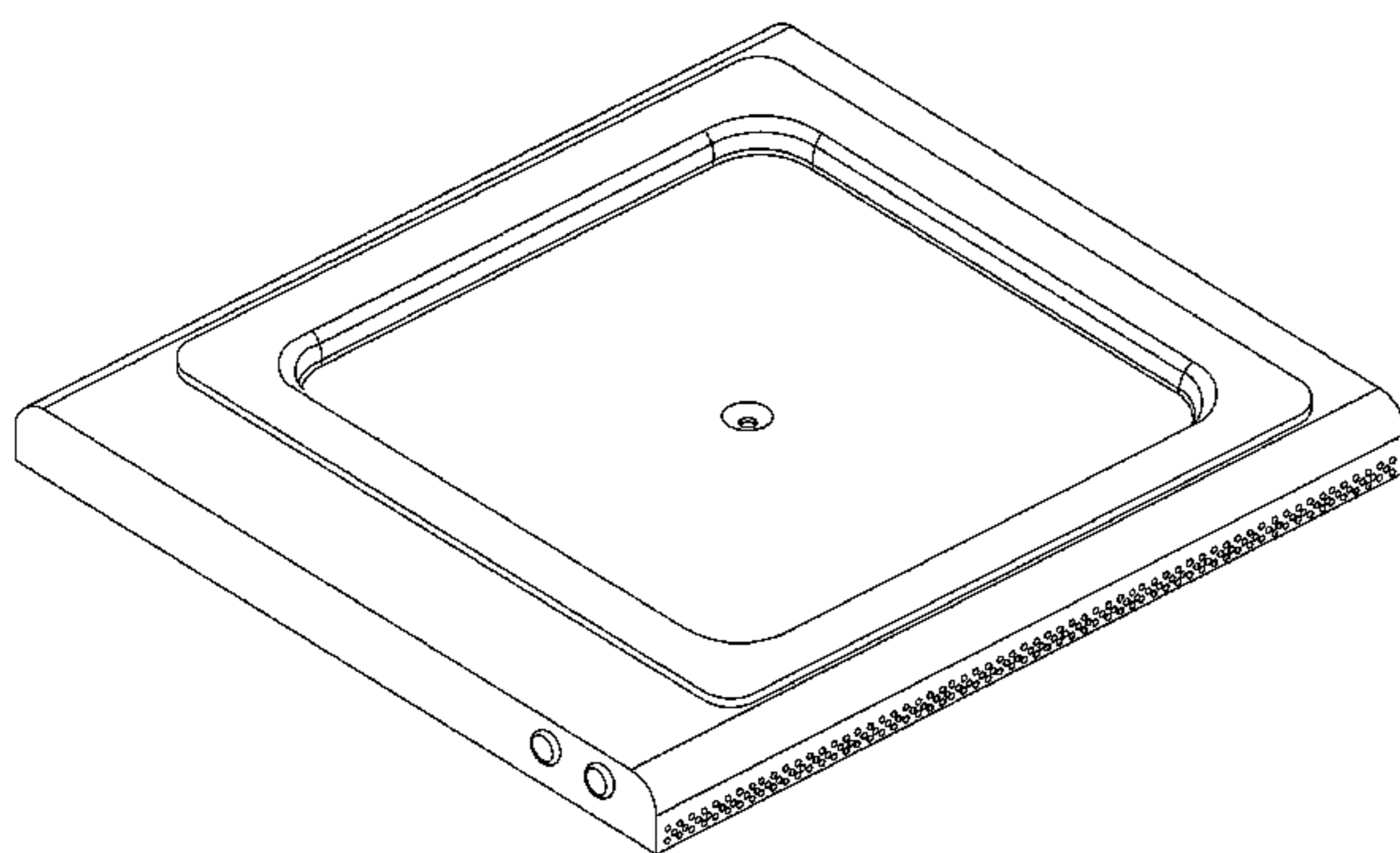
(57) **CLAIM**

I claim the ornamental design for a barbecue hot plate assembly, as shown and described.

DESCRIPTION

FIG. 1 is a top, front, and right side perspective view of a barbecue hot plate assembly showing my new design;
FIG. 2 is a bottom perspective view thereof;
FIG. 3 is a top view thereof;
FIG. 4 is a rear view thereof;
FIG. 5 is a front view thereof;
FIG. 6 is a right side view thereof; and,
FIG. 7 is a left side view thereof.

1 Claim, 7 Drawing Sheets



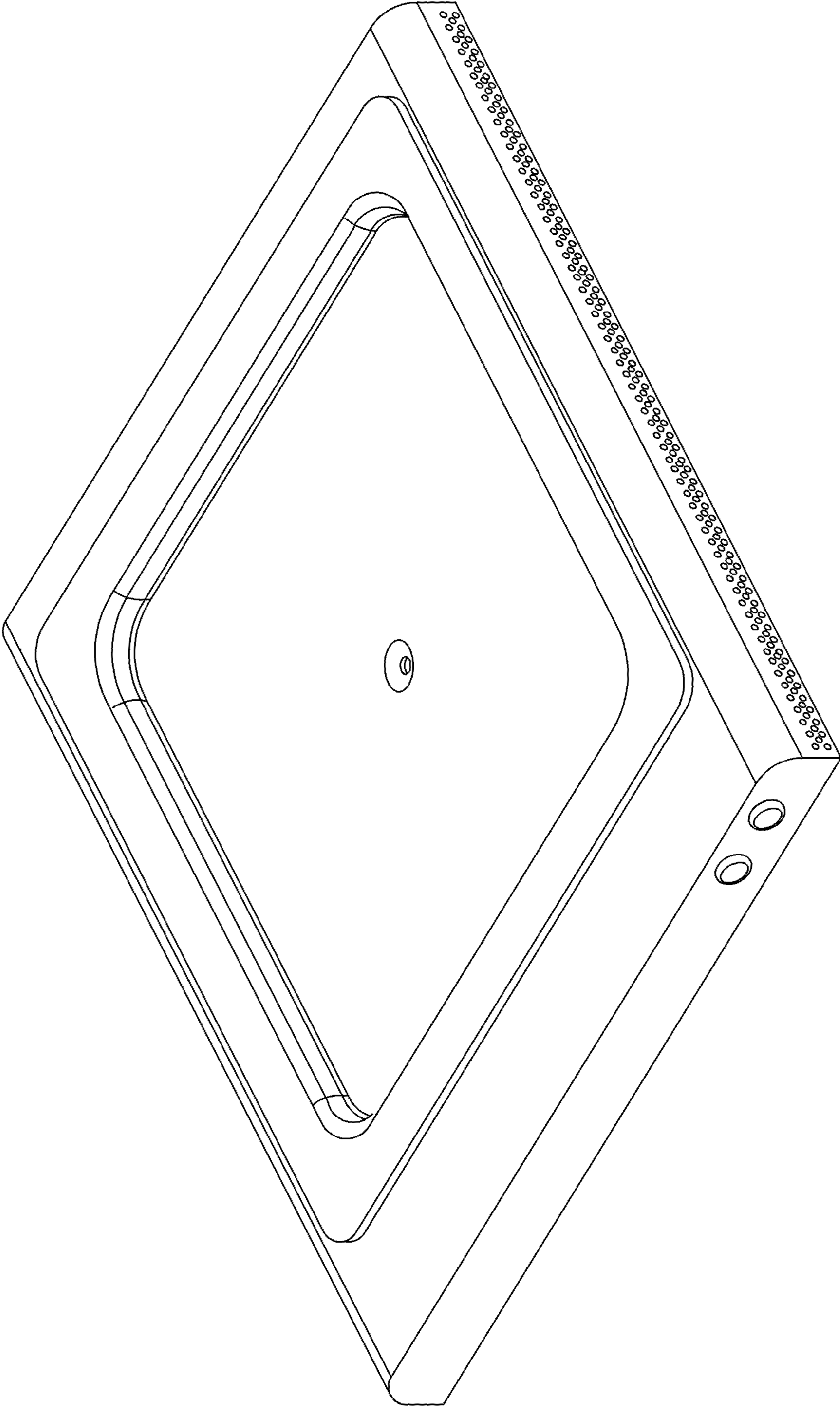


FIGURE 1

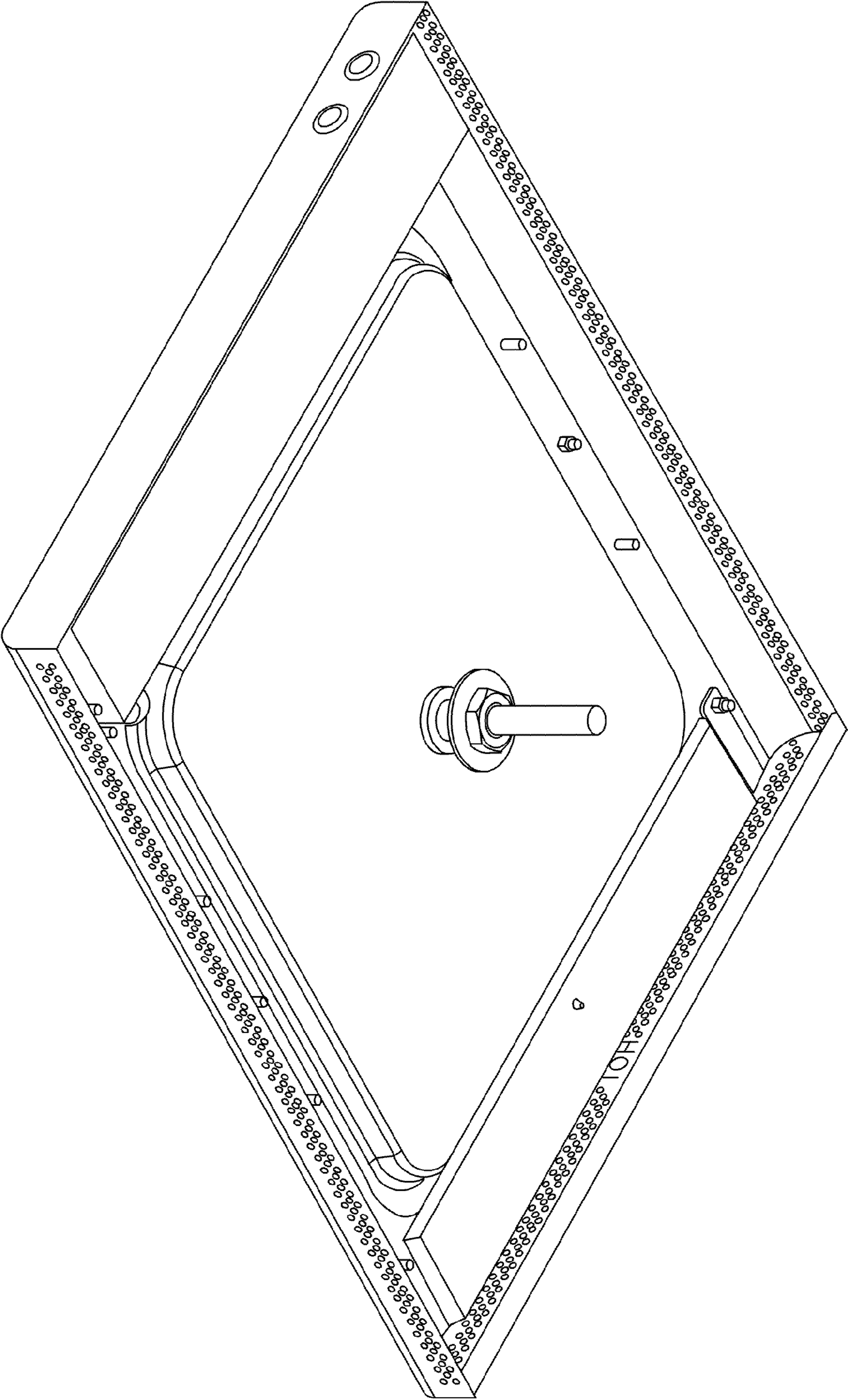


FIGURE 2

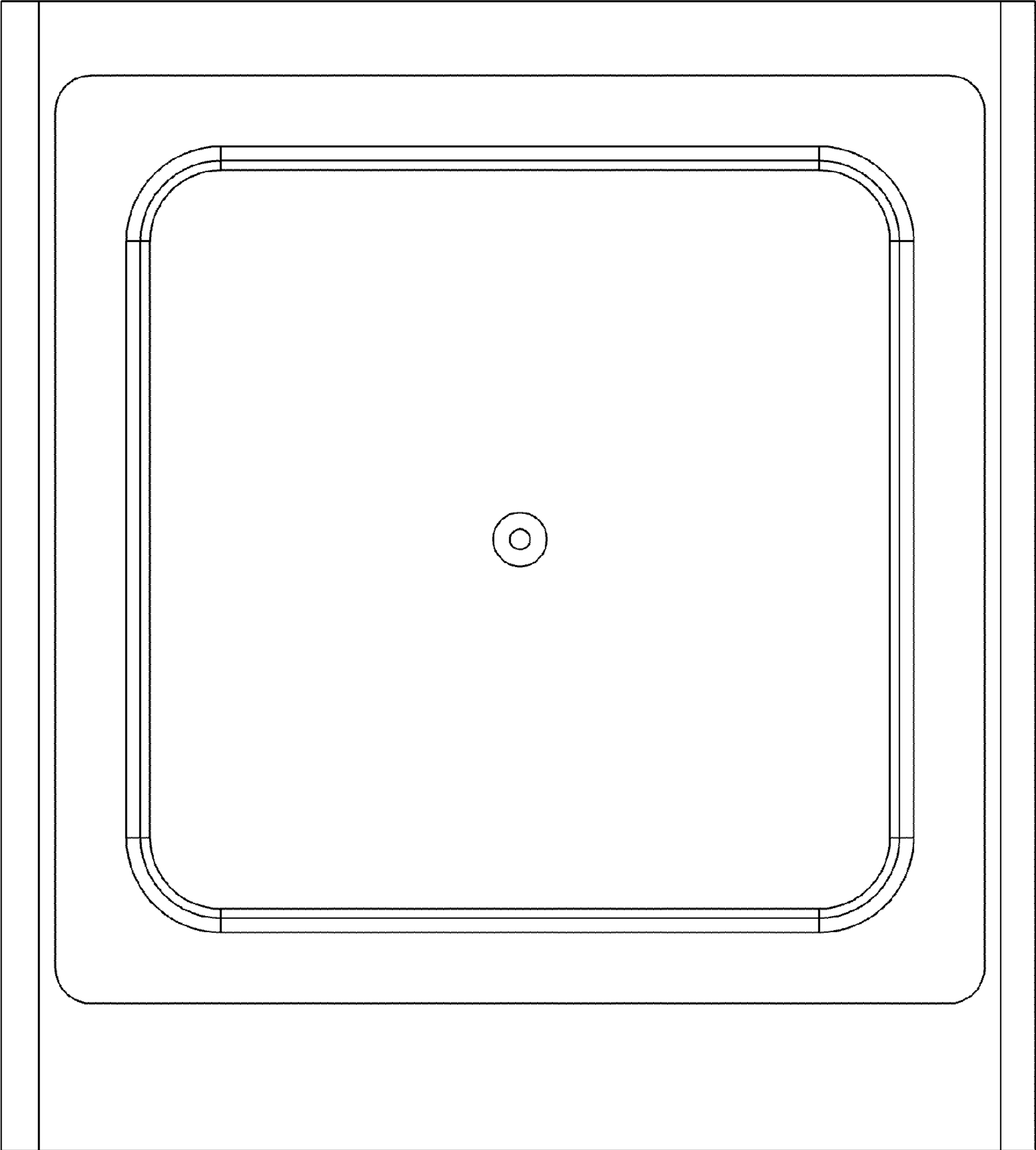


FIGURE 3

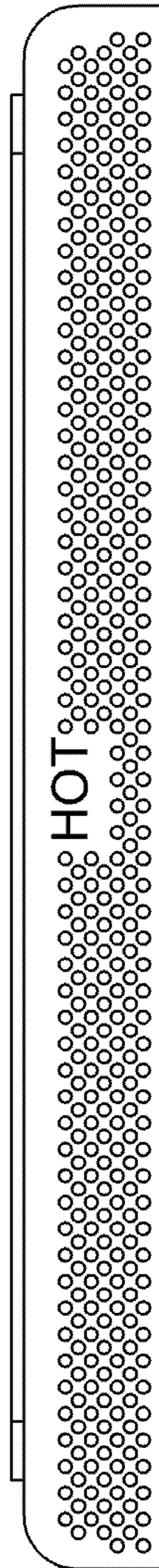


FIGURE 4

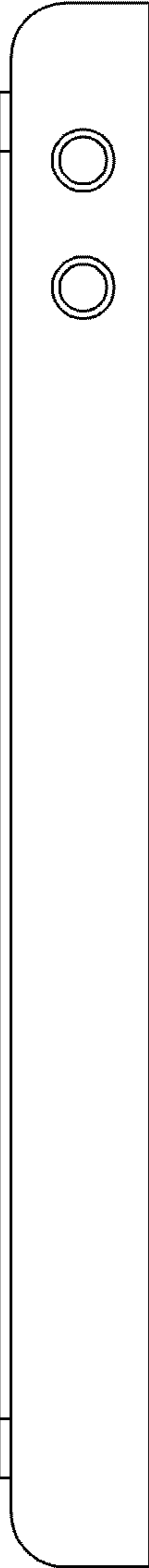


FIGURE 5

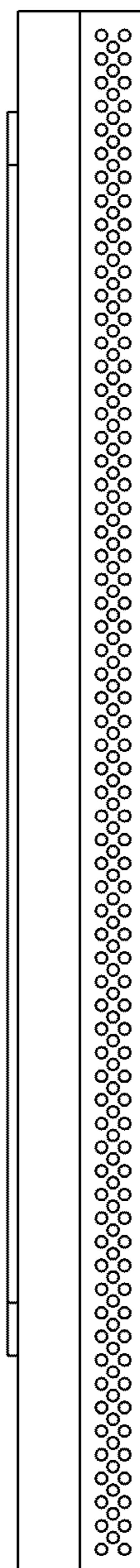


FIGURE 6

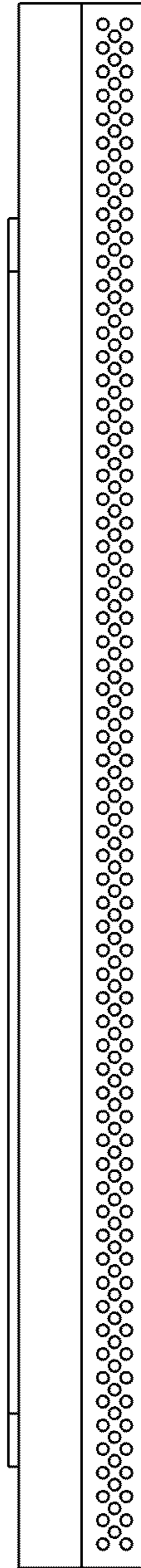


FIGURE 7