



US00D686035S

(12) **United States Design Patent**
Betzler

(10) **Patent No.:** **US D686,035 S**

(45) **Date of Patent:** **** Jul. 16, 2013**

(54) **ATTACHMENT RING**

(75) Inventor: **Michael Betzler**, Abtsgmünd (DE)

(73) Assignee: **RUD Ketten Rieger & Dietz GmbH u. Co. KG**, Aalen (DE)

(**) Term: **14 Years**

(21) Appl. No.: **29/372,783**

(22) Filed: **Jan. 11, 2011**

(30) **Foreign Application Priority Data**

Jul. 22, 2010 (EM) 001734708

(51) **LOC (9) Cl.** **08-05**

(52) **U.S. Cl.**
USPC **D7/367; D7/356**

(58) **Field of Classification Search**
USPC D8/367, 354, 349, 356
See application file for complete search history.

(56) **References Cited**

U.S. PATENT DOCUMENTS

D161,799 S *	1/1951	Sprung	D8/367
D172,741 S *	8/1954	Cooper	D8/367
D360,353 S *	7/1995	Schriever	D8/356
D367,418 S *	2/1996	Lathrop	D8/349
D415,951 S *	11/1999	Kraine	D8/354
6,113,328 A *	9/2000	Claucherty	410/106
D452,136 S *	12/2001	Harding	D8/356
D455,111 S *	4/2002	McBride	D12/317
D455,112 S *	4/2002	McBride	D12/317
D494,044 S *	8/2004	Steele	D8/356
6,799,607 B1 *	10/2004	Friedline et al.	138/106
D499,957 S *	12/2004	Friedline et al.	D8/380
D516,415 S *	3/2006	Friedline et al.	D8/380
D516,416 S *	3/2006	Friedline et al.	D8/380
D516,903 S *	3/2006	Friedline et al.	D8/380

D523,326 S *	6/2006	Naderney et al.	D8/354
D527,986 S *	9/2006	Johnson	D8/354
7,195,038 B2 *	3/2007	Friedline et al.	138/106
D551,950 S *	10/2007	Davenport	D8/367
7,367,363 B2 *	5/2008	Friedline et al.	138/106
7,481,247 B2 *	1/2009	Friedline et al.	138/106
D592,939 S *	5/2009	Kelleghan	D8/356
7,543,606 B2 *	6/2009	Friedline et al.	138/106
7,783,519 B2 *	8/2010	Alba et al.	705/26.1

OTHER PUBLICATIONS

http://www.globalspec.com/FeaturedProducts/Detail/RudChain/ABA_weldon_Lifting_Points/165129/0.*

* cited by examiner

Primary Examiner — Cynthia Underwood

(74) *Attorney, Agent, or Firm* — Mark P. Stone

(57) **CLAIM**

The ornamental design for “attachment ring”, as shown and described.

DESCRIPTION

FIG. 1 is a front perspective view of an attachment ring showing my new design. The rear of the attachment ring has the same appearance as the front;

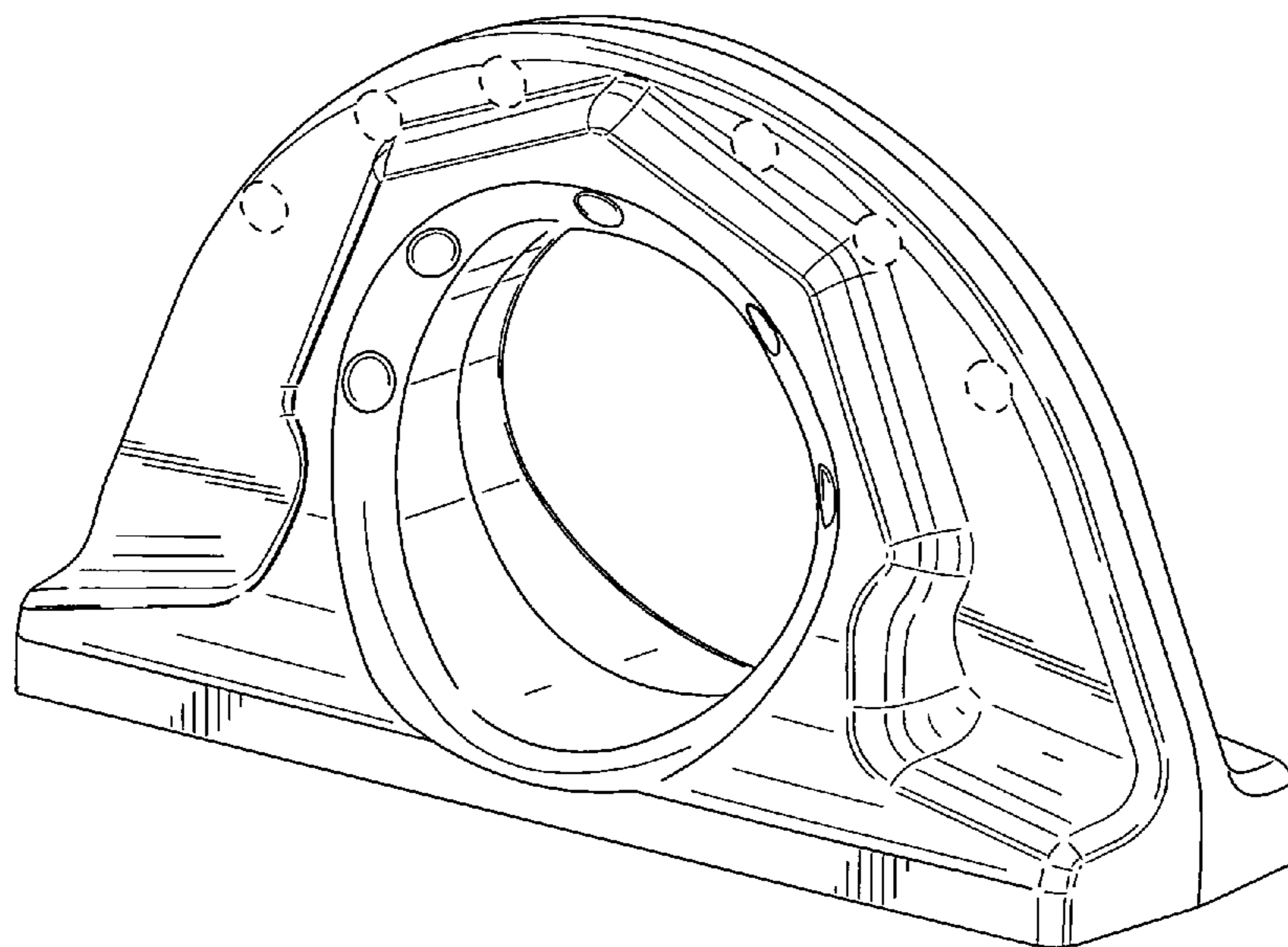
FIG. 2 is a top plan view of the attachment ring illustrated by FIG. 1;

FIG. 3 is a front elevational view of the attachment ring illustrated by FIG. 1. The rear of the attachment ring has the same appearance as the front; and,

FIG. 4 is a right side elevational view of the attachment ring illustrated by FIG. 1. The left side of the attachment ring has the same appearance as the right side.

The broken lines are for illustrative purposes only and form no part of the claim.

1 Claim, 4 Drawing Sheets



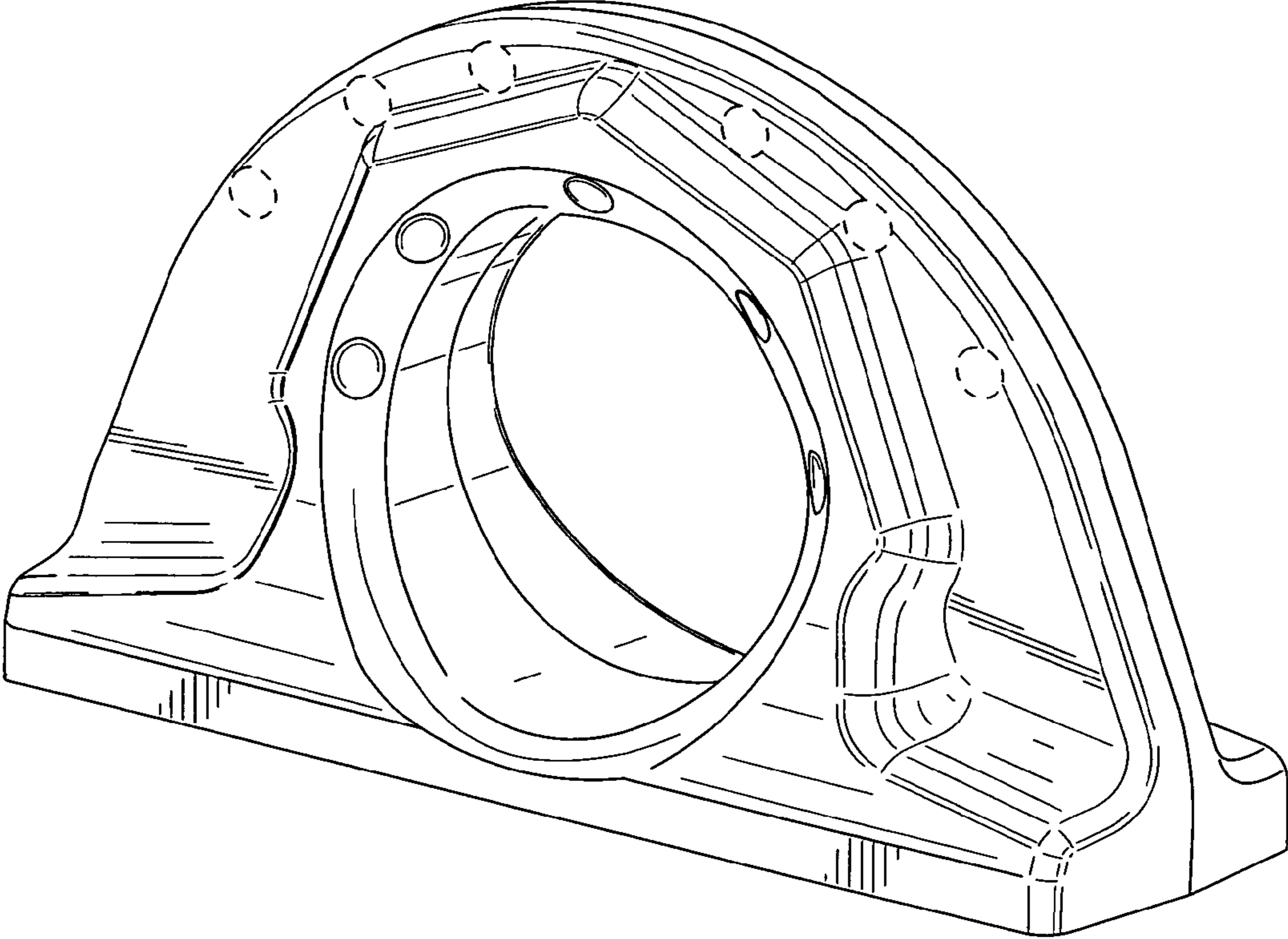


FIG. 1

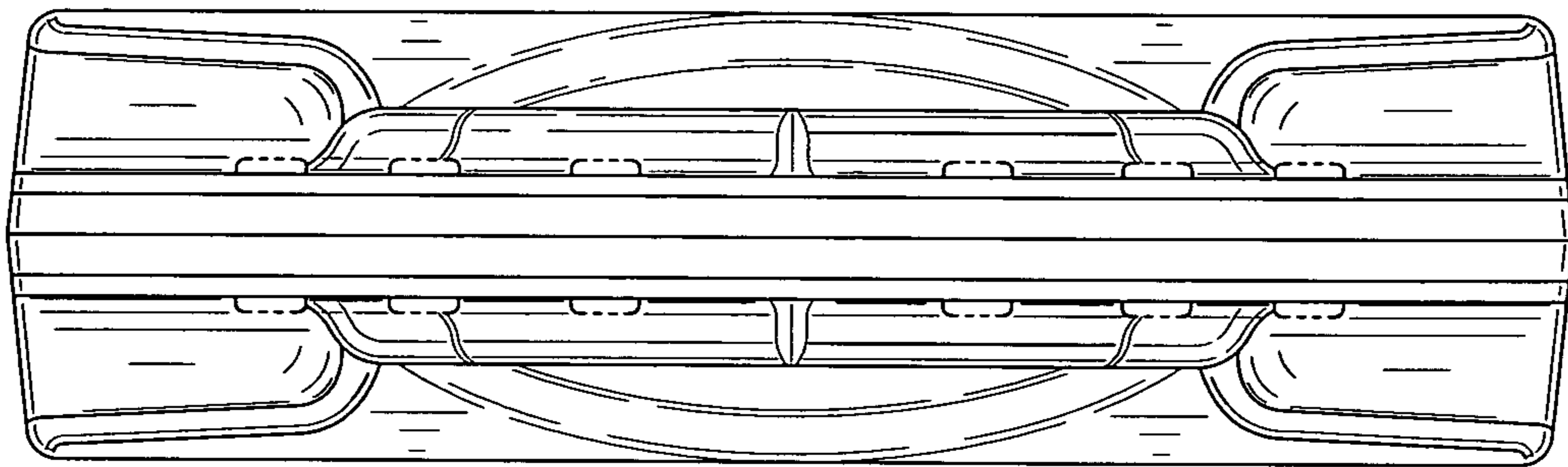


FIG. 2

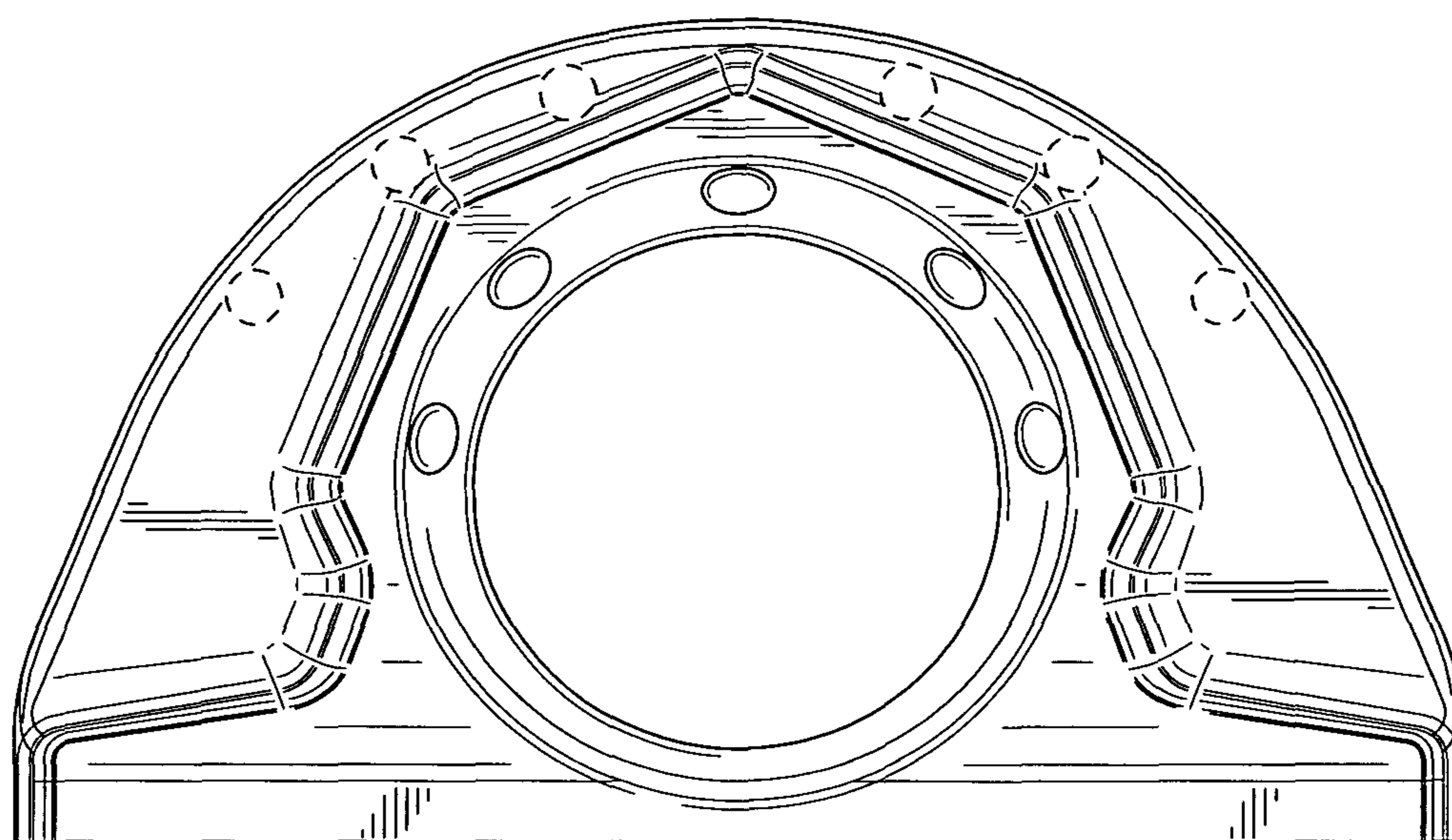


FIG. 3

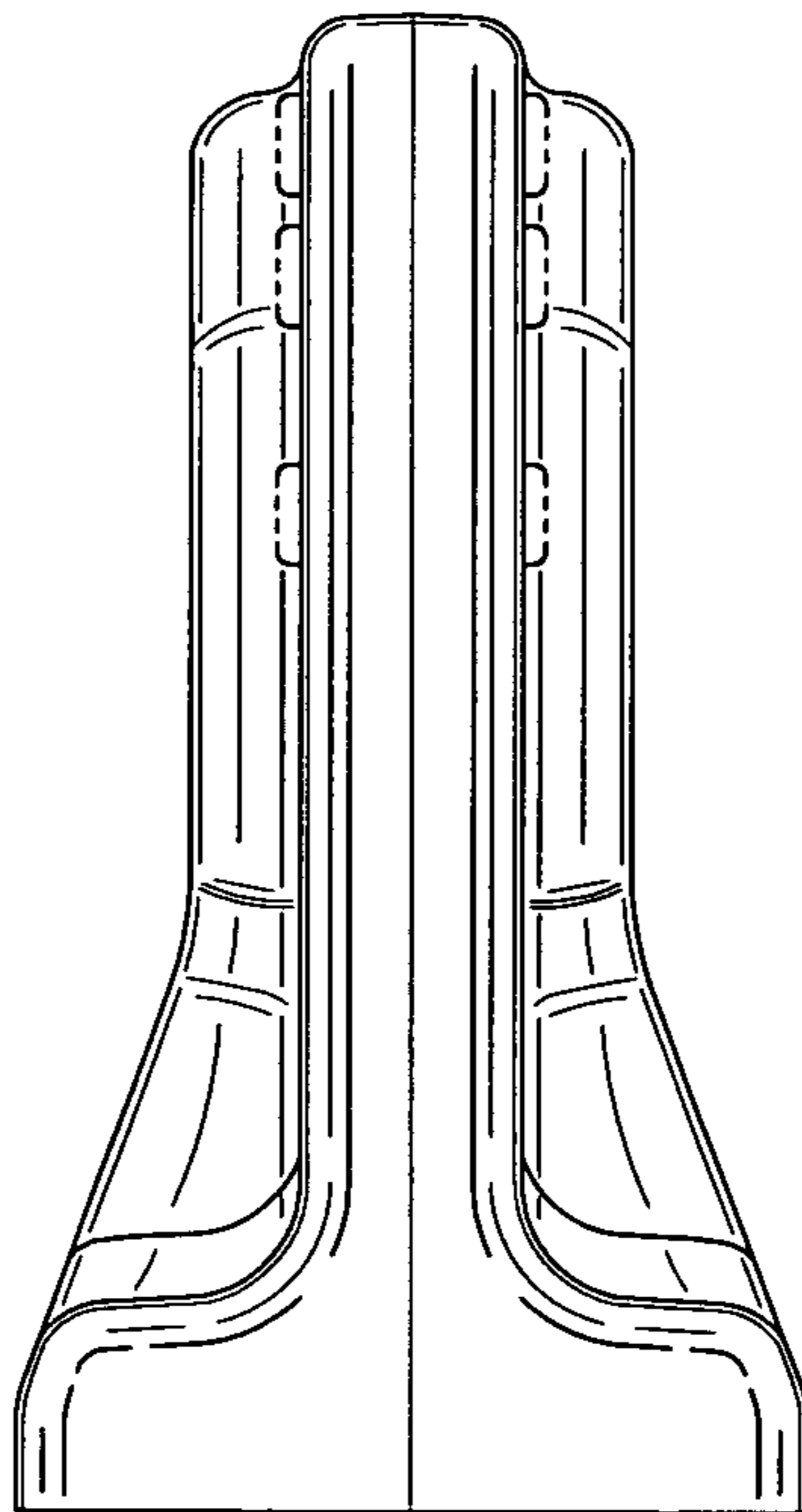


FIG. 4