



US00D686034S

(12) **United States Design Patent**  
**Bodum**

(10) **Patent No.:** **US D686,034 S**  
(45) **Date of Patent:** **\*\* Jul. 16, 2013**

(54) **JUG**  
(75) Inventor: **Jørgen Bodum**, Meggen (CH)  
(73) Assignee: **PI-Design AG**, Triengen (CH)  
(\*\*) Term: **14 Years**

D610,860 S \* 3/2010 Bodum ..... D7/319  
D611,754 S \* 3/2010 Bodum ..... D7/318  
D612,660 S \* 3/2010 Bodum ..... D7/319

**FOREIGN PATENT DOCUMENTS**

CH 070345 6/2008  
CH 072024 3/2009  
CH 071904 6/2009

(21) Appl. No.: **29/405,106**  
(22) Filed: **Oct. 28, 2011**

**OTHER PUBLICATIONS**

Bodum catalog 2010, pp. 32 and 40.

\* cited by examiner

(30) **Foreign Application Priority Data**

May 23, 2011 (WO) ..... DM/076 075

(51) **LOC (9) Cl.** ..... **07-01**

(52) **U.S. Cl.**  
USPC ..... **D7/318; D7/317; D7/322**

(58) **Field of Classification Search**  
USPC ..... D7/322, 321, 318, 319, 312, 317; 99/297,  
99/287; 215/12.1, 13.1; 222/129.1  
See application file for complete search history.

*Primary Examiner* — Marianne Pandozzi

(74) *Attorney, Agent, or Firm* — Sughrue Mion, PLLC

(57) **CLAIM**

The ornamental design for a jug, as shown and described.

**DESCRIPTION**

FIG. 1 is a perspective view showing my new design;  
FIG. 2 is a right side elevation view thereof;  
FIG. 3 is a left side elevation view thereof;  
FIG. 4 is a front side elevation view thereof;  
FIG. 5 is a back side elevation view thereof;  
FIG. 6 is a top plan view thereof;  
FIG. 7 is a bottom view thereof; and,  
FIG. 8 is an exploded perspective view thereof.

**1 Claim, 8 Drawing Sheets**

(56) **References Cited**

**U.S. PATENT DOCUMENTS**

D454,468 S \* 3/2002 Mano ..... D7/318  
D513,919 S \* 1/2006 Bodum ..... D7/319  
D528,846 S \* 9/2006 Tamura ..... D7/318  
D602,304 S \* 10/2009 Elissen ..... D7/318

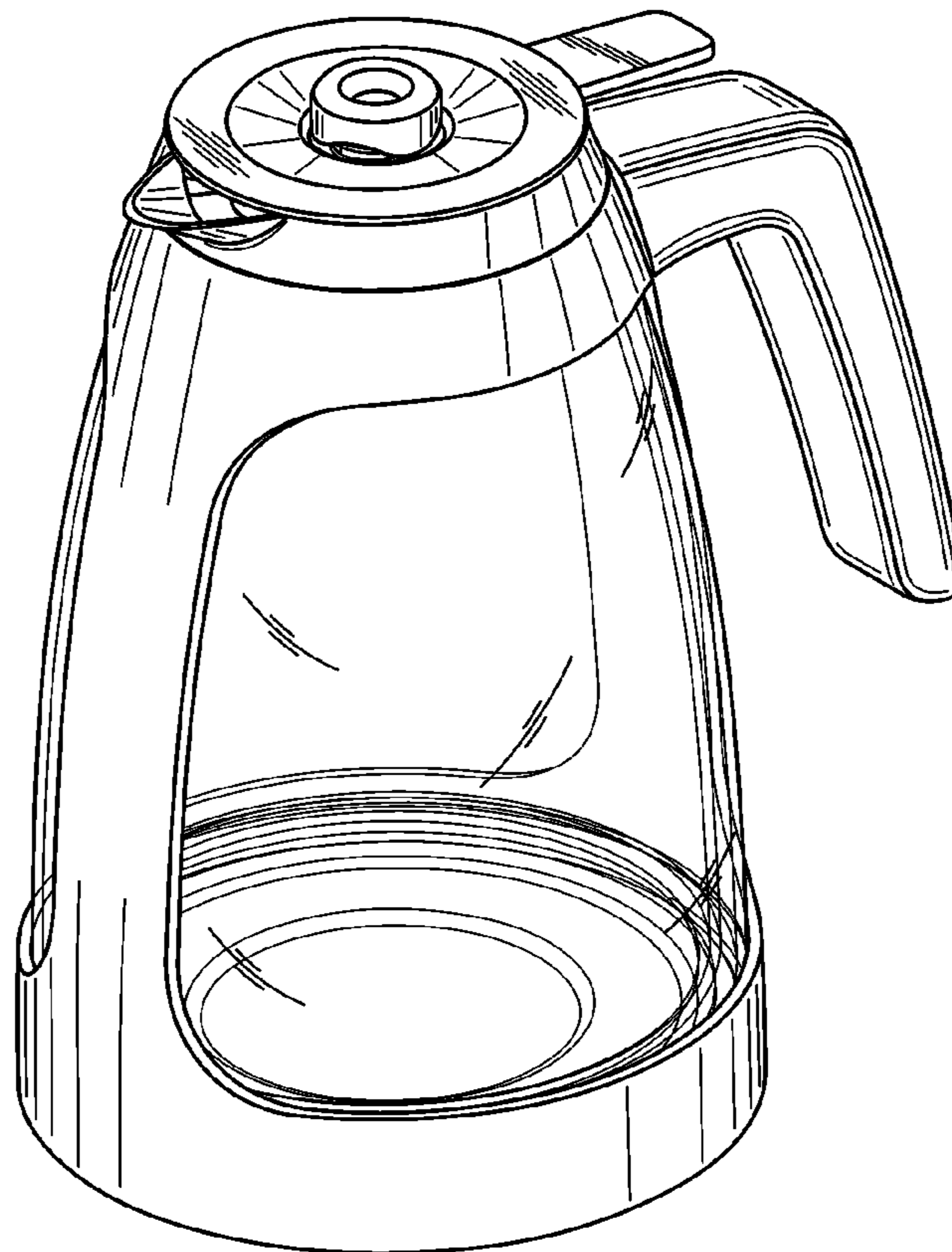


Figure 1



Figure 2

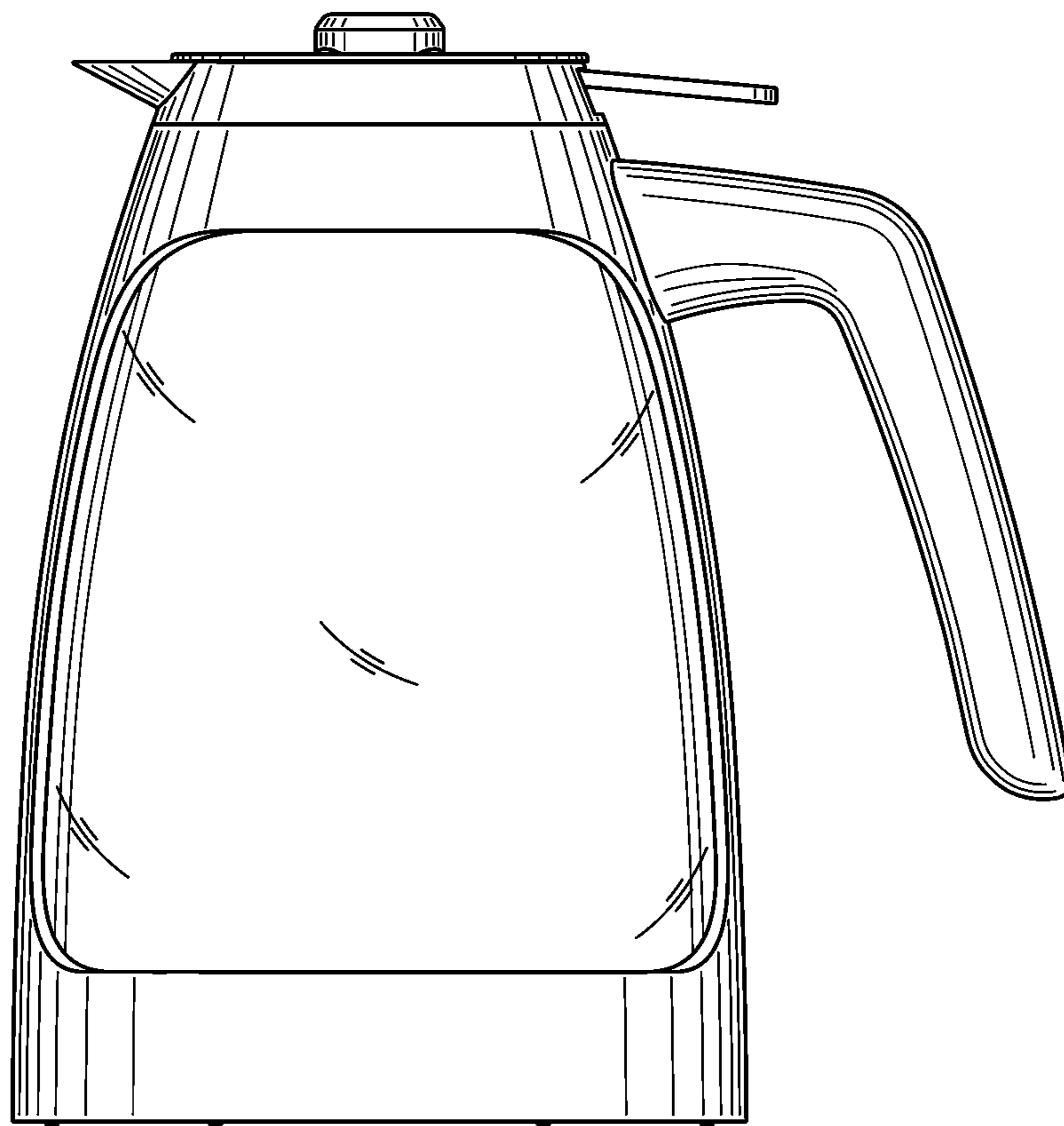


Figure 3

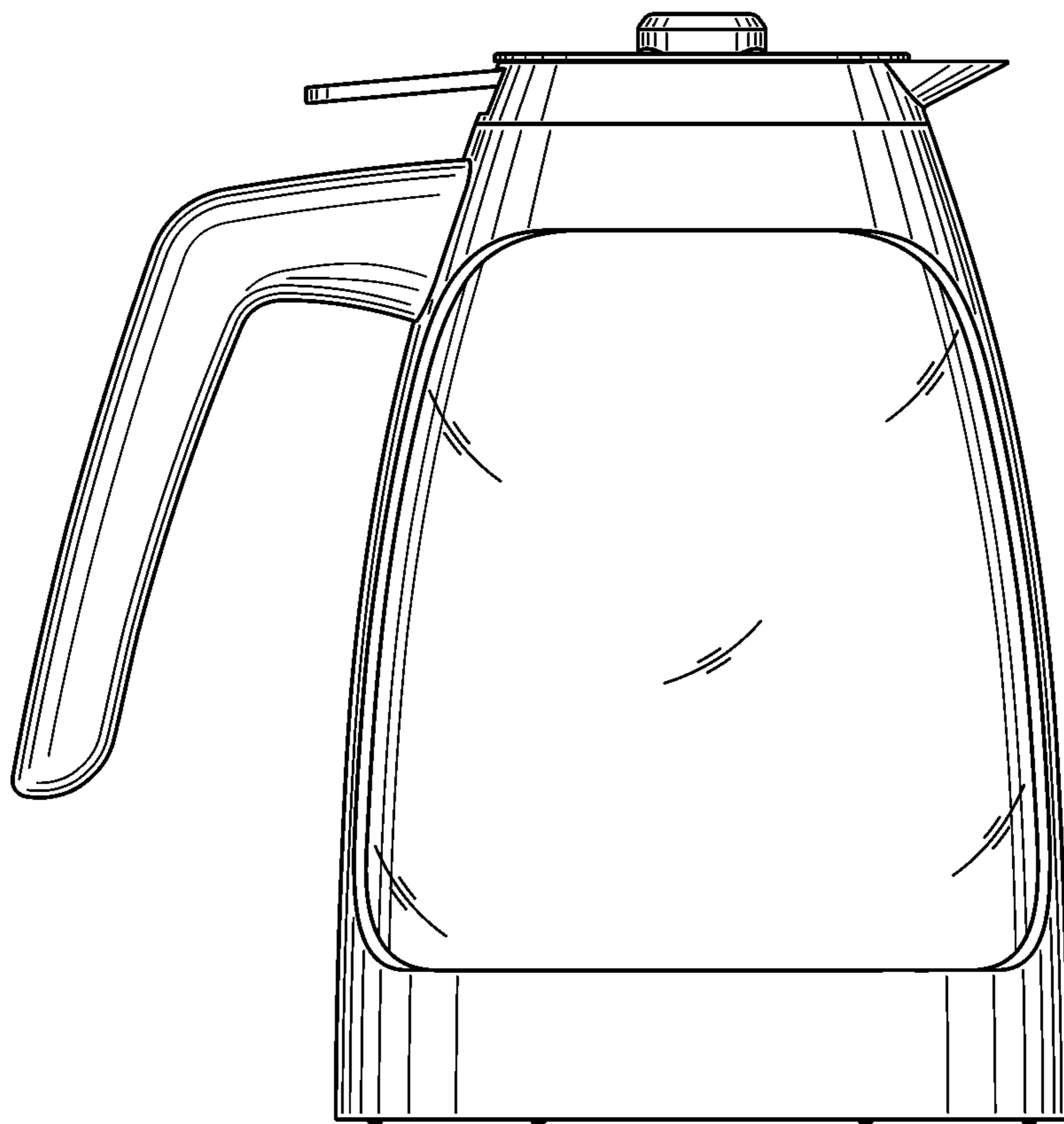


Figure 4

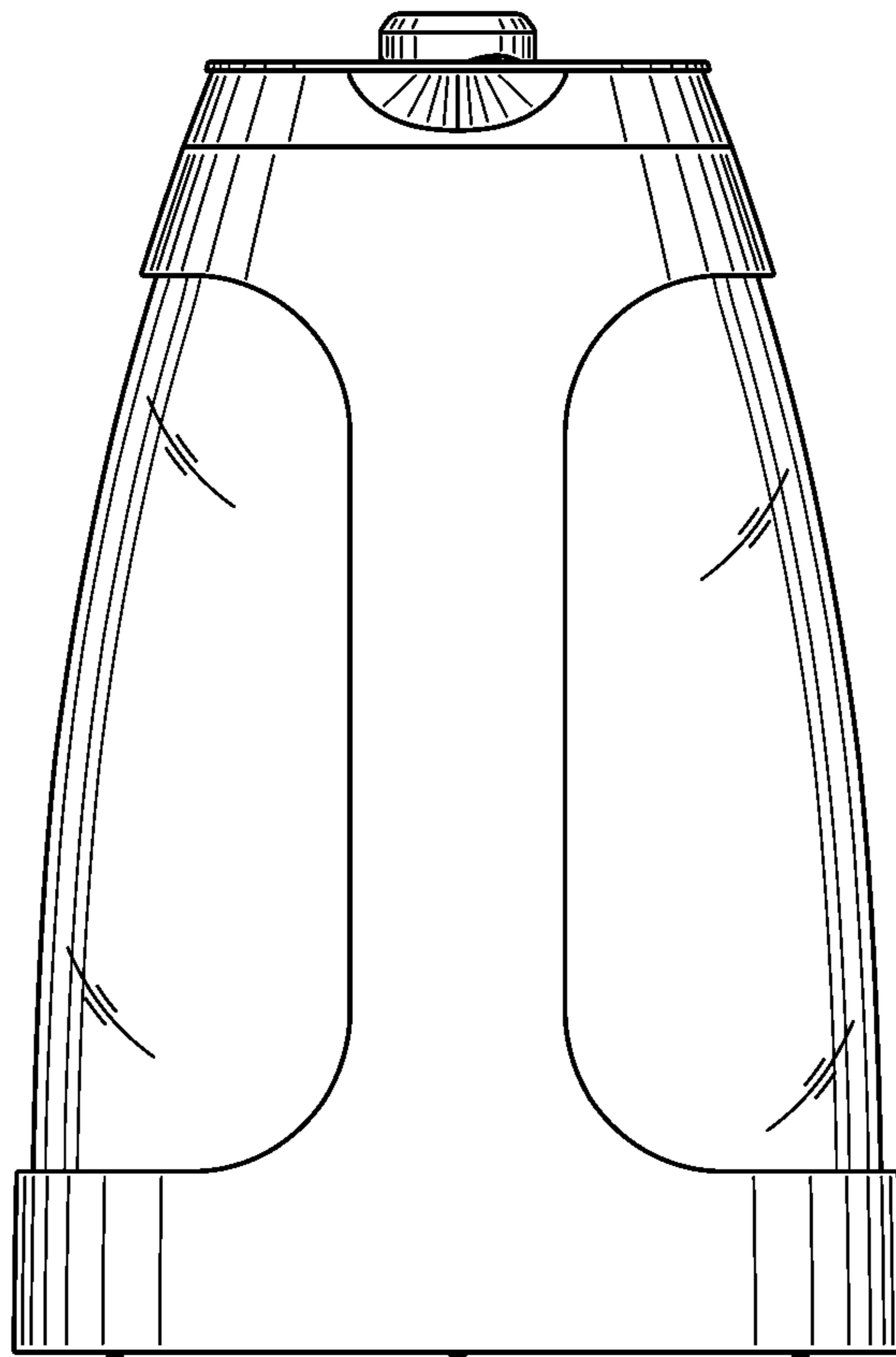


Figure 5

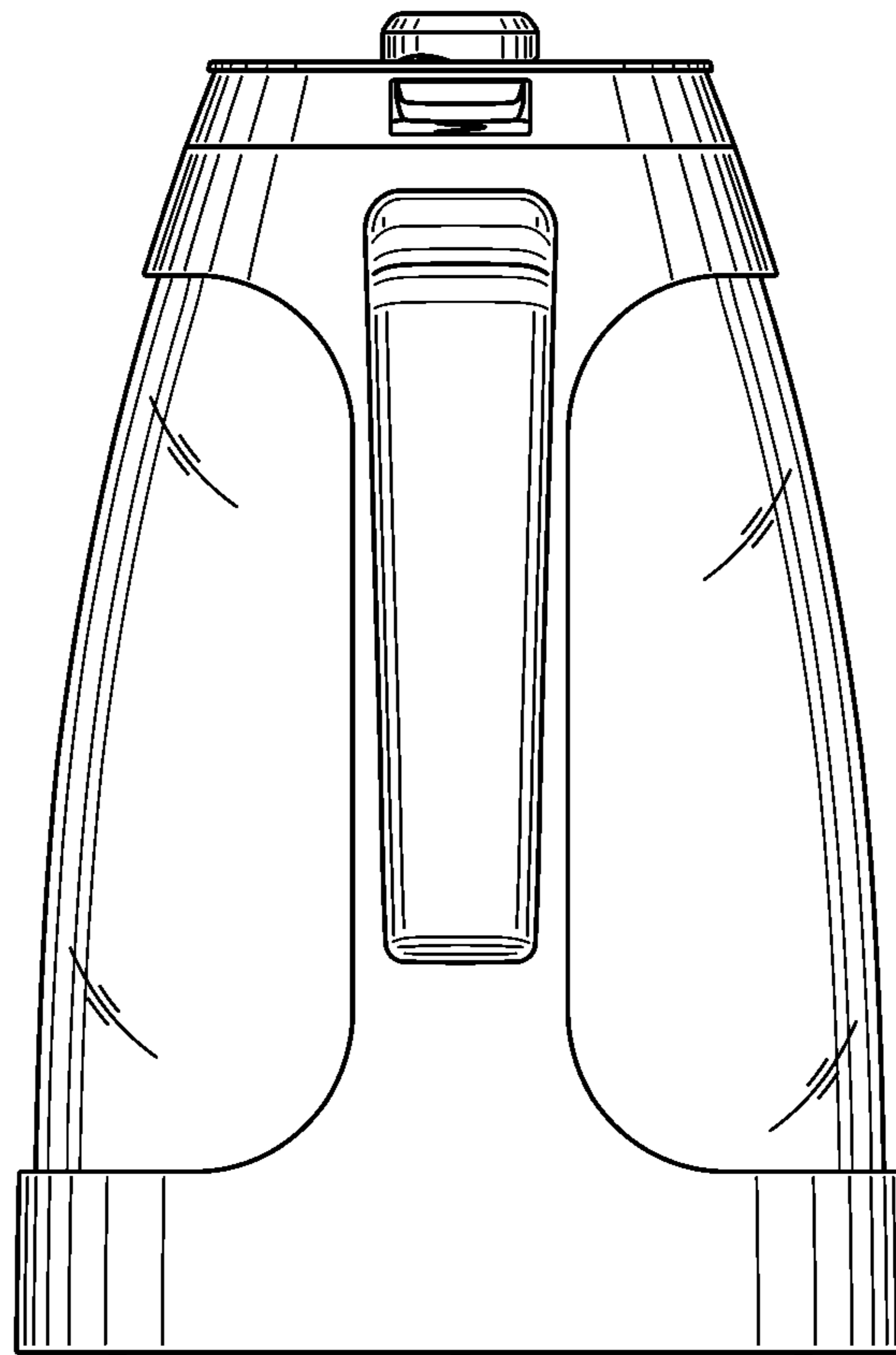


Figure 6

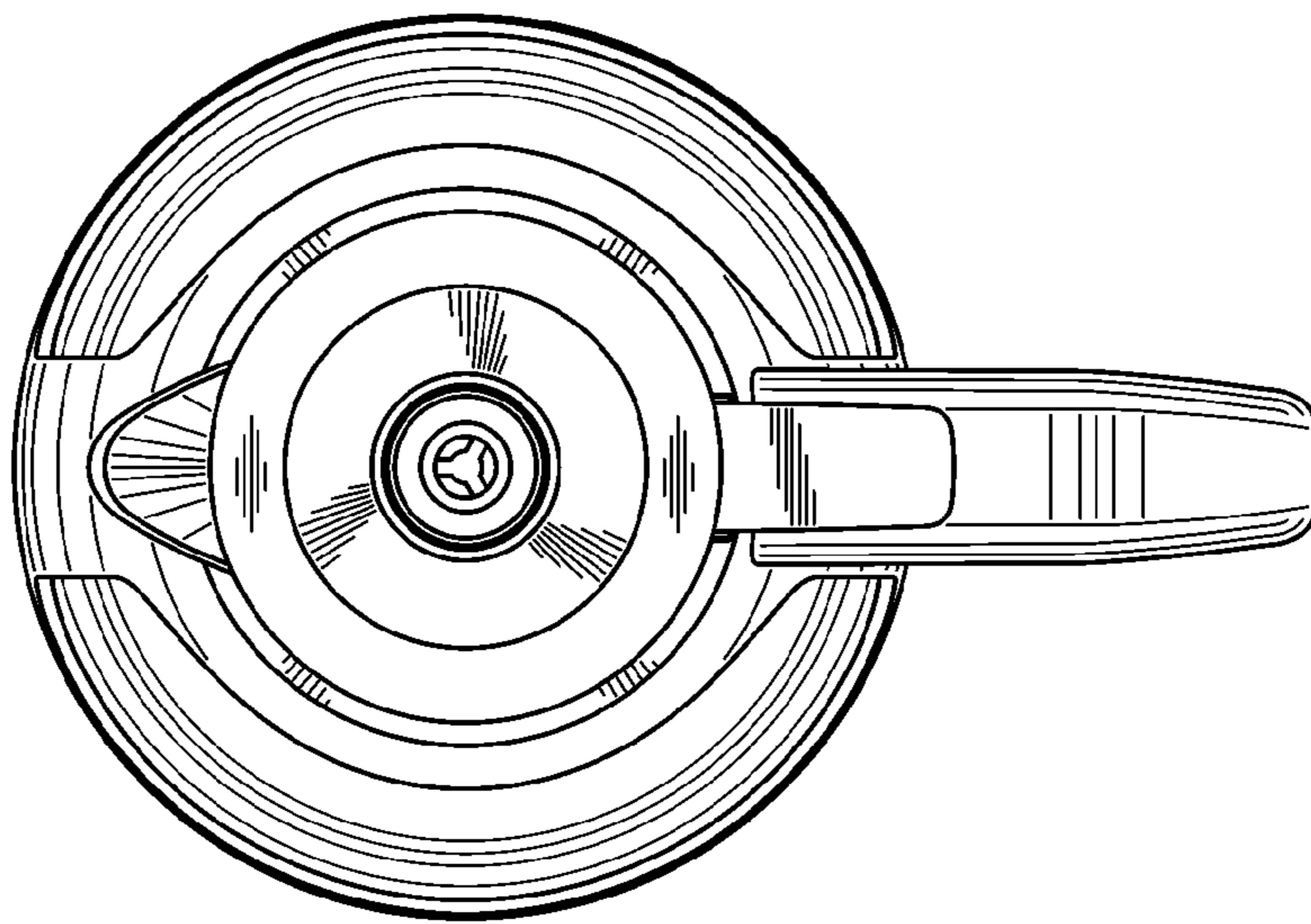


Figure 7

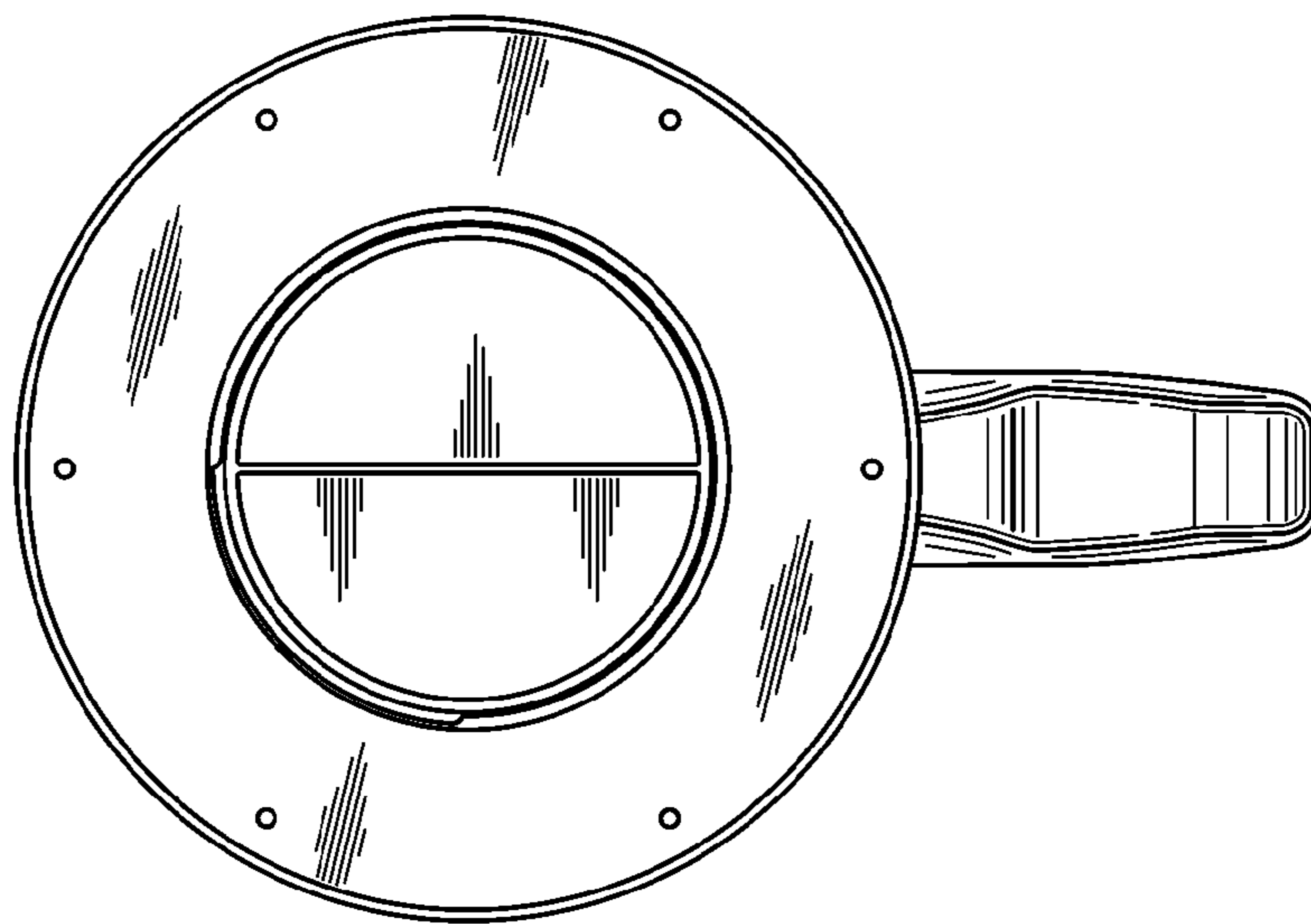




FIGURE 8

