



US00D686033S

(12) **United States Design Patent**
Burton et al.

(10) **Patent No.:** **US D686,033 S**
(45) **Date of Patent:** **** Jul. 16, 2013**

- (54) **HOT BEVERAGE APPLIANCE**
- (75) Inventors: **Alan Burton**, Lake Worth, FL (US);
William Goralski, Delray Beach, FL
(US); **Michael Page**, Coral Gables, FL
(US)
- (73) Assignee: **Sunbeam Products, Inc.**, Boca Raton,
FL (US)
- (**) Term: **14 Years**
- (21) Appl. No.: **29/417,329**
- (22) Filed: **Apr. 2, 2012**
- (51) **LOC (9) Cl.** **07-01**
- (52) **U.S. Cl.**
USPC **D7/306; D7/309; D7/311**
- (58) **Field of Classification Search**
USPC ... D7/306-311, 300; 99/495, 295; 222/129.1,
222/146.6
See application file for complete search history.

D354,193 S *	1/1995	Storsberg	D7/309
D598,693 S *	8/2009	Kindler et al.	D7/309
D646,108 S *	10/2011	Zoppellari	D7/309
D647,356 S *	10/2011	De' Longhi	D7/309
D648,973 S *	11/2011	De' Longhi	D7/309
D667,252 S *	9/2012	Rousselin	D7/309
D675,860 S *	2/2013	Tonelli et al.	D7/309
D678,718 S *	3/2013	Grassia	D7/399

* cited by examiner

Primary Examiner — Marianne Pandozzi
(74) *Attorney, Agent, or Firm* — Michael J. Corrigan

(57) **CLAIM**
The ornamental design for the hot beverage appliance, as shown and described.

DESCRIPTION

FIG. 1 is a front perspective view of the hot beverage appliance;
FIG. 2 is a front view thereof;
FIG. 3 is a rear view thereof;
FIG. 4 is left side view thereof;
FIG. 5 is a right side view thereof; and,
FIG. 6 is a top view thereof.
The portion shown in dashed lines is shown for illustrative purposes only and forms no part of the claimed design.

1 Claim, 5 Drawing Sheets

- (56) **References Cited**
U.S. PATENT DOCUMENTS
D324,150 S * 2/1992 De Felip D7/309
D337,475 S * 7/1993 Seiffert D7/309

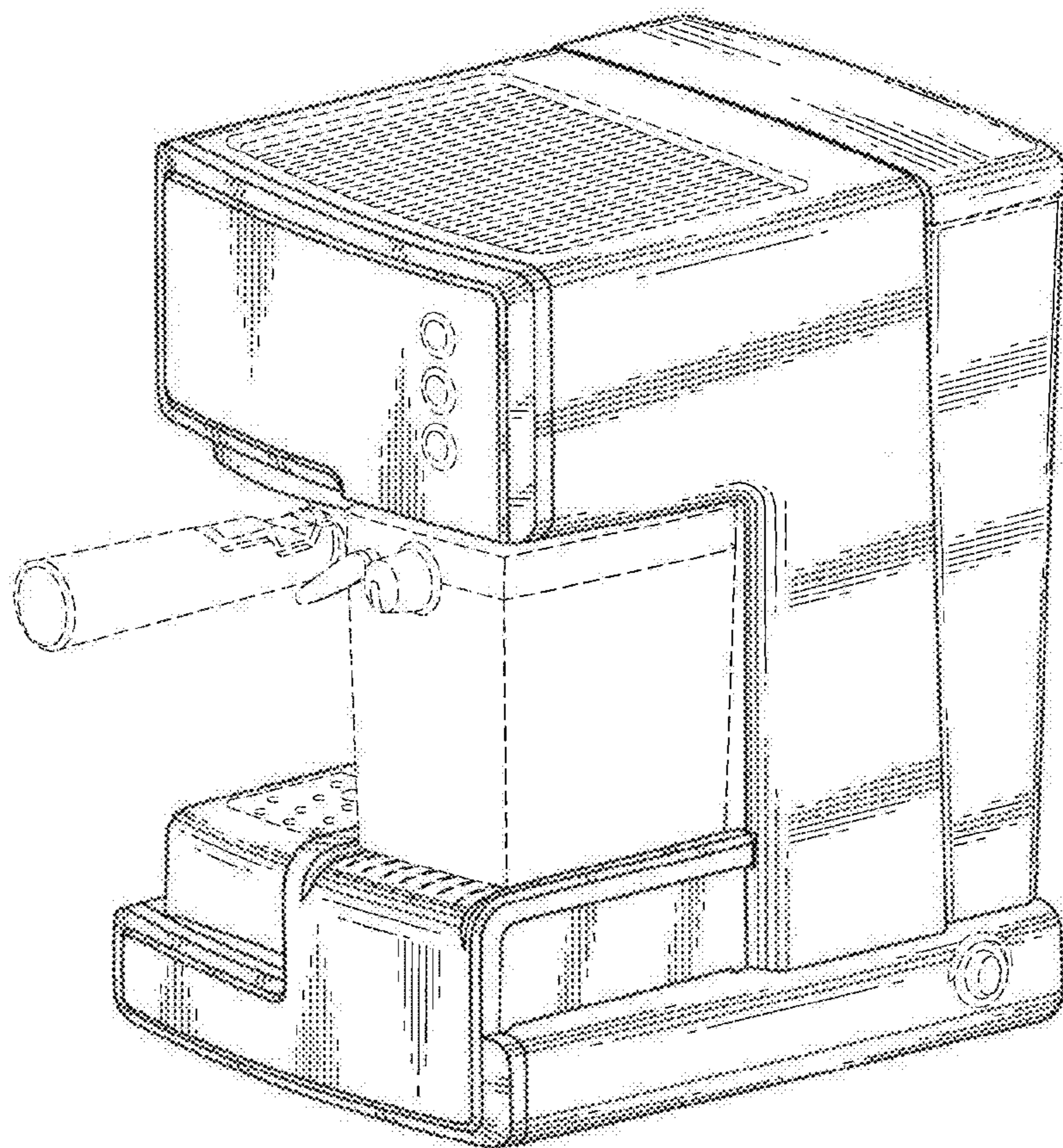


FIG. 1

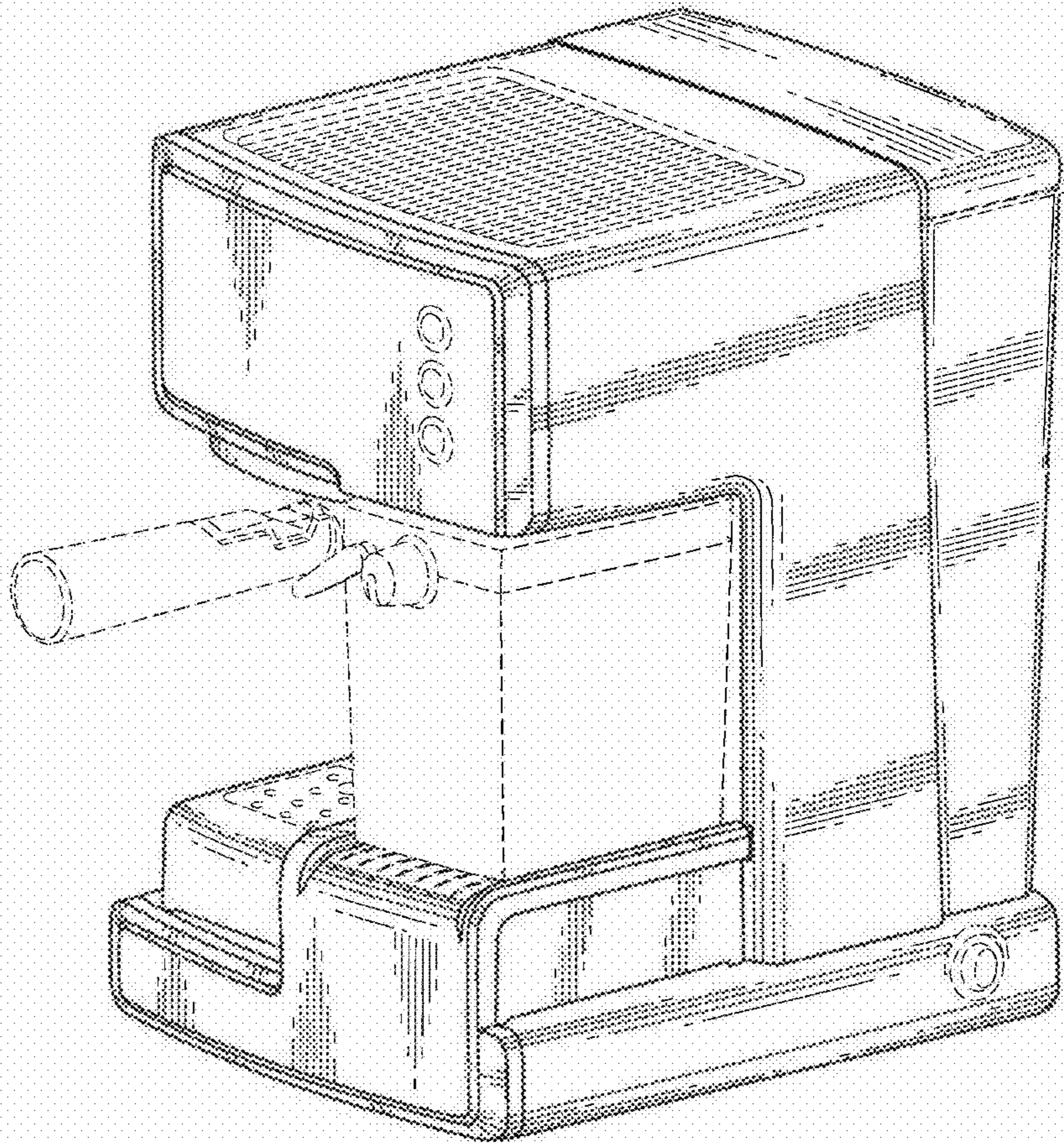


FIG. 3

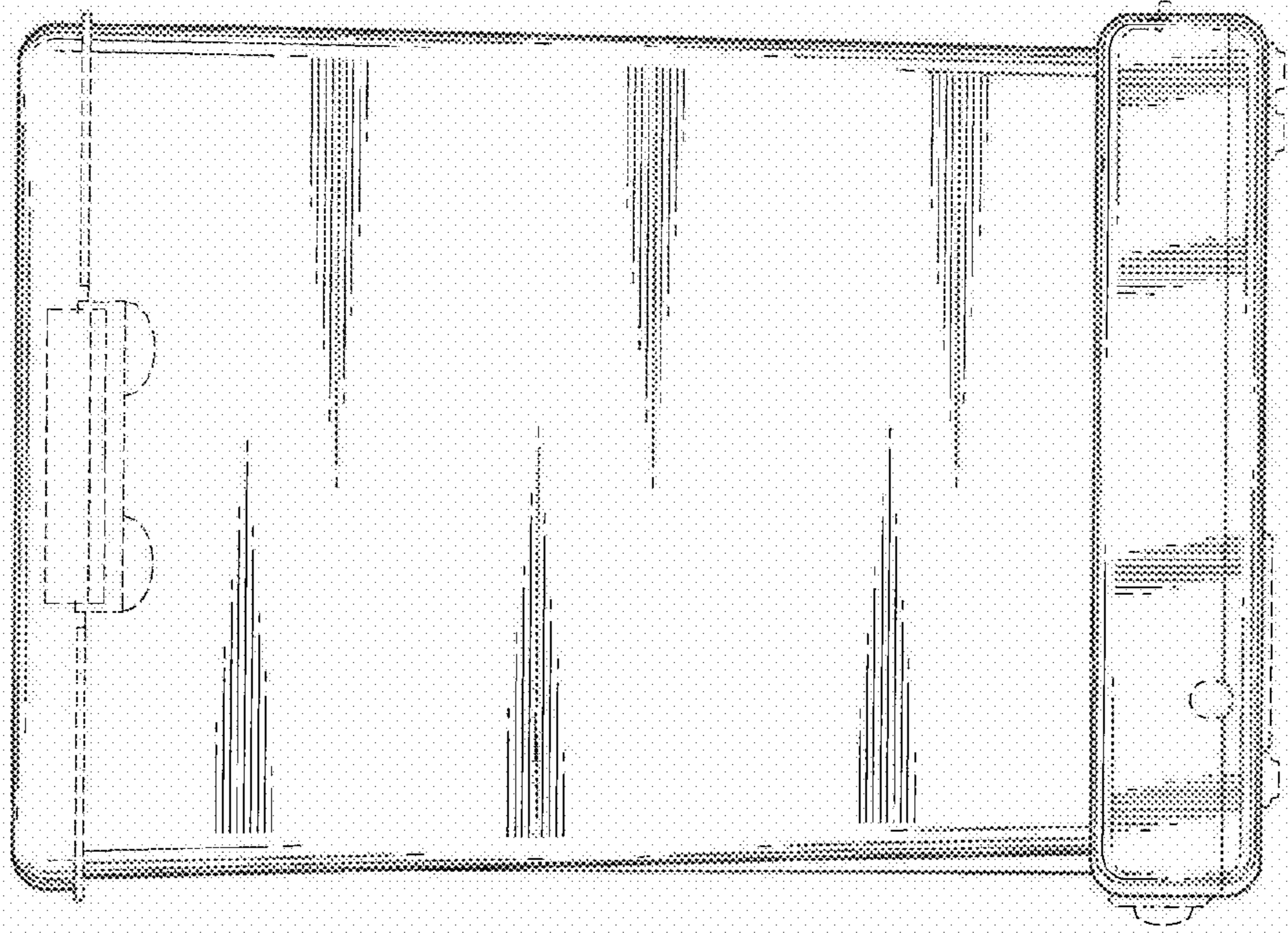


FIG. 2

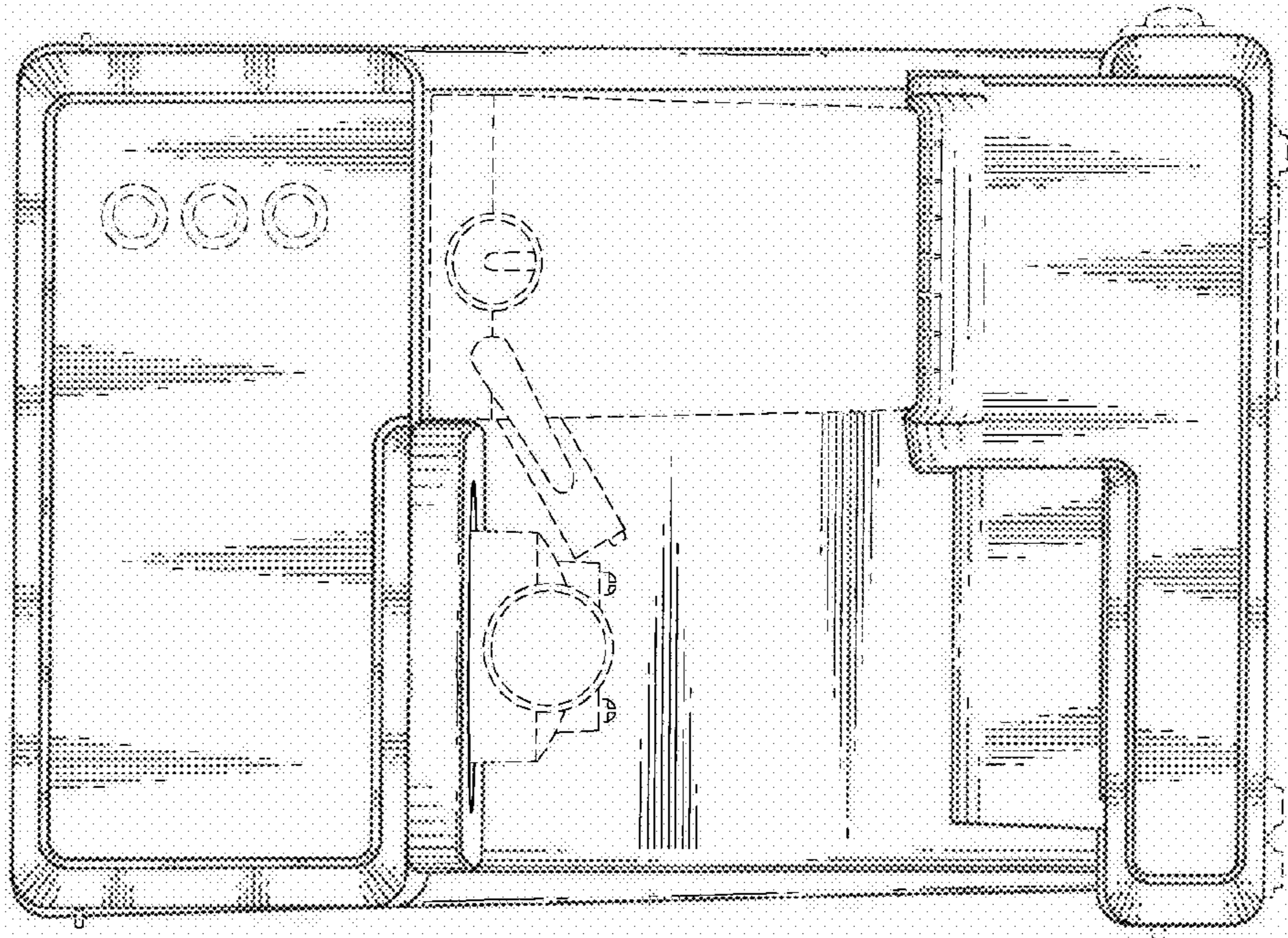


FIG. 4

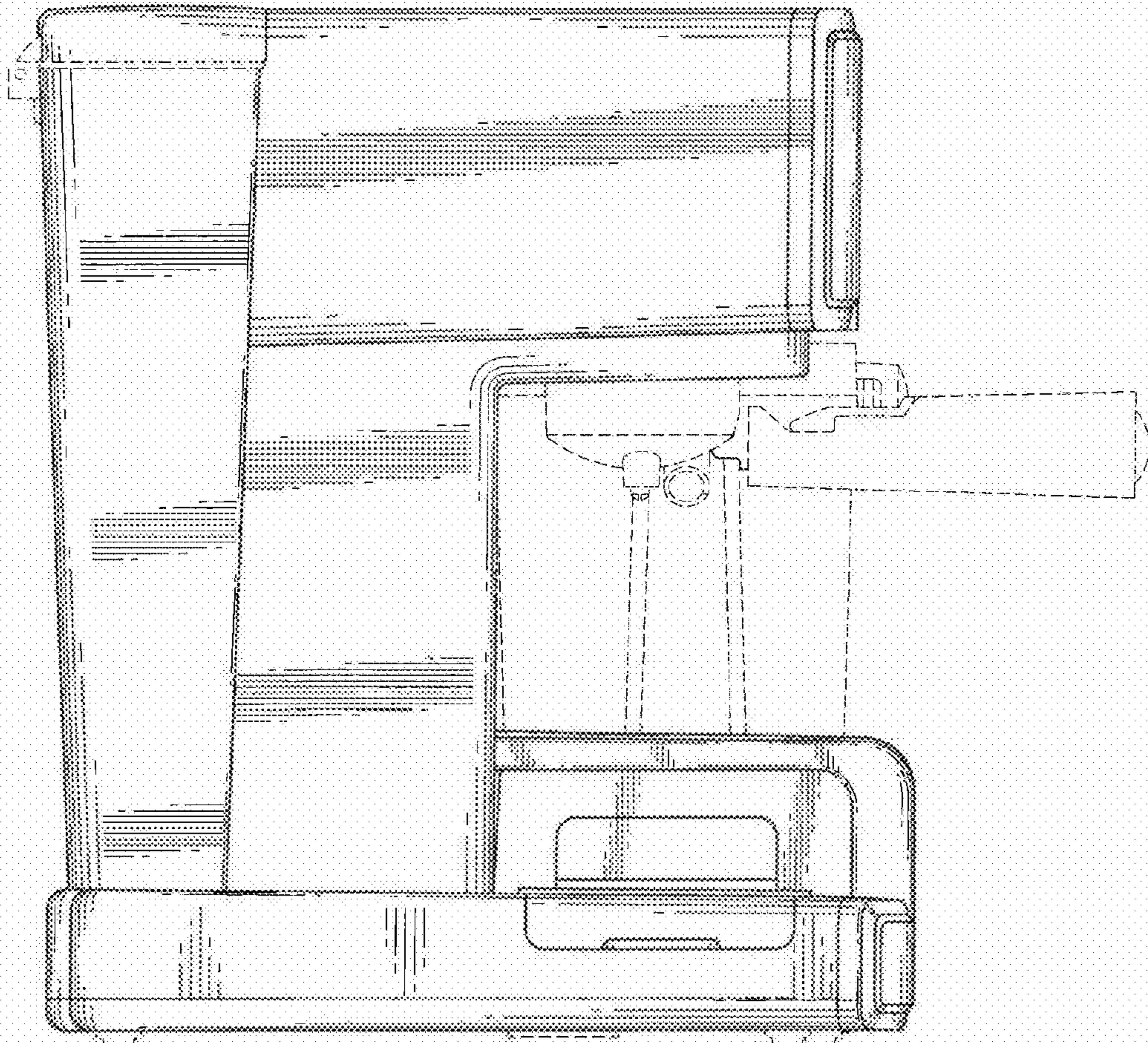


FIG. 5

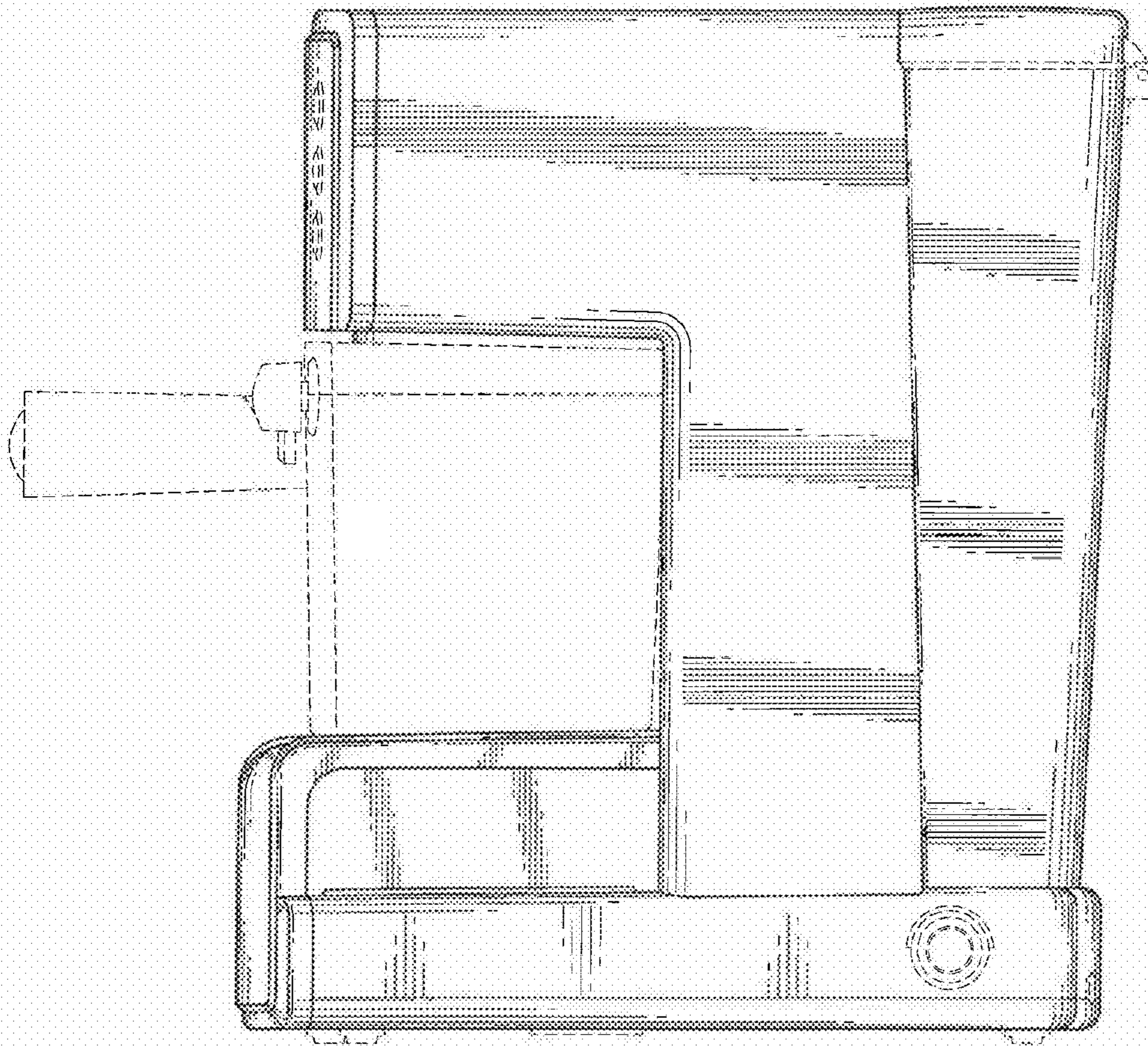


FIG. 6

