



US00D686032S

(12) **United States Design Patent**
Glass et al.

(10) **Patent No.:** **US D686,032 S**
(45) **Date of Patent:** **** Jul. 16, 2013**

(54) **CHAIR**

(71) Applicant: **Virco Mfg. Corporation**, Torrance, CA (US)

(72) Inventors: **Peter Glass**, Arroyo Grande, CA (US);
Robert Mills, Torrance, CA (US)

(73) Assignee: **Virco Mfg. Corporation**, Torrance, CA (US)

(**) Term: **14 Years**

(21) Appl. No.: **29/435,301**

(22) Filed: **Oct. 23, 2012**

(51) **LOC (9) Cl.** **06-06**

(52) **U.S. Cl.**
USPC **D6/716**

(58) **Field of Classification Search**
USPC D6/334–336, 344–353, 360–381,
D6/388, 403, 491–502, 692, 708, 716,
D6/716.2–716.4; 297/16.1, 22, 31, 35, 217.1,
297/228.12, 248, 256.16, 271.6, 284.4–284.5,
297/291, 297, 302.4, 411.2, 411.27–411.29,
297/411.43, 423.1, 423.12, 440.11, 440.15,
297/440.21–440.24, 448.1, 451.4, 452.13,
297/452.19, 452.21, 452.27, 452.29, 452.3,
297/452.41, 452.56, 452.64

See application file for complete search history.

(56) **References Cited**

U.S. PATENT DOCUMENTS

D178,880 S	10/1956	Hauser	
D192,559 S *	4/1962	Chapman	D6/375
D200,640 S	3/1965	Yamasaki	
D236,670 S *	9/1975	Uyeda	D6/375
5,123,702 A *	6/1992	Caruso	297/440.21

D333,044 S *	2/1993	Caruso	D6/373
D409,407 S *	5/1999	Wang	D6/375
D426,973 S *	6/2000	Risdall	D6/375
D427,444 S *	7/2000	Risdall	D6/375
D462,536 S *	9/2002	Levy	D6/375
D471,729 S *	3/2003	Glass et al.	D6/375
D471,730 S *	3/2003	Schloss	D6/375
D499,260 S *	12/2004	Glass et al.	D6/375
D513,910 S	1/2006	Gehry	
D522,265 S *	6/2006	Glass et al.	D6/375
D544,230 S *	6/2007	Glass et al.	D6/375
D546,574 S *	7/2007	Kaloustian	D6/374
D547,979 S *	8/2007	Glass et al.	D6/500
D547,980 S *	8/2007	Glass et al.	D6/500
D549,018 S *	8/2007	Glass et al.	D6/500
D555,379 S *	11/2007	Ziliani	D6/375
D564,768 S *	3/2008	Glass et al.	D6/366

(Continued)

OTHER PUBLICATIONS

<http://store.hermanmiller.com/Products/Chair-First-Set-of-4> (2 pages) (publication date unknown).

Primary Examiner — Ricky Pham

(74) *Attorney, Agent, or Firm* — Sheldon Mak & Anderson PC; Denton L. Anderson; Robert Hupe

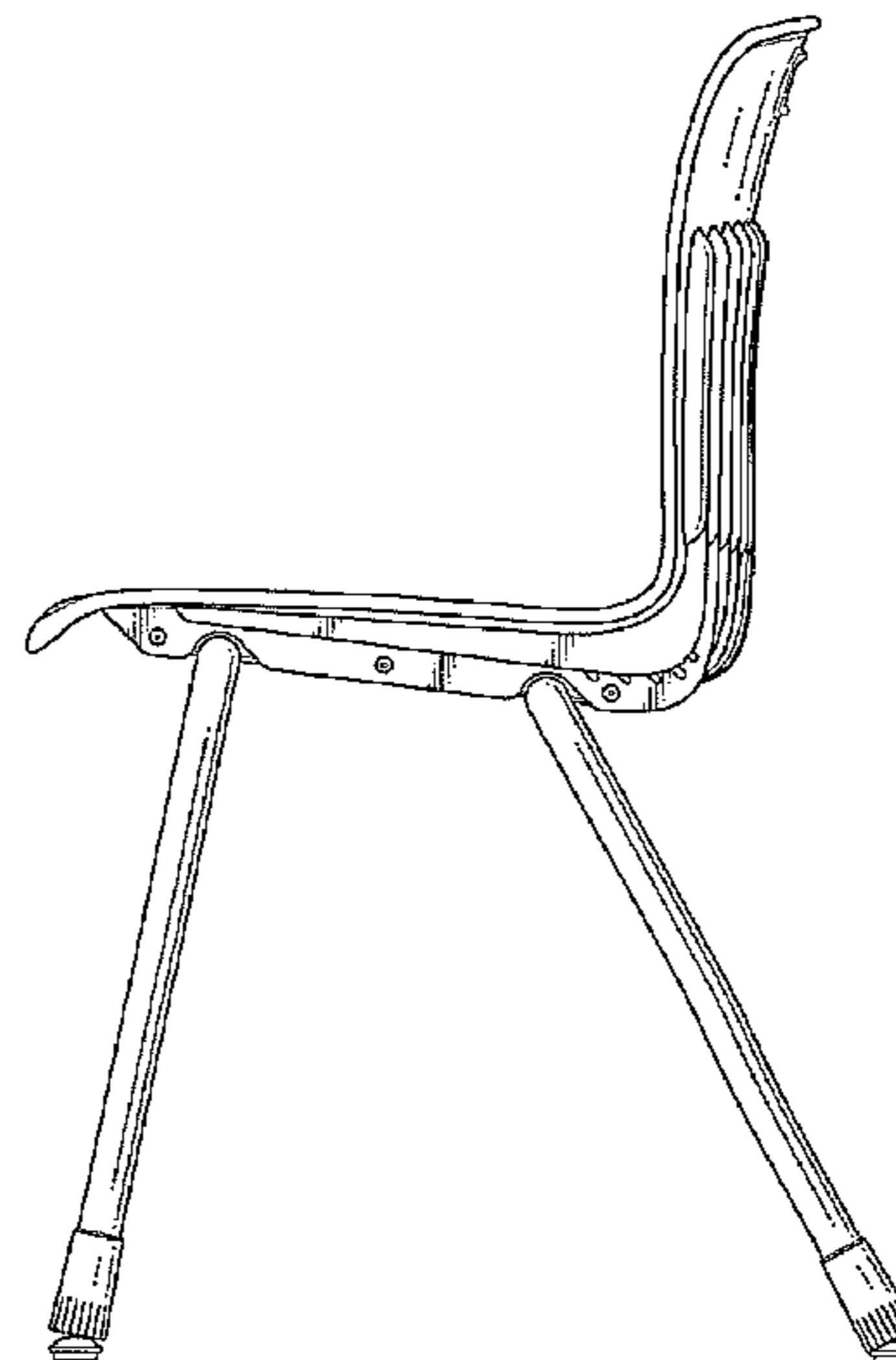
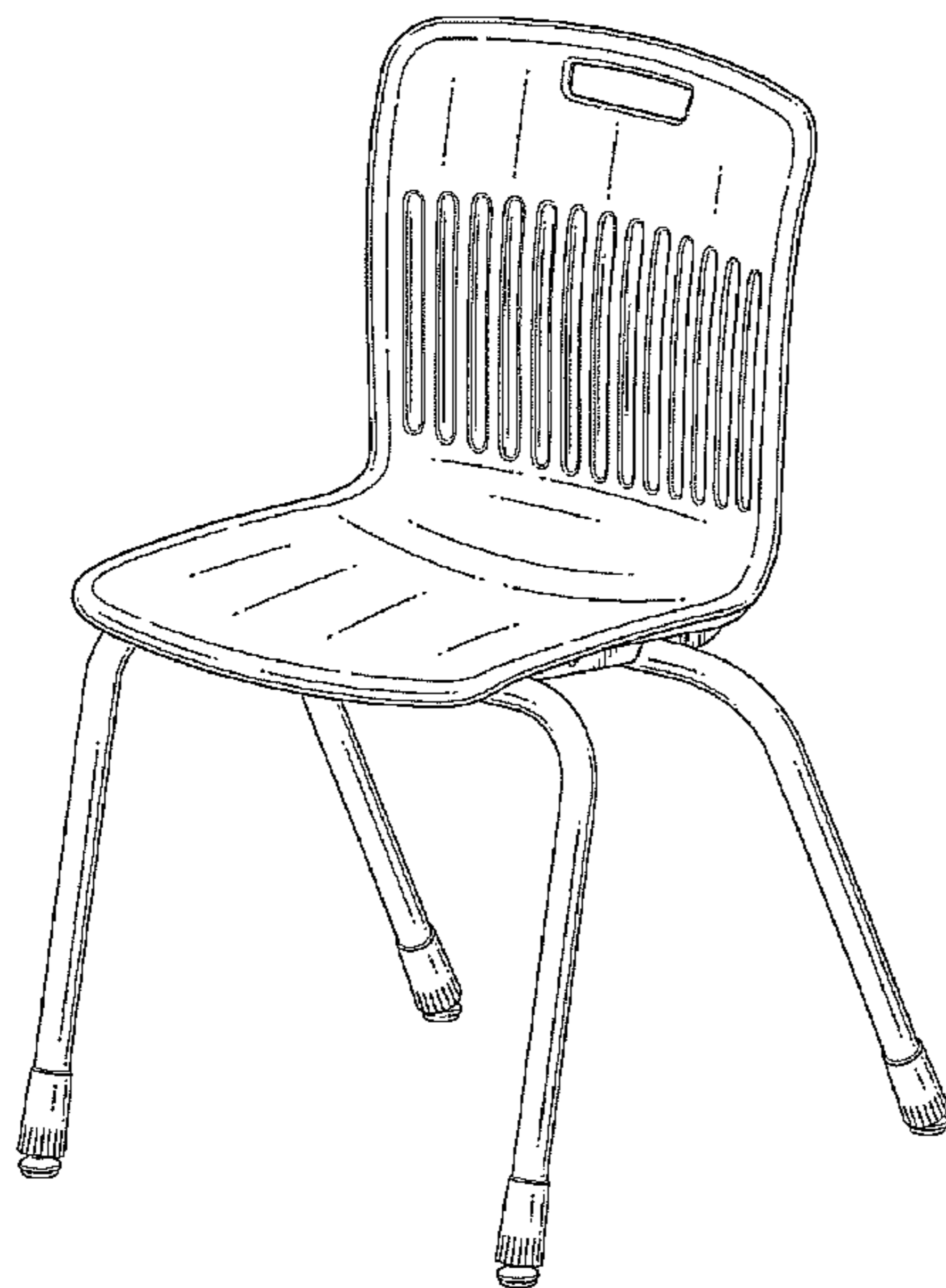
(57) **CLAIM**

The ornamental design for a chair, as shown and described.

DESCRIPTION

FIG. 1 is a perspective view showing our new design; FIG. 2 is a front view of the chair illustrated in FIG. 1; FIG. 3 is a first side view of the chair illustrated in FIG. 1, the opposite side view being a mirror image of the first side view; FIG. 4 is a top view of the chair illustrated in FIG. 1; FIG. 5 is a bottom view of the chair illustrated in FIG. 1; and, FIG. 6 is a rear view of the chair illustrated in FIG. 1.

1 Claim, 4 Drawing Sheets



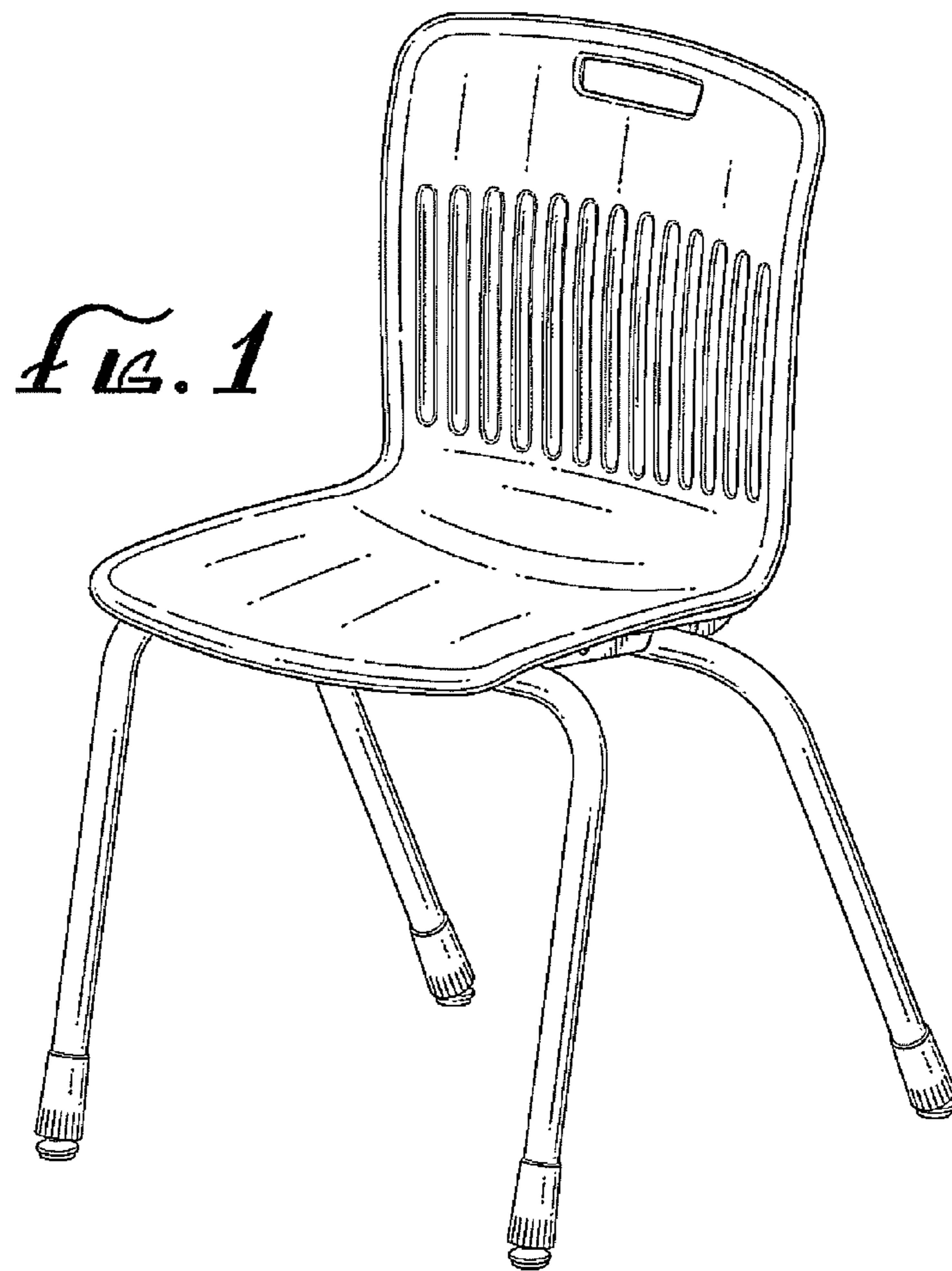
US D686,032 S

Page 2

U.S. PATENT DOCUMENTS

D566,979 S *	4/2008	Cox et al.	D6/375	D669,701 S *	10/2012	Starck	D6/375
D637,839 S *	5/2011	Piretti	D6/500	D670,099 S *	11/2012	Olivares	D6/375
D649,804 S *	12/2011	Keller et al.	D6/376	2005/0012371 A1*	1/2005	Mendenhall et al.	297/248
D665,593 S *	8/2012	Morrison	D6/375				

* cited by examiner



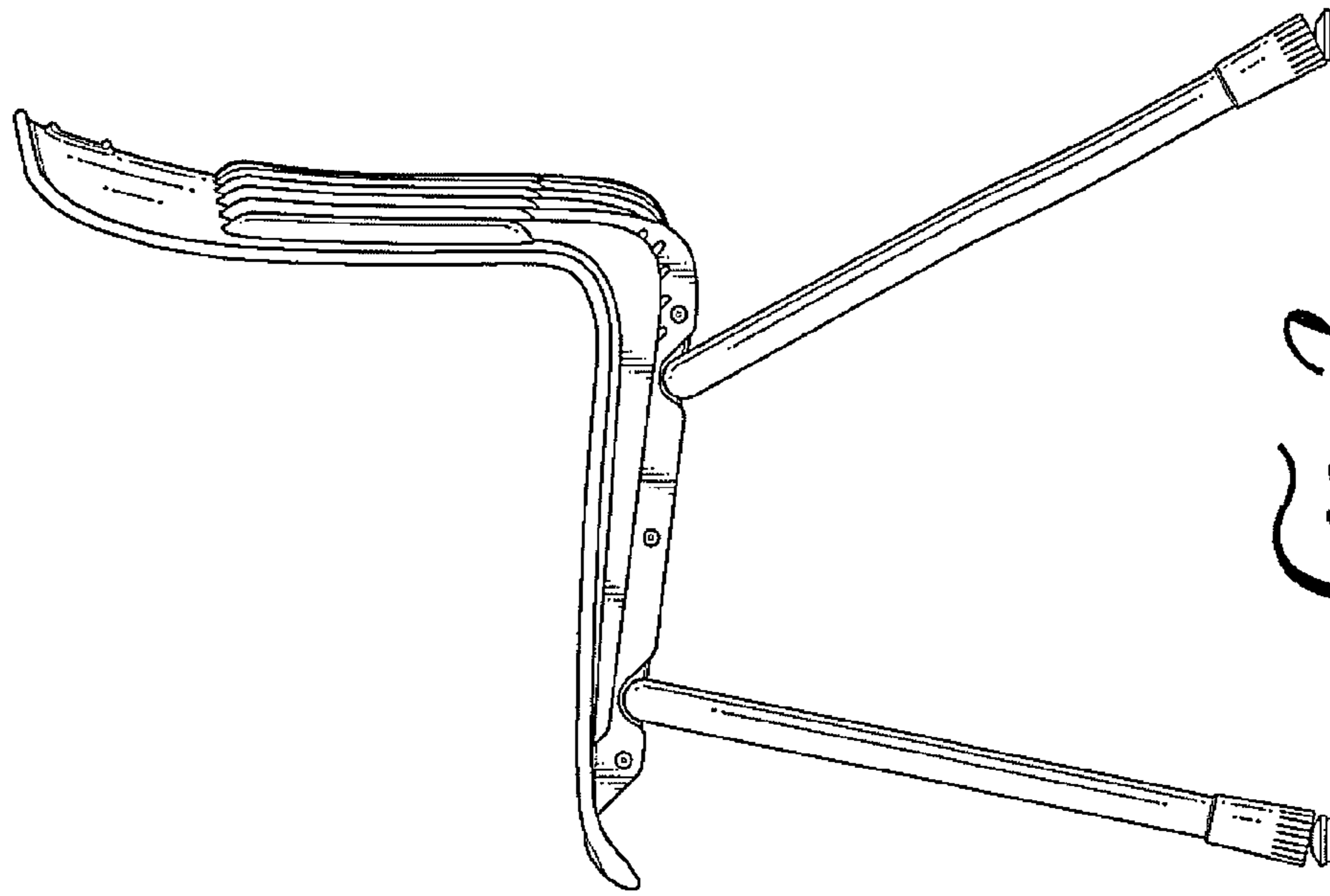


FIG. 3

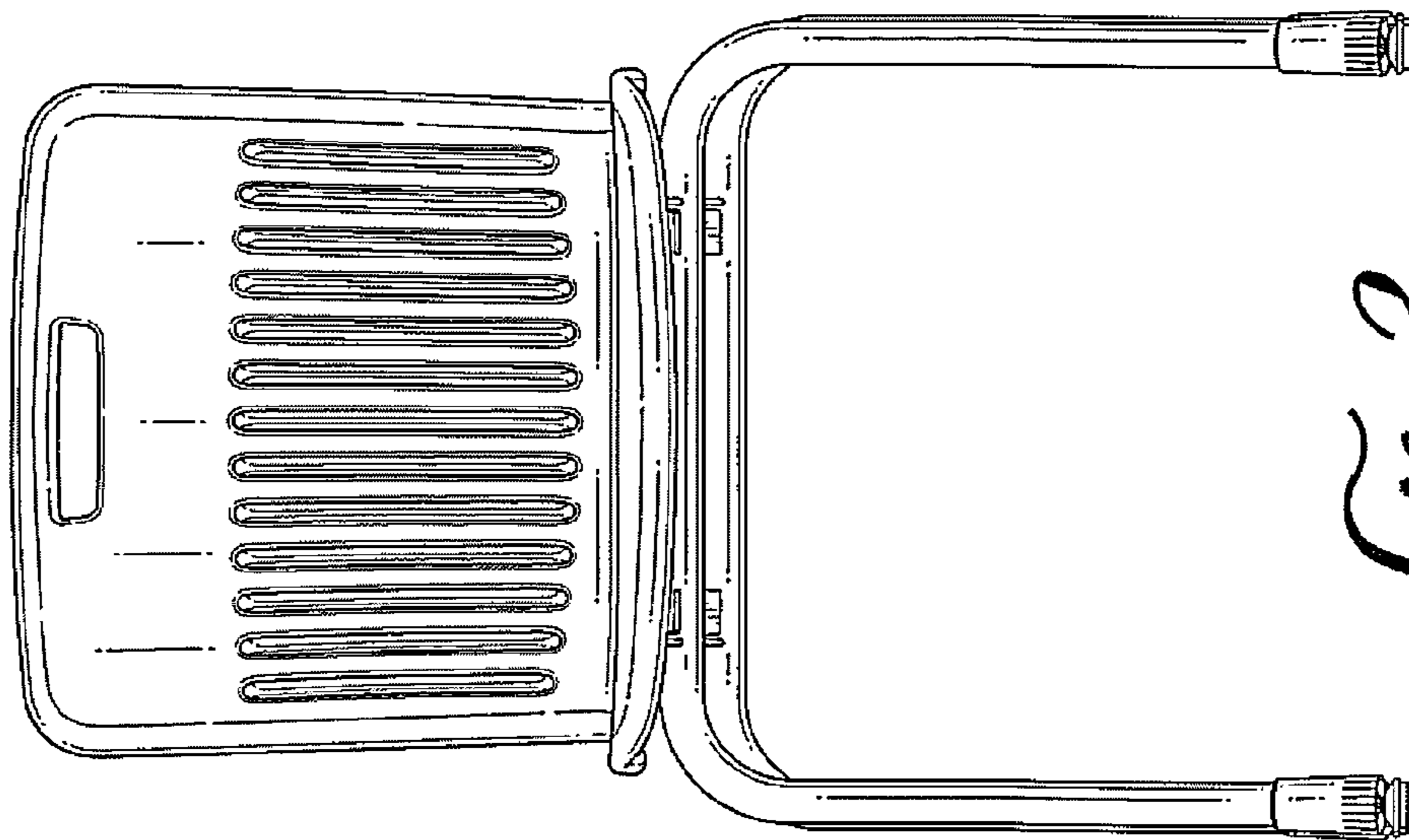


FIG. 2

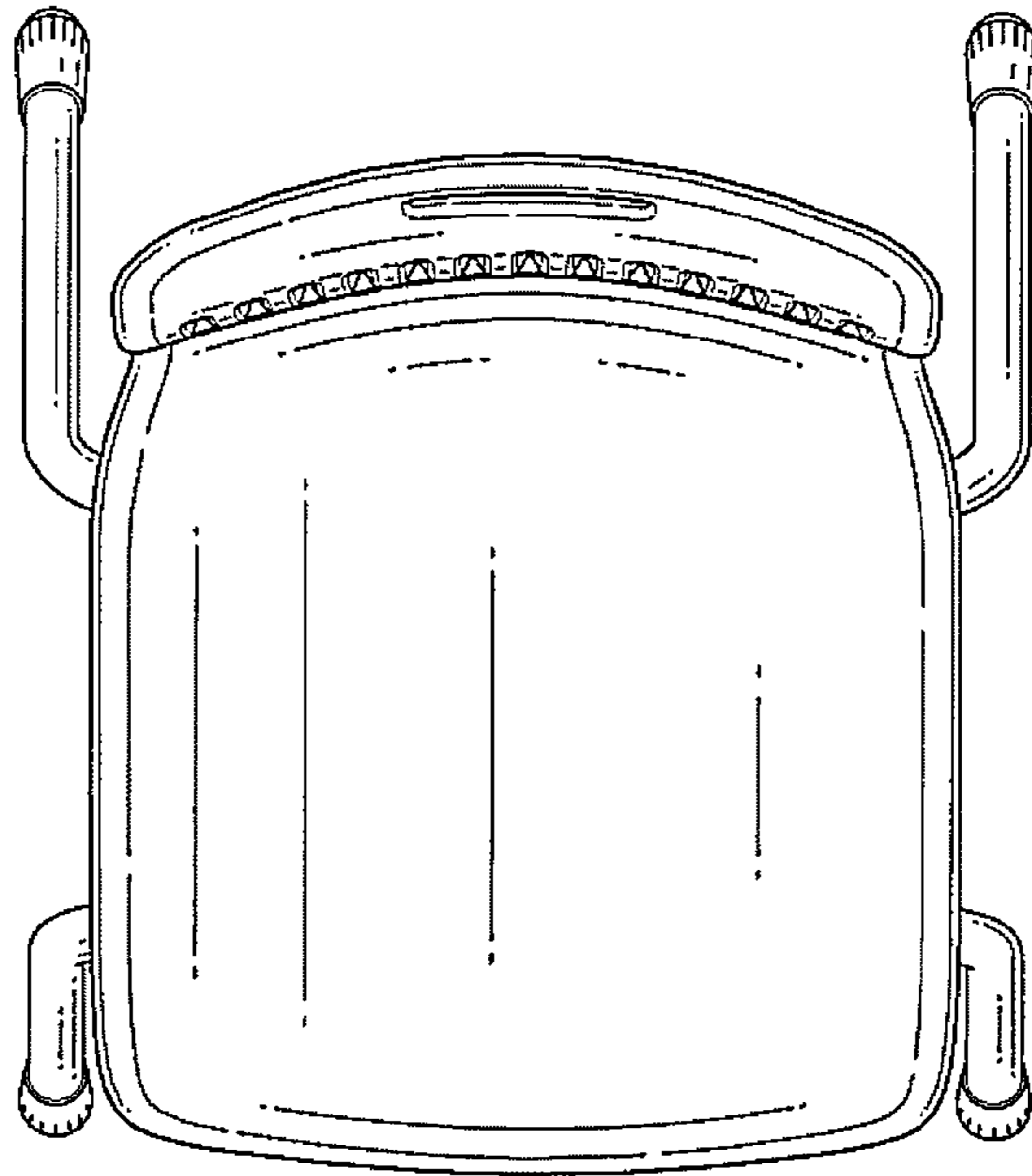


FIG. 4

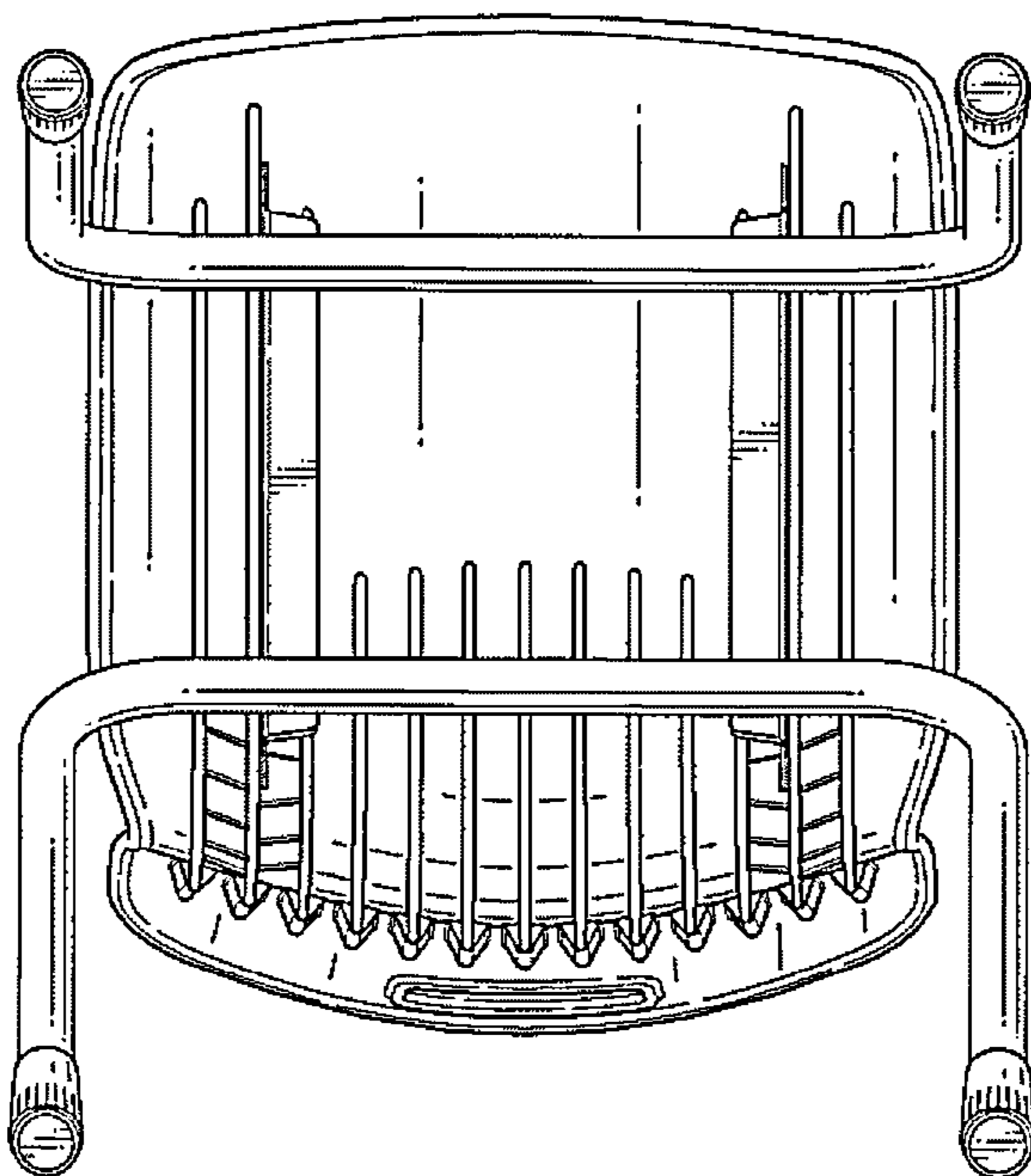


FIG. 5

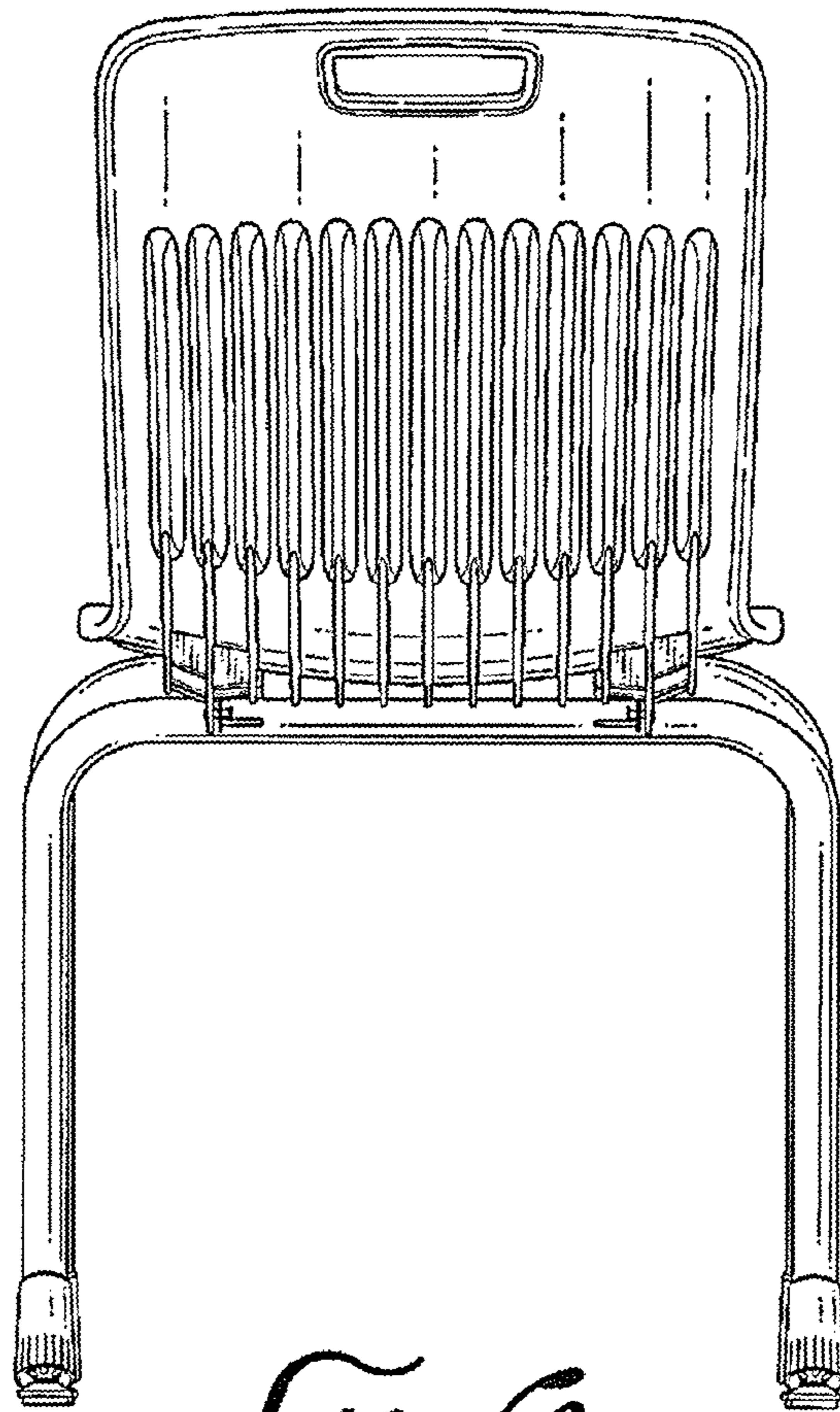


FIG. 6