



US00D686029S

(12) **United States Design Patent**
Parker et al.

(10) **Patent No.:** **US D686,029 S**
(45) **Date of Patent:** **** Jul. 16, 2013**

(54) **FISHING ROD RACK**
(71) Applicants: **Richard Parker**, Fayetteville, AR (US);
Philip Hicky, Fayetteville, AR (US)
(72) Inventors: **Richard Parker**, Fayetteville, AR (US);
Philip Hicky, Fayetteville, AR (US)

D622,082 S * 8/2010 Booth D6/449
D636,038 S * 4/2011 Henniger D21/691
7,937,883 B2 * 5/2011 Roemer et al. 43/21.2
D654,292 S * 2/2012 Snider D6/510
D657,979 S * 4/2012 Sokol et al. D6/479
D660,749 S * 5/2012 Strayer D12/115
D677,092 S * 3/2013 Kozak et al. D6/566
D677,530 S * 3/2013 Goodman et al. D7/600.4

(**) Term: **14 Years**

* cited by examiner

(21) Appl. No.: **29/444,882**

Primary Examiner — Kelley Donnelly

(22) Filed: **Feb. 5, 2013**

(74) *Attorney, Agent, or Firm* — Keisling & Pieper PLC;
David B. Pieper

(51) **LOC (9) Cl.** **06-06**

(57) **CLAIM**

(52) **U.S. Cl.**
USPC **D6/682.4**

The ornamental design for a fishing rod rack, as shown and described.

(58) **Field of Classification Search**
USPC D6/552–553, 566–567, 569–571,
D6/672–673, 675–675.1, 682.4; D22/147–148,
D22/134; 211/134, 181.1, 88, 90, 126.1,
211/10, 13.1, 17.01, 74–75, 85.4, 86–87
See application file for complete search history.

DESCRIPTION

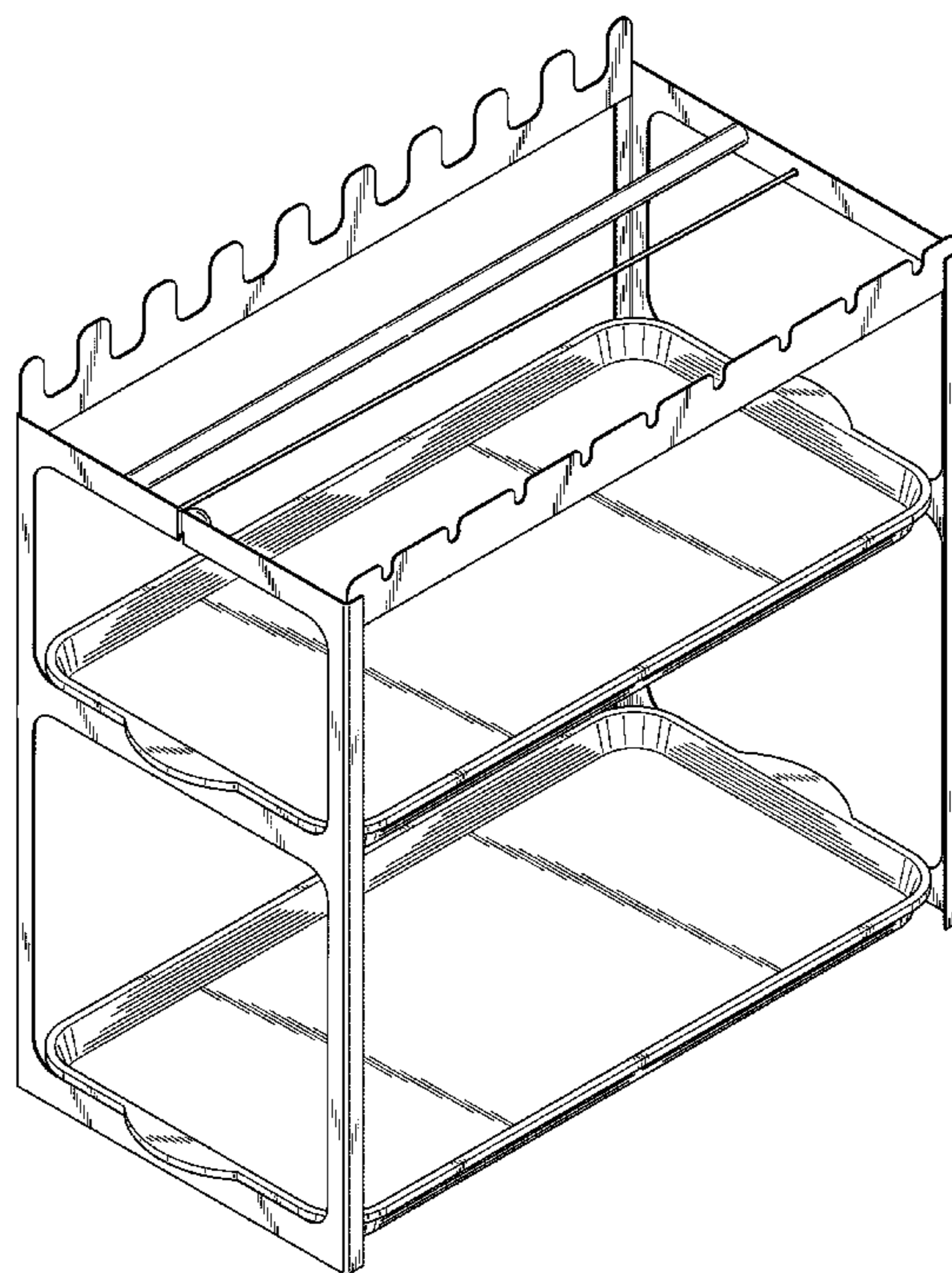
FIG. 1 is a front perspective view of a fishing rod rack showing our new design with the trays installed;
FIG. 2 is front view thereof;
FIG. 3 is a back view thereof;
FIG. 4 is a left side view thereof;
FIG. 5 is a right side view thereof;
FIG. 6 is a top view thereof;
FIG. 7 is a bottom view thereof;
FIG. 8 is a front left perspective view of the fishing rod rack showing features of the cross rod detail for the upper tray location visible when the trays are removed; and,
FIG. 9 is a front right perspective view of the fishing rod rack showing features of the cross rod detail for the upper tray location visible when the trays are removed.

(56) **References Cited**

U.S. PATENT DOCUMENTS

3,537,595 A * 11/1970 Mathisen 211/70.8
D300,283 S * 3/1989 Duckro et al. D3/259
D303,600 S * 9/1989 Thompson et al. D6/552
5,294,163 A * 3/1994 Lang 294/161
5,588,542 A * 12/1996 Winkler et al. 211/70.8
5,657,883 A * 8/1997 Badia 211/70.8
5,913,673 A * 6/1999 Womac 43/54.1
D428,533 S * 7/2000 Carroll D28/73
D446,280 S * 8/2001 Marriott D22/147
D530,053 S * 10/2006 Bothun et al. D34/17

1 Claim, 8 Drawing Sheets



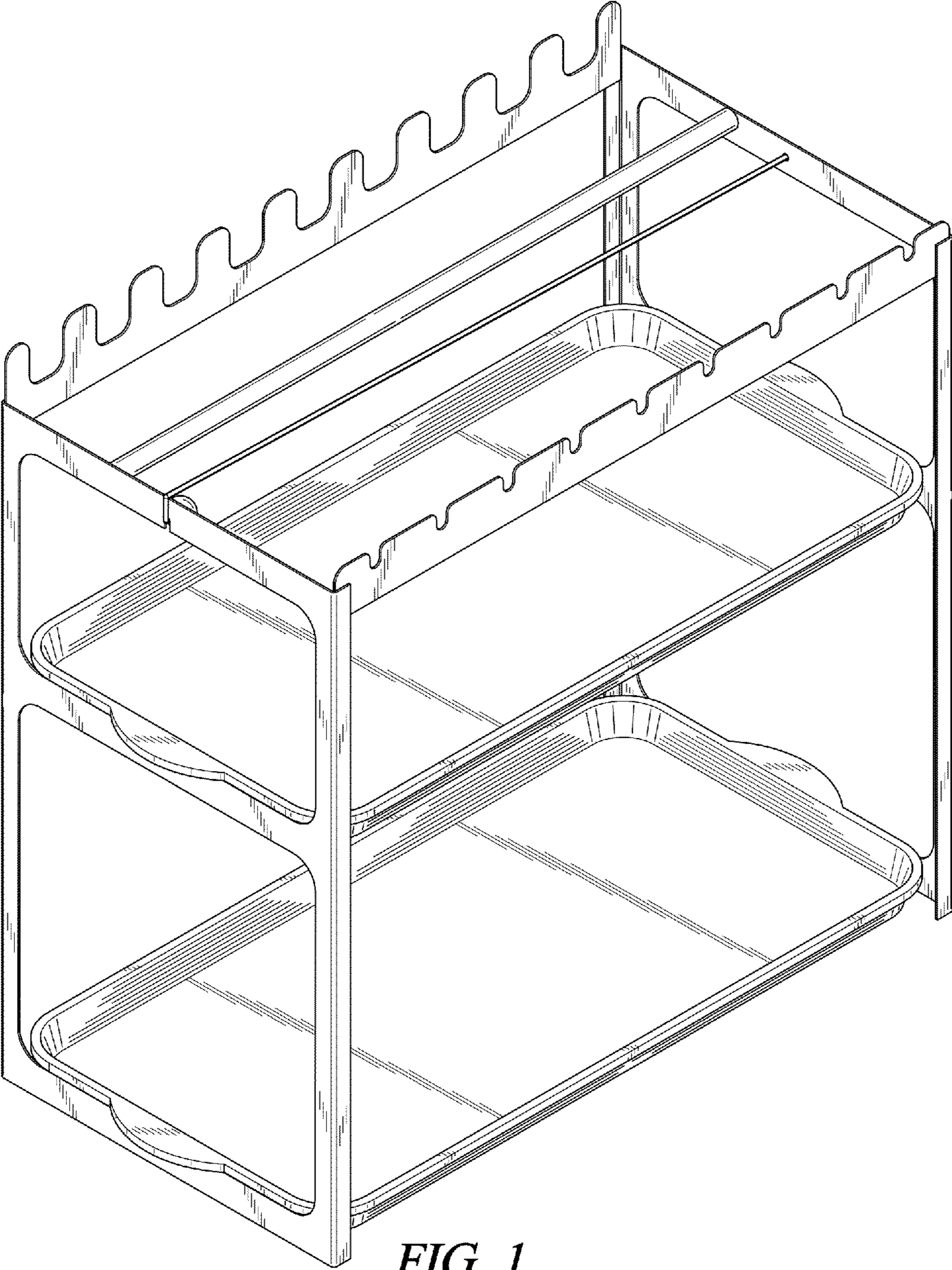


FIG. 1

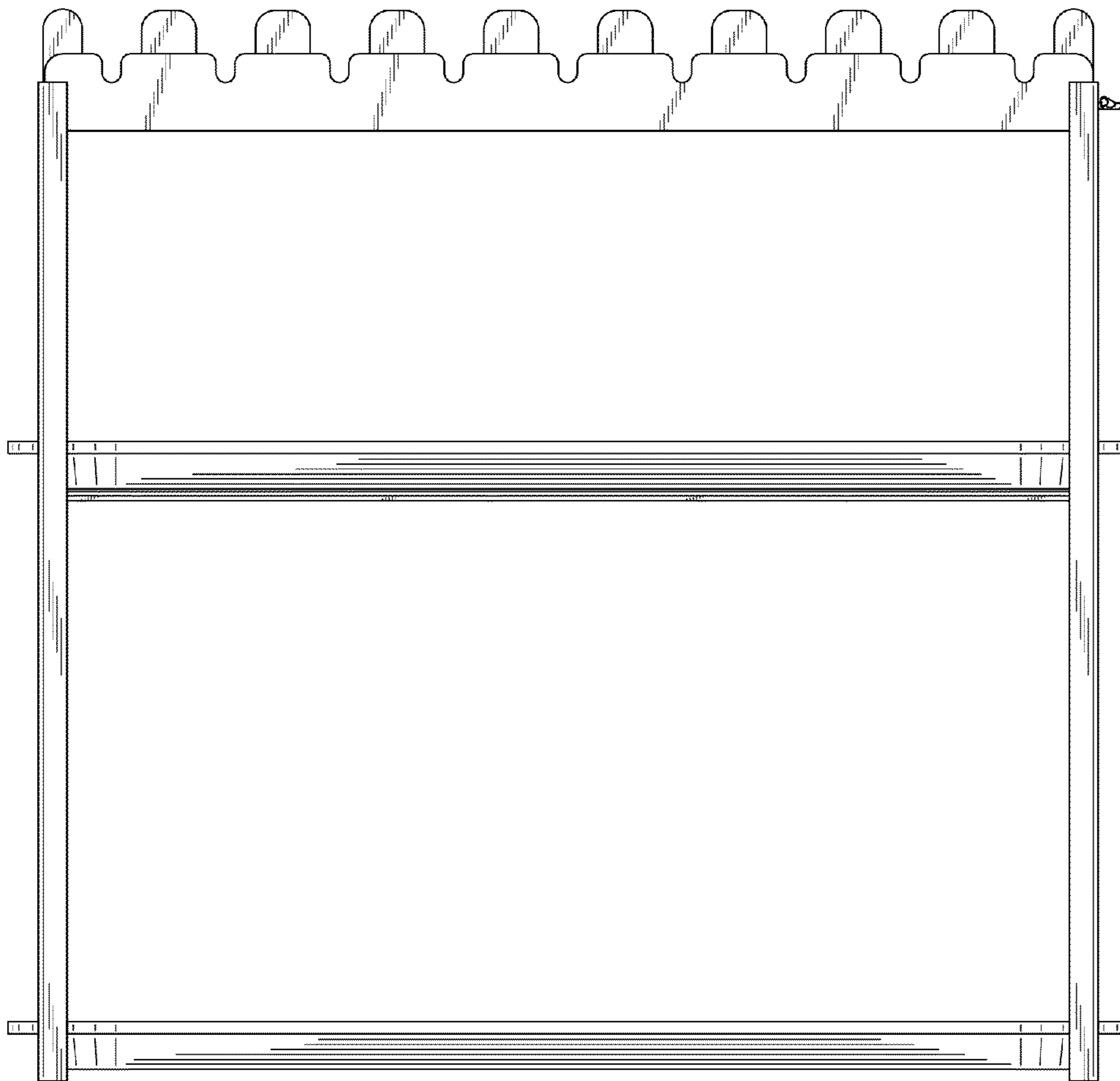


FIG. 2

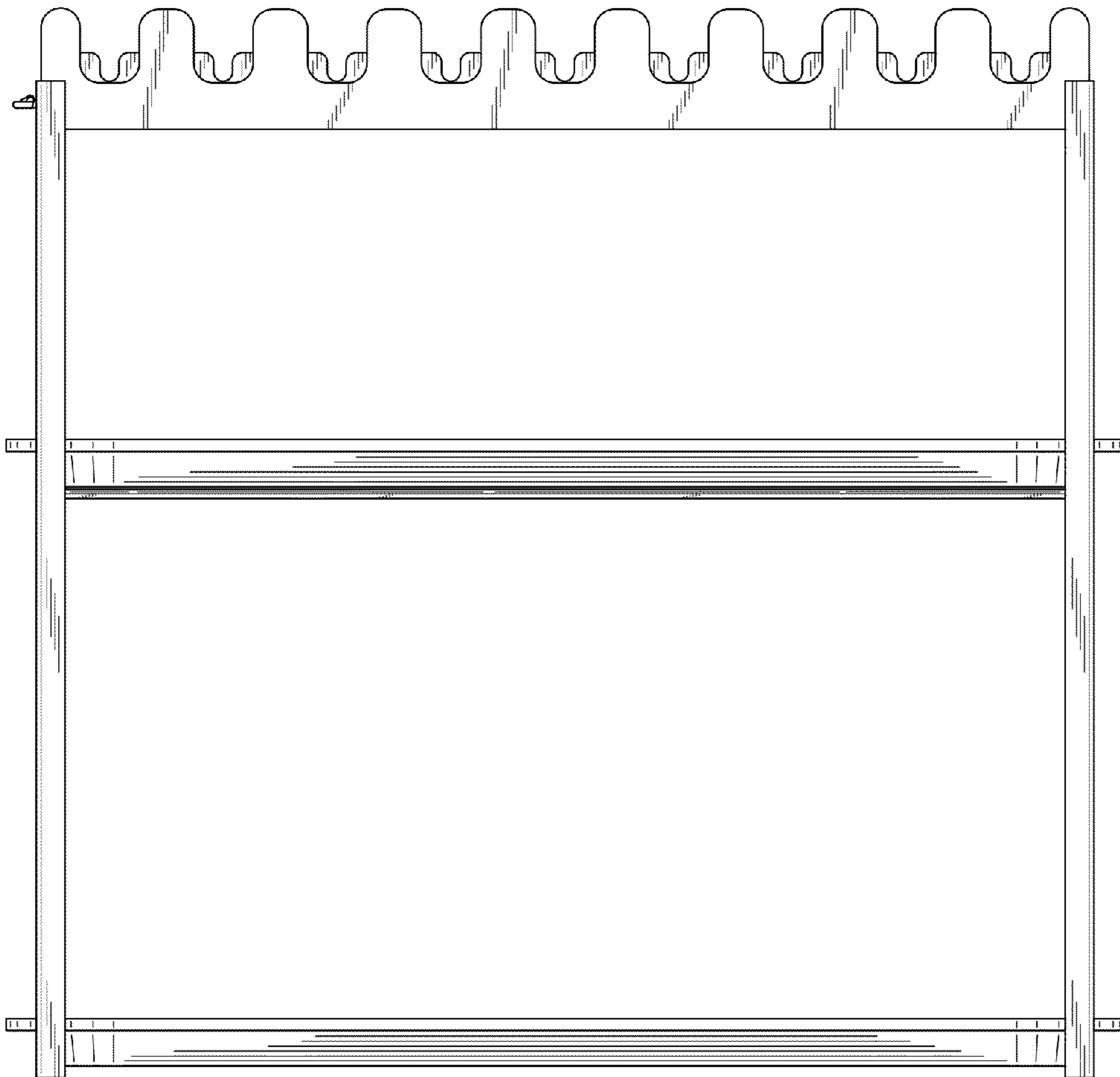


FIG. 3

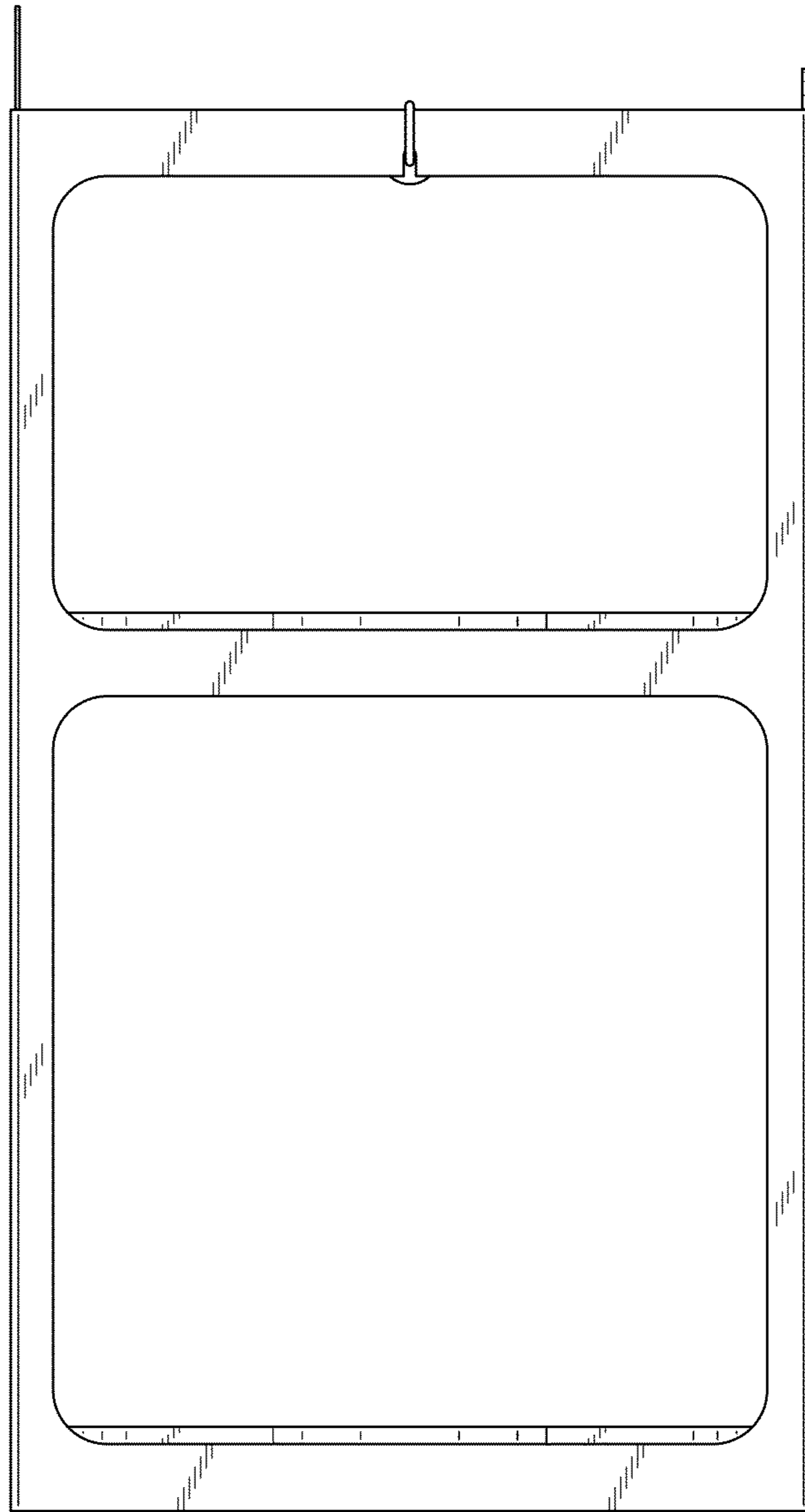


FIG. 4

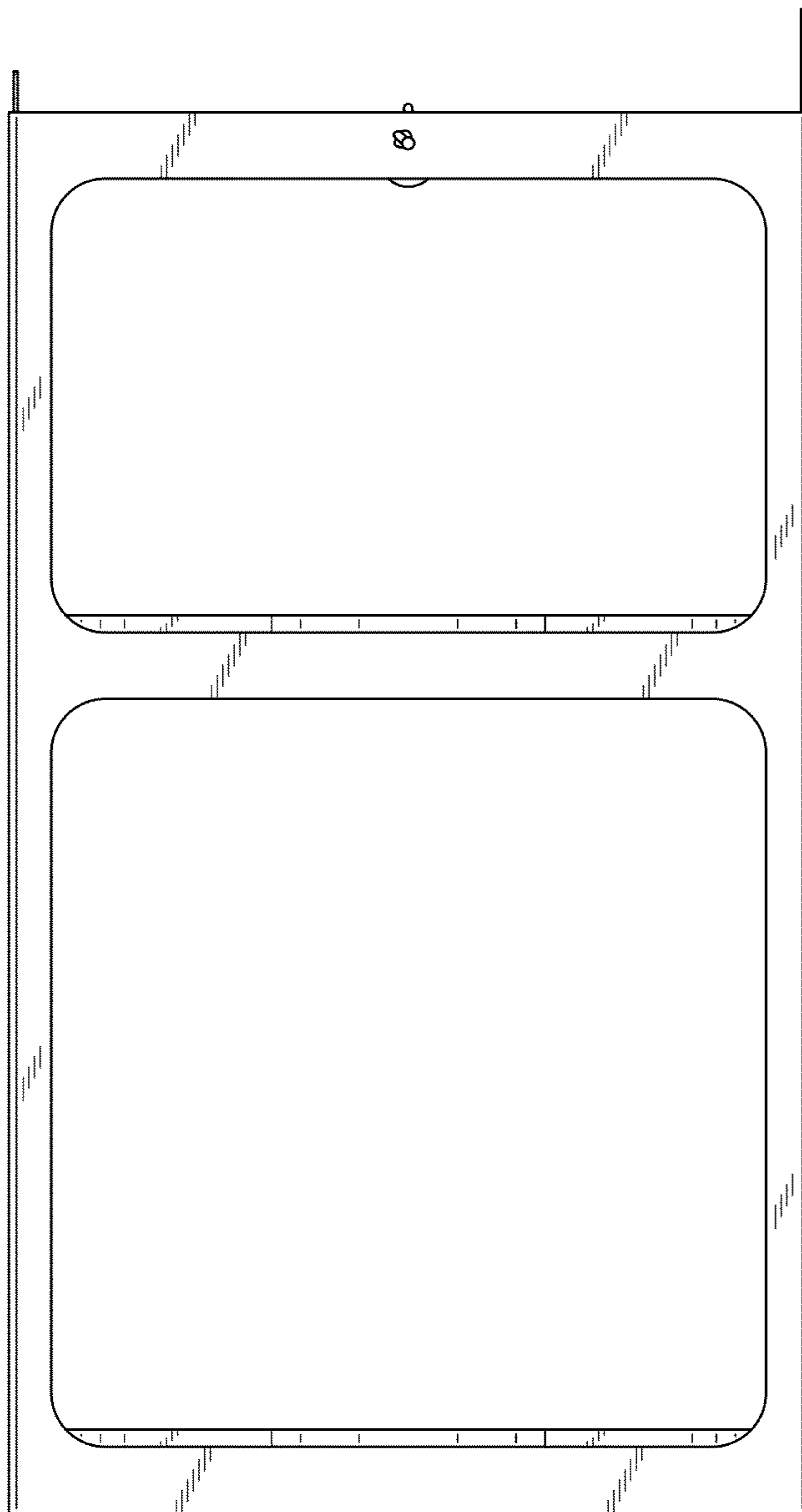


FIG. 5

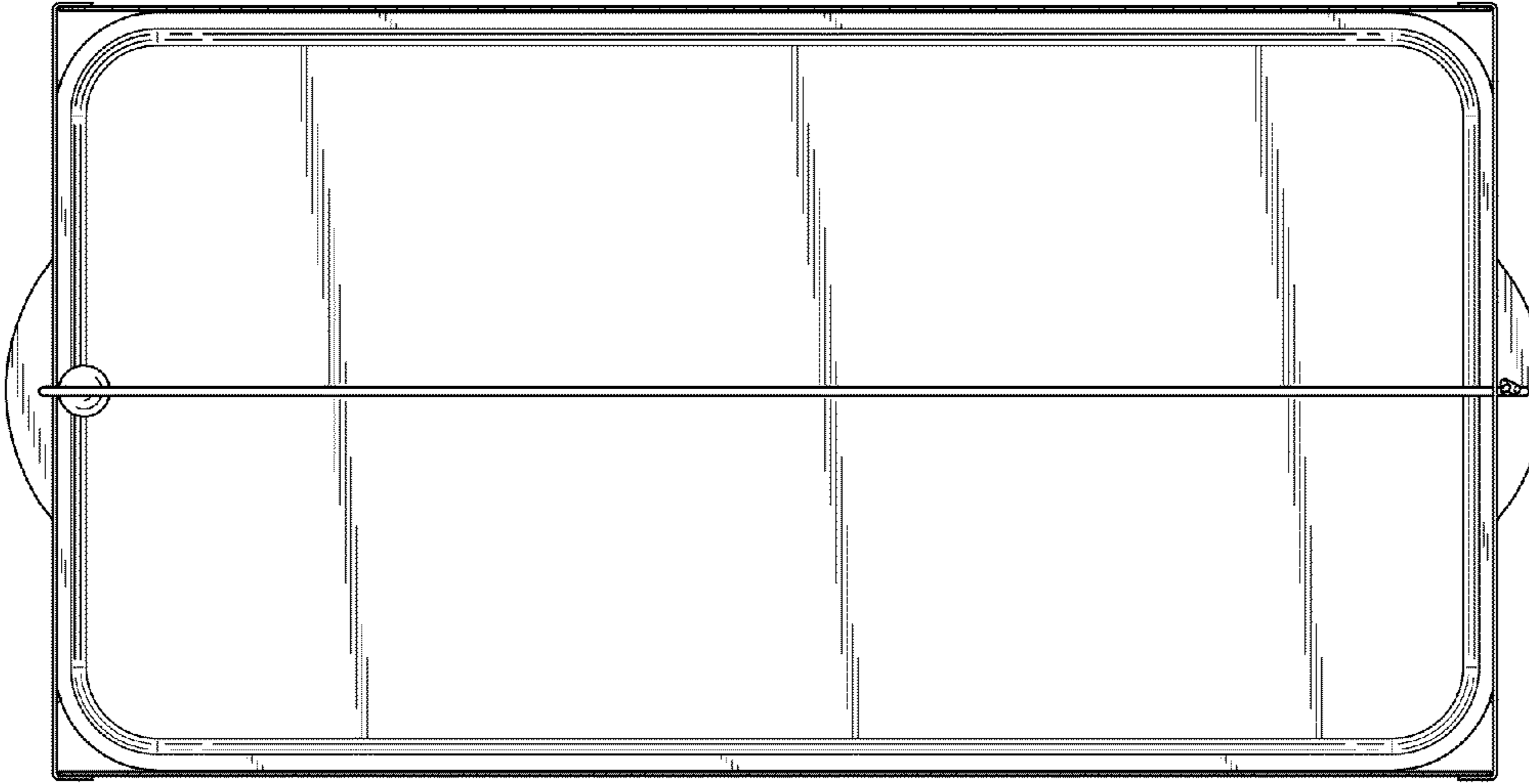


FIG. 6

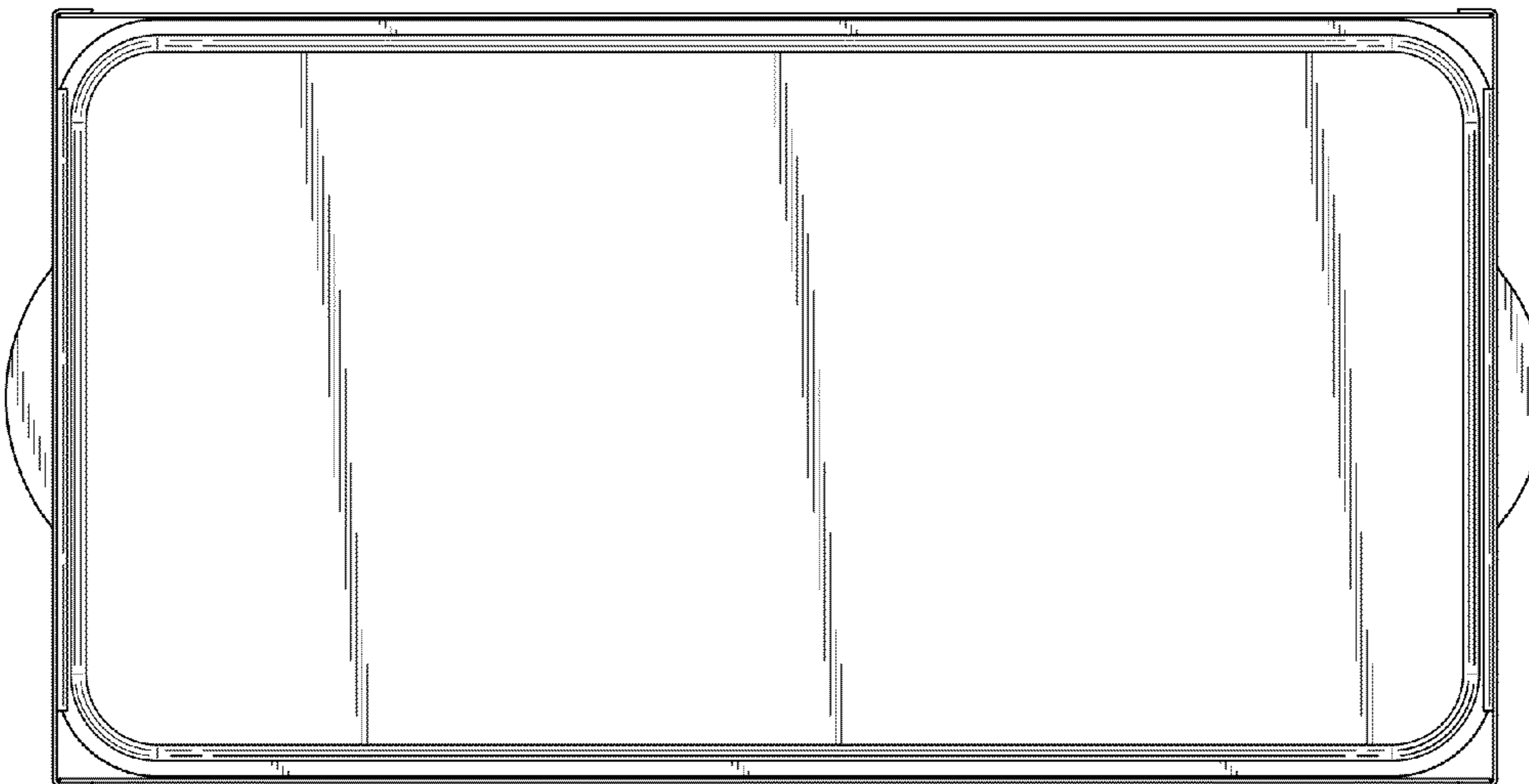


FIG. 7

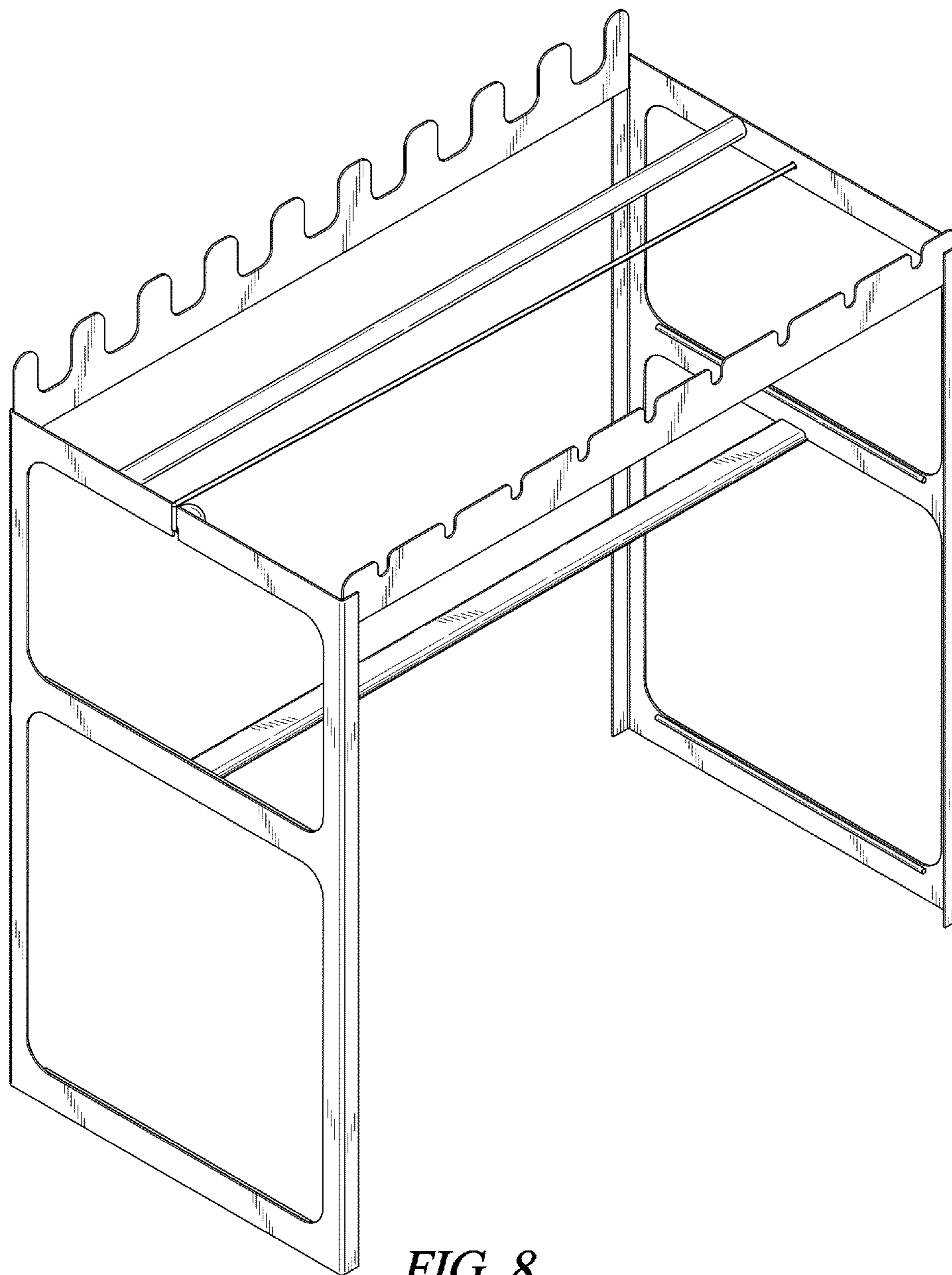


FIG. 8

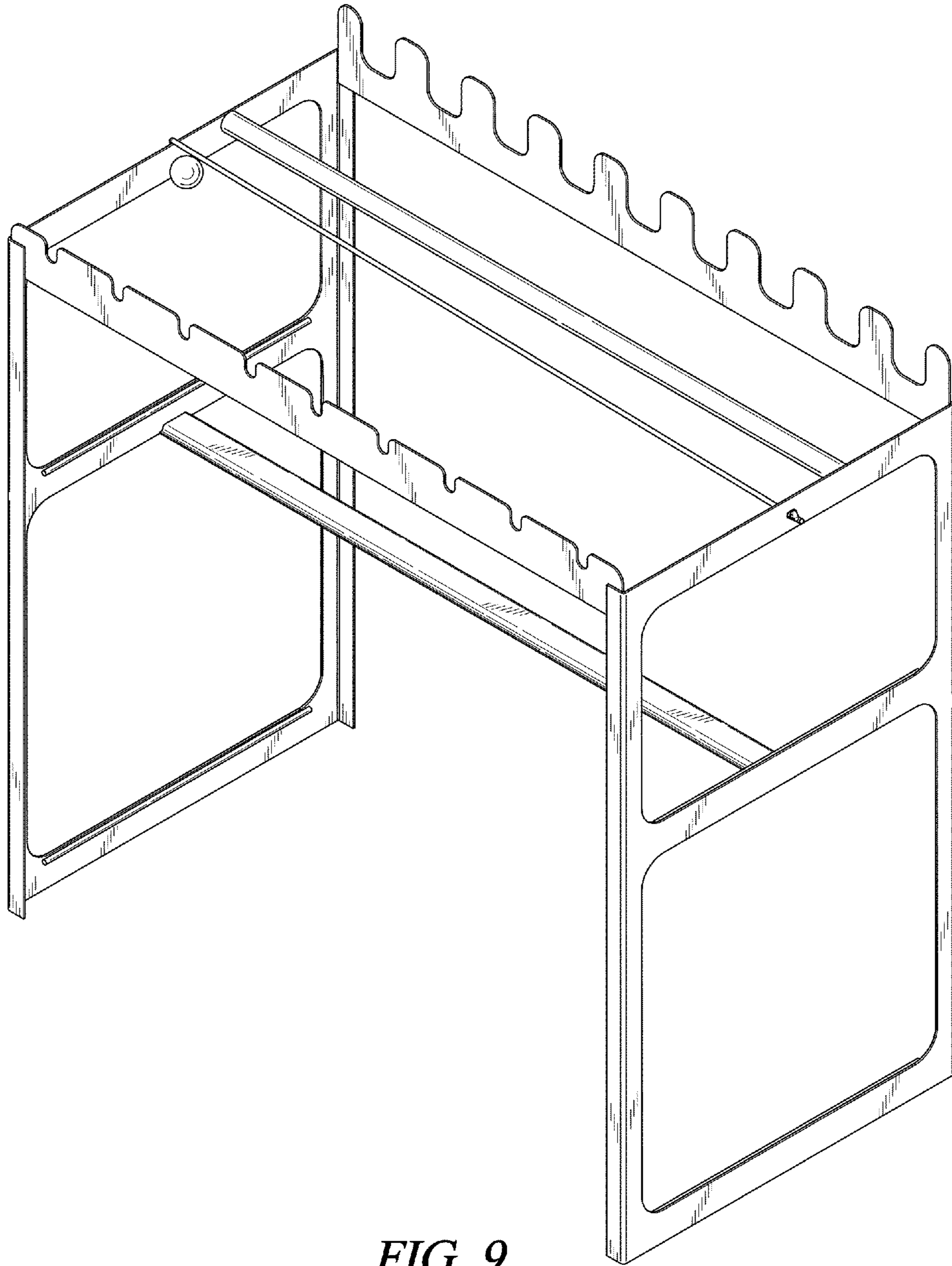


FIG. 9