



US00D686025S

(12) **United States Design Patent**
Blazure

(10) **Patent No.:** **US D686,025 S**

(45) **Date of Patent:** **** Jul. 16, 2013**

(54) **TRAVEL PILLOW**

(76) Inventor: **Drew Blazure**, Clinton, NJ (US)

(**) Term: **14 Years**

(21) Appl. No.: **29/420,397**

(22) Filed: **May 8, 2012**

(51) **LOC (9) Cl.** **06-09**

(52) **U.S. Cl.**

USPC **D6/601; D6/716.5**

(58) **Field of Classification Search**

USPC D6/595-597, 601, 604; 5/630, 633,
5/636-639, 644, 652, 652.1, 653, 654, 655.3,
5/655.6, 655.9, 656; 297/220, 397

See application file for complete search history.

(56) **References Cited**

U.S. PATENT DOCUMENTS

3,084,978	A *	4/1963	Johansson	297/397
4,471,993	A	9/1984	Watson		
5,015,036	A *	5/1991	Fergie	297/397
D338,587	S	8/1993	Harnish		
D341,509	S *	11/1993	Evans	D6/502

5,345,633	A *	9/1994	Harnish	5/639
5,503,456	A	4/1996	Rossini		
D406,486	S *	3/1999	Ogilvie	D6/596
D428,295	S	7/2000	Frye		
D445,506	S	7/2001	Vinson et al.		
6,748,615	B1	6/2004	Tiedemann		
6,942,297	B2	9/2005	Johnson		
D607,681	S *	1/2010	Hughes	D6/601
2008/0036253	A1 *	2/2008	Lee	297/220

* cited by examiner

Primary Examiner — Janice Seeger

(57) **CLAIM**

The ornamental design for a travel pillow, as shown and described.

DESCRIPTION

FIG. 1 is a front elevated view of a travel pillow showing my new design;

FIG. 2 is a rear elevated view of the travel pillow;

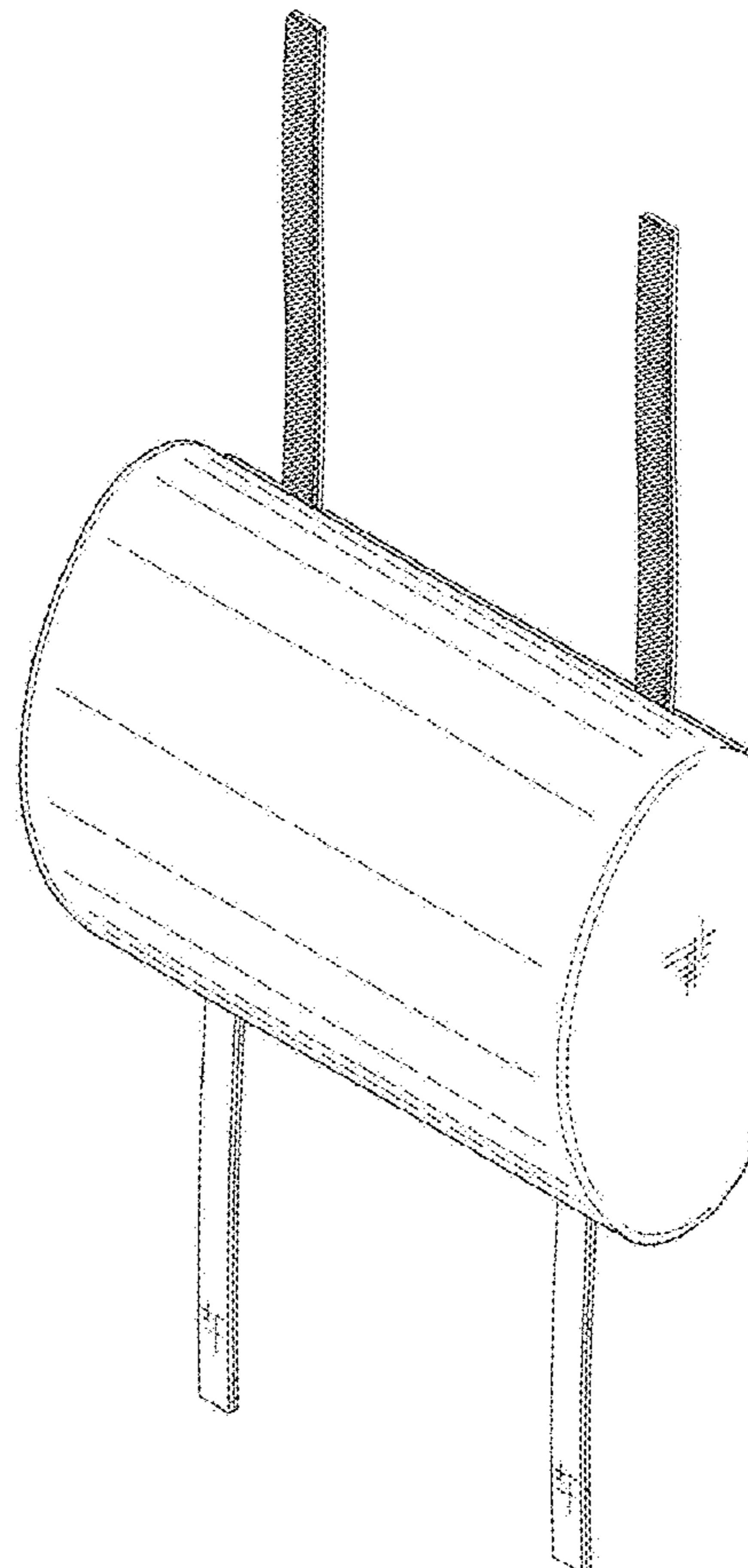
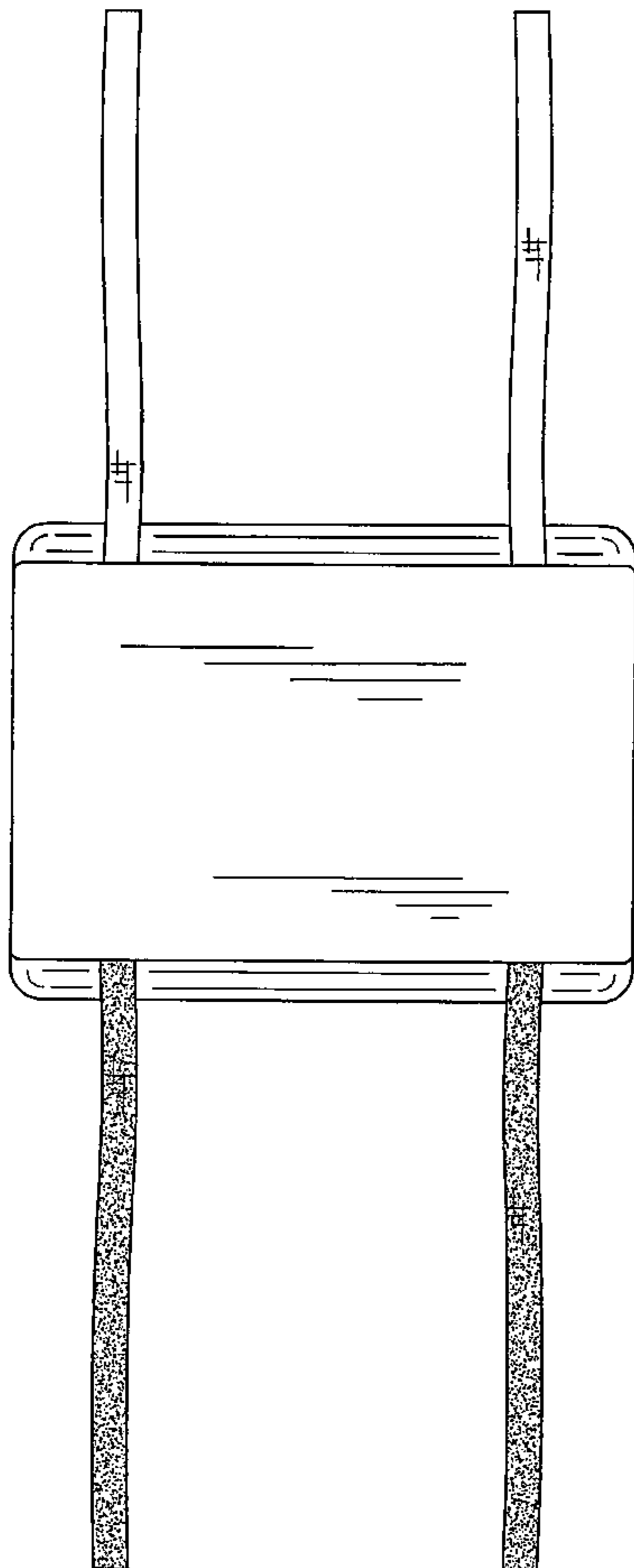
FIG. 3 is a side elevated view of the travel pillow;

FIG. 4 is a top plan view of the travel pillow;

FIG. 5 is a bottom plan view of the travel pillow; and,

FIG. 6 is a front perspective view of the travel pillow.

1 Claim, 5 Drawing Sheets



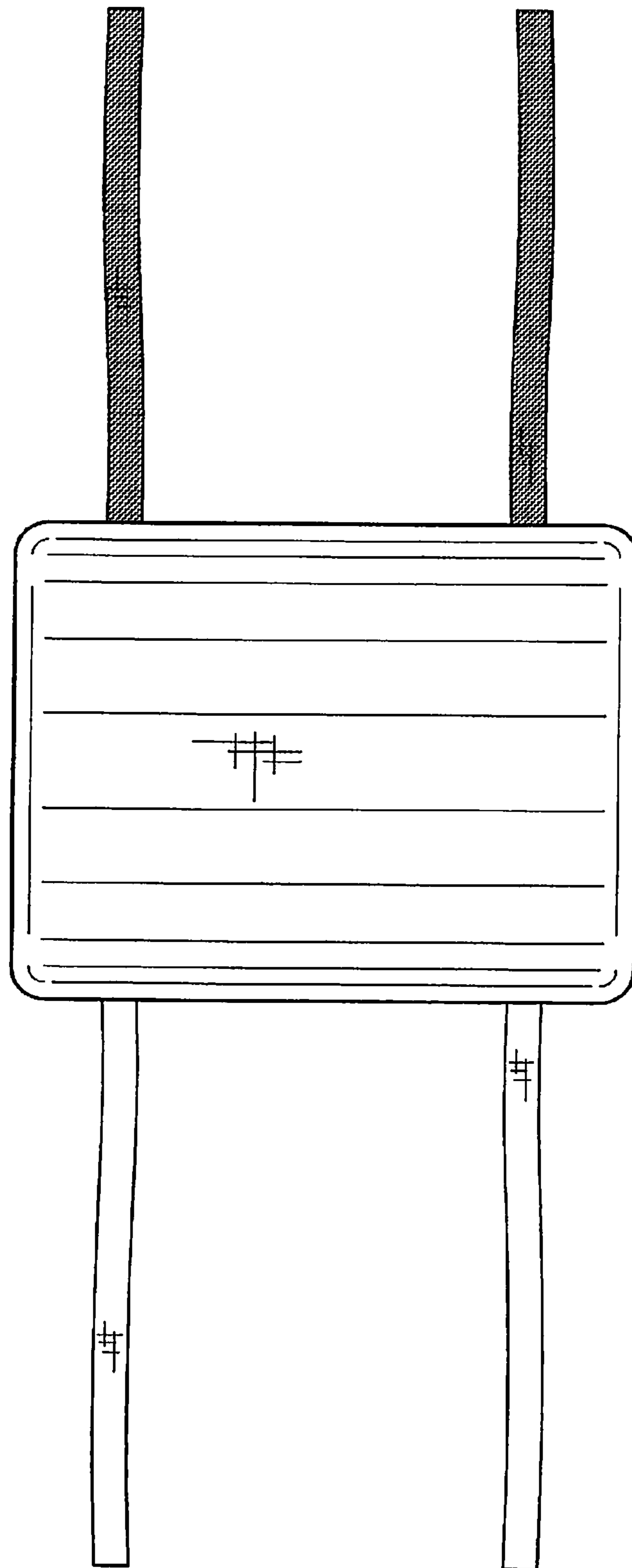


FIG. 1

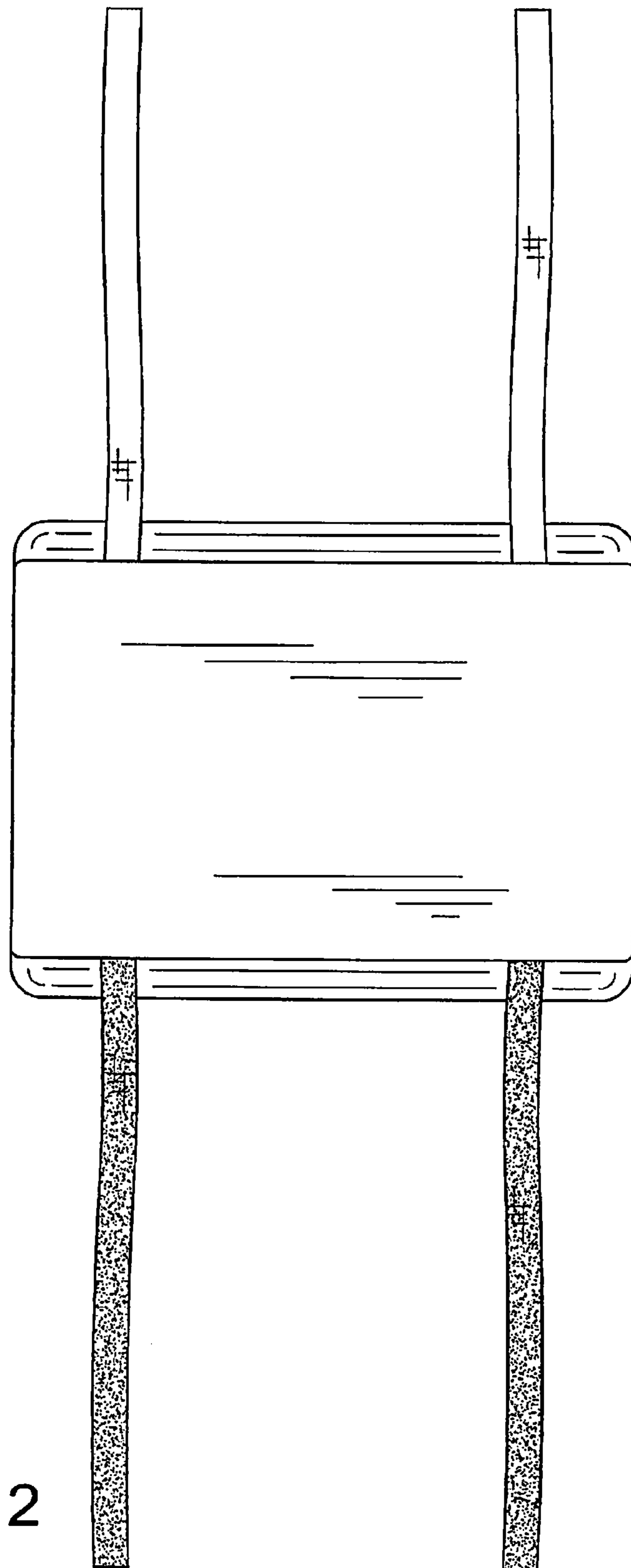


FIG. 2

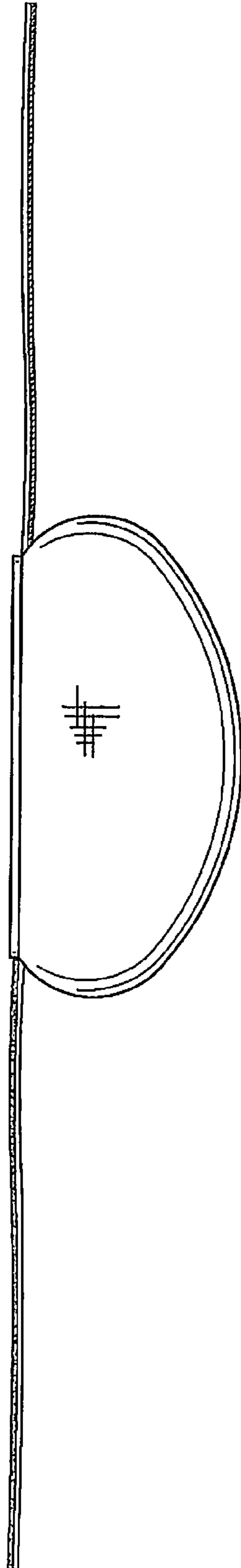


FIG. 3

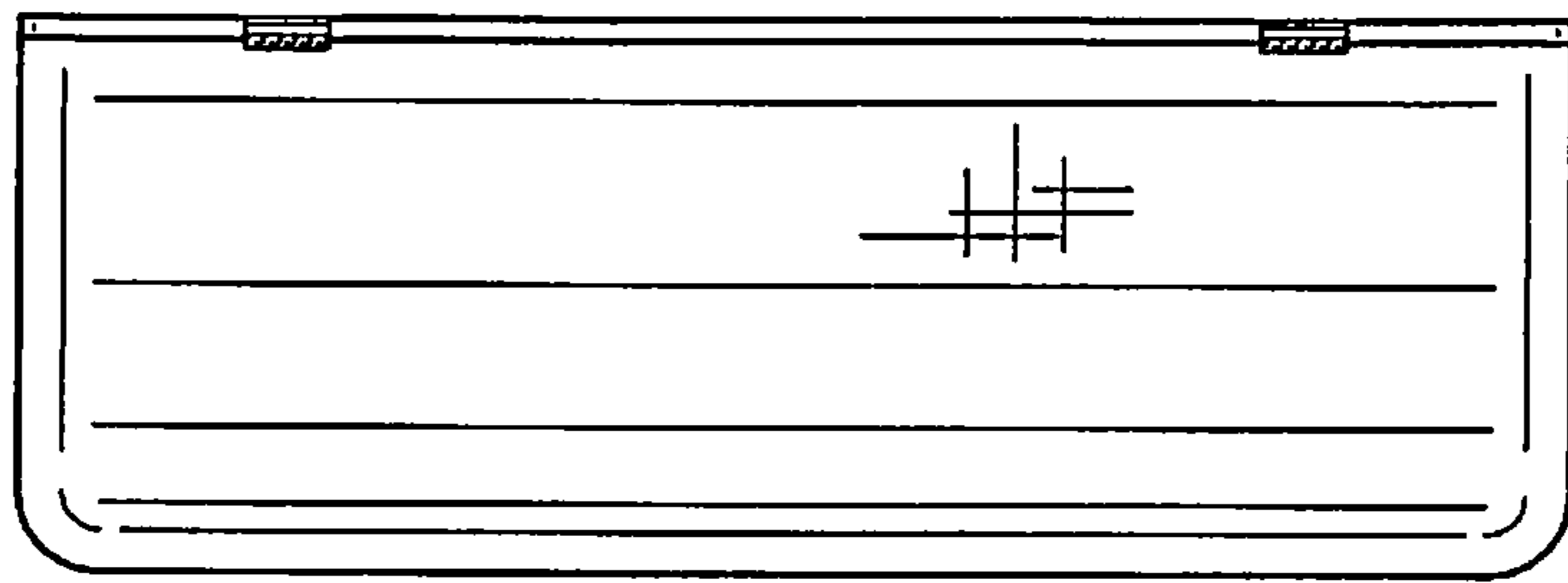


FIG. 4

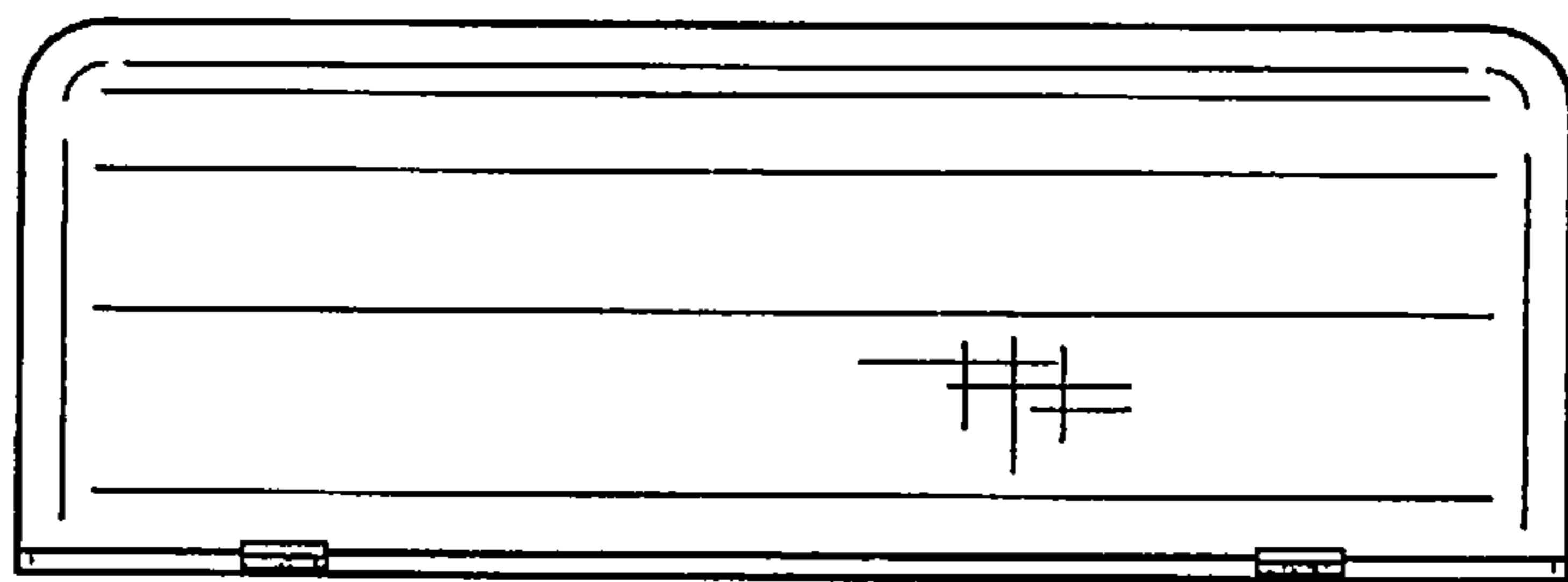


FIG. 5

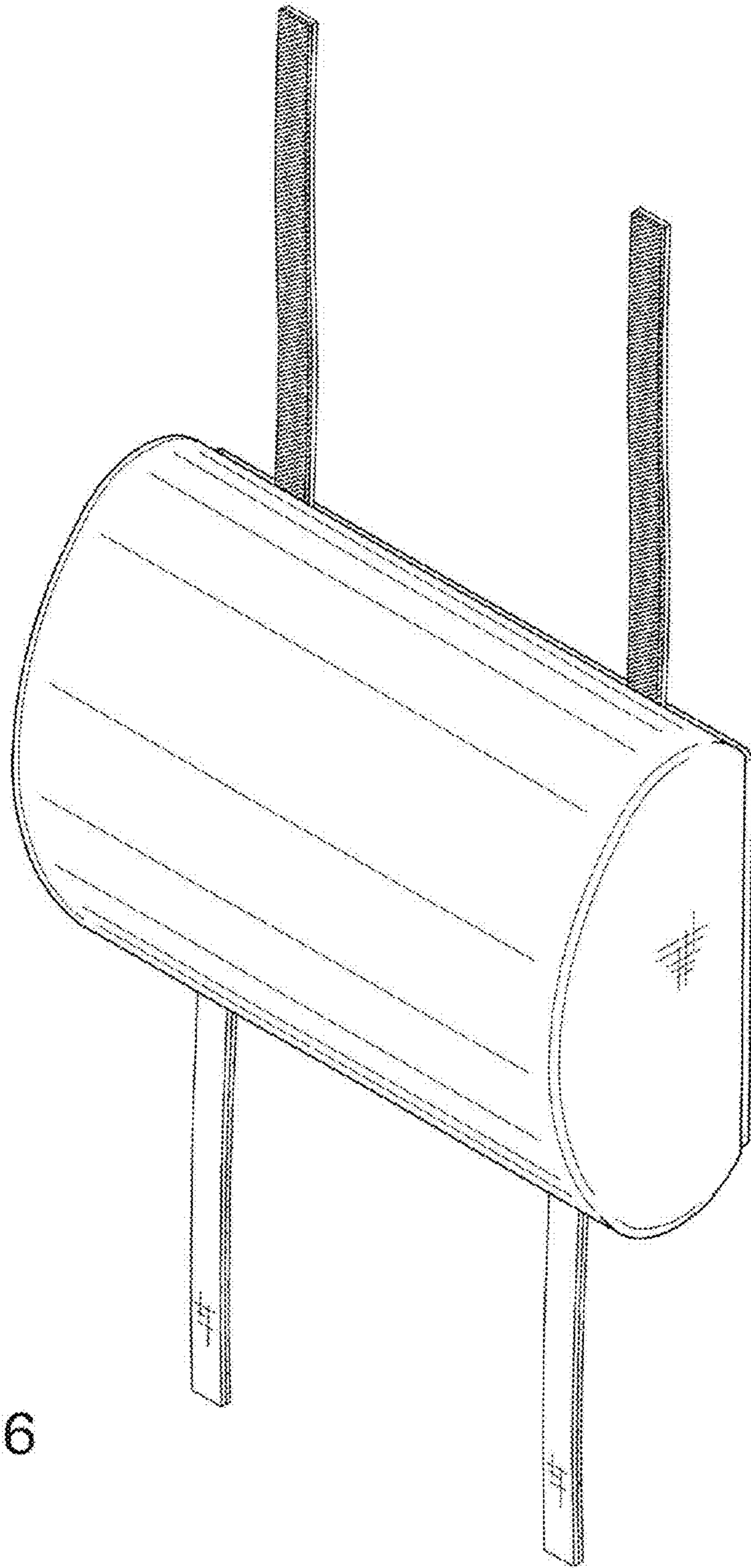


FIG. 6