



US00D686024S

(12) **United States Design Patent**
Vagliardo

(10) **Patent No.:** **US D686,024 S**
(45) **Date of Patent:** **** Jul. 16, 2013**

(54) **SLEEVE FOR A SHOWER CURTAIN,
SHOWER CURTAIN LINER, SHOWER
CURTAIN PANEL, OR THE LIKE**

(75) Inventor: **Courtney J. Vagliardo**, Brooklyn, NY
(US)

(73) Assignee: **Glenoit LLC**, Goldsboro, NC (US)

(**) Term: **14 Years**

(21) Appl. No.: **29/401,269**

(22) Filed: **Sep. 9, 2011**

(51) **LOC (9) Cl.** **06-10**

(52) **U.S. Cl.**
USPC **D6/580**

(58) **Field of Classification Search**
USPC D6/575, 578, 580; 4/448, 557, 558,
4/608, 609, 610; 160/DIG. 6, 330, 352
See application file for complete search history.

(56) **References Cited**

U.S. PATENT DOCUMENTS

2,613,368	A	10/1952	Rosenbaum	
2,817,850	A	12/1957	Barbour et al.	
D231,291	S	4/1974	Villaran	
D370,583	S *	6/1996	Fiddler	D6/578
5,761,751	A	6/1998	Morrissey	
5,771,504	A *	6/1998	Steiner	4/558
6,289,967	B1	9/2001	Moore	
6,591,432	B1	7/2003	Feinstein et al.	
6,896,155	B1	5/2005	Jones et al.	
7,000,674	B1	2/2006	Johnson	
D655,552	S *	3/2012	Beyda	D6/575
D655,553	S *	3/2012	Beyda	D6/575
2006/0080770	A1	4/2006	Rich	
2009/0151068	A1	6/2009	Rice	

* cited by examiner

Primary Examiner — Susan Bennett Hattan

(74) *Attorney, Agent, or Firm* — Alston & Bird LLP

(57) **CLAIM**

The ornamental design for a sleeve for a shower curtain, shower curtain liner, shower curtain panel, or the like, as shown and described.

DESCRIPTION

FIG. 1 is a perspective view of a sleeve for a shower curtain, shower curtain liner, shower curtain panel, or the like according to an embodiment of my new design, shown in the environment of a shower curtain panel;

FIG. 2 is a front elevation view thereof;

FIG. 3 is a rear elevation view thereof;

FIG. 4 is a left side elevation view thereof;

FIG. 5 is a right side elevation view thereof;

FIG. 6 is a top plan view thereof;

FIG. 7 is a bottom plan view thereof;

FIG. 8 is an enlarged perspective view of a portion thereof;

FIG. 9 is a front plan view thereof;

FIG. 10 is a top plan view thereof;

FIG. 11 is a bottom plan view thereof;

FIG. 12 is a left side elevation view thereof;

FIG. 13 is a right side elevation view thereof;

FIG. 14 is a perspective view of a sleeve for a shower curtain, shower curtain liner, shower curtain panel, or the like according to another embodiment of my new design, shown in the environment of a shower curtain panel;

FIG. 15 is a front elevation view thereof;

FIG. 16 is a rear elevation view thereof;

FIG. 17 is a left side elevation view thereof;

FIG. 18 is a right side elevation view thereof;

FIG. 19 is a top plan view thereof;

FIG. 20 is a bottom plan view thereof;

FIG. 21 is an enlarged perspective view of a portion thereof;

FIG. 22 is a front plan view thereof;

FIG. 23 is a top plan view thereof;

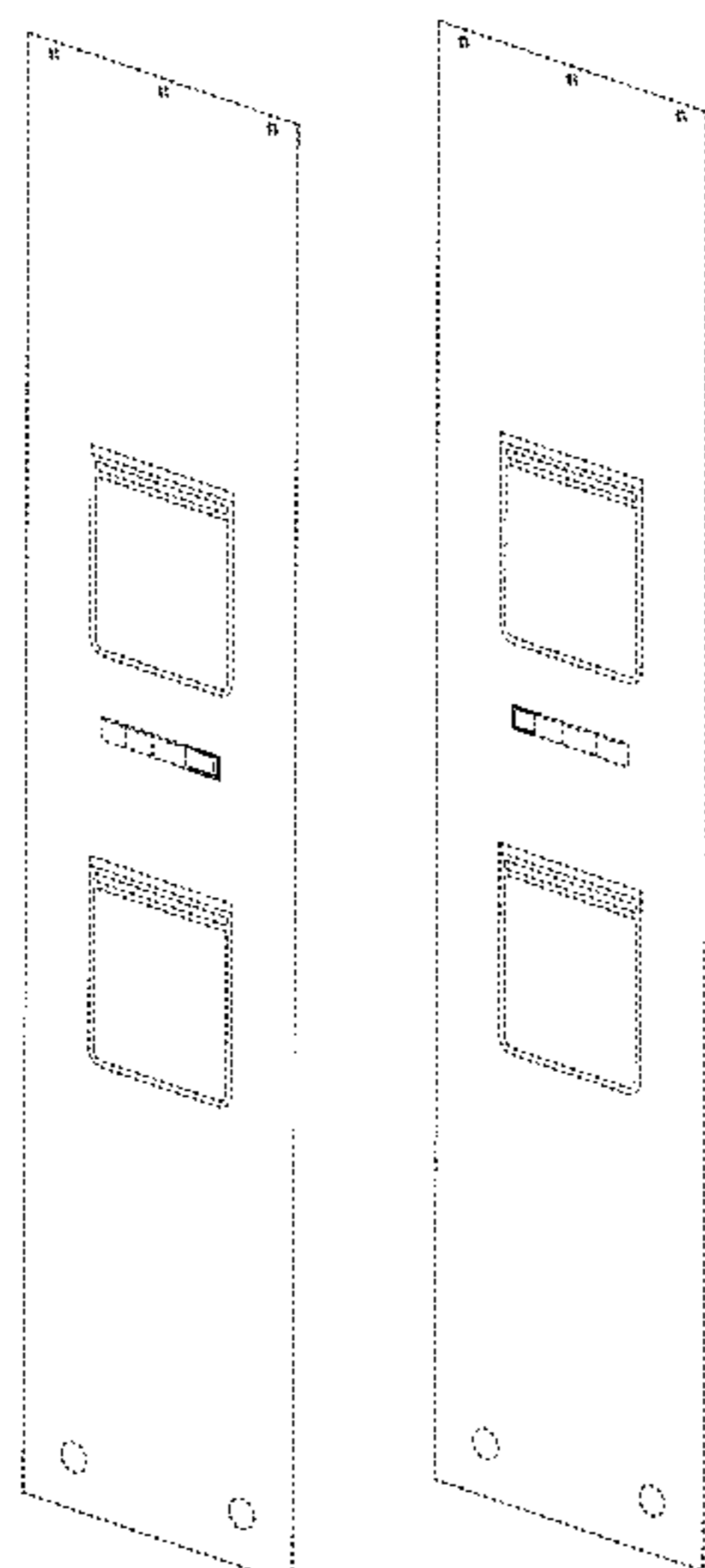
FIG. 24 is a bottom plan view thereof;

FIG. 25 is a left side elevation view thereof; and,

FIG. 26 is a right side elevation view thereof.

All of the broken lines are directed to environment and are for illustrative purposes only. The broken lines form no part of the claimed design.

1 Claim, 12 Drawing Sheets



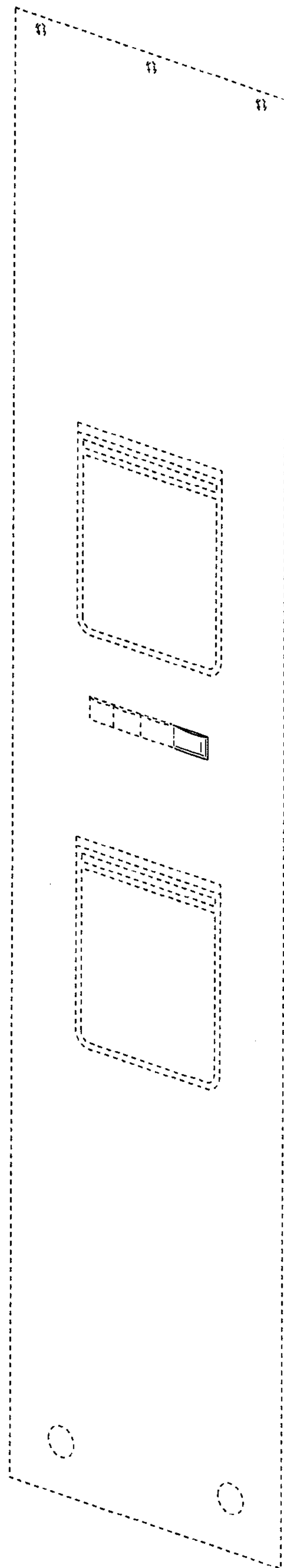


FIG. 1

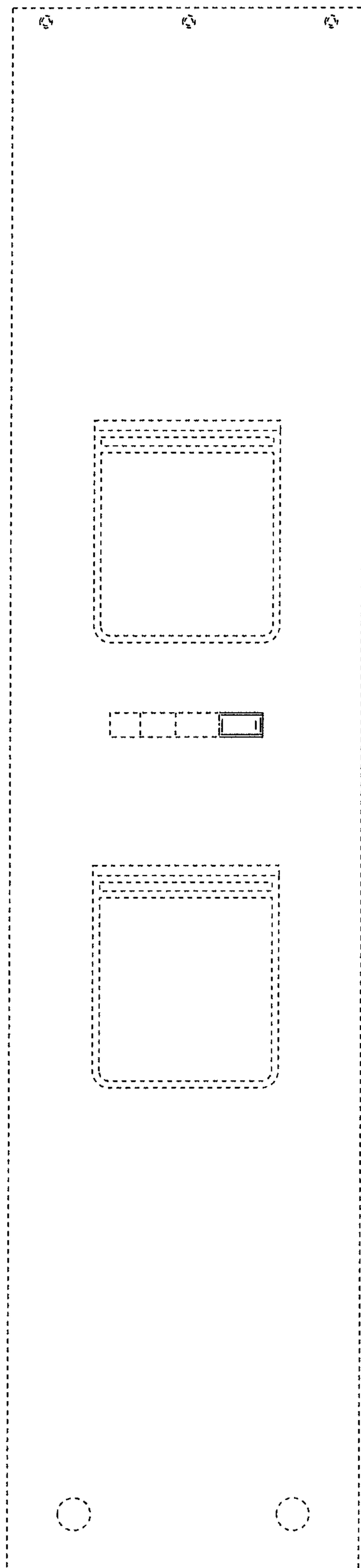


FIG. 2

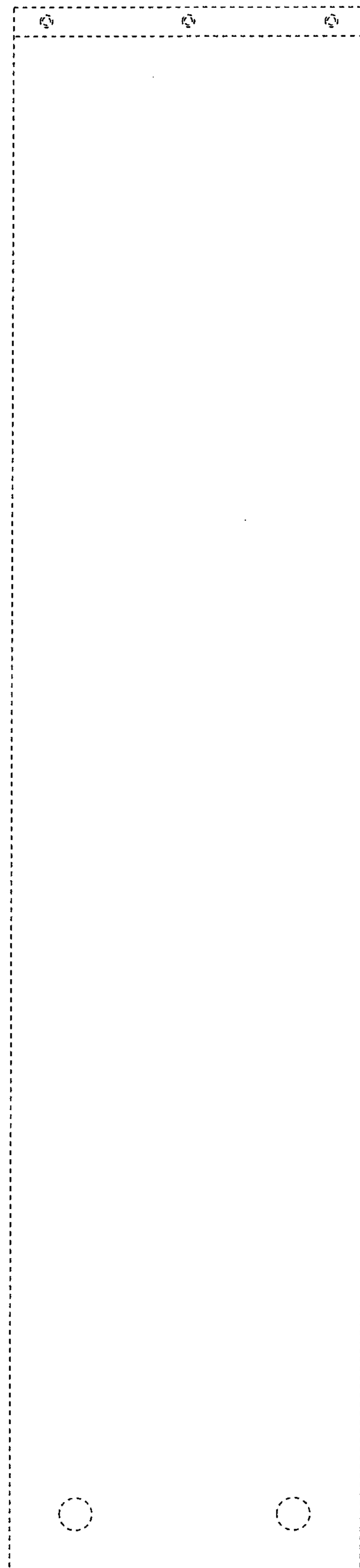


FIG. 3



FIG. 4



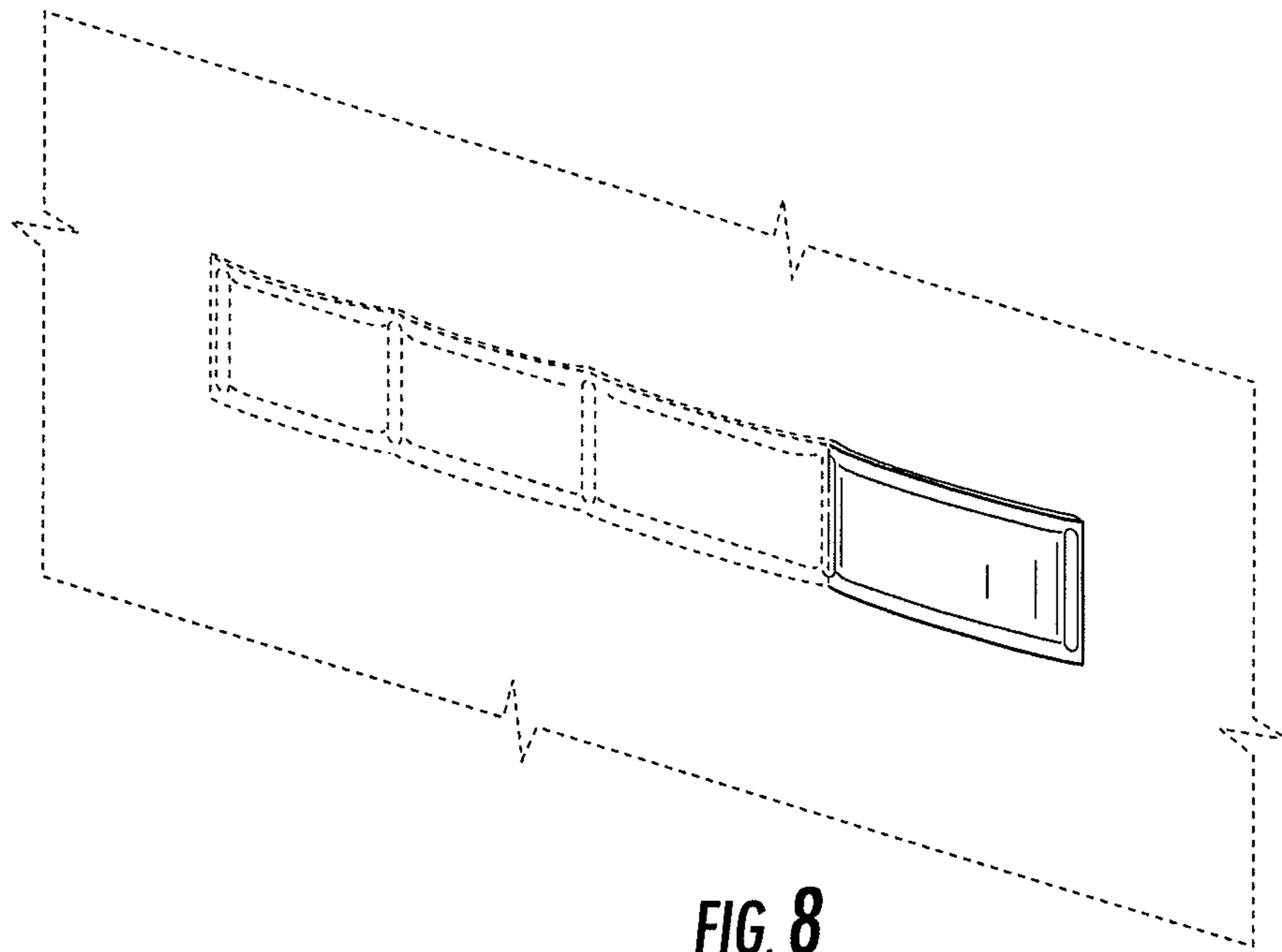
FIG. 5



FIG. 6



FIG. 7



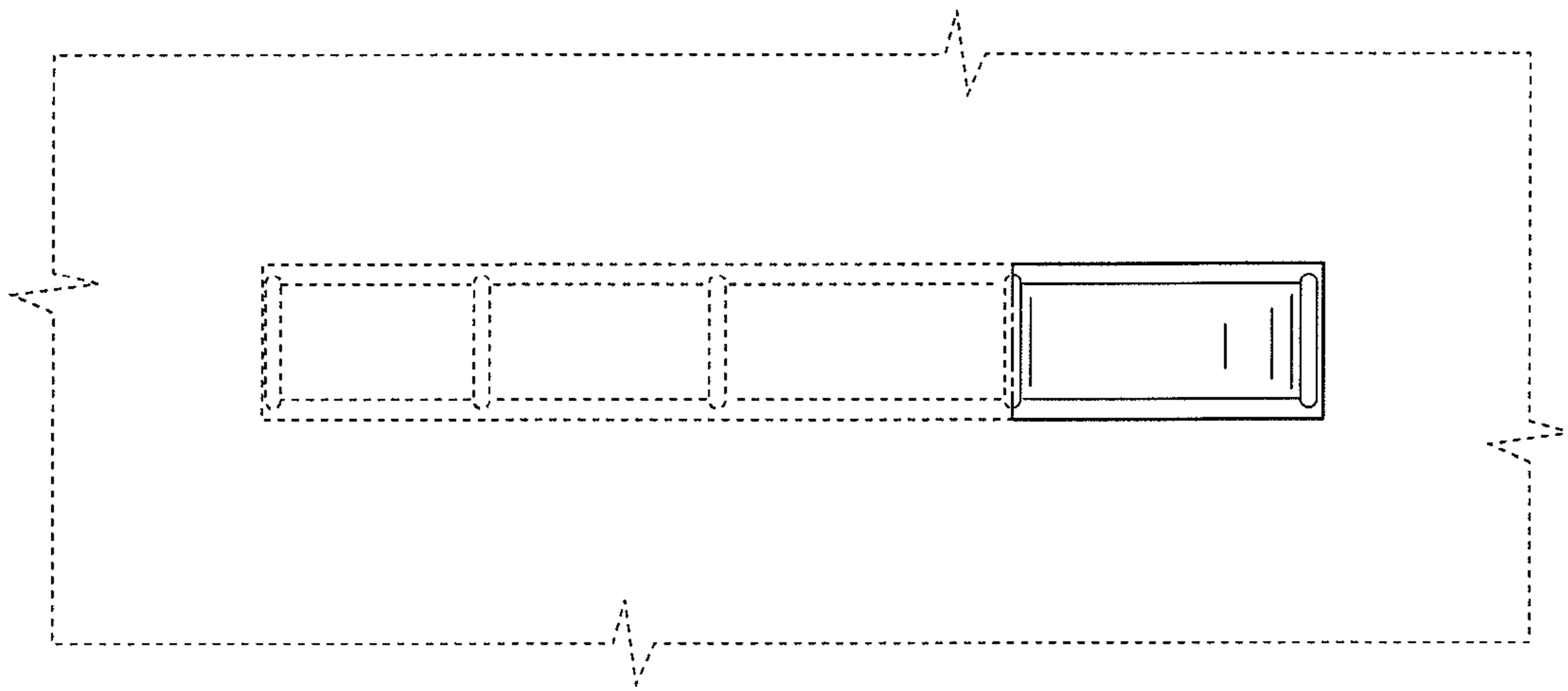


FIG. 9

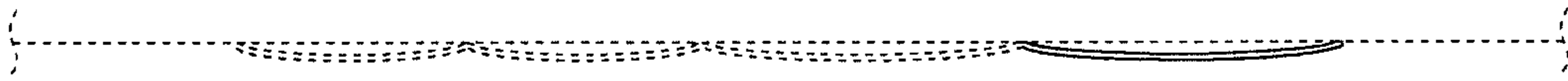


FIG. 10

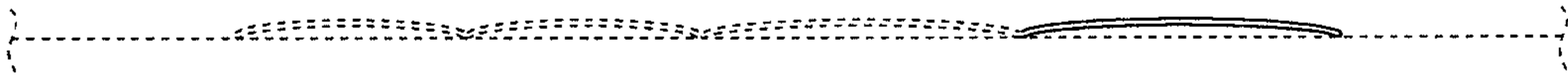


FIG. 11



FIG. 12

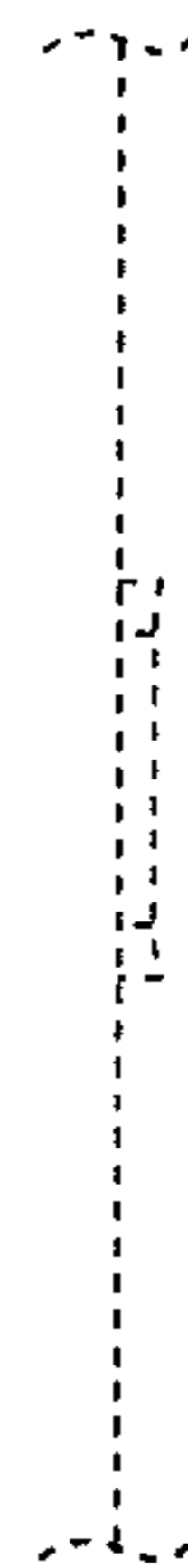


FIG. 13

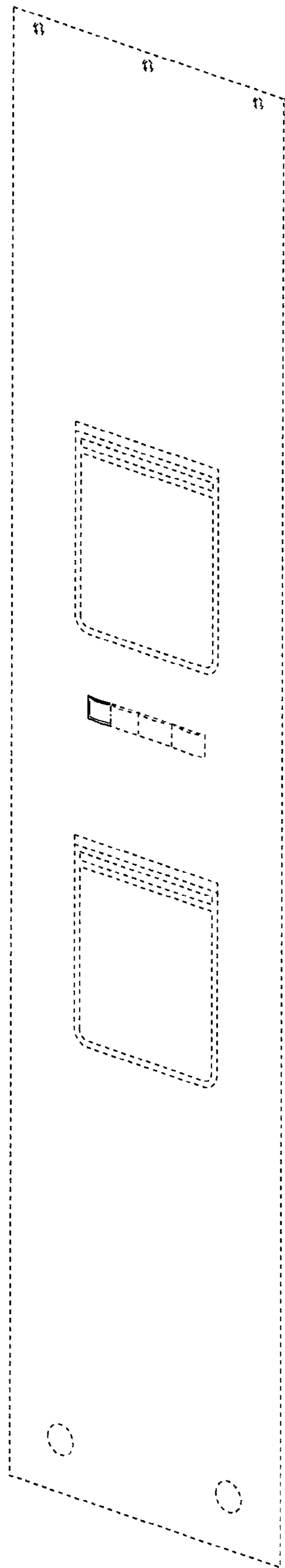


FIG. 14

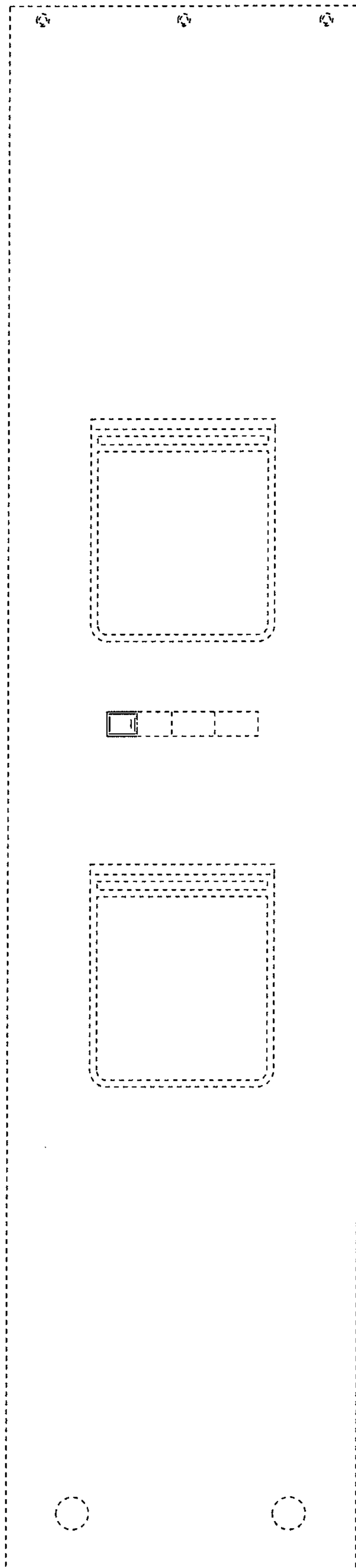


FIG. 15

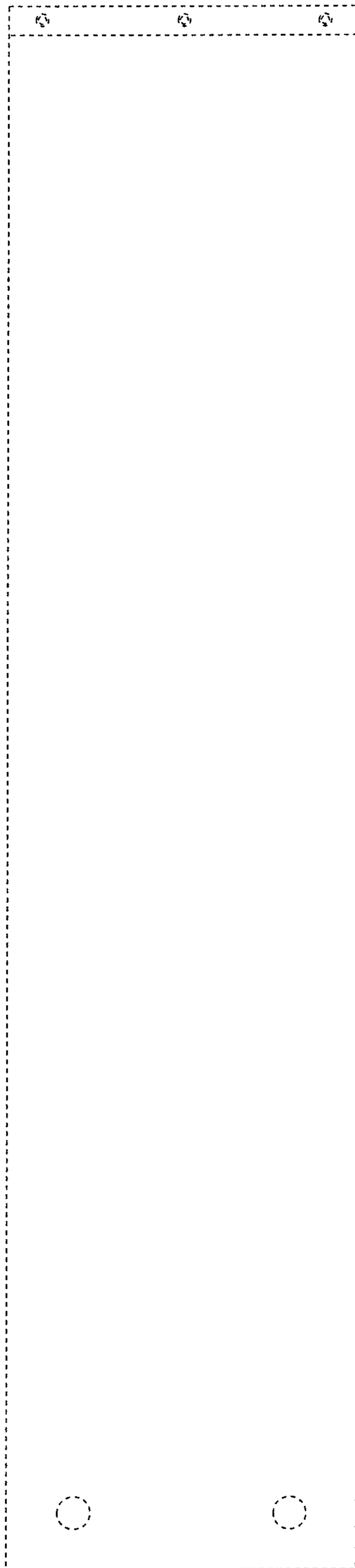


FIG. 16

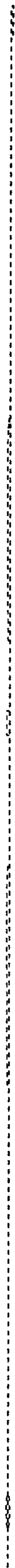


FIG. 17

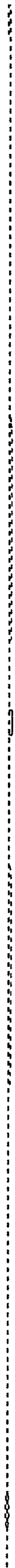


FIG. 18

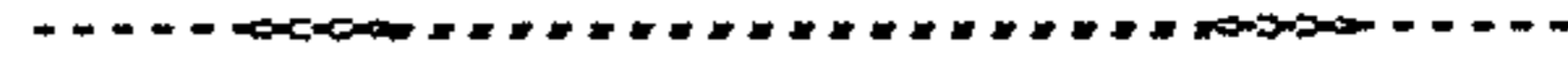
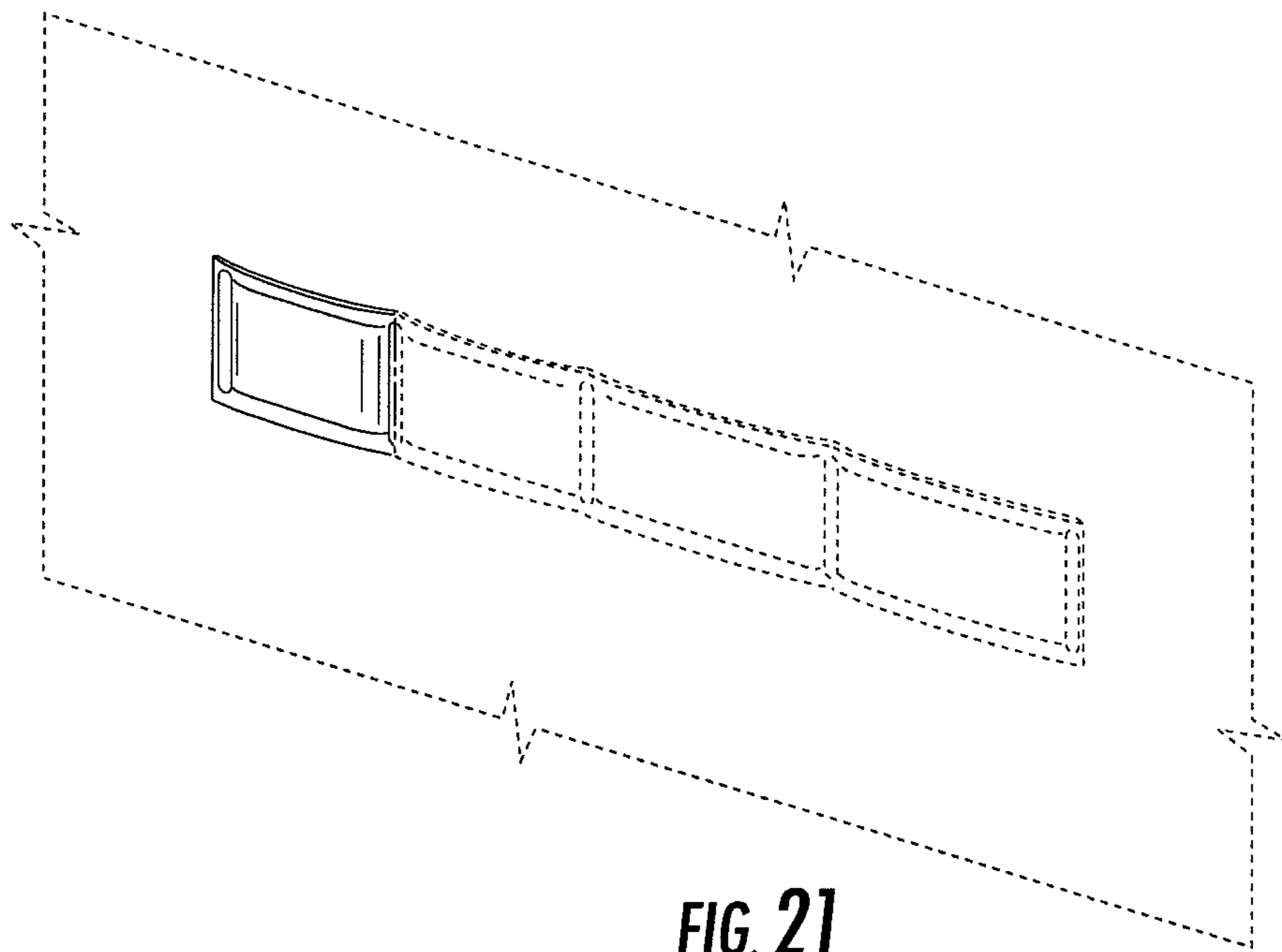


FIG. 19



FIG. 20



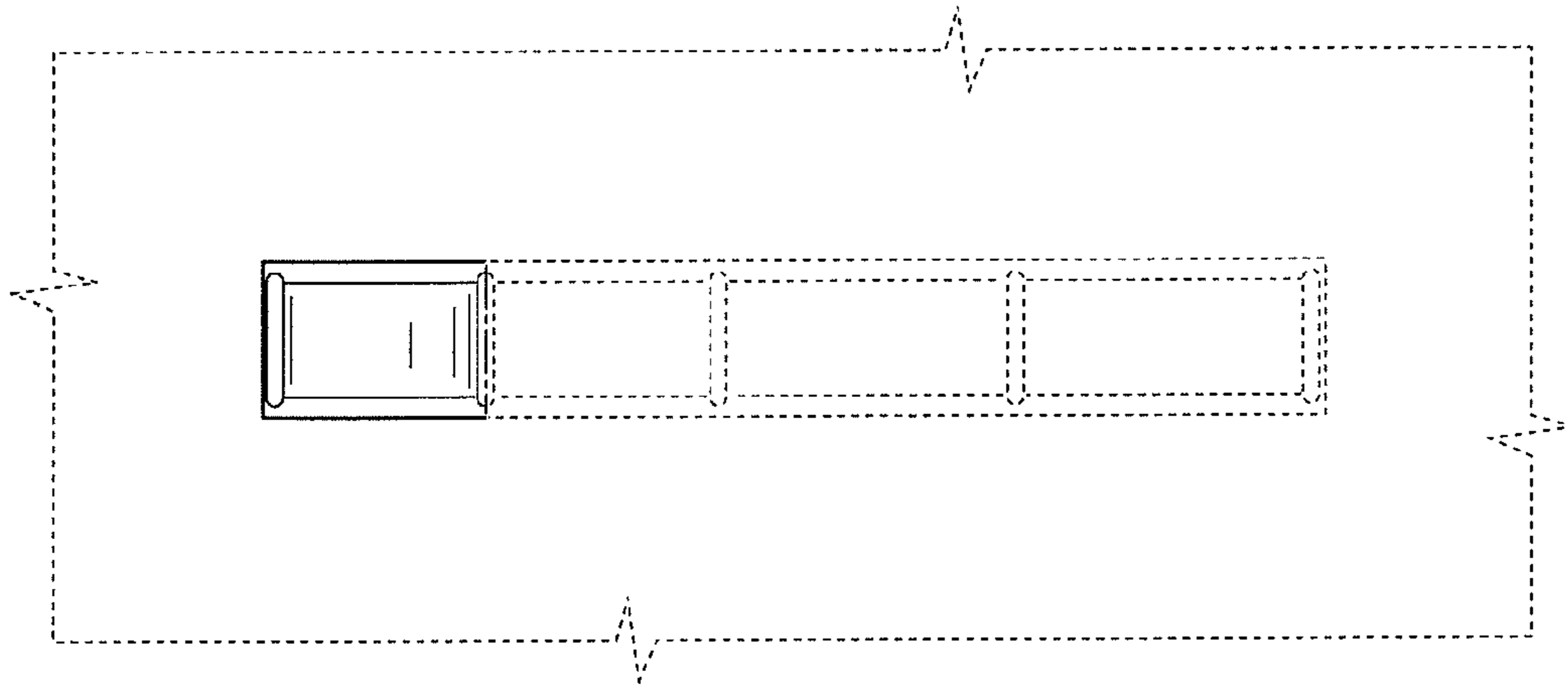


FIG. 22

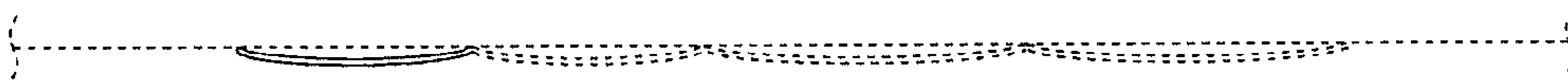


FIG. 23

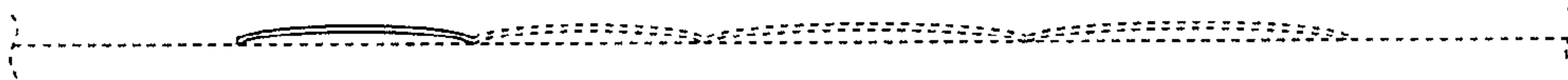


FIG. 24



FIG. 25

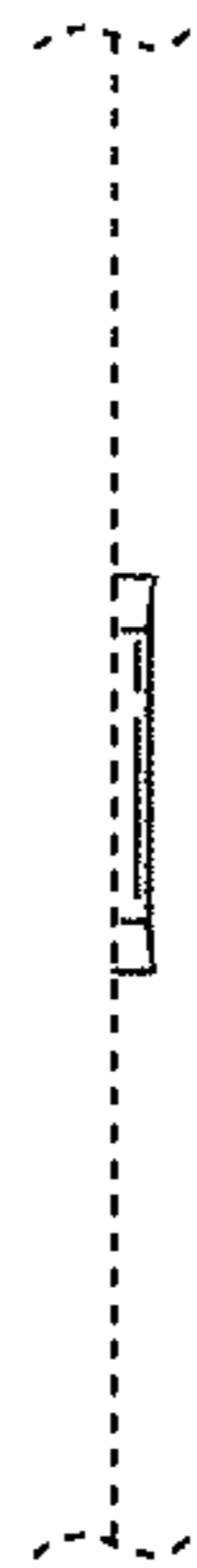


FIG. 26