



US00D686021S

(12) **United States Design Patent**
Gilboe et al.

(10) **Patent No.:** **US D686,021 S**

(45) **Date of Patent:** **** Jul. 16, 2013**

(54) **SHELF**

(75) Inventors: **Kevin J. Gilboe**, Woodbury, MN (US);
Angela L. Pan, Woodbury, MN (US);
Craig D. Thompson, Inver Grove
Heights, MN (US); **Matthew J.**
Nettenstrom, Streamwood, IL (US);
Justin B. Peart, Lisle, IL (US); **Jeremy**
A. Abel, Oswego, IL (US); **Thomas M.**
McKeon, Wheaton, IL (US)

(73) Assignee: **3M Innovative Properties Company**,
St. Paul, MN (US)

(**) Term: **14 Years**

(21) Appl. No.: **29/423,917**

(22) Filed: **Jun. 6, 2012**

(51) **LOC (9) Cl.** **06-04**

(52) **U.S. Cl.**
USPC **D6/574**

(58) **Field of Classification Search**
USPC D6/518-524, 548-550, 574; D8/300,
D8/303, 315-321, 349, 354, 363, 373, 380;
108/28-29; 211/13.1, 16, 60.1, 100, 86.01,
211/87.01, 88.01, 88.04, 105.1-105.2, 123,
211/182, 181.1; 248/176, 176.1, 251, 302,
248/309.1; 16/110.1, 412, 415; 242/570,
242/590, 595-598

See application file for complete search history.

(56) **References Cited**

U.S. PATENT DOCUMENTS

D493,320	S	*	7/2004	Ayers et al.	D6/574
D509,088	S	*	9/2005	Hoernig	D6/574
D546,611	S	*	7/2007	Bouroullec et al.	D6/574
D577,239	S	*	9/2008	Krumpe et al.	D6/574
D604,539	S	*	11/2009	Kennedy et al.	D6/574
D663,987	S	*	7/2012	Fritz et al.	D6/574

* cited by examiner

Primary Examiner — Brian N Vinson

(74) *Attorney, Agent, or Firm* — Irina Hass

(57) **CLAIM**

The ornamental design for a shelf, as shown and described.

DESCRIPTION

FIG. 1 is a perspective view showing the new design for a shelf;

FIG. 2 is a right side view thereof, a left side view being a mirror image thereof;

FIG. 3 is a front view thereof;

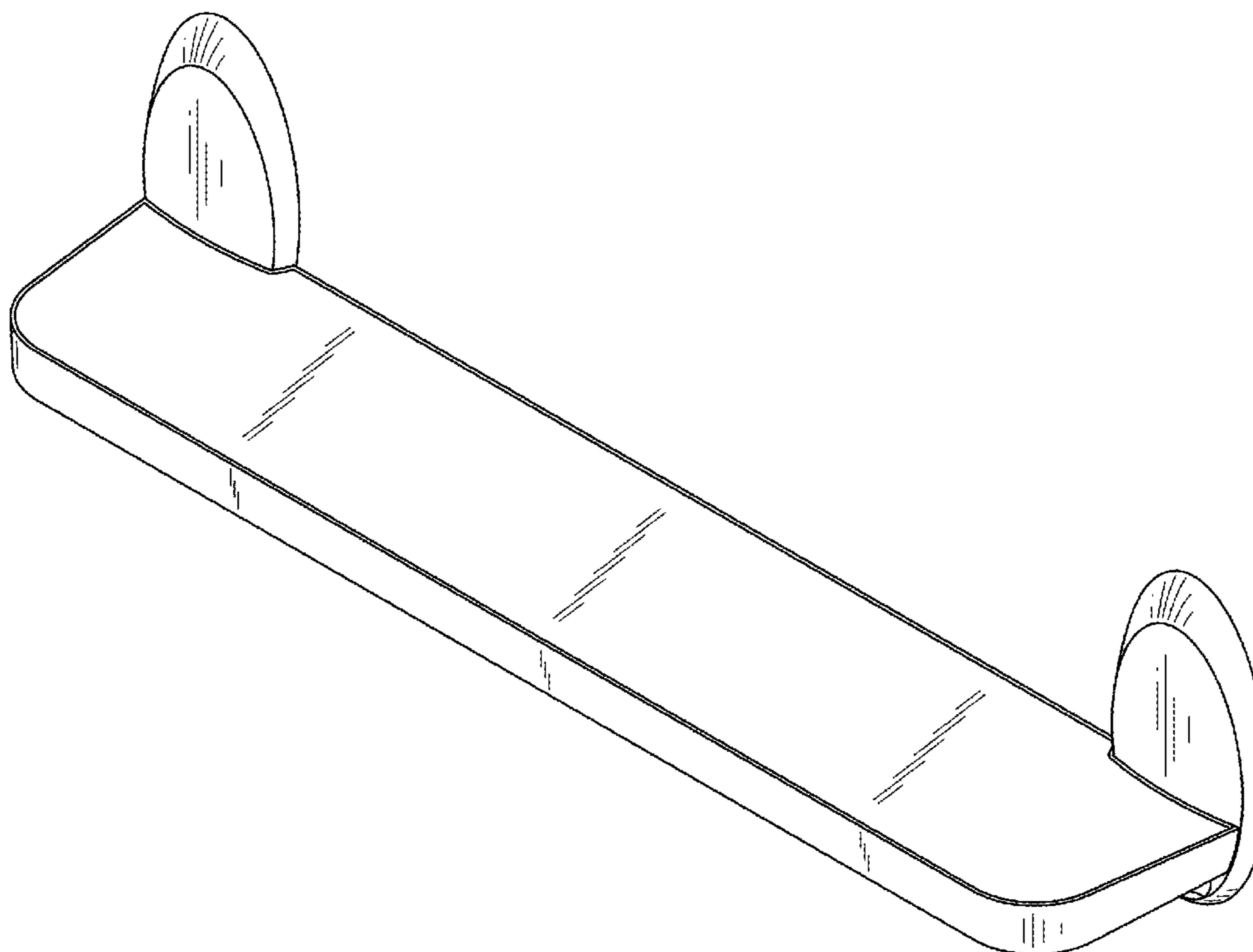
FIG. 4 is a rear view thereof;

FIG. 5 is a top view thereof; and,

FIG. 6 is a bottom view thereof.

The broken lines in the drawings are shown for illustrative purposes only and form no part of the claimed design. In addition, the surface shading illustrated in the drawings is provided merely to highlight the contour of design; it is not intended to be illustrative of texture or gloss.

1 Claim, 3 Drawing Sheets



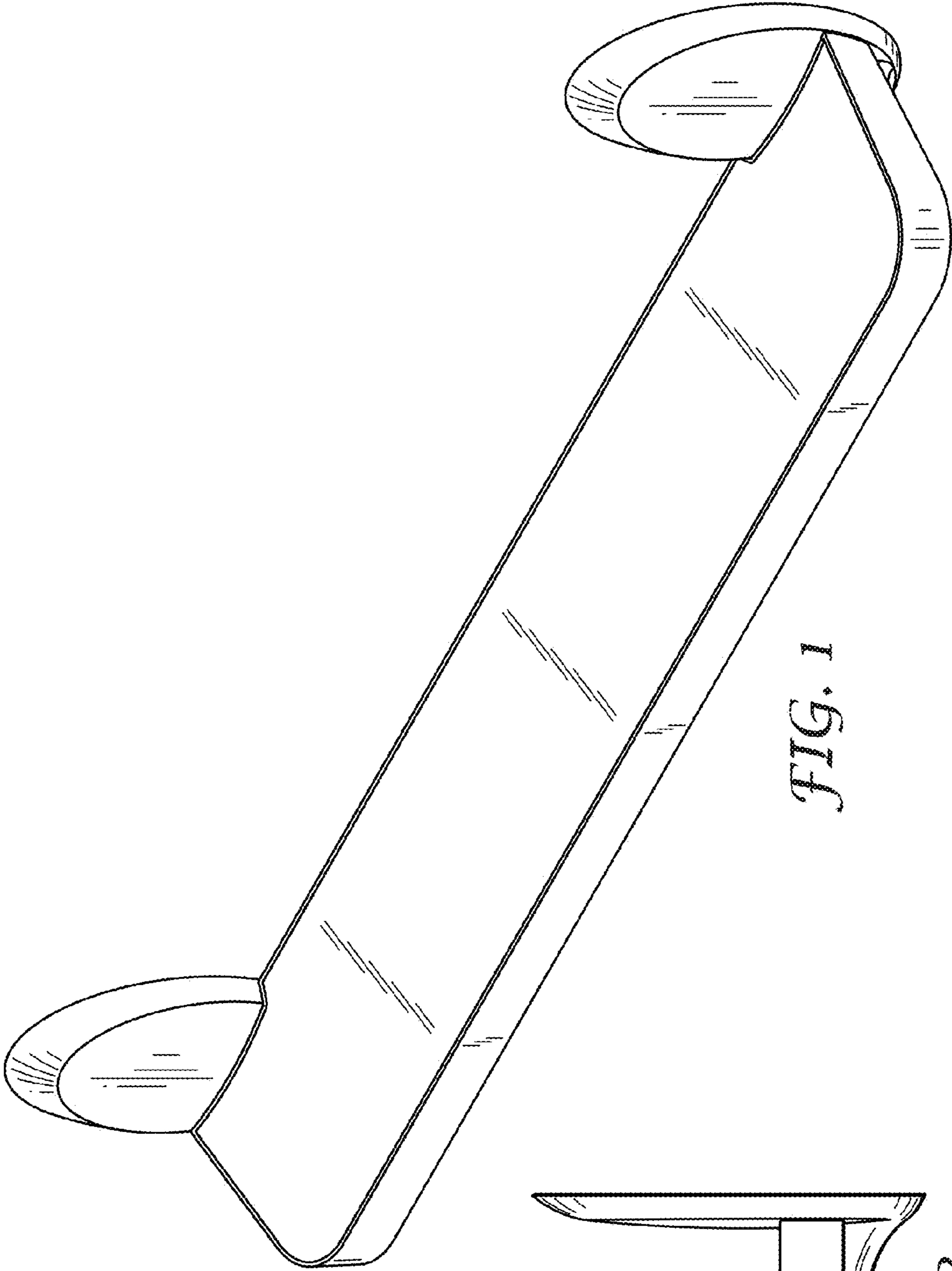


FIG. 1

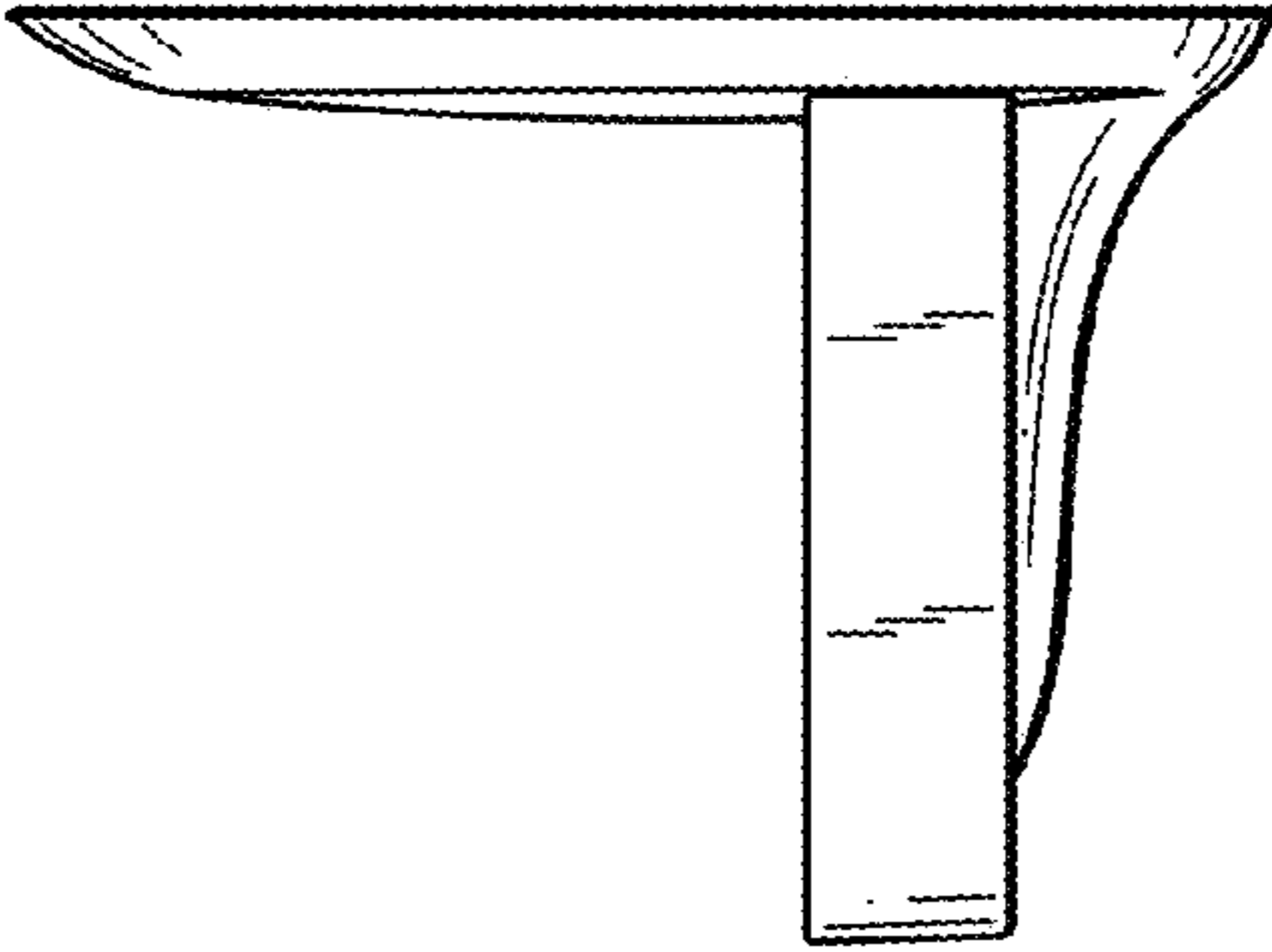
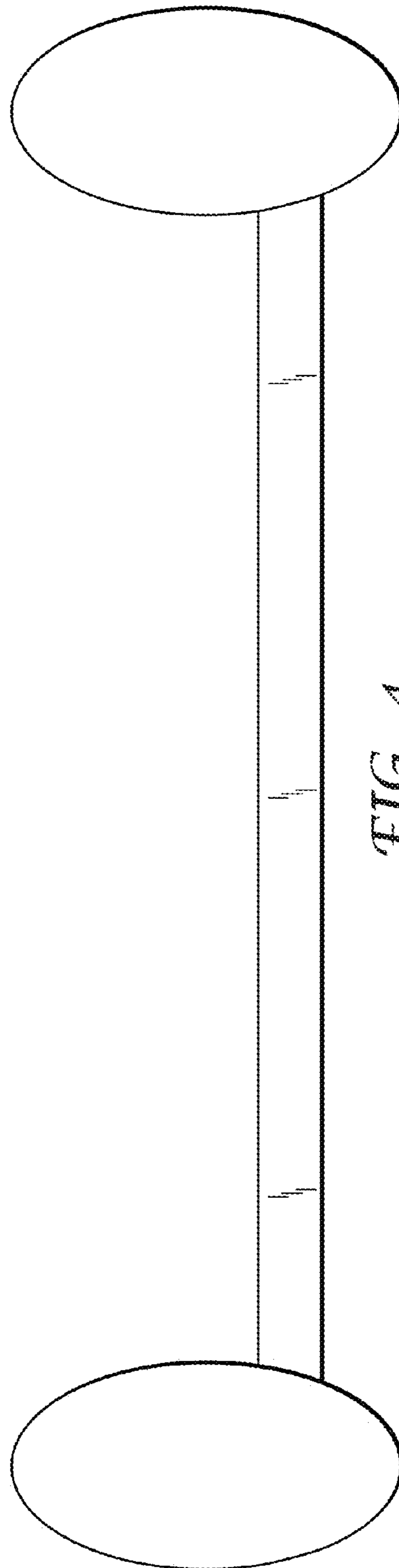
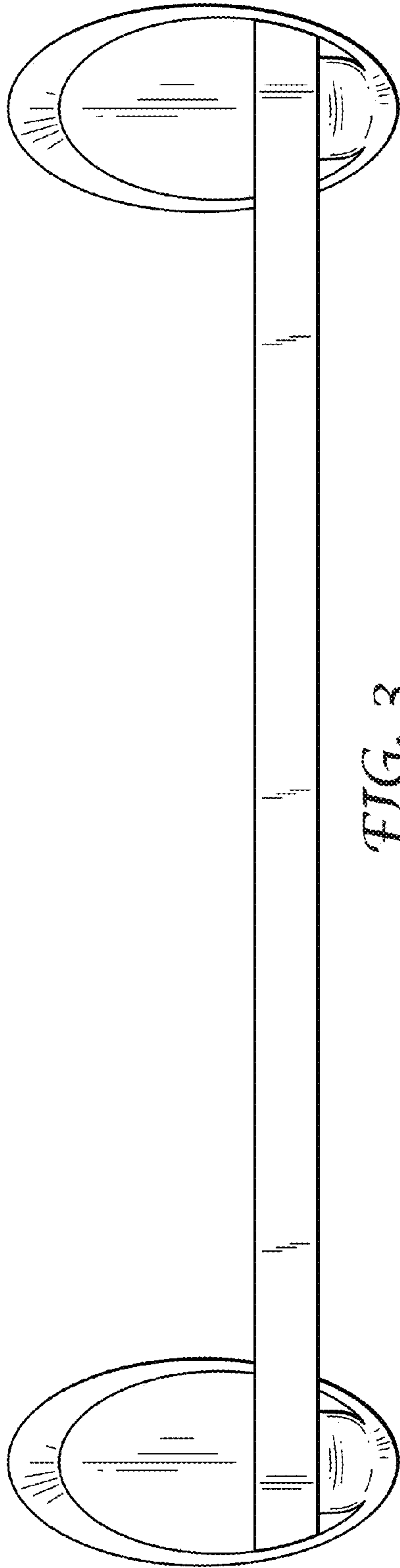


FIG. 2



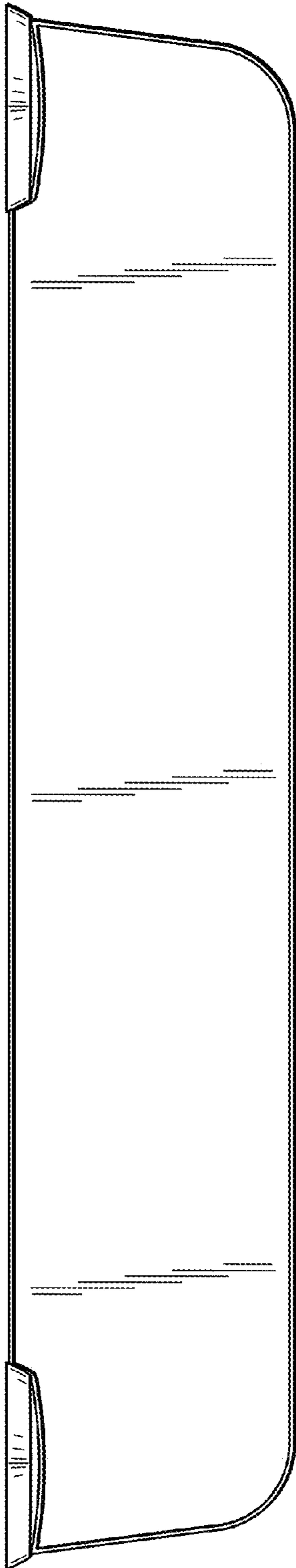


FIG. 5

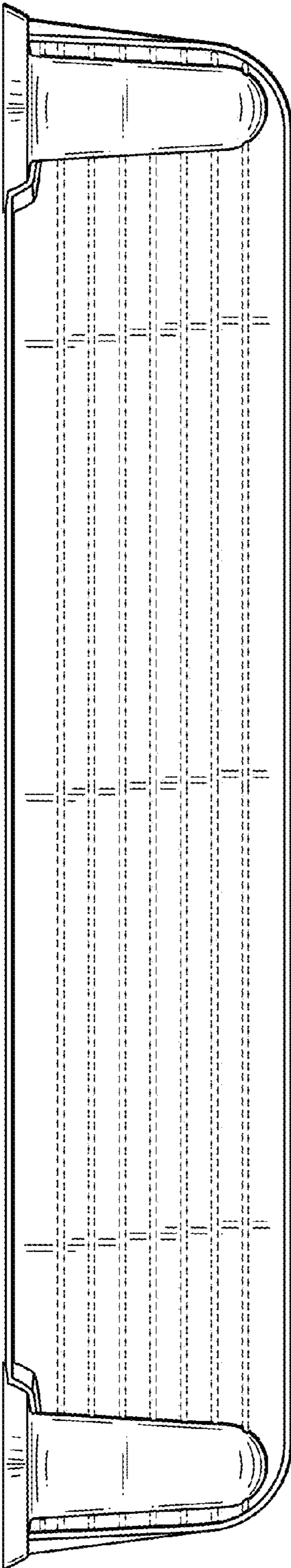


FIG. 6