



US00D686017S

(12) **United States Design Patent**  
**Gasser**

(10) **Patent No.:** **US D686,017 S**  
(45) **Date of Patent:** **\*\* Jul. 16, 2013**

(54) **DRAWER**

(75) Inventor: **Ingo Gasser**, Hochst (AT)

(73) Assignee: **Julius Blum GmbH**, Hochst (AT)

(\*\*) Term: **14 Years**

(21) Appl. No.: **29/401,450**

(22) Filed: **Sep. 12, 2011**

(30) **Foreign Application Priority Data**

May 19, 2011 (EM) ..... 001866211-0012

(51) **LOC (9) Cl.** ..... **06-02**

(52) **U.S. Cl.**  
USPC ..... **D6/510**

(58) **Field of Classification Search**  
USPC ..... D6/396-397, 421-426, 429-449,  
D6/477-480, 509-511; 312/184, 204, 224,  
312/227, 238, 265.1, 297, 330.1, 334.36,  
312/348.3, 348.4, 348.6  
See application file for complete search history.

(56) **References Cited**

**U.S. PATENT DOCUMENTS**

2,801,895 A \* 8/1957 Gass ..... 312/257.1  
4,099,815 A \* 7/1978 Cox et al. .... 312/348.2  
D255,632 S \* 7/1980 Litchfield et al. .... D6/510  
D258,709 S \* 3/1981 Litchfield et al. .... D6/510  
D264,660 S \* 6/1982 Rock et al. .... D6/510  
D267,066 S \* 11/1982 Rock et al. .... D6/510

D326,381 S \* 5/1992 Heiligenthal et al. .... D6/510  
D458,780 S \* 6/2002 Siepmann et al. .... D6/510  
D505,817 S \* 6/2005 Jackson ..... D6/510  
D523,667 S \* 6/2006 Bisson ..... D6/510  
D543,001 S \* 5/2007 Huguet ..... D34/27  
D593,347 S \* 6/2009 Kilpatrick ..... D6/511  
D599,145 S \* 9/2009 Daino et al. .... D6/510  
D612,681 S \* 3/2010 Baker et al. .... D7/405  
D619,832 S \* 7/2010 Zalewski et al. .... D6/510  
D667,658 S \* 9/2012 Maroney et al. .... D6/510  
D677,289 S \* 3/2013 Seo et al. .... D15/90

**FOREIGN PATENT DOCUMENTS**

EM 1136565-0001 5/2009

\* cited by examiner

*Primary Examiner* — Kelley Donnelly

(74) *Attorney, Agent, or Firm* — Wenderoth, Lind & Ponack,  
L.L.P.

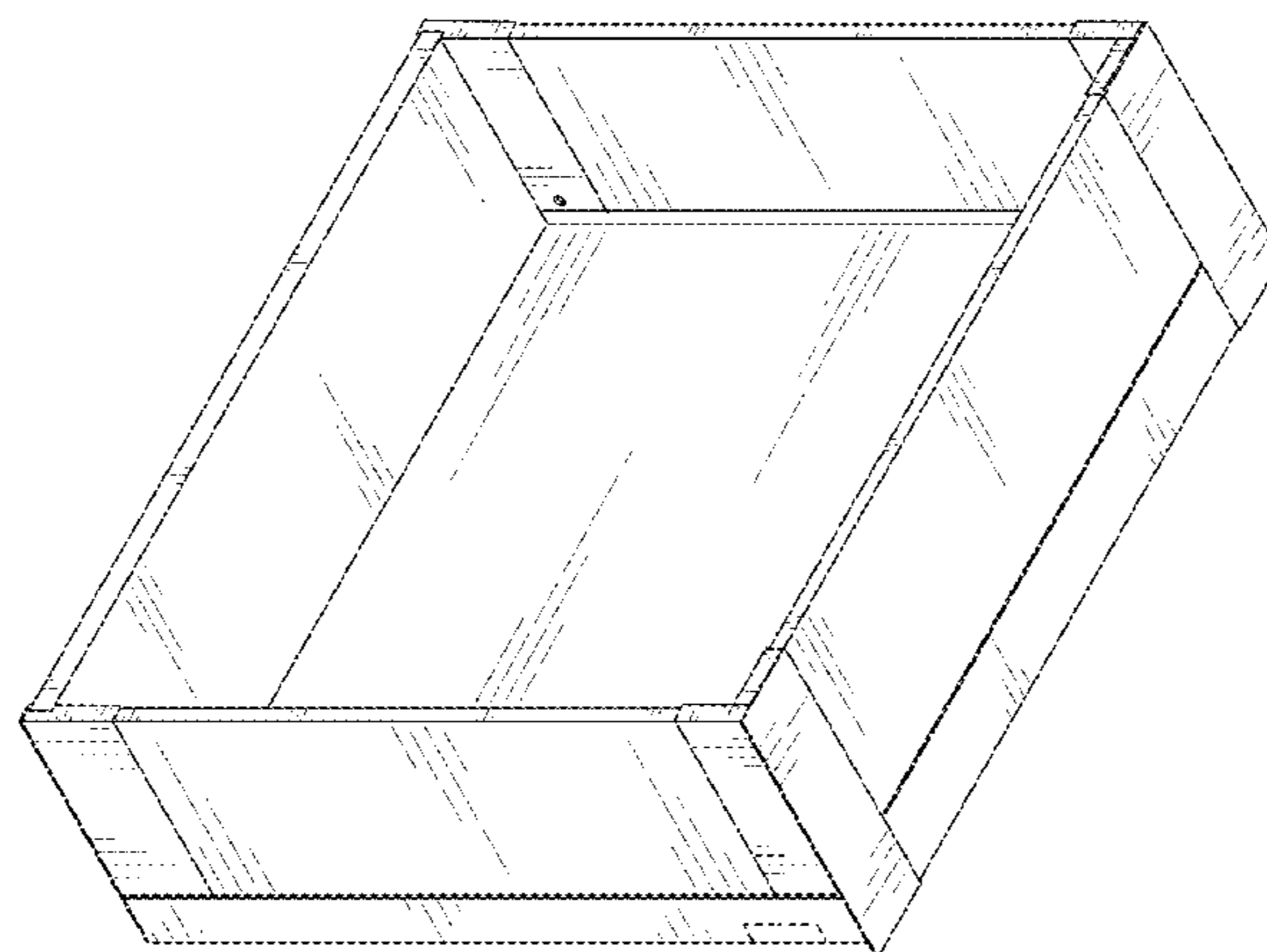
(57) **CLAIM**

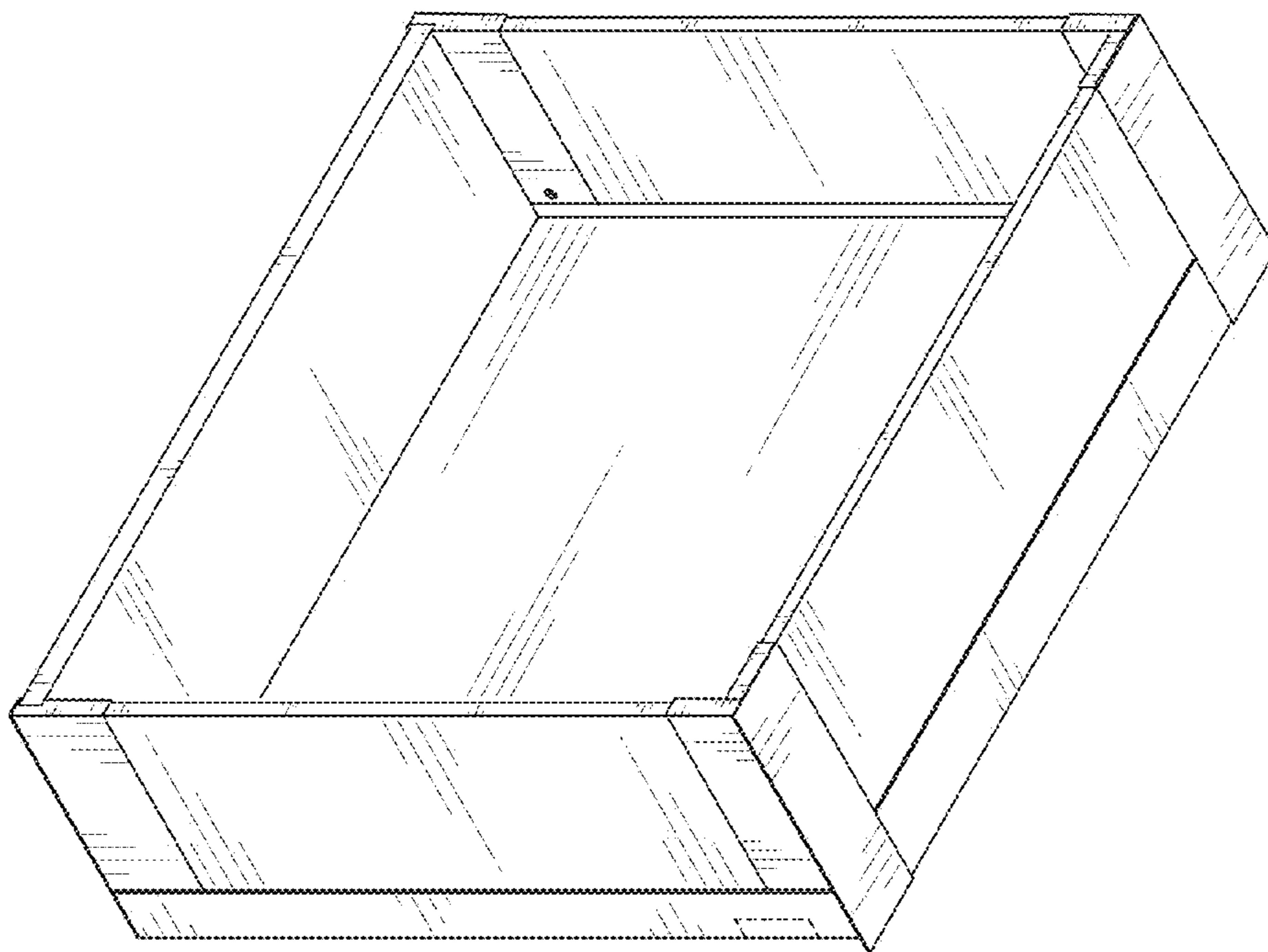
The ornamental design for a drawer, as shown and described.

**DESCRIPTION**

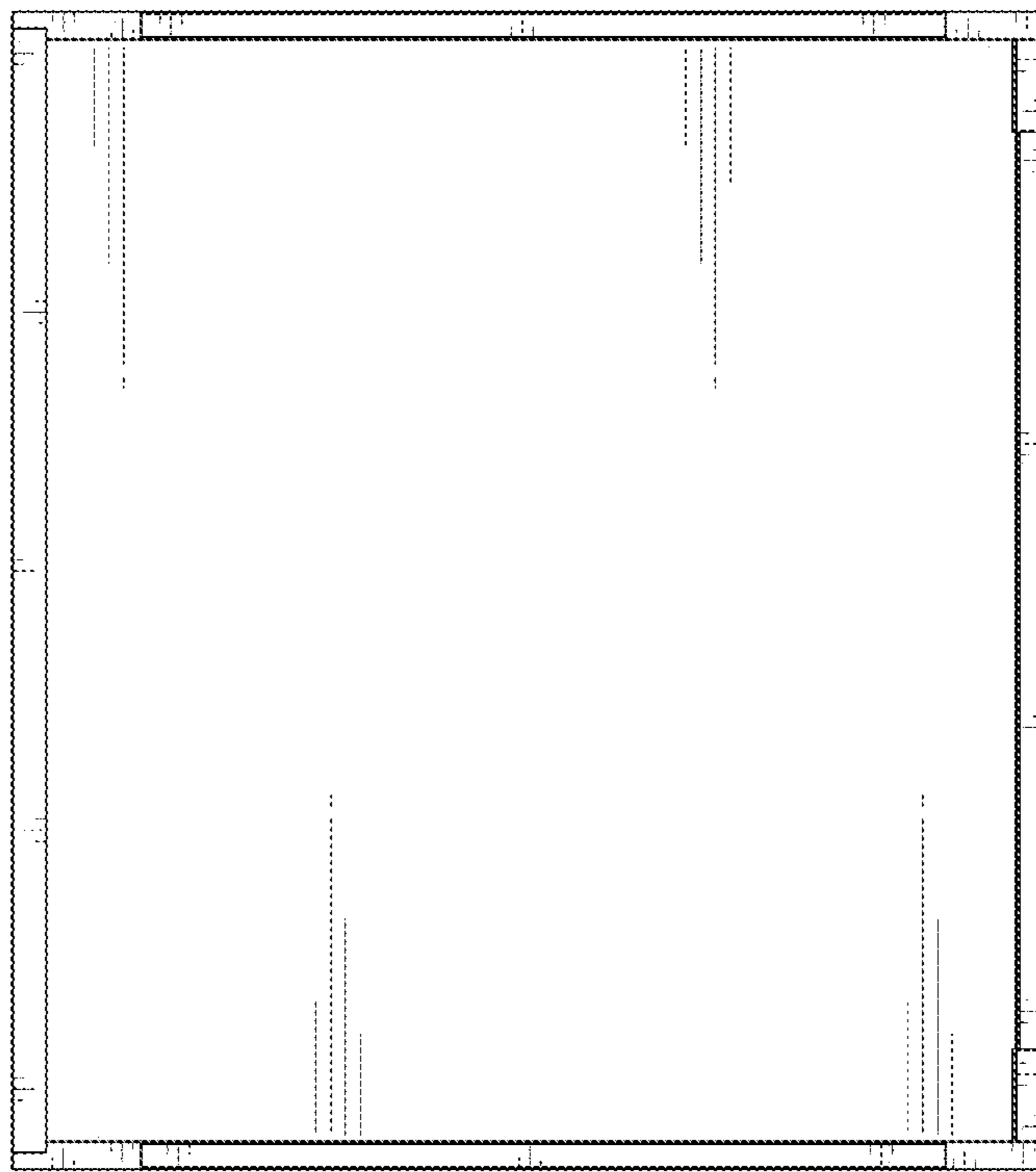
FIG. 1 is a top perspective view of a drawer;  
FIG. 2 is a top view thereof;  
FIG. 3 is a bottom view thereof;  
FIG. 4 is a front view thereof;  
FIG. 5 is a rear view thereof;  
FIG. 6 is a right side view thereof; and,  
FIG. 7 is a left side view thereof.  
The portions of the drawings shown in broken lines form no  
part of the claimed designed.

**1 Claim, 7 Drawing Sheets**

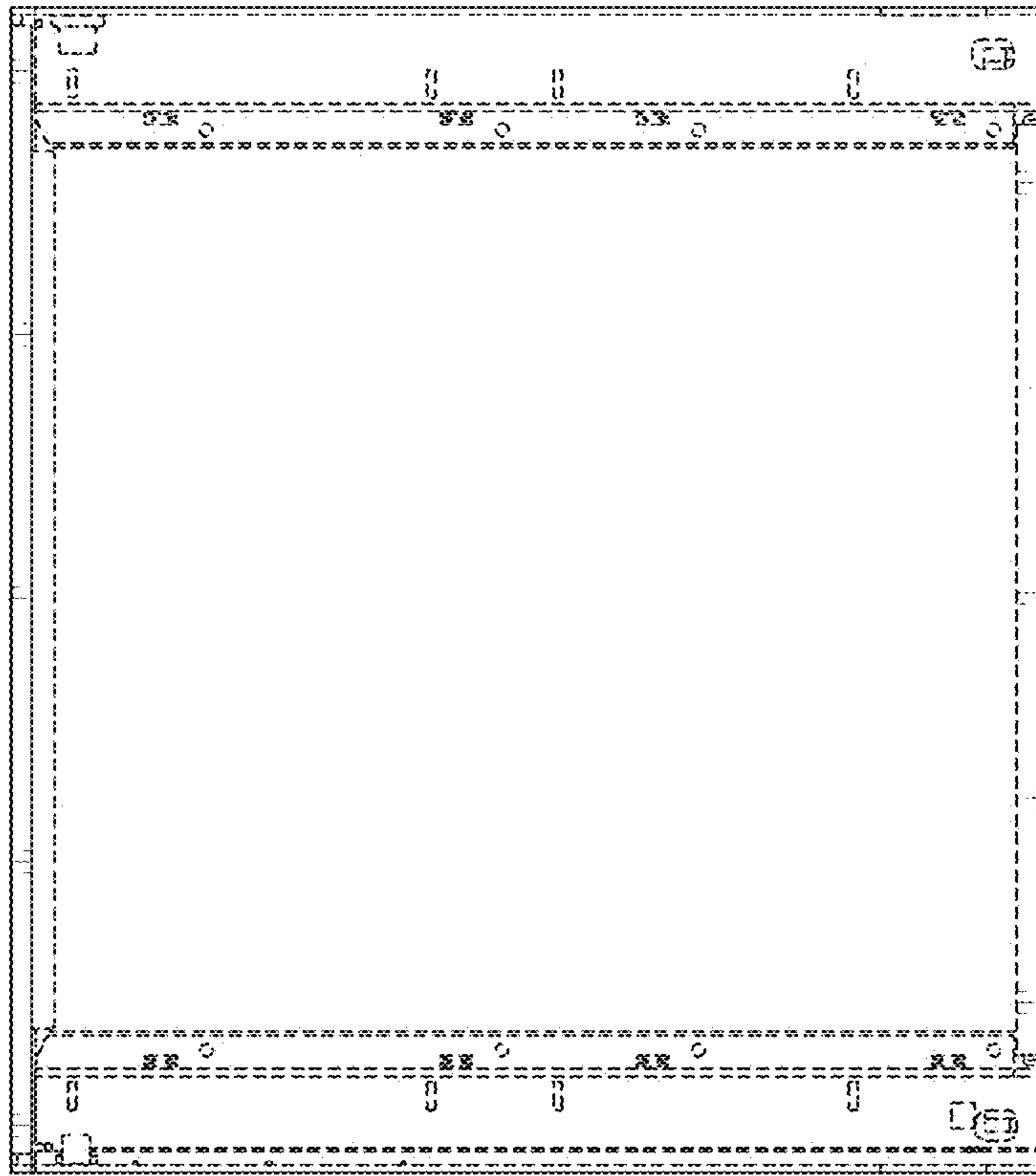




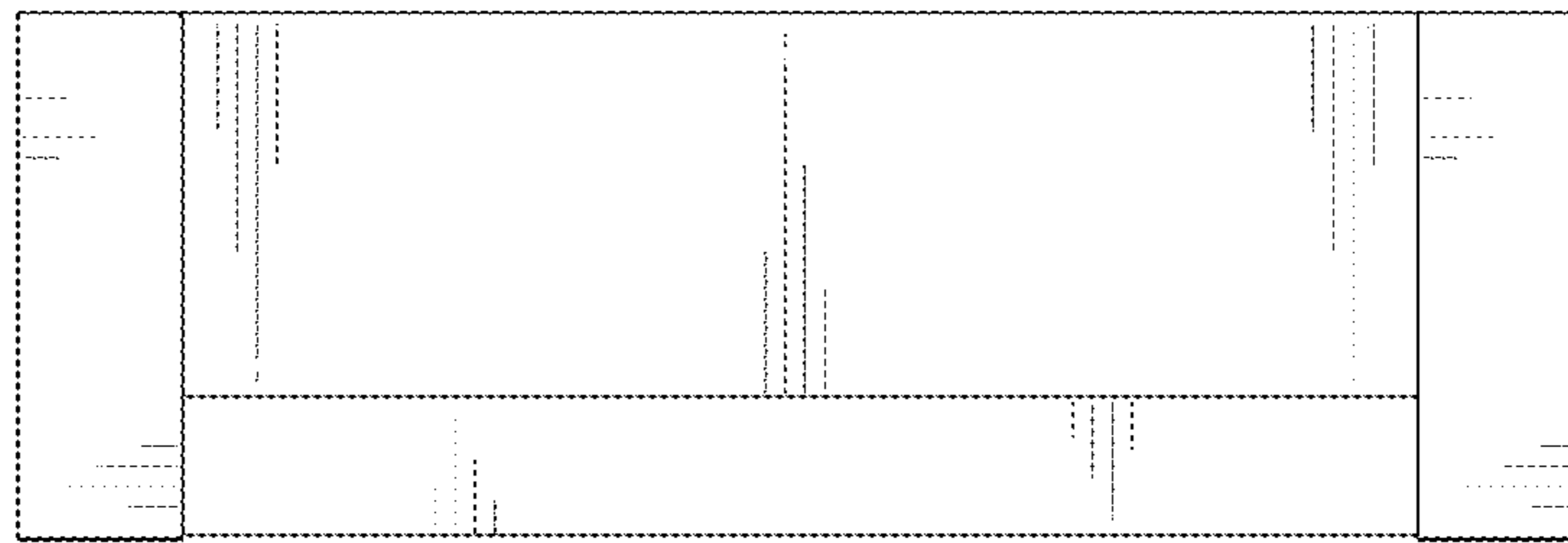
**FIG. 1**



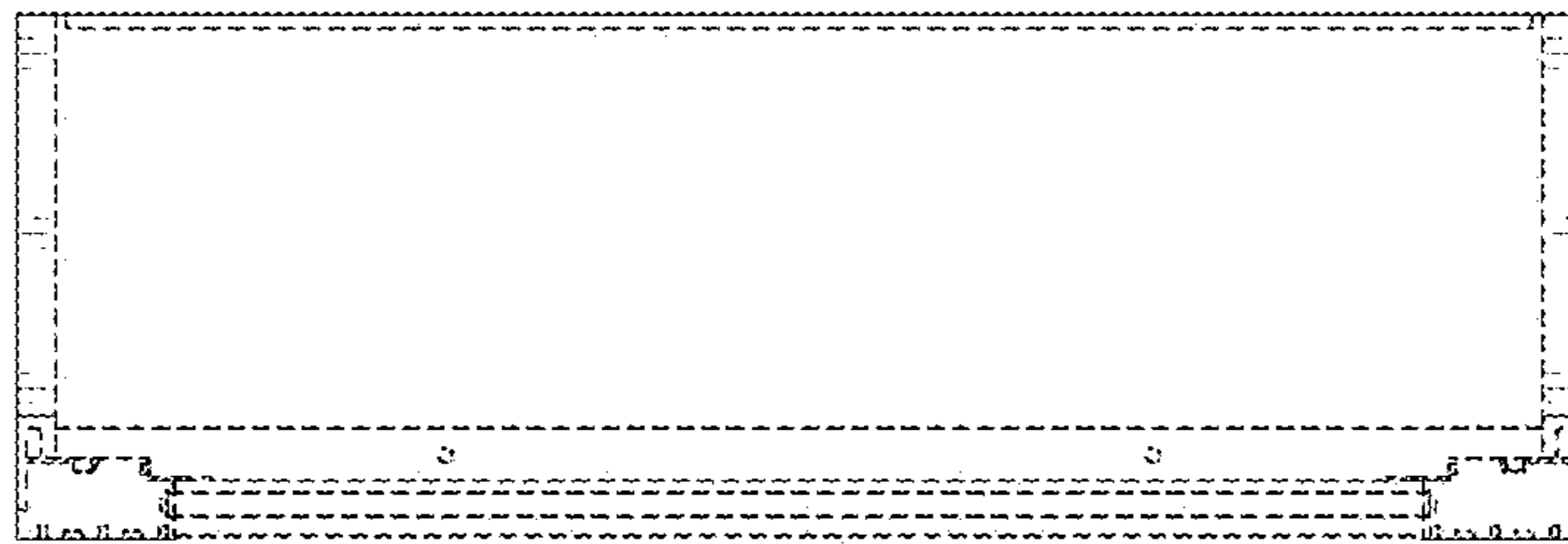
**FIG. 2**



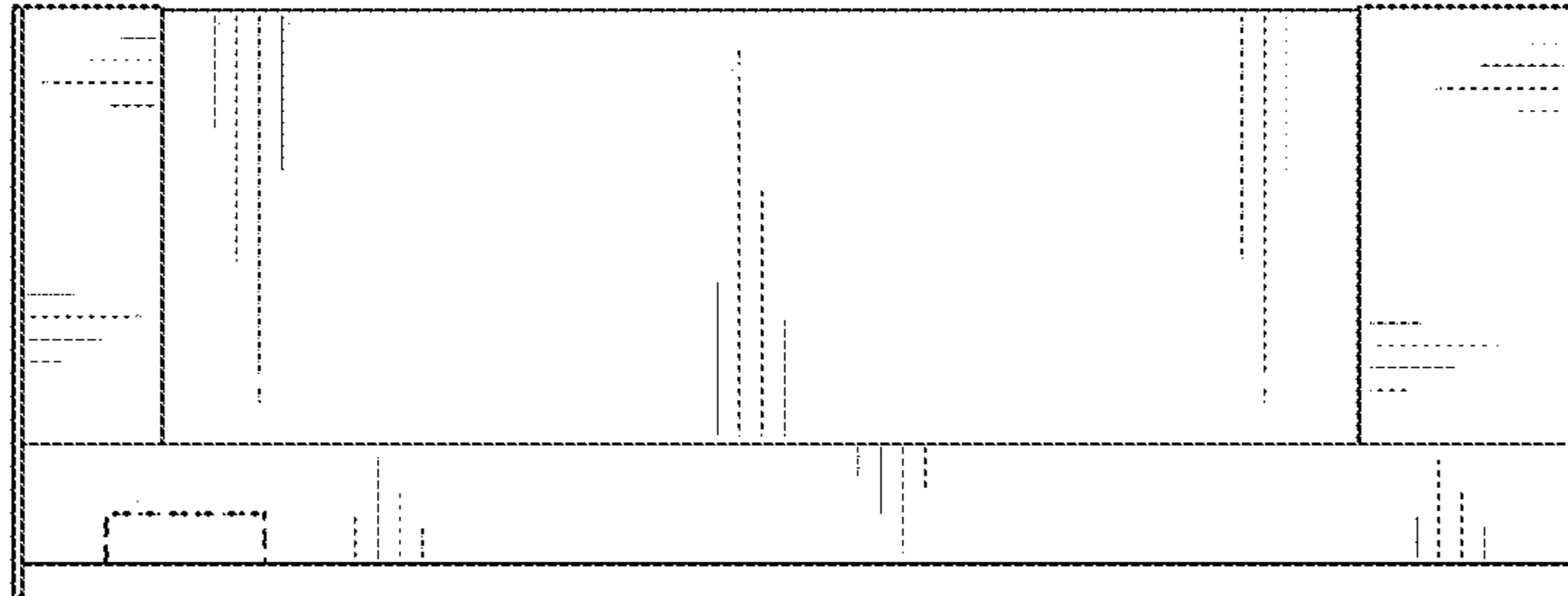
**FIG. 3**



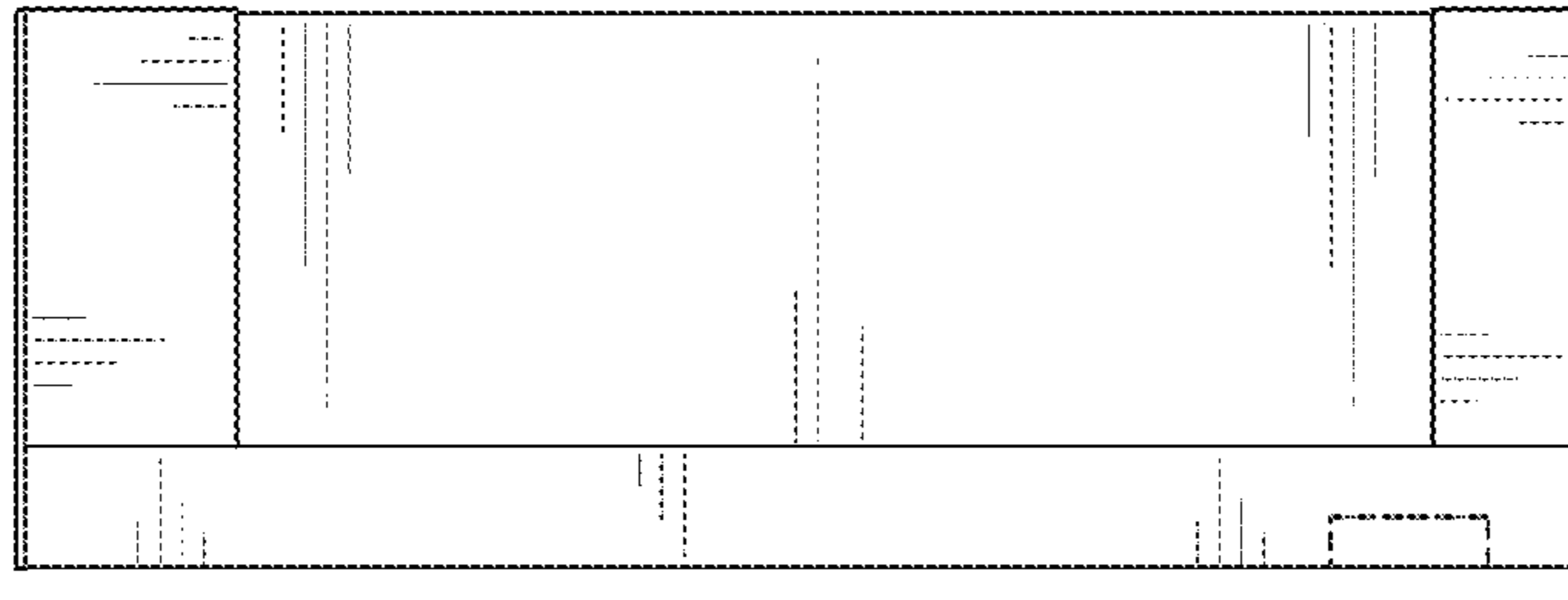
**FIG. 4**



**FIG. 5**



**FIG. 6**



**FIG. 7**