



US00D686013S

(12) **United States Design Patent**  
**Hsiao**

(10) **Patent No.:** **US D686,013 S**  
(45) **Date of Patent:** **\*\* Jul. 16, 2013**

(54) **CHAIR BACK FRAME**

(75) Inventor: **Yun-Cheng Hsiao**, Tainan (TW)

(73) Assignee: **Chia Chi Ya Enterprise Co., Ltd.**,  
Tainan (TW)

(\*\*) Term: **14 Years**

(21) Appl. No.: **29/409,481**

(22) Filed: **Dec. 23, 2011**

(51) **LOC (9) Cl.** ..... **06-01**

(52) **U.S. Cl.**  
USPC ..... **D6/502; D6/366**

(58) **Field of Classification Search**  
USPC ..... D6/334-336, 344-353, 360-381,  
D6/388, 403, 491-502, 692, 708, 716,  
716.2-716.5; 297/16.1, 22, 31, 35, 217.1,  
297/228.12, 239, 256.16, 271.6, 284.4-284.8,  
297/291, 297, 302.4, 411.2, 411.27-411.29,  
297/411.43, 423.1, 423.12, 440.11, 440.15,  
297/440.24, 448.1, 451.4, 452.13, 452.19,  
297/452.21, 452.27, 452.29, 452.3, 452.41,  
297/452.56, 452.64

See application file for complete search history.

(56) **References Cited**

**U.S. PATENT DOCUMENTS**

D507,910 S \* 8/2005 Bock ..... D6/501  
6,945,601 B1 \* 9/2005 Wu ..... 297/284.4

D510,671 S \* 10/2005 Wu ..... D6/502  
7,303,232 B1 \* 12/2007 Chen ..... 297/284.8  
D580,198 S \* 11/2008 Wu ..... D6/502  
D601,830 S \* 10/2009 Egger ..... D6/502  
D641,572 S \* 7/2011 Tsai ..... D6/502  
D645,683 S \* 9/2011 Chen ..... D6/502  
D645,684 S \* 9/2011 Chen ..... D6/502  
D661,916 S \* 6/2012 Chen ..... D6/366  
D673,399 S \* 1/2013 Gu ..... D6/716.4

\* cited by examiner

*Primary Examiner* — Ricky Pham

(74) *Attorney, Agent, or Firm* — Alan Kamrath; Kamrath IP  
Lawfirm, P.A.

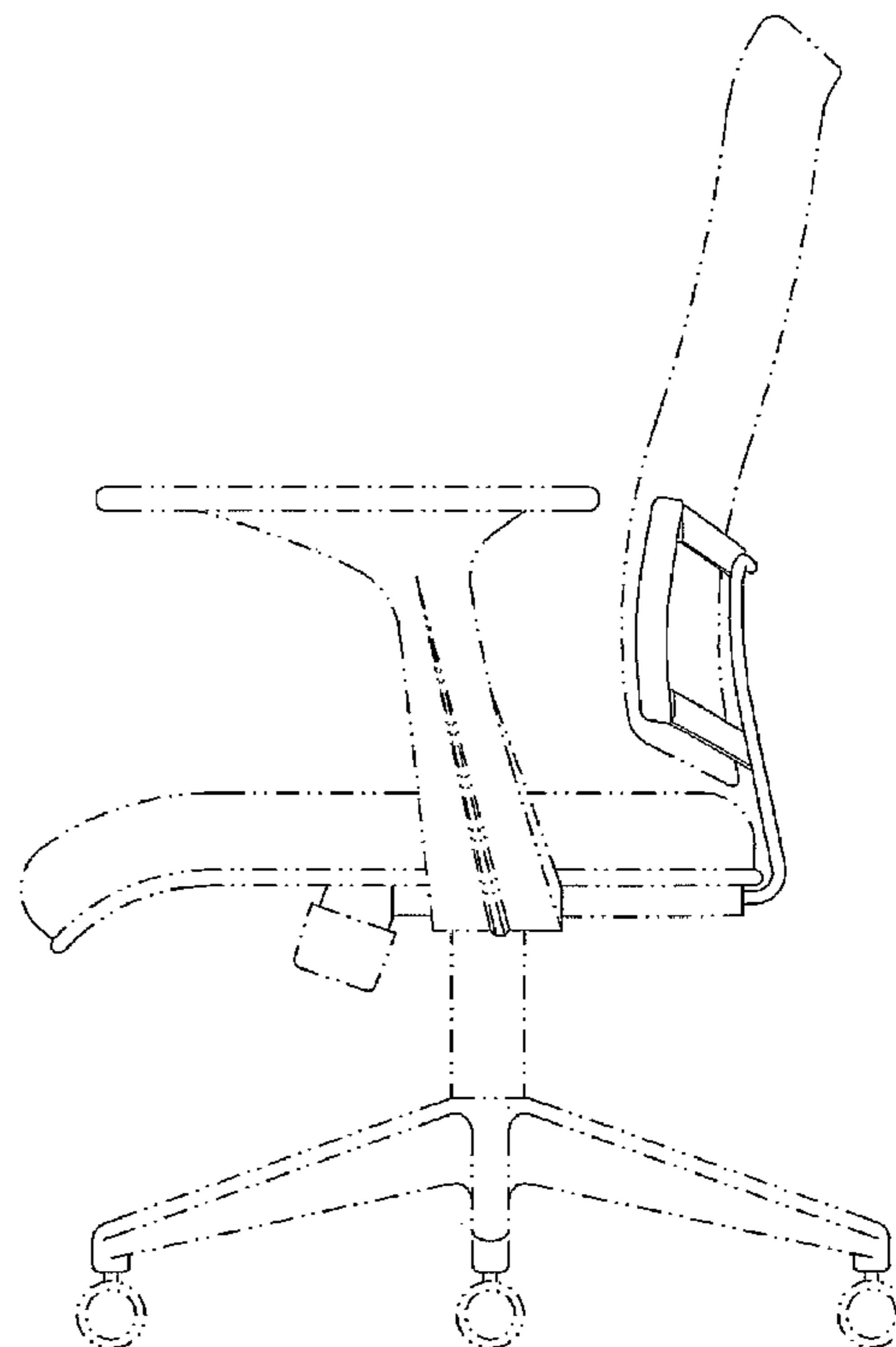
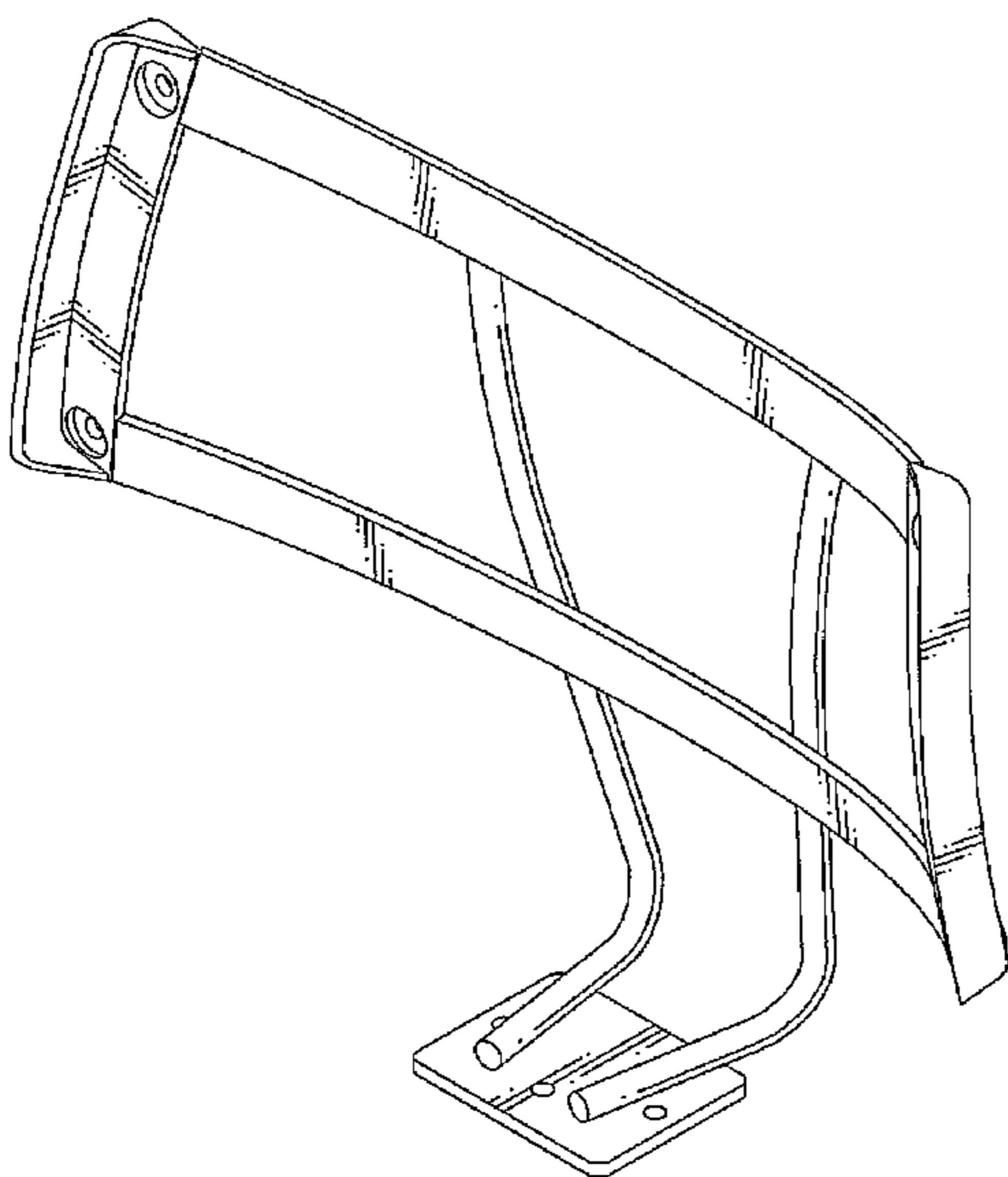
(57) **CLAIM**

The ornamental design for a chair back frame, as shown and  
described.

**DESCRIPTION**

FIG. 1 is a perspective view of a chair back frame, showing  
my new design;  
FIG. 2 is a front view thereof;  
FIG. 3 is a rear view thereof;  
FIG. 4 is a left side view thereof;  
FIG. 5 is a right side view thereof;  
FIG. 6 is a top view thereof;  
FIG. 7 is a bottom view thereof; and,  
FIG. 8 is a right side thereof mounted on a chair.  
Wherein the broken lines are shown for illustrative purposes  
only and form no part of the claimed design.

**1 Claim, 8 Drawing Sheets**



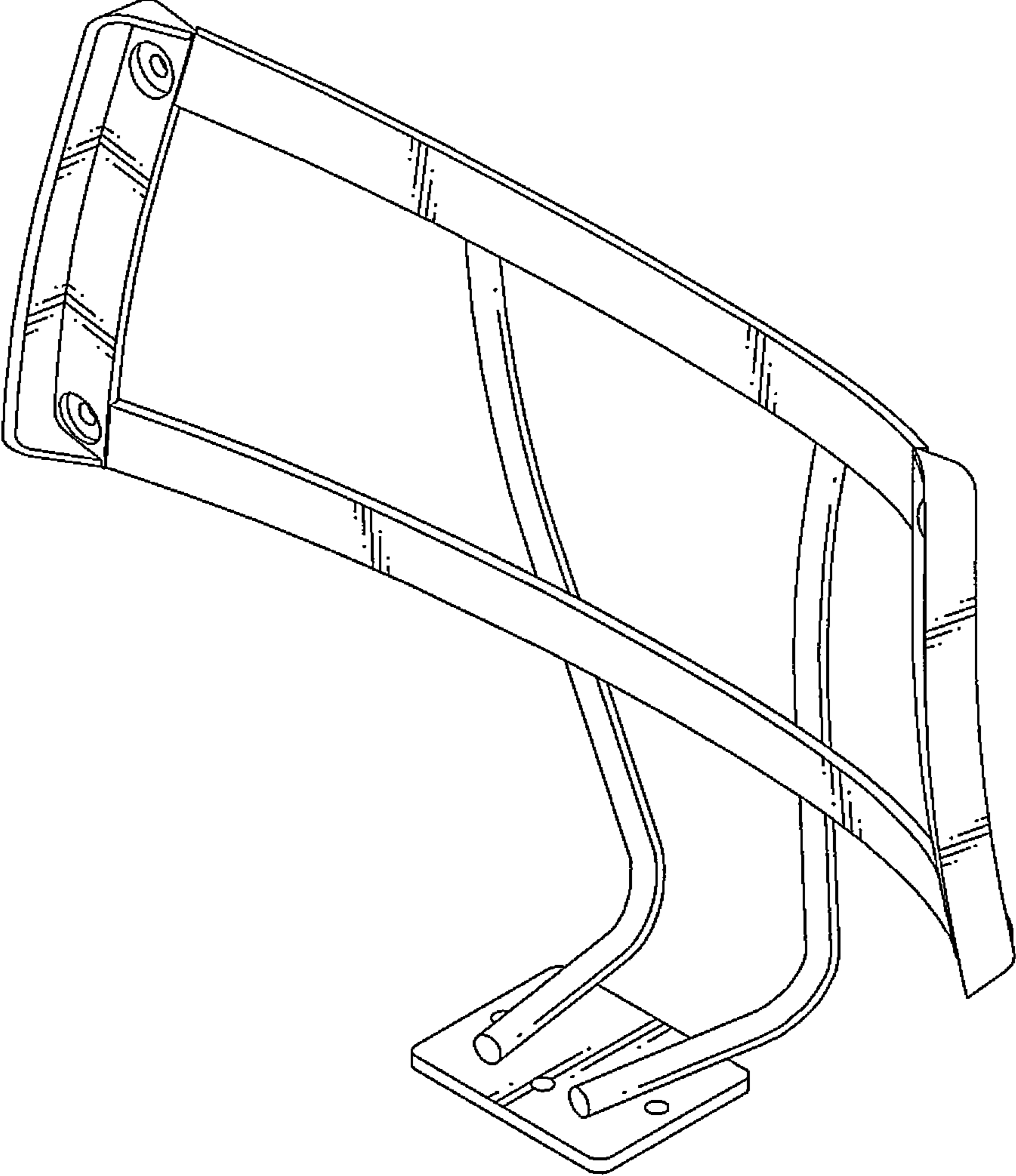


FIG.1

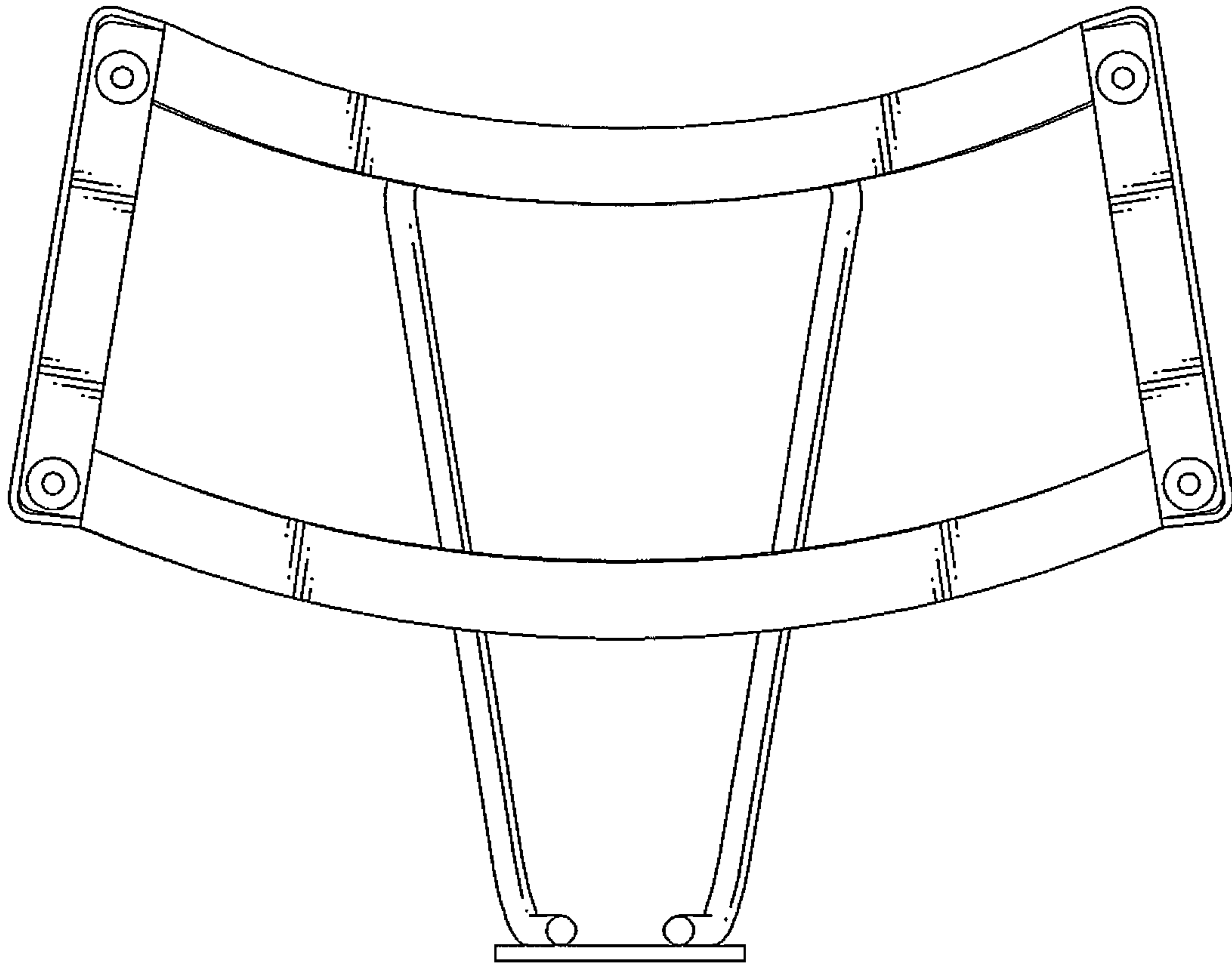


FIG.2

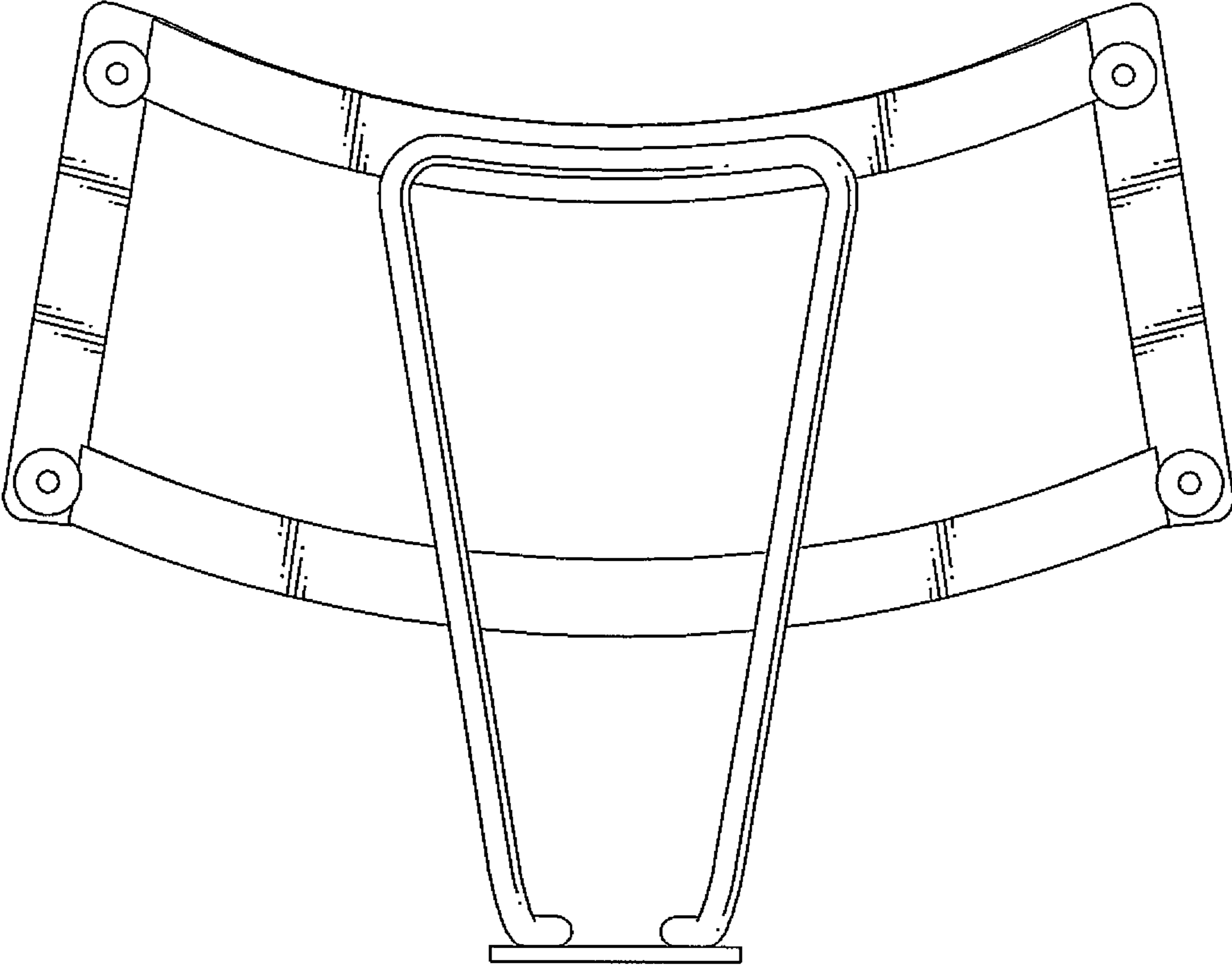


FIG.3

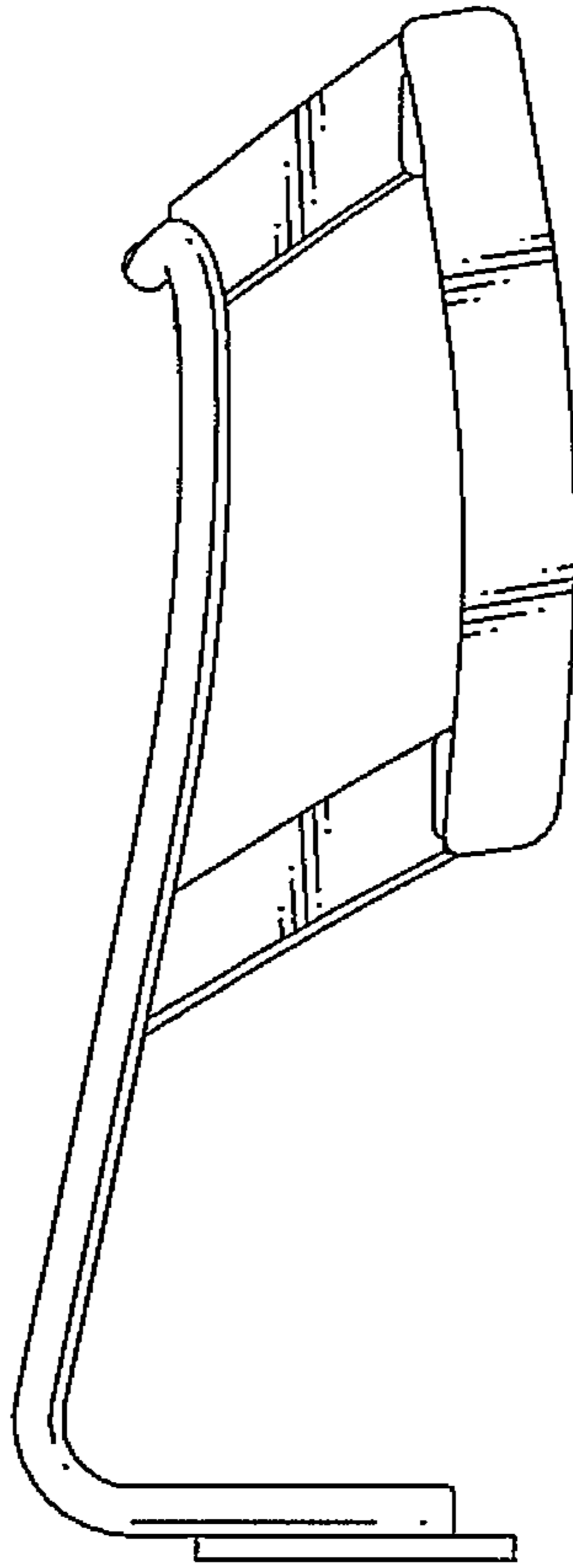


FIG.4

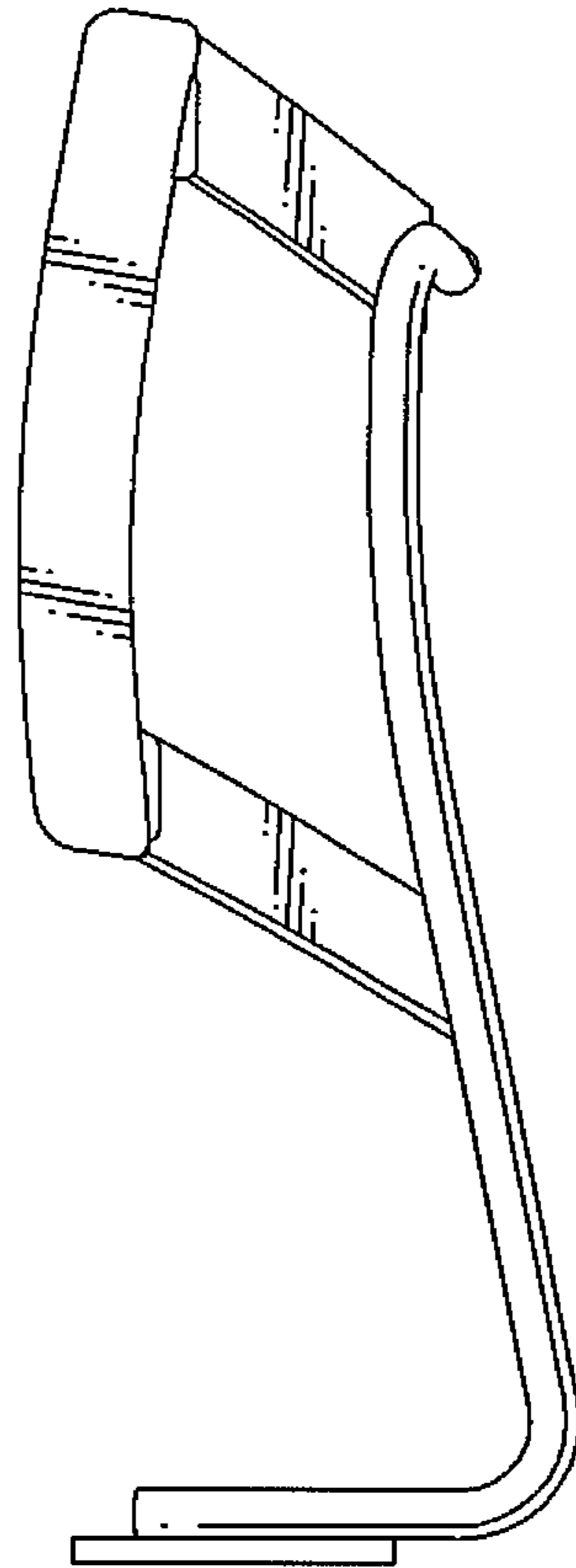


FIG.5

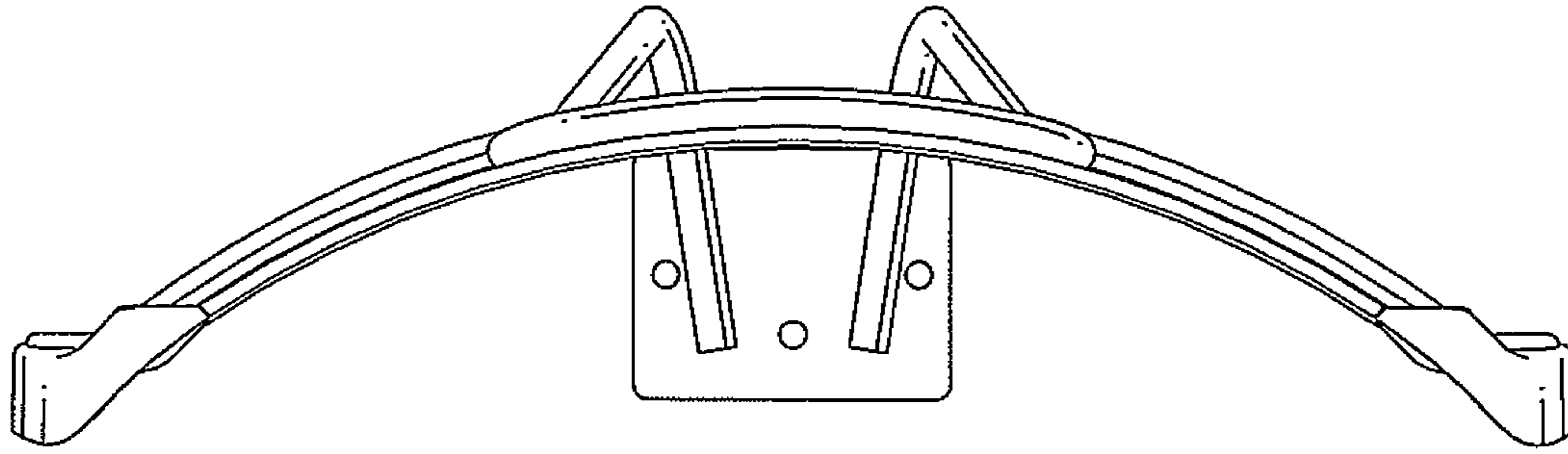


FIG.6

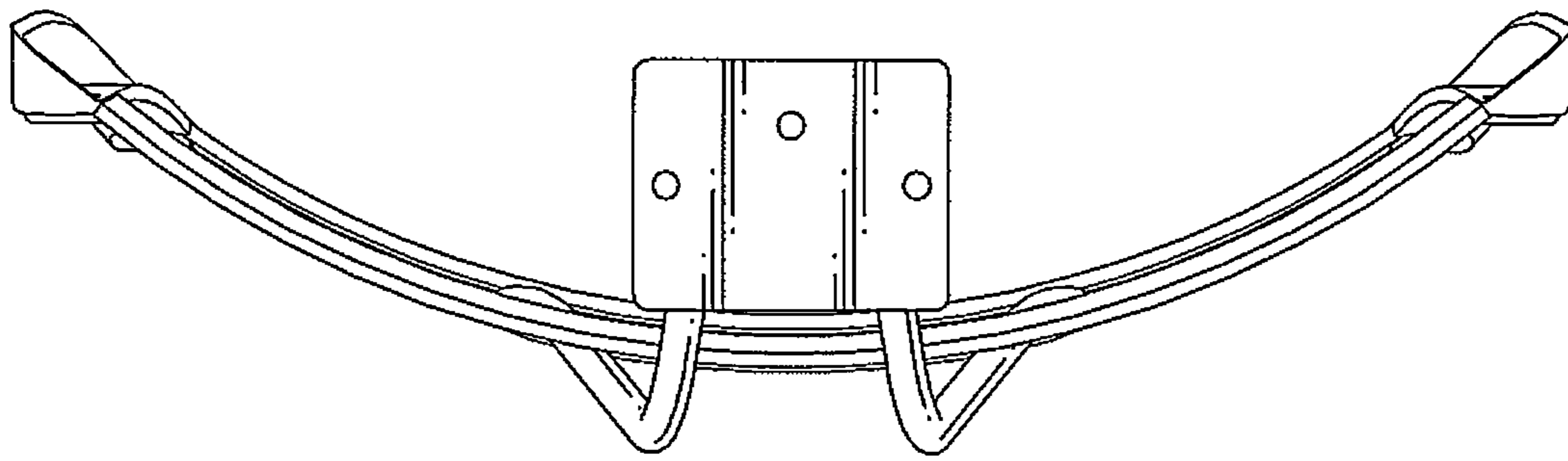


FIG.7



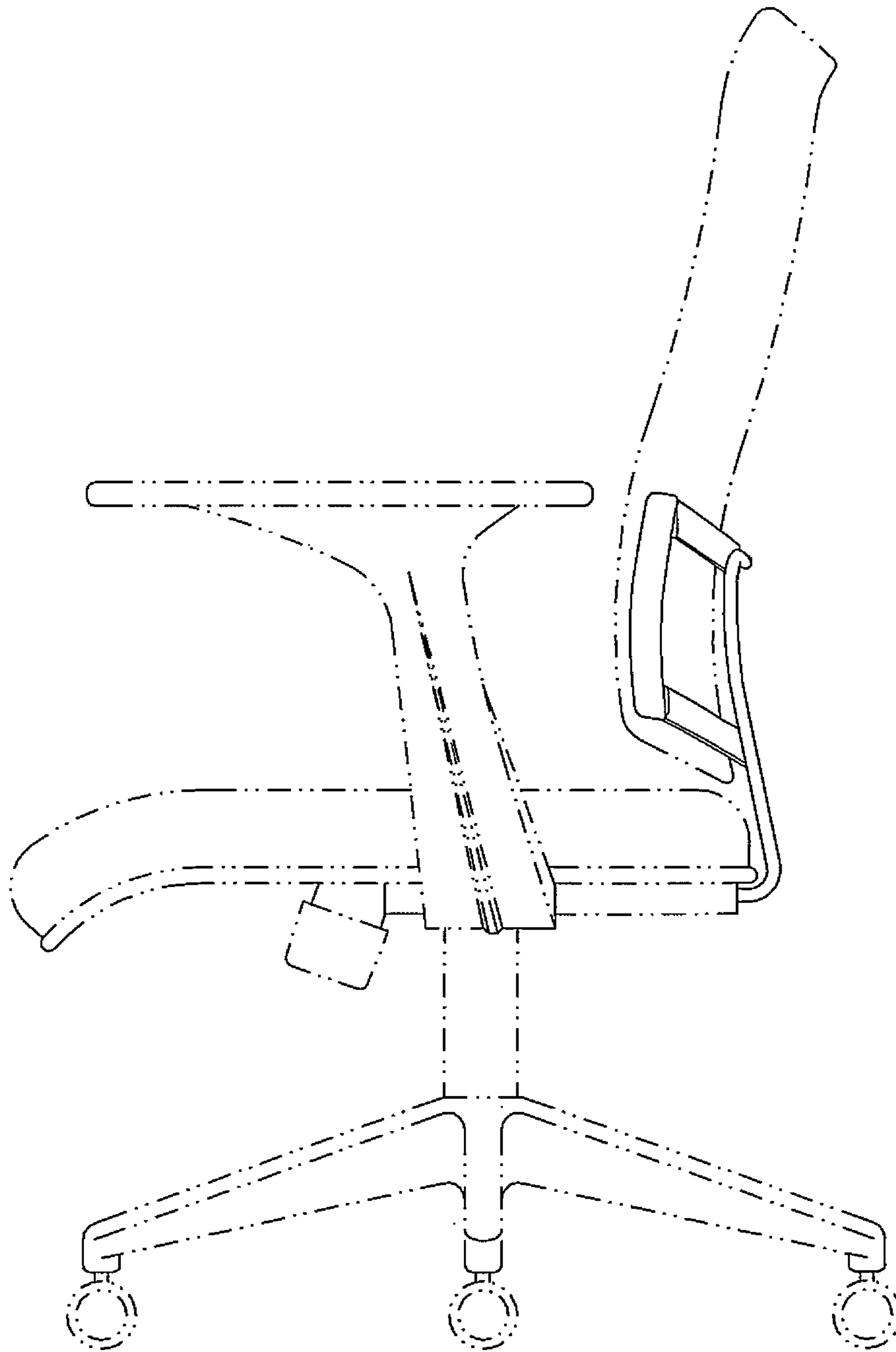


FIG.8