



US00D686011S

(12) **United States Design Patent**
Credle et al.

(10) **Patent No.:** **US D686,011 S**
(45) **Date of Patent:** **** Jul. 16, 2013**

- (54) **CHECKOUT STAND**
- (75) Inventors: **Bennet Gibbon Credle**, Athens, GA (US); **Craig Zadak**, Jasper, GA (US); **Jason Moore**, Kennesaw, GA (US)
- (73) Assignee: **Royston, LLC**, Jasper, GA (US)
- (**) Term: **14 Years**
- (21) Appl. No.: **29/427,336**
- (22) Filed: **Jul. 17, 2012**
- (51) **LOC (9) Cl.** **18-01**
- (52) **U.S. Cl.**
USPC **D6/402**
- (58) **Field of Classification Search**
USPC D6/402; D14/315, 316, 336, 371, D14/373-376; D18/12, 12.2, 12.1, 12.3; D21/324, 329-332, 521; 705/23, 414; 235/383; 186/36, 66
See application file for complete search history.

7,578,440	B2 *	8/2009	Ulrich et al.	235/383
D631,264	S *	1/2011	Kruse	D6/402
D631,676	S *	2/2011	Kruse	D6/402
D648,953	S *	11/2011	Kruse	D6/402
D652,650	S *	1/2012	Kruse	D6/402
2006/0076406	A1 *	4/2006	Ulrich et al.	235/383
2007/0255665	A1 *	11/2007	Oosugi et al.	705/414
2008/0033830	A1 *	2/2008	Ulrich et al.	705/23

* cited by examiner

Primary Examiner — Philip S Hyder
Assistant Examiner — Sydney Buffalow

(74) *Attorney, Agent, or Firm* — Thomas|Horstemeyer, LLP

(57) **CLAIM**

The ornamental design for a checkout stand, as shown and described.

DESCRIPTION

FIG. 1 is a perspective view showing the top view, front view and left side view thereof;
FIG. 2 is a front view thereof;
FIG. 3 is a back view thereof;
FIG. 4 is a left side view thereof;
FIG. 5 is a right side view thereof;
FIG. 6 is a top view thereof; and,
FIG. 7 is a perspective view showing the top view, front view and right side view thereof.

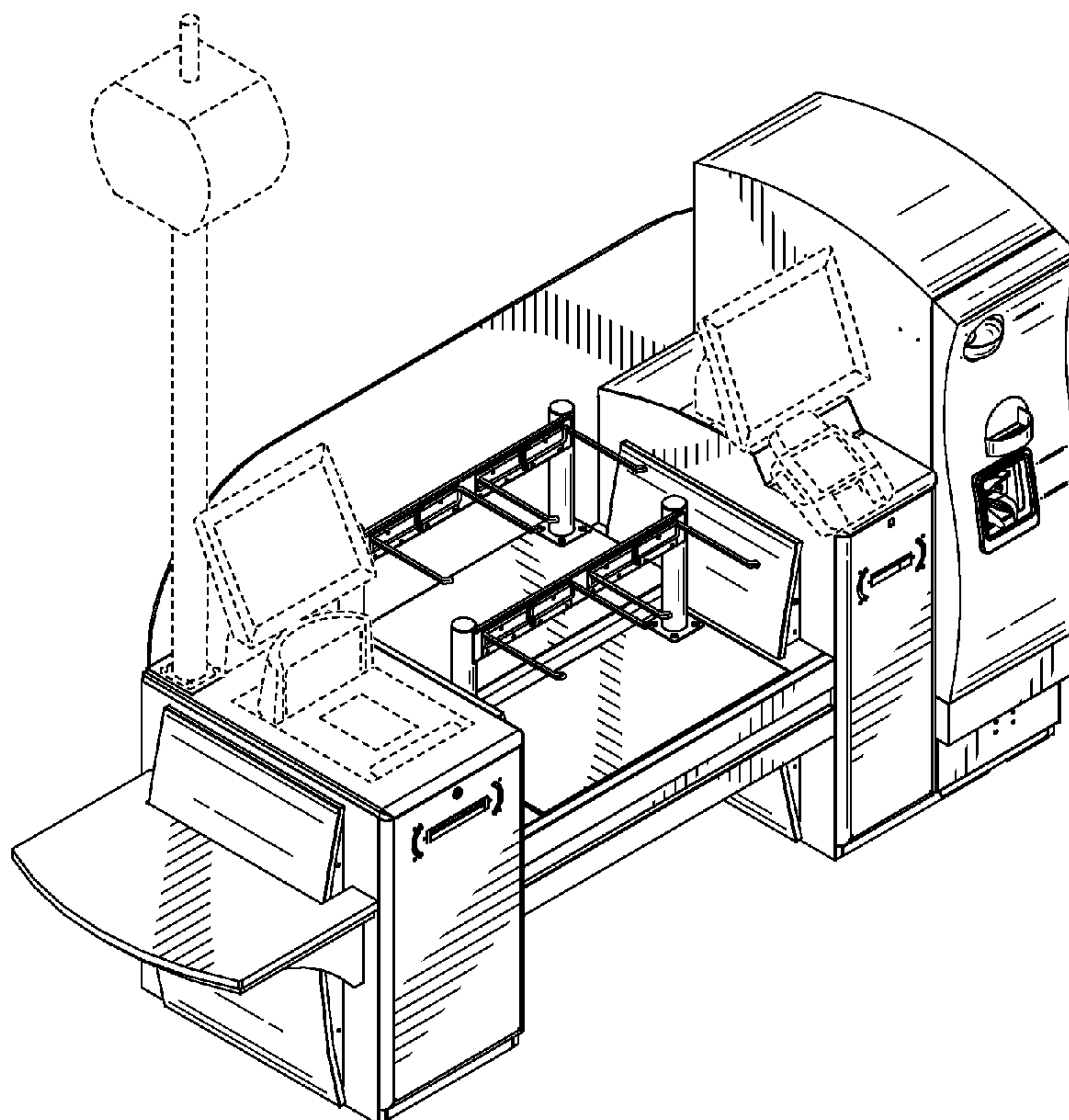
The broken lines shown in the drawings are directed to unclaimed portions of the checkout stand that form no part of the claimed design.

1 Claim, 7 Drawing Sheets

(56) **References Cited**

U.S. PATENT DOCUMENTS

5,992,570	A *	11/1999	Walter et al.	186/36
D529,255	S *	9/2006	Sato	D99/28
D536,192	S *	2/2007	Kruse et al.	D6/402
D558,481	S *	1/2008	Dias	D6/402
D590,626	S *	4/2009	Sato	D6/402



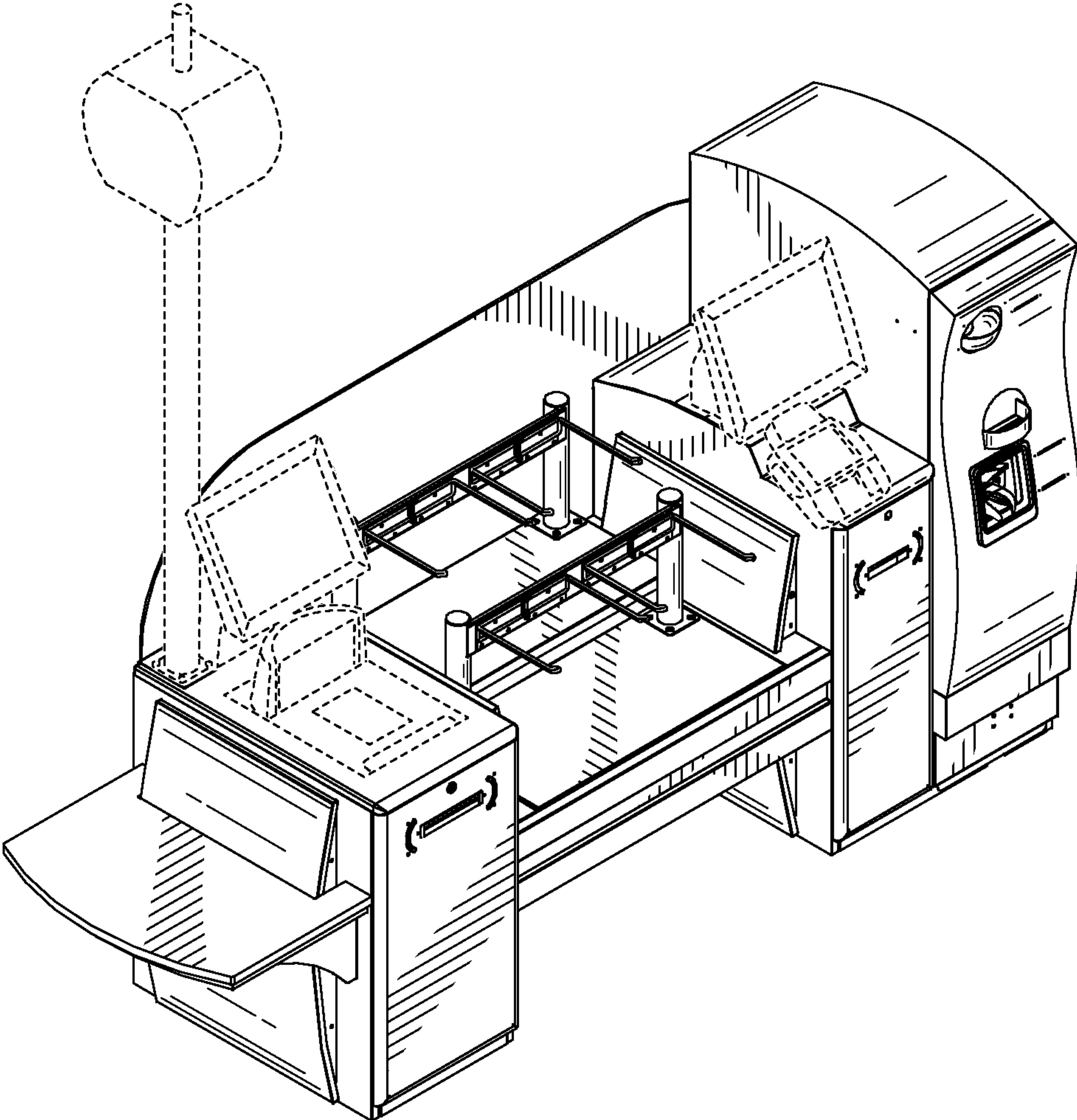


FIG. 1

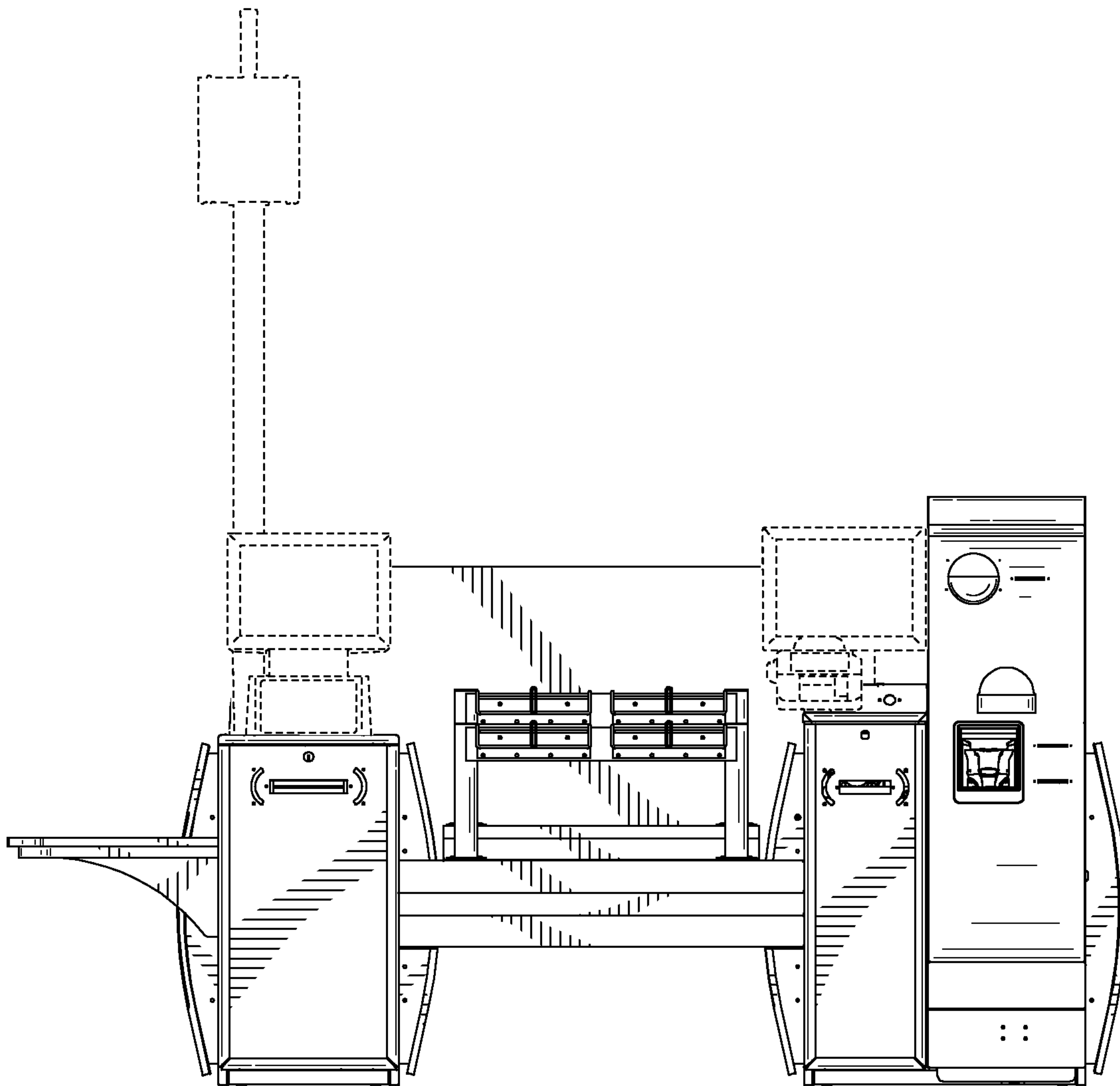


FIG. 2

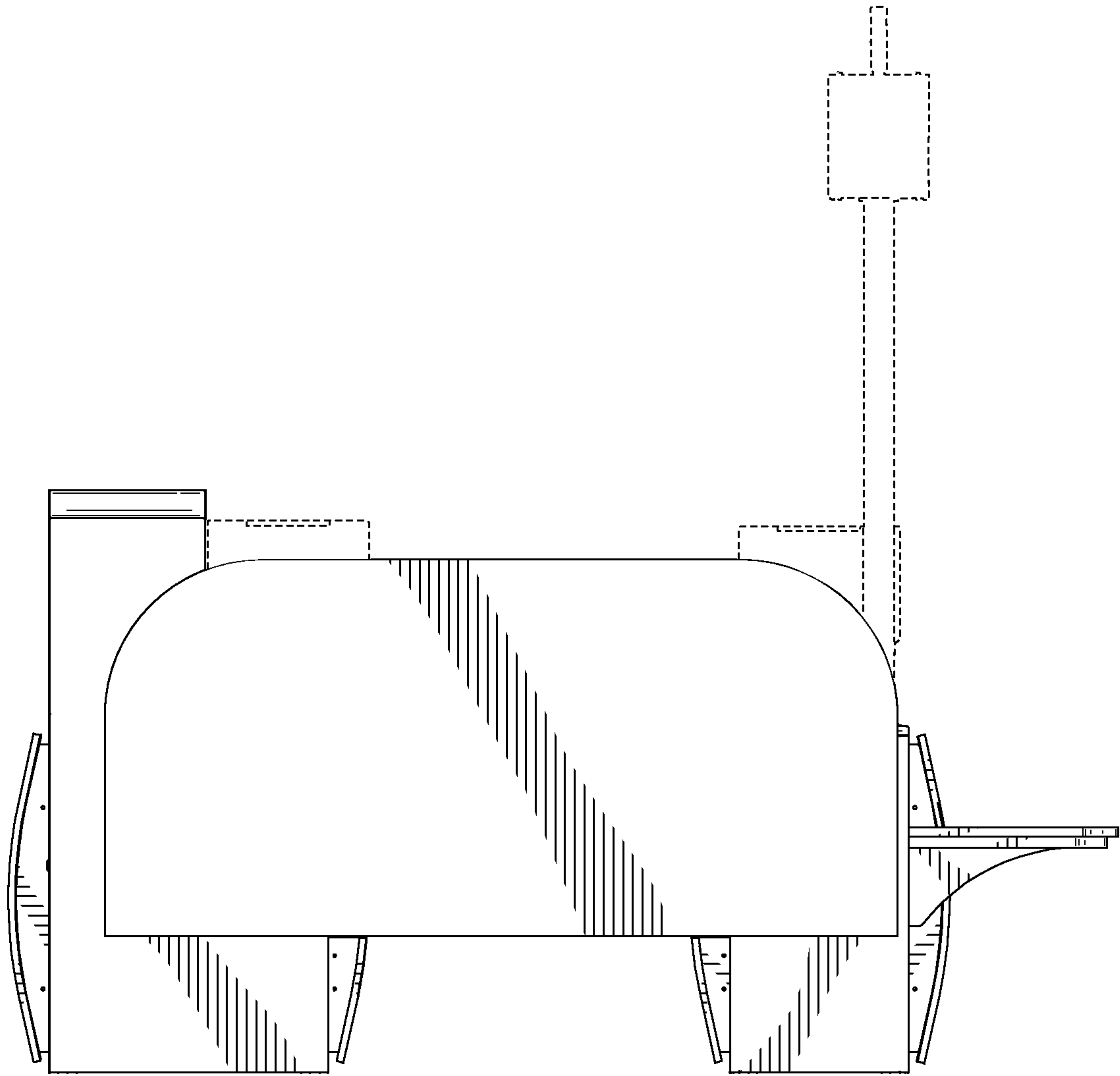


FIG. 3

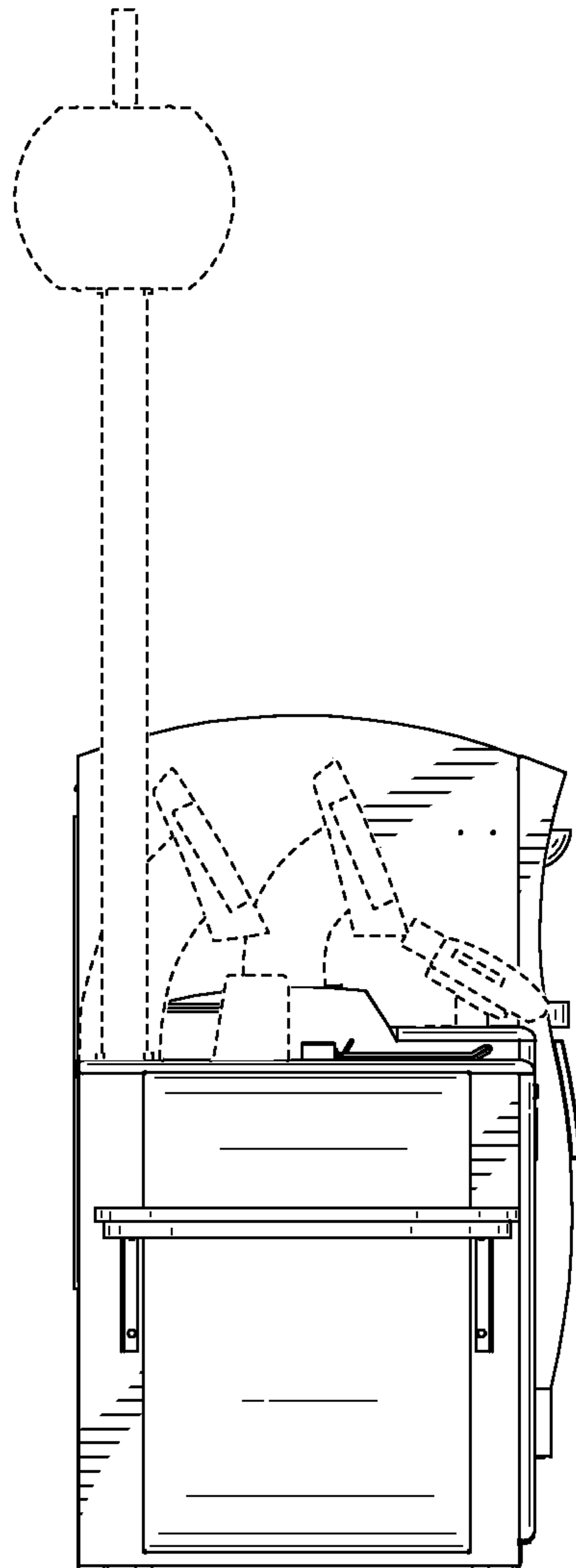


FIG. 4

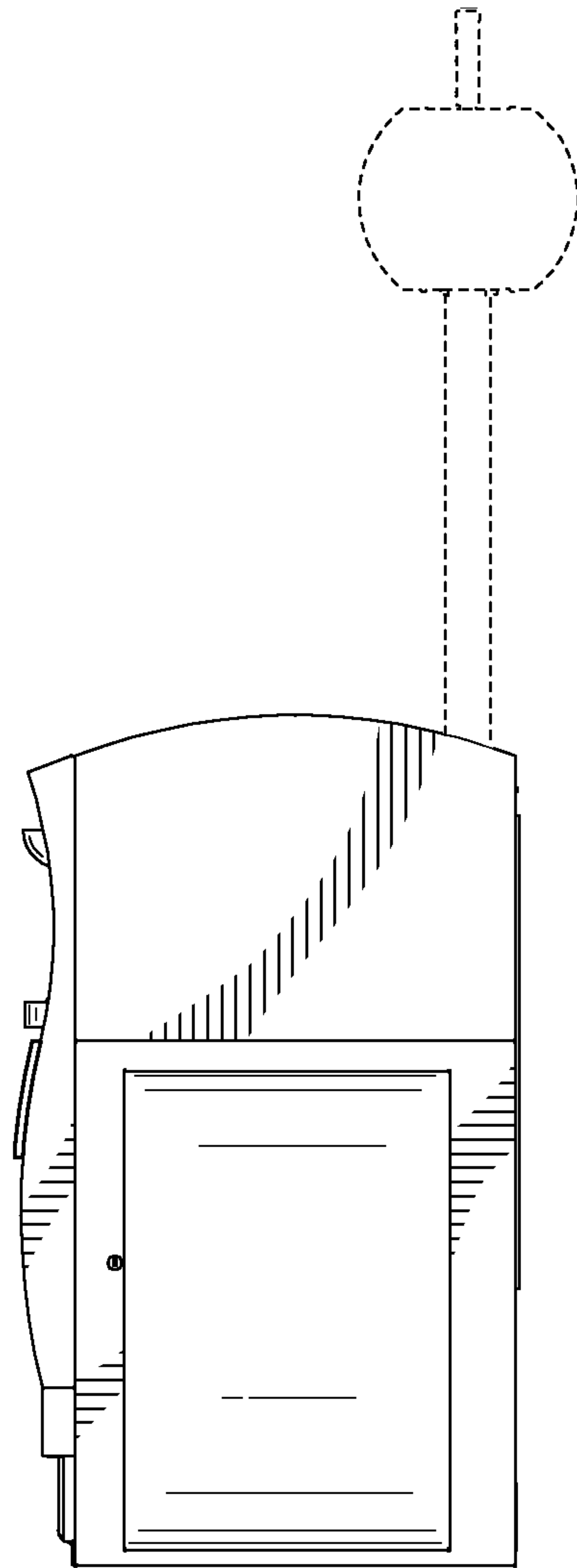


FIG. 5

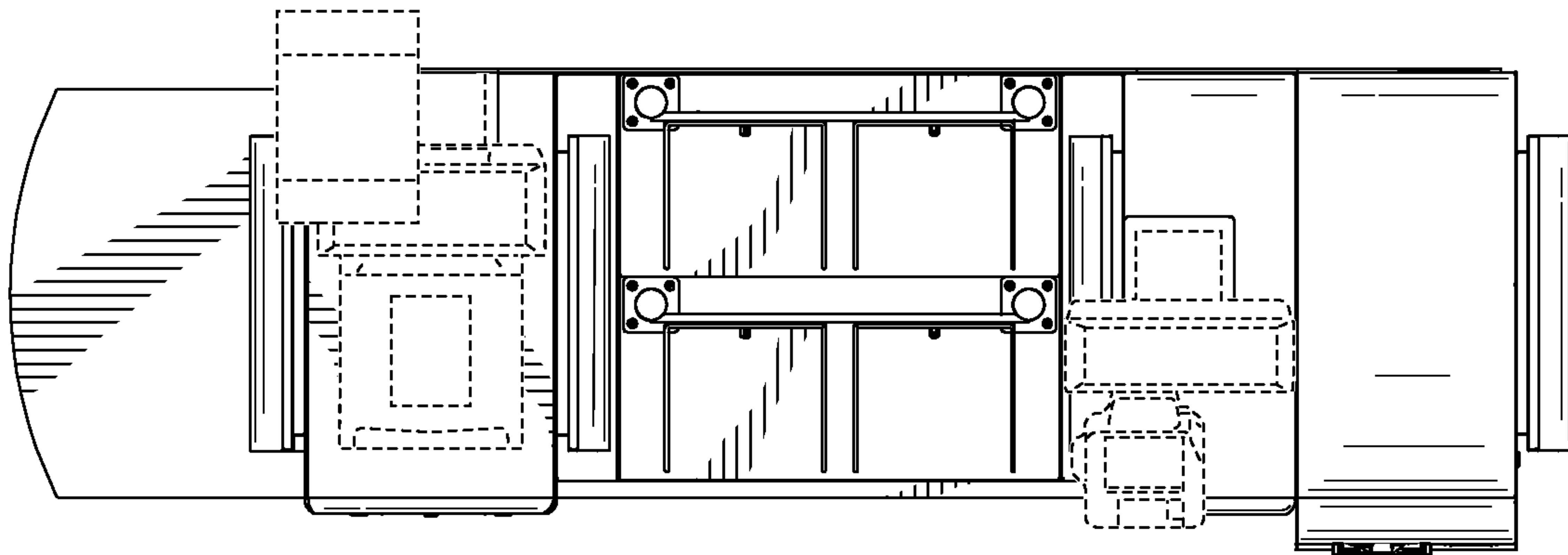


FIG. 6

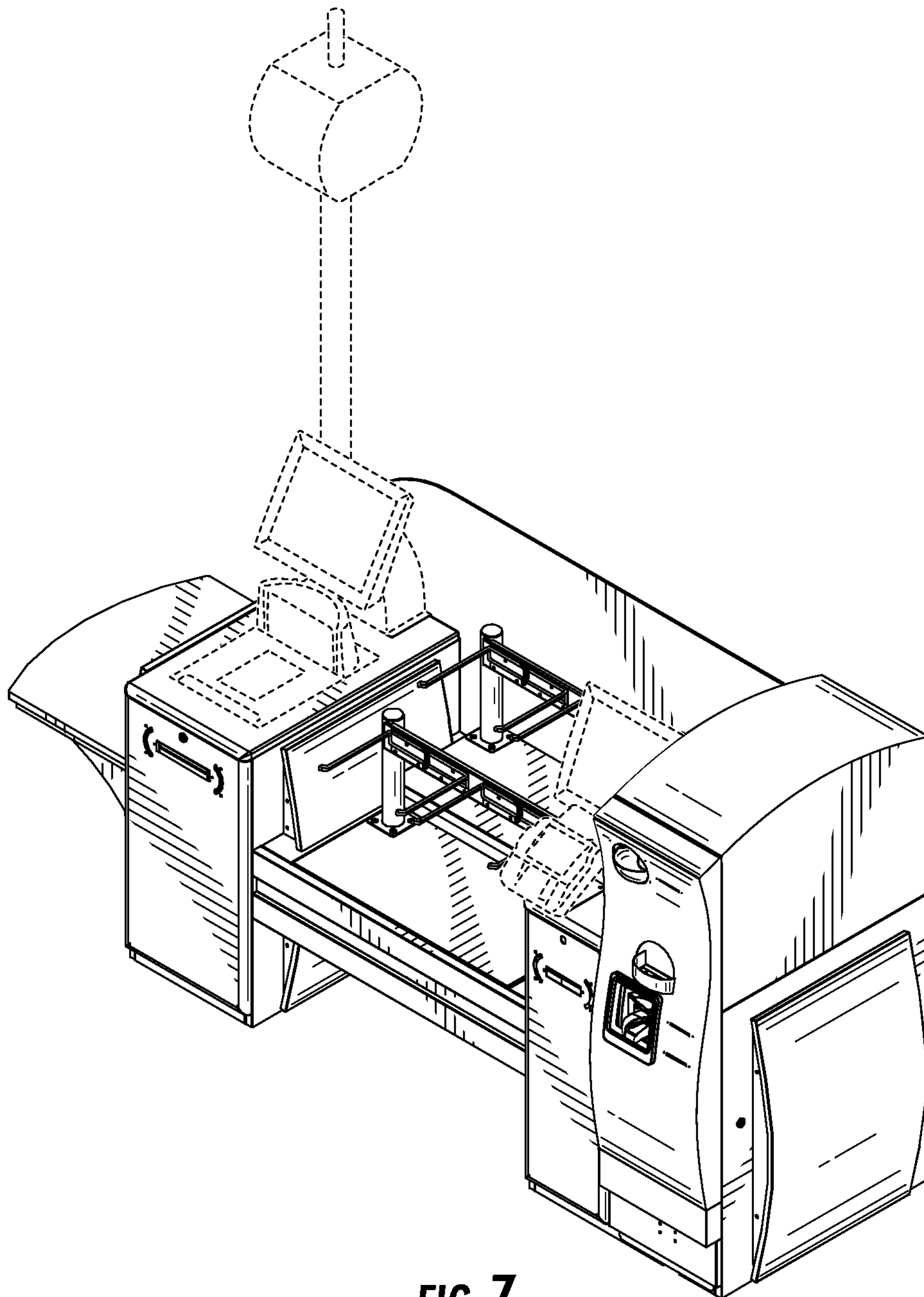


FIG. 7