



US00D686007S

(12) **United States Design Patent**
Johnson et al.

(10) **Patent No.:** **US D686,007 S**
(45) **Date of Patent:** **** Jul. 16, 2013**

(54) **CHAIR**
(75) Inventors: **Mitch Johnson**, South Weber, UT (US);
Frank Clegg, Fruit Heights, UT (US)
(73) Assignee: **Lifetime Products, Inc.**, Clearfield, UT
(US)
(**) Term: **14 Years**
(21) Appl. No.: **29/412,619**
(22) Filed: **Feb. 6, 2012**
(51) **LOC (9) Cl.** **06-01**
(52) **U.S. Cl.**
USPC **D6/368**
(58) **Field of Classification Search**
USPC D6/334–336, 344–349, 360–381,
D6/388, 403, 495–502, 601; 297/16.1, 22,
297/31, 23, 35, 55–58, 239, 256.16,
284.4–284.5, 291, 297, 302.4, 411.2,
411.27–411.29, 411.43, 440.13, 440.15, 451.1,
297/452.13, 452.19, 452.2, 452.21, 452.27,
297/452.29, 452.3, 452.38, 452.41, 452.56,
297/452.64
See application file for complete search history.

D432,805 S * 10/2000 Smith D6/368
6,131,992 A * 10/2000 Chang 297/58
D435,977 S 1/2001 Ambasz
D436,457 S 1/2001 Ambasz
D440,784 S 4/2001 Ambasz
6,234,571 B1 * 5/2001 Atkins et al. 297/16.1
D443,429 S 6/2001 Mower et al.
6,279,991 B1 * 8/2001 Atkins et al. 297/16.1
D452,619 S 1/2002 Piretti
D455,568 S 4/2002 Leng et al.
D457,336 S 5/2002 Leng et al.
D465,665 S 11/2002 Ritchie et al.
D465,940 S * 11/2002 Nien D6/368
D466,712 S 12/2002 Haney et al.
D472,064 S 3/2003 Haney et al.
D472,723 S 4/2003 Haney et al.
D472,745 S 4/2003 Haney et al.

(Continued)

OTHER PUBLICATIONS

U.S. Appl. No. 29/410,145, filed Jan. 4, 2012, Waite et al.

(Continued)

Primary Examiner — Ricky Pham

(74) *Attorney, Agent, or Firm* — Maschoff Brennan

(57) **CLAIM**

The ornamental design for a chair, as shown and described.

(56) **References Cited**

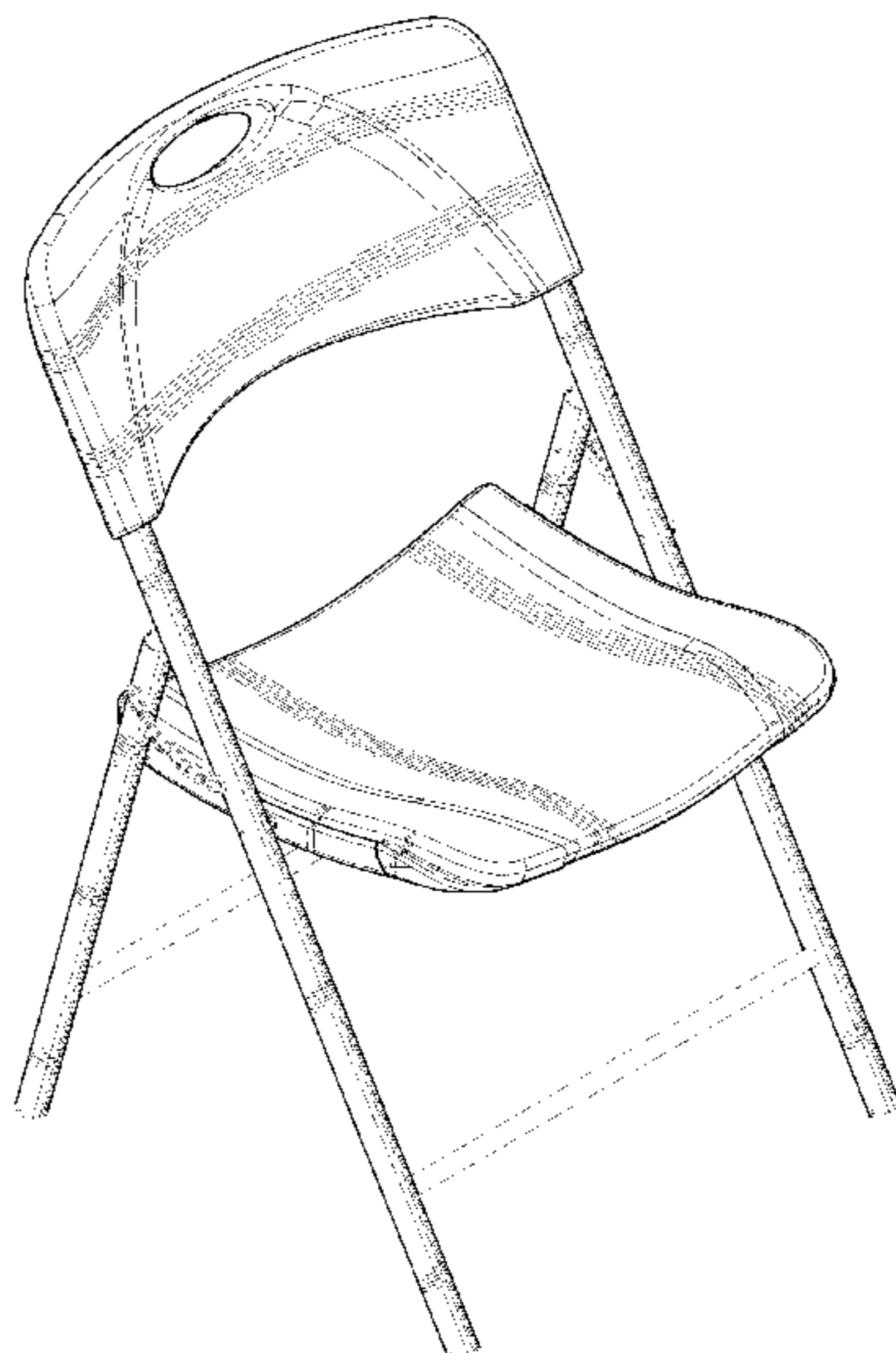
U.S. PATENT DOCUMENTS

D107,545 S 12/1937 O'Connor
2,294,340 A 8/1942 Mains
2,458,095 A 1/1949 O'Connor
3,431,022 A 3/1967 Poppe et al.
D214,267 S 5/1969 Moore et al.
D217,344 S 4/1970 Lindfors
D233,869 S 12/1974 Lopez-Leautaud
5,634,684 A 6/1997 Kojima et al.
5,706,613 A 1/1998 Drake et al.
D418,322 S 1/2000 Hock
6,027,171 A 2/2000 Partington et al.
6,036,272 A 3/2000 Samples et al.

DESCRIPTION

FIG. 1 is an upper perspective view of an exemplary chair;
FIG. 2 is a front view of the chair;
FIG. 3 is a rear view of the chair;
FIG. 4 is a left side view of the chair;
FIG. 5 is a right side view of the chair;
FIG. 6 is a top view of the chair; and,
FIG. 7 is a bottom view of the chair.
The broken lines shown in the figures are for illustrative
purposes only and form no part of the claimed design.

1 Claim, 4 Drawing Sheets



US D686,007 S

Page 2

U.S. PATENT DOCUMENTS

D473,059	S	4/2003	Haney et al.	
6,543,842	B2	4/2003	Haney	
D475,544	S	6/2003	Chadwick et al.	
D476,162	S	6/2003	Finazzi	
D477,470	S	7/2003	Haney et al.	
D477,926	S	8/2003	Haney et al.	
D477,939	S	8/2003	Haney et al.	
D481,549	S *	11/2003	Turner et al.	D6/368
D481,550	S	11/2003	Astle	
D482,540	S	11/2003	Ashby	
D482,543	S	11/2003	Haney et al.	
6,669,281	B1 *	12/2003	Huang	297/58
D489,192	S	5/2004	Jin et al.	
D495,891	S	9/2004	Ambasz	
D498,071	S	11/2004	Ashby et al.	
D501,613	S	2/2005	Kaltenmark et al.	
6,871,906	B2	3/2005	Haney	
D505,800	S	6/2005	Lucci et al.	
D505,801	S	6/2005	Cesaroni et al.	
D506,325	S	6/2005	Farber et al.	
D506,880	S *	7/2005	Cantarutti	D6/368
D507,425	S	7/2005	Ashby et al.	
D508,339	S	8/2005	Astle	
D513,456	S *	1/2006	Smith	D6/380
7,014,261	B2	3/2006	Haney	
7,017,986	B2	3/2006	Degen et al.	
D519,292	S	4/2006	Ashby	
7,036,888	B2 *	5/2006	Yang et al.	297/452.2
D523,254	S	6/2006	Nye et al.	
D544,225	S	6/2007	Cantarutti	
7,293,826	B2 *	11/2007	Lu et al.	297/58
7,452,035	B2	11/2008	Astle et al.	

D582,171	S *	12/2008	Cramer et al.	D6/368
D599,127	S *	9/2009	Smith	D6/368
D600,935	S *	9/2009	Koh	D6/376
7,717,511	B2 *	5/2010	Huang	297/239
7,753,439	B2 *	7/2010	Akkad	297/23
7,784,861	B1 *	8/2010	Deng	297/23
8,033,598	B2 *	10/2011	Smith et al.	297/55
8,033,612	B2 *	10/2011	Smith et al.	297/452.21
D647,718	S *	11/2011	Chen	D6/368
D648,554	S *	11/2011	Smith	D6/368
D653,471	S *	2/2012	Chan	D6/368
D655,932	S *	3/2012	Ashby et al.	D6/368
D667,649	S *	9/2012	Waite et al.	D6/368
8,322,787	B2 *	12/2012	Smith	297/239
2001/0033100	A1	10/2001	Haney	
2003/0127887	A1 *	7/2003	Laws et al.	297/55
2003/0168894	A1	9/2003	Lin	
2004/0239153	A1	12/2004	Leng	
2005/0104421	A1	5/2005	Astle et al.	
2005/0121947	A1	6/2005	Haney	
2007/0257524	A1	11/2007	Huang	
2009/0146467	A1	6/2009	Waite et al.	

OTHER PUBLICATIONS

U.S. Appl. No. 29/394,086, filed Jun. 13, 2011, Ashby et al.
 U.S. Appl. No. 12/327,678, filed Dec. 3, 2008, Waite et al.
 U.S. Appl. No. 60/975,788, filed Sep. 27, 2007, vanNimwegen et al.
 U.S. Appl. No. 60/094,759, filed Sep. 5, 2008, vanNimwegen et al.
 U.S. Appl. No. 61/239,736, filed Sep. 3, 2010, vanNimwegen et al.
 International Search Report and Written Opinion from PCT International Application No. PCT/US2008/085564, dated Aug. 19, 2009.

* cited by examiner

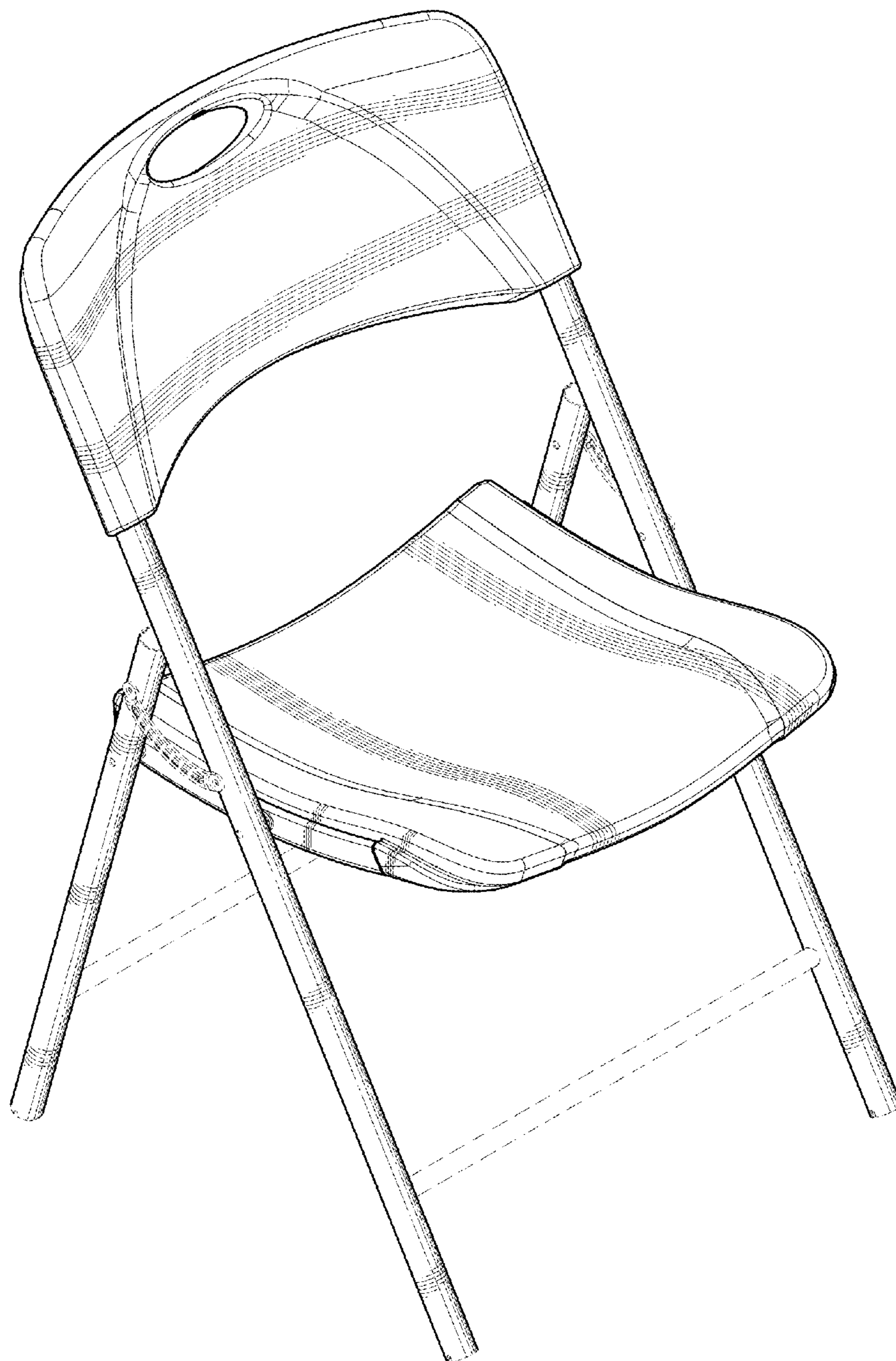


Fig. 1

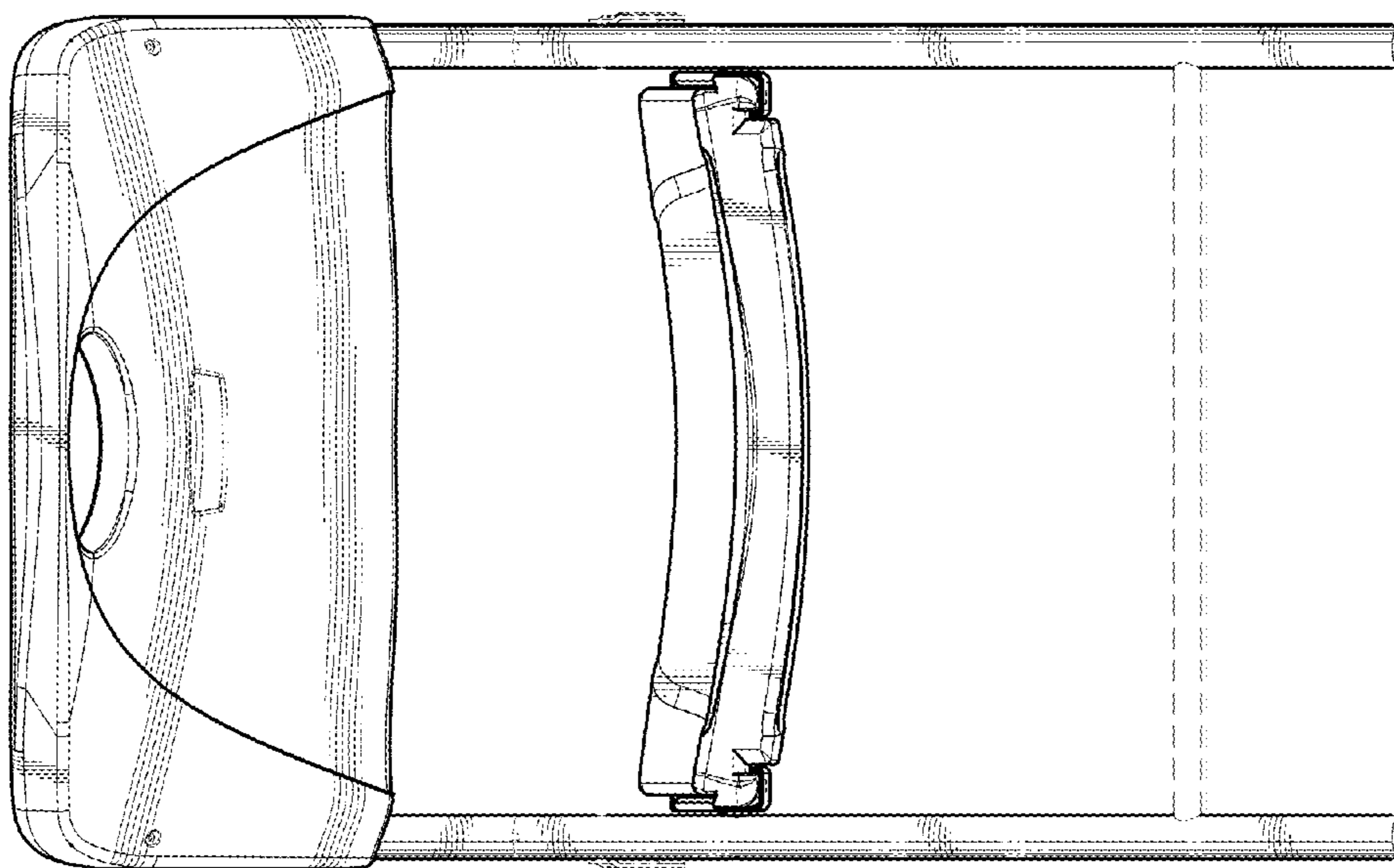


Fig. 3

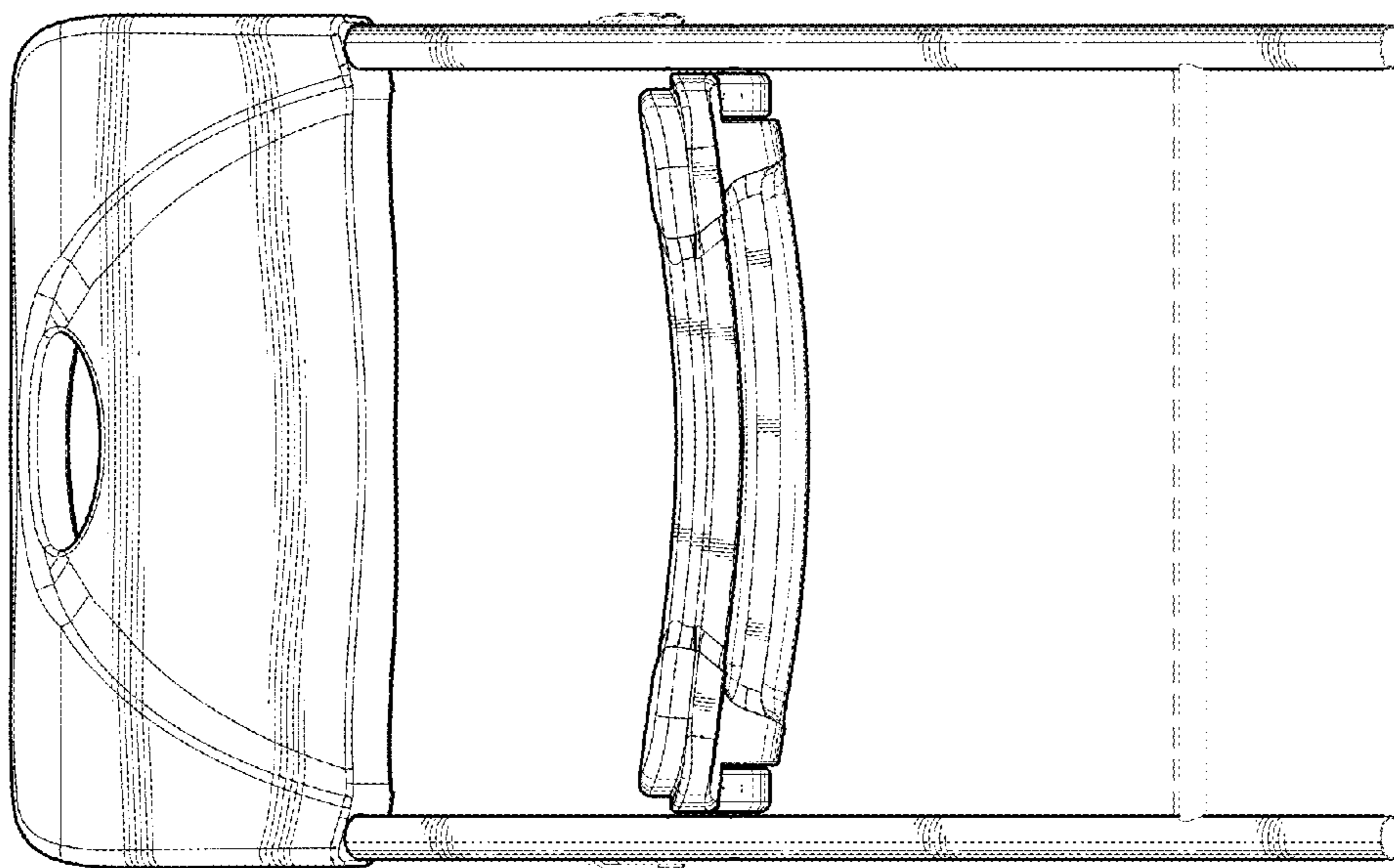


Fig. 2

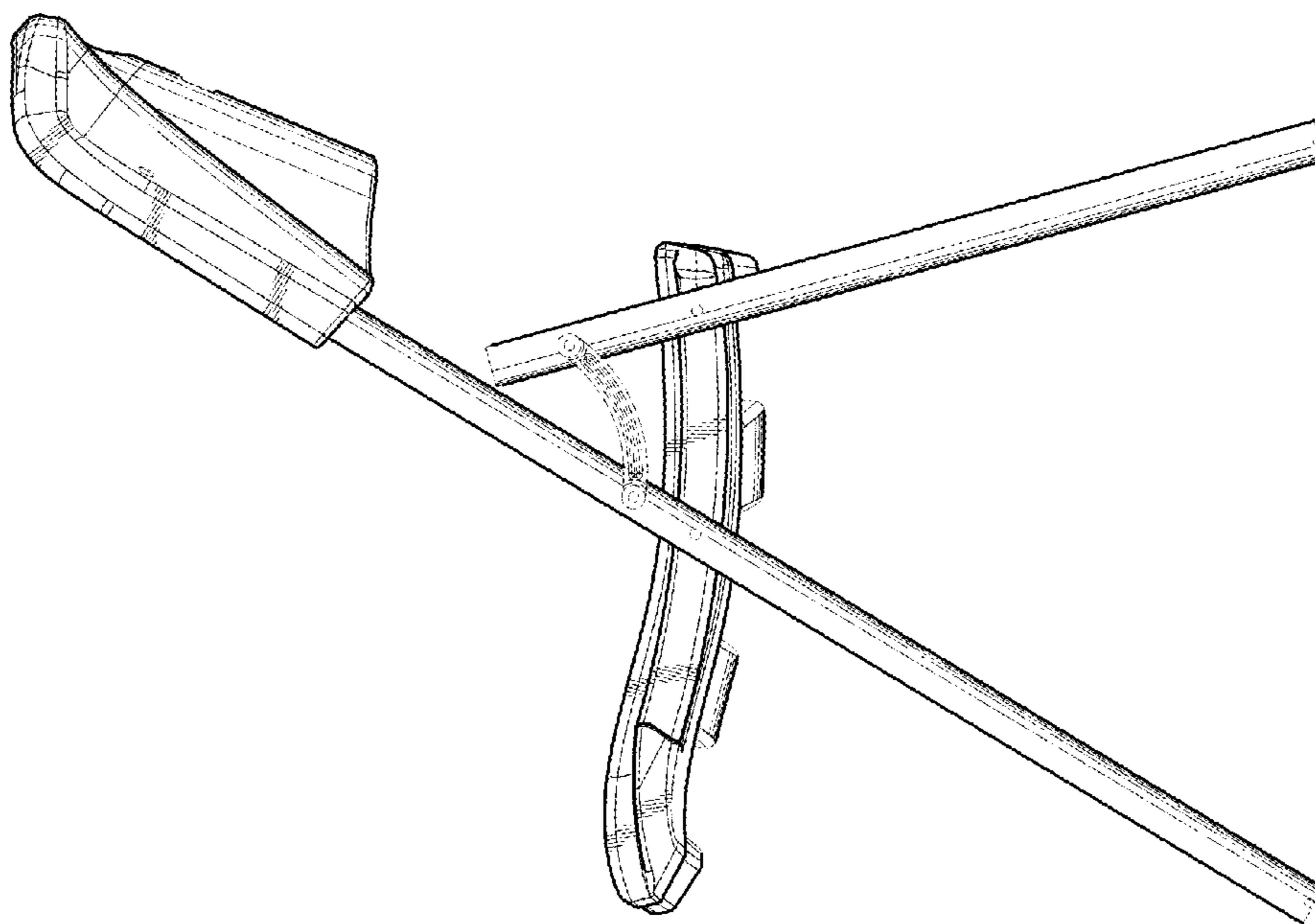


Fig. 5

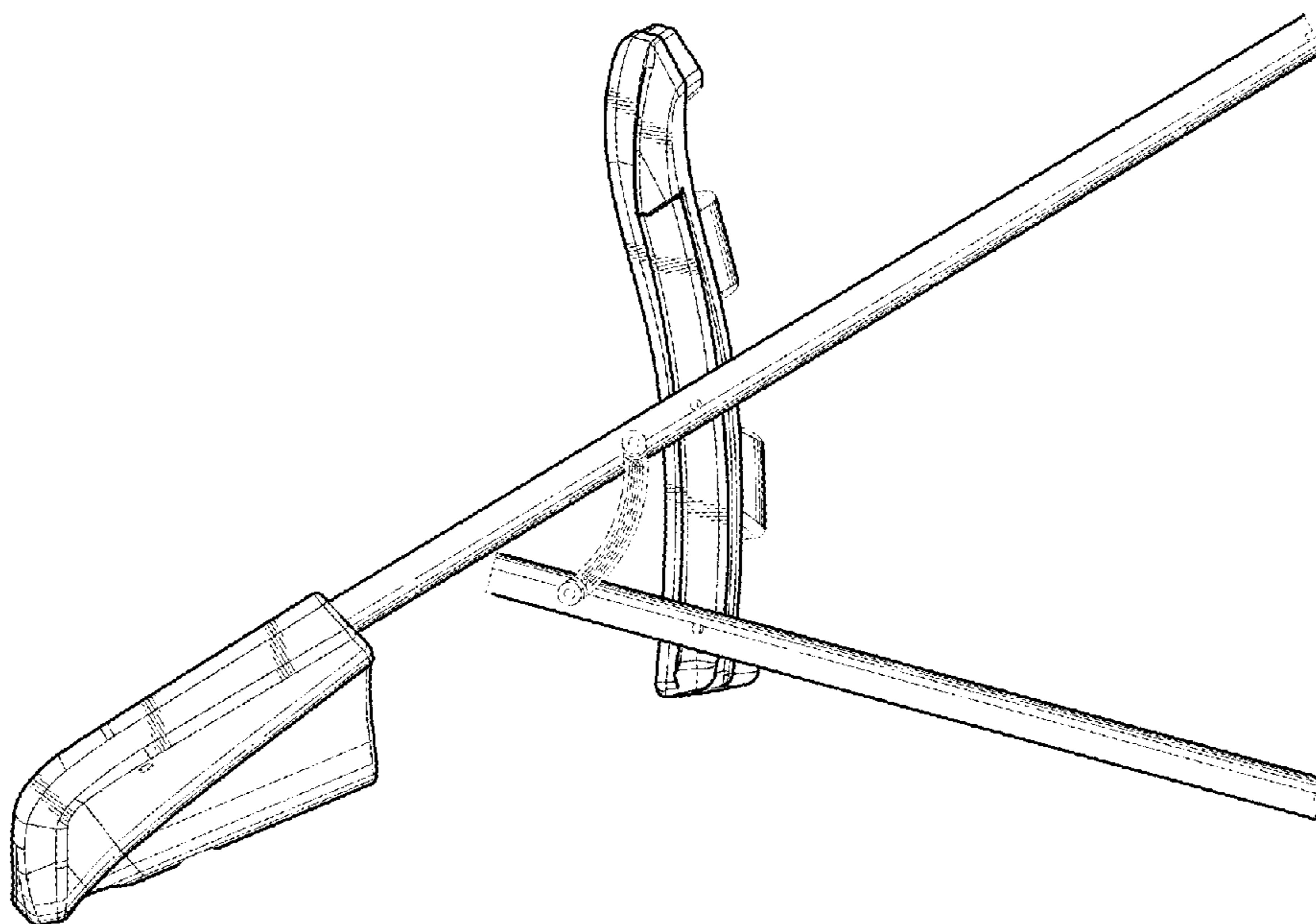


Fig. 4

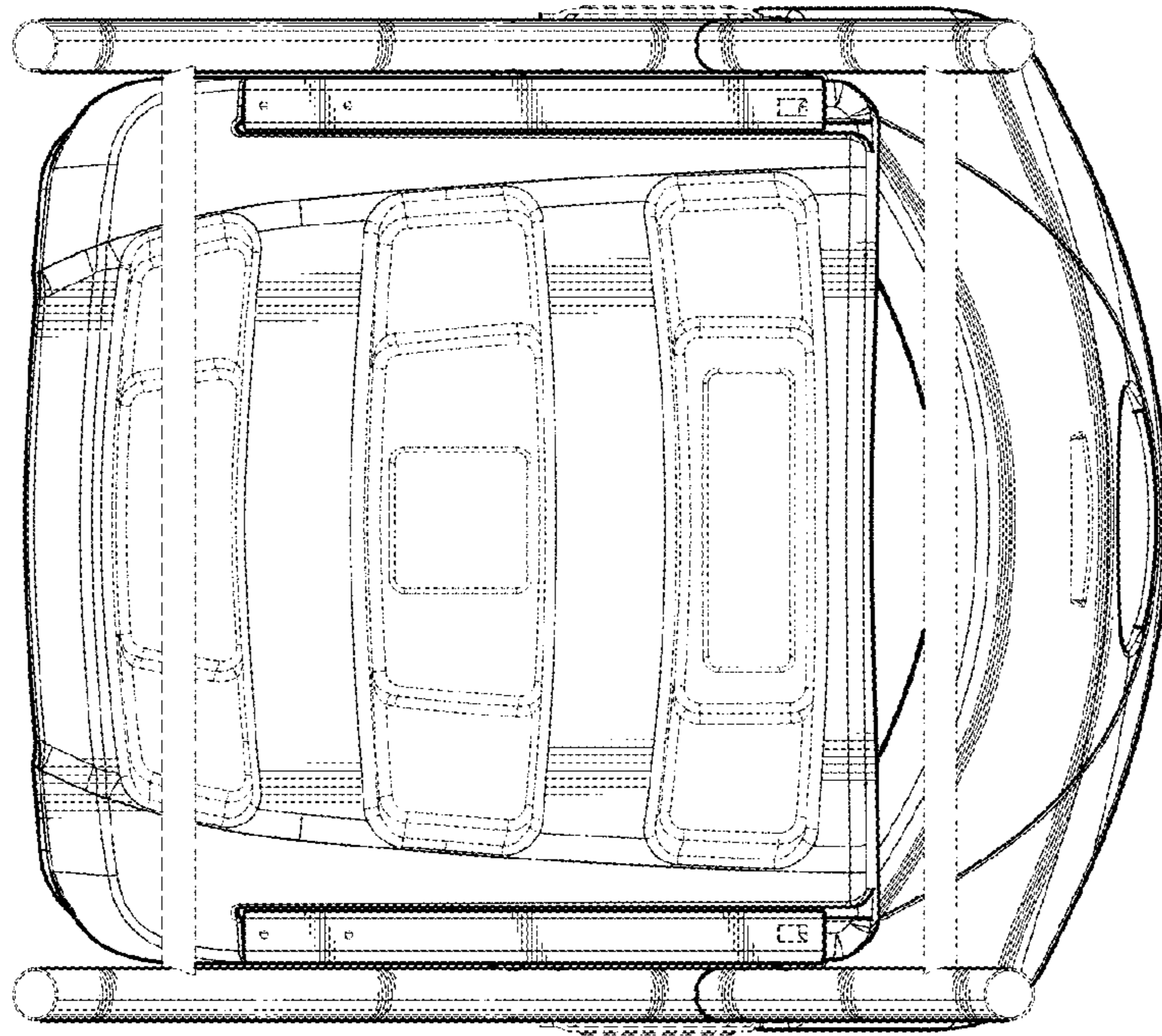


Fig. 7

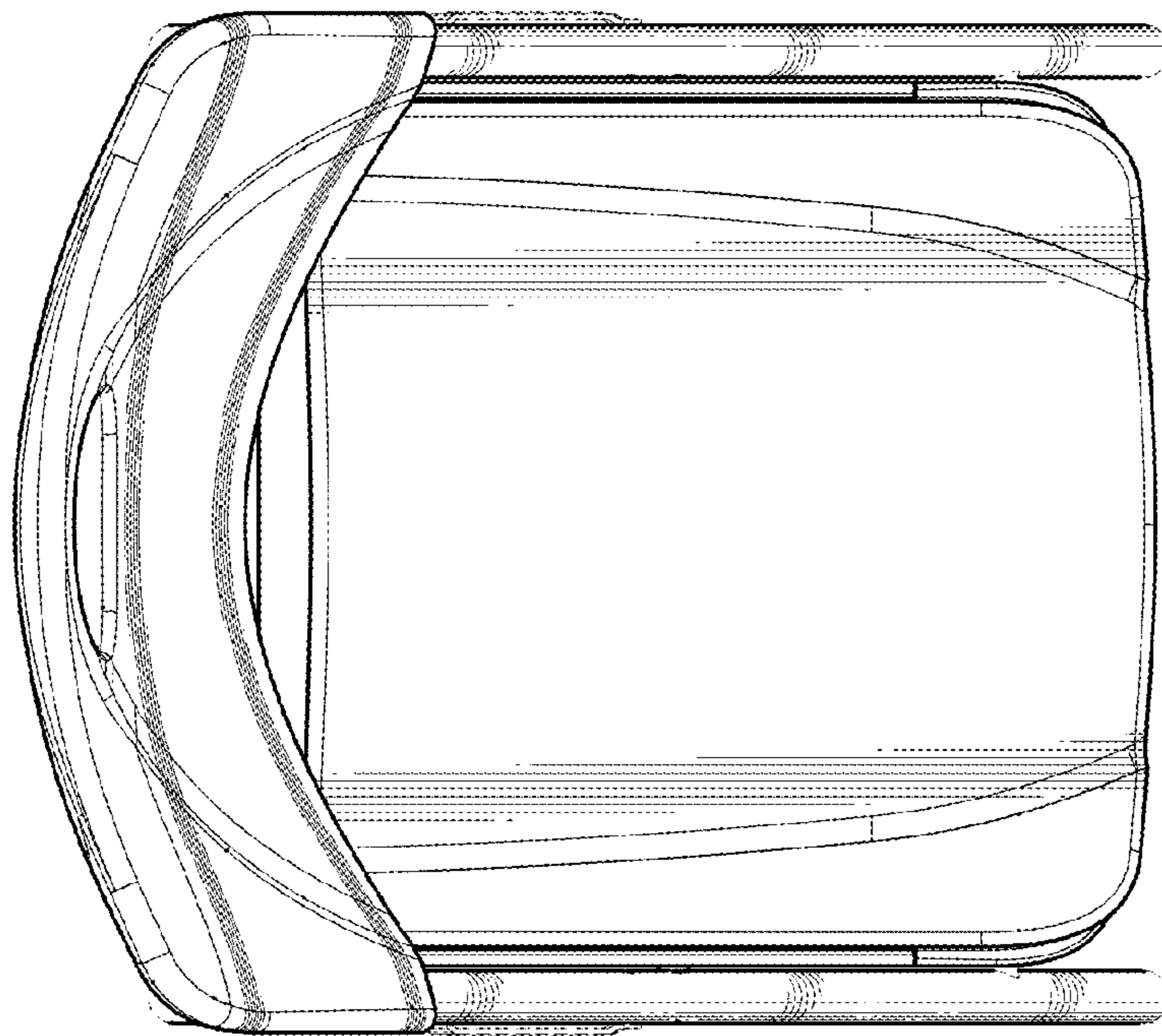


Fig. 6