



US00D686002S

(12) **United States Design Patent**
Martin

(10) **Patent No.:** **US D686,002 S**
(45) **Date of Patent:** **** *Jul. 16, 2013**

(54) **SEAT**

(75) Inventor: **Kirt Martin**, Alto, MI (US)

(73) Assignee: **Steelcase Inc.**, Grand Rapids, MI (US)

(*) Notice: This patent is subject to a terminal disclaimer.

(**) Term: **14 Years**

(21) Appl. No.: **29/390,326**

(22) Filed: **Apr. 22, 2011**

(51) **LOC (9) Cl.** **06-01**

(52) **U.S. Cl.**
USPC **D6/334**

(58) **Field of Classification Search**
USPC D6/334-338, 349, 355, 361, 368-370, D6/376, 379-381, 492, 500-502; 297/16.1, 297/42, 94, 135, 175, 232, 233, 350, 351, 297/445.1, 448.1, 448.2, 451.9; 5/12.1, 12.2
See application file for complete search history.

(56) **References Cited**

U.S. PATENT DOCUMENTS

571,652 A	11/1896	Dodd	
D103,416 S *	3/1937	Tyrell	D6/381
3,438,676 A *	4/1969	Brosk	297/451.6
3,438,687 A	4/1969	Brosk	
3,575,465 A	4/1971	Dolby et al.	
D229,591 S *	12/1973	Trail	D6/370
D239,424 S	4/1976	Offradi	
D239,580 S *	4/1976	Robertson	D6/381
D244,069 S *	4/1977	Summer	D6/371
D245,950 S	10/1977	Mathur	
D247,595 S	3/1978	Corson et al.	
D252,487 S	7/1979	Petersilie	
D263,770 S	4/1982	Melchior	
D283,855 S	5/1986	Kujawski	

D288,748 S	3/1987	Klein	
D303,327 S	9/1989	Masarotti	
D303,328 S *	9/1989	Syme et al.	D6/335
D321,435 S	11/1991	Scalisi et al.	
D337,450 S	7/1993	Dettinger	
D342,837 S	1/1994	Forcolini	
D360,310 S	7/1995	Stamberg et al.	
D367,364 S	2/1996	Lewis	
D368,177 S	3/1996	Mourgue	
D375,845 S	11/1996	Mourgue	
D378,028 S	2/1997	Schefcik	
D380,095 S	6/1997	Diaz-Azcuy	
D381,216 S	7/1997	Paus	
D382,123 S	8/1997	Pimental et al.	
D382,129 S *	8/1997	Lewis	D6/381
D392,470 S	3/1998	Smith	
D392,775 S	3/1998	McMahon	
D399,661 S	10/1998	Smith	

(Continued)

OTHER PUBLICATIONS

U.S. Appl. No. 29/390,323, filed Apr. 22, 2011.

(Continued)

Primary Examiner — Sandra Snapp

(74) *Attorney, Agent, or Firm* — Quarles & Brady LLP

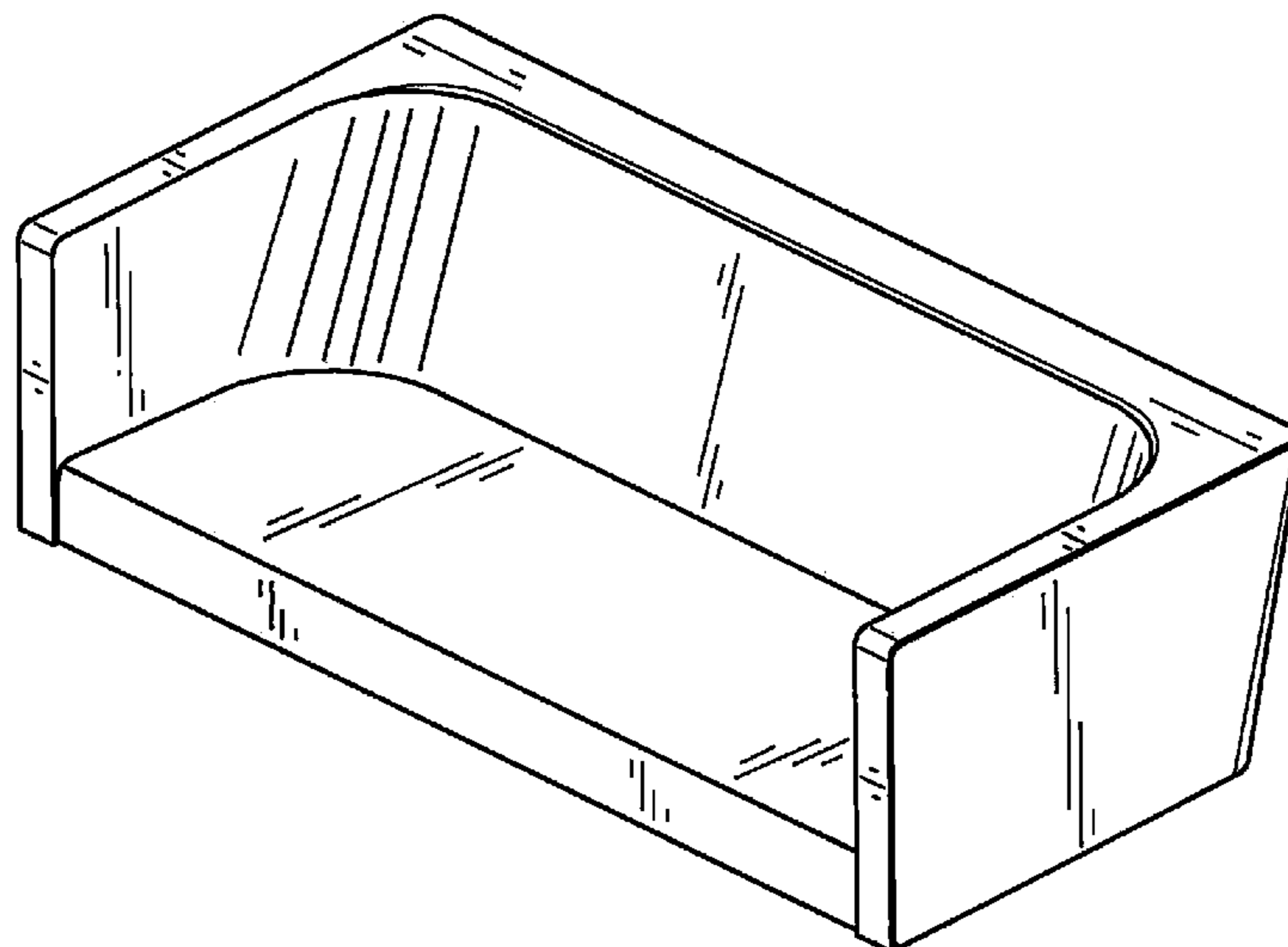
(57) **CLAIM**

The ornamental design for a seat, as shown and described.

DESCRIPTION

FIG. 1 is a right, top, front perspective view of a seat according to our new design, the bottom thereof being unseen in use; FIG. 2 is a top plan view thereof; FIG. 3 is a front elevational view thereof; FIG. 4 is a right side elevational view thereof, the left side elevational view thereof being a mirror image of the right side shown; and, FIG. 5 is a rear elevational view thereof.

1 Claim, 2 Drawing Sheets



US D686,002 S

Page 2

U.S. PATENT DOCUMENTS

D410,800 S 6/1999 Gomez
D423,808 S 5/2000 Olson
D429,081 S 8/2000 Gomez
D431,122 S * 9/2000 Koncar D6/381
D432,807 S 10/2000 Gollinucci
D439,431 S * 3/2001 Binder et al. D6/381
D441,978 S * 5/2001 Hutton D6/381
D446,039 S 8/2001 Gomez
D446,961 S * 8/2001 Natuzzi et al. D6/381
D448,946 S 10/2001 Goetz
D467,092 S 12/2002 Vu
D473,723 S 4/2003 Pesso
D479,055 S * 9/2003 Nicoletti D6/381
D480,883 S 10/2003 Williams et al.
D482,535 S 11/2003 Williams et al.
D485,086 S 1/2004 Gomez
D495,514 S 9/2004 Ricci
D495,518 S 9/2004 Ricci
D498,074 S 11/2004 Gomez

D501,330 S 2/2005 Gomez
D530,929 S 10/2006 Resterhouse et al.
D538,054 S 3/2007 Lissoni
D539,047 S 3/2007 Auberger
D546,570 S * 7/2007 Kreiss D6/334
D549,470 S 8/2007 Hutton
D554,387 S 11/2007 Nicoletti
D560,919 S * 2/2008 Simons, Jr. D6/381
D584,524 S 1/2009 Ricci
D584,900 S 1/2009 Hackethal et al.
D602,706 S 10/2009 Cramer et al.
D615,308 S 5/2010 Serra Sola et al.
D616,663 S 6/2010 Natuzzi
D617,112 S 6/2010 Tsai

OTHER PUBLICATIONS

U.S. Appl. No. 29/390,324, filed Apr. 22, 2011.
U.S. Appl. No. 29/390,325, filed Apr. 22, 2011.

* cited by examiner

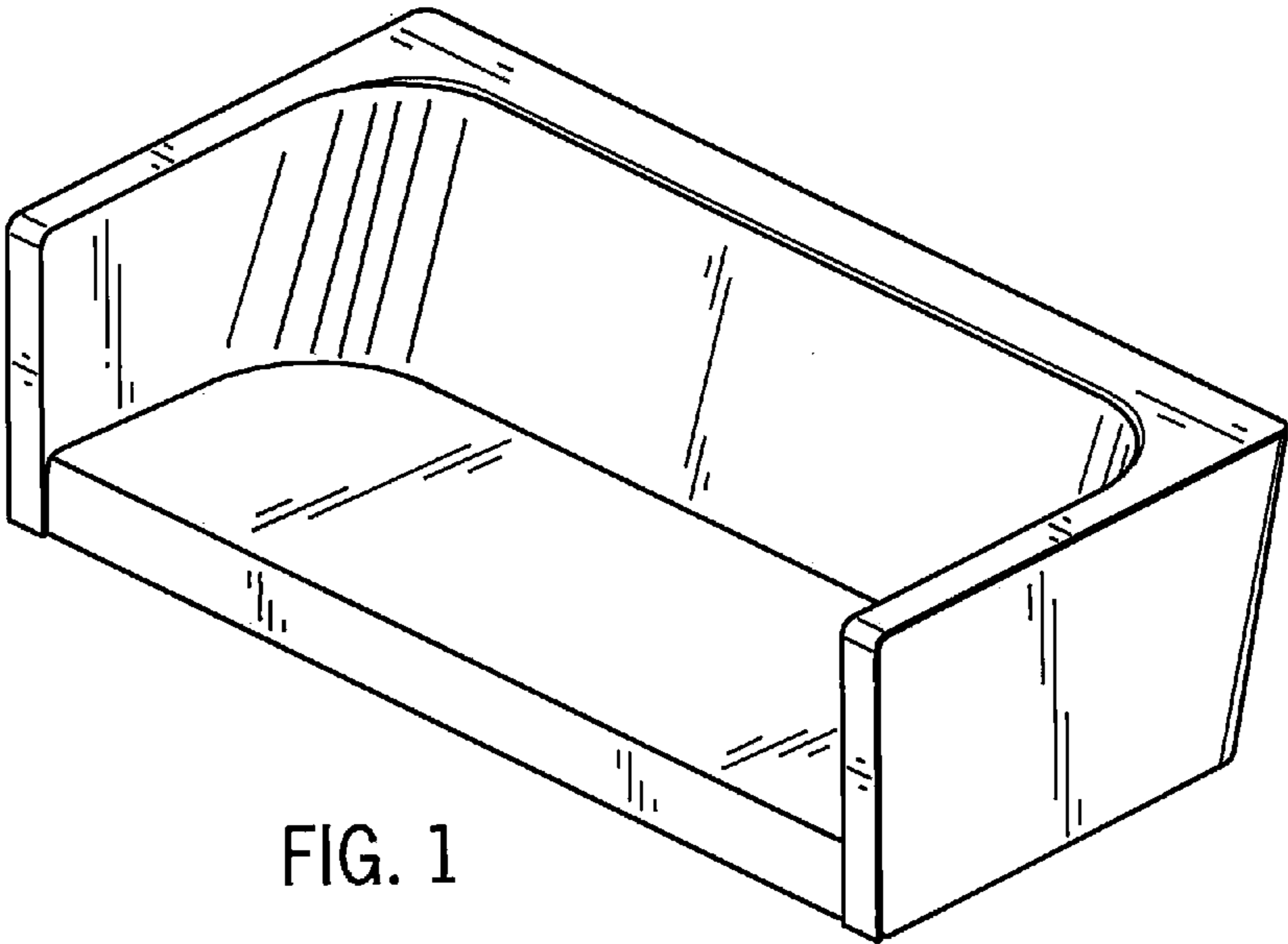


FIG. 1

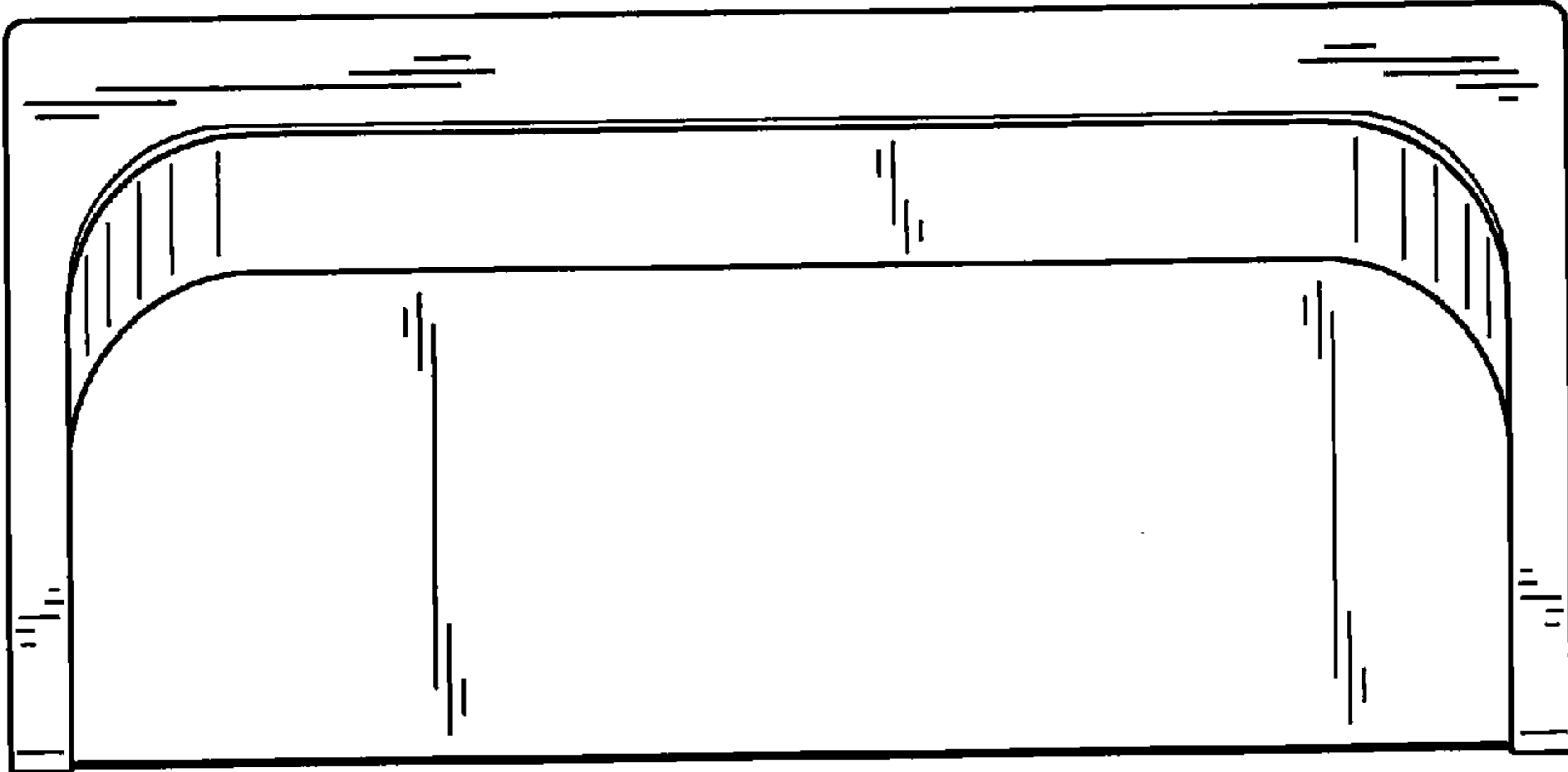


FIG. 2

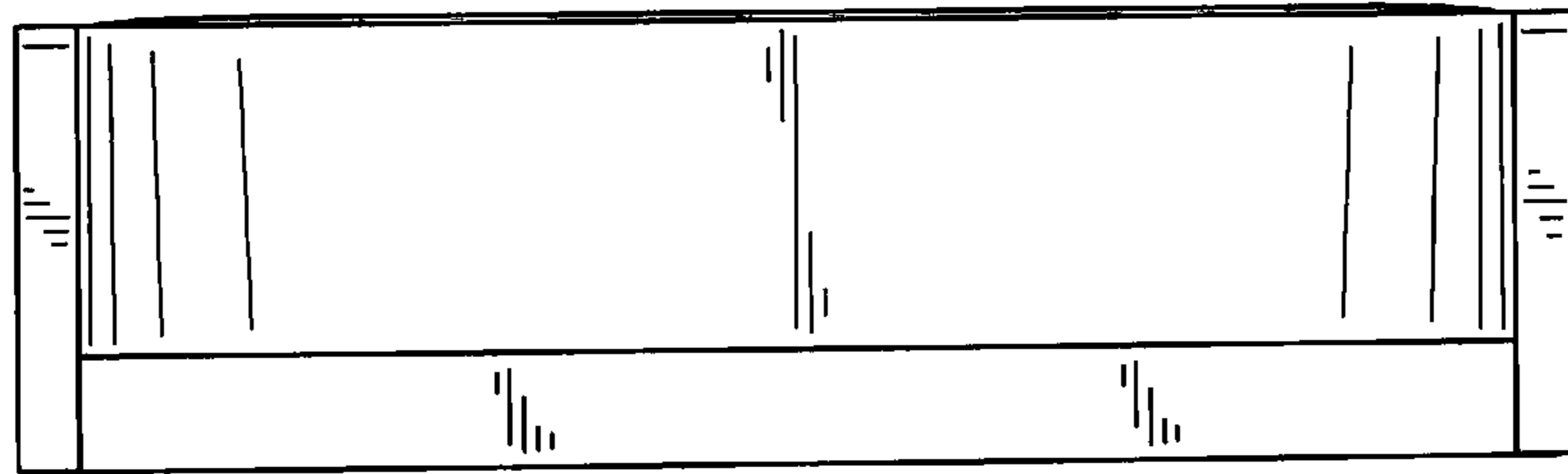


FIG. 3

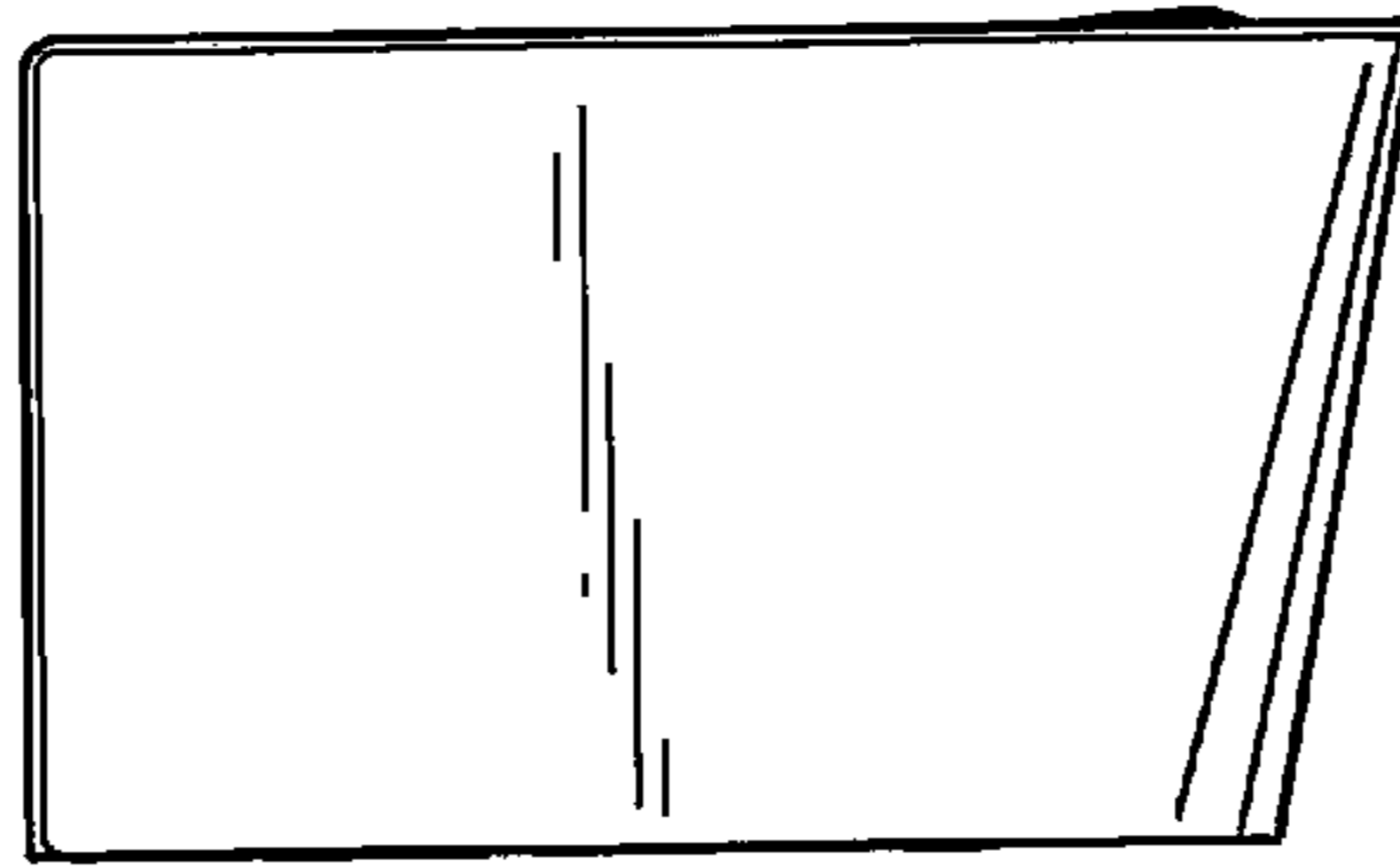


FIG. 4

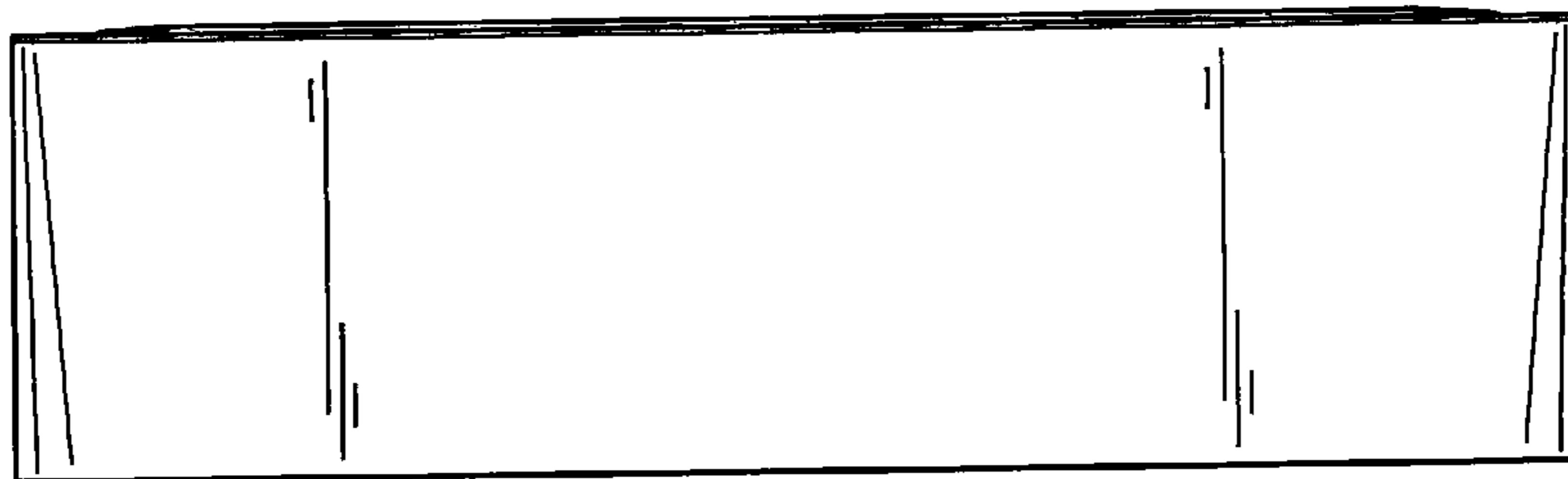


FIG. 5