



US00D685994S

(12) **United States Design Patent**
Chen

(10) **Patent No.:** **US D685,994 S**

(45) **Date of Patent:** **** Jul. 16, 2013**

(54) **CONTAINER**

(71) Applicant: **Suh Ken Enterprises Co., Ltd.**, Tainan (TW)

(72) Inventor: **Ching-Tzu Chen**, Tainan (TW)

(73) Assignee: **Suh Ken Enterprises Co., Ltd.**, Tainan (TW)

(**) Term: **14 Years**

(21) Appl. No.: **29/436,165**

(22) Filed: **Nov. 2, 2012**

(51) **LOC (9) Cl.** **03-01**

(52) **U.S. Cl.**
USPC **D3/311**

(58) **Field of Classification Search**
USPC D3/304, 306-308, 310-311, 312-315;
D7/553-554; D9/424; 220/501, 507, 553,
220/555; 206/503, 505, 315.1
See application file for complete search history.

(56) **References Cited**

U.S. PATENT DOCUMENTS

D246,872 S *	1/1978	White	D3/304
D275,046 S *	8/1984	Midgley	D3/305
D370,344 S *	6/1996	Kim	D3/305
D381,205 S *	7/1997	Conti	D3/312
D382,403 S *	8/1997	Koskinen	D3/307
D395,756 S *	7/1998	Tanji	D3/312
D398,448 S *	9/1998	Zanni	D3/312
D400,711 S *	11/1998	Hwang	D3/307

D420,219 S *	2/2000	Elvin-Jensen et al.	D3/305
D421,183 S *	2/2000	Koskinen	D3/312
D423,217 S *	4/2000	Varfeldt	D3/309
D606,313 S *	12/2009	Neilsen	D3/304
D627,562 S *	11/2010	Osiecki et al.	D3/304
D673,297 S *	12/2012	Hawker	D24/227

* cited by examiner

Primary Examiner — Kelley Donnelly

(74) *Attorney, Agent, or Firm* — Alan Kamrath; Kamrath IP Lawfirm, P.A.

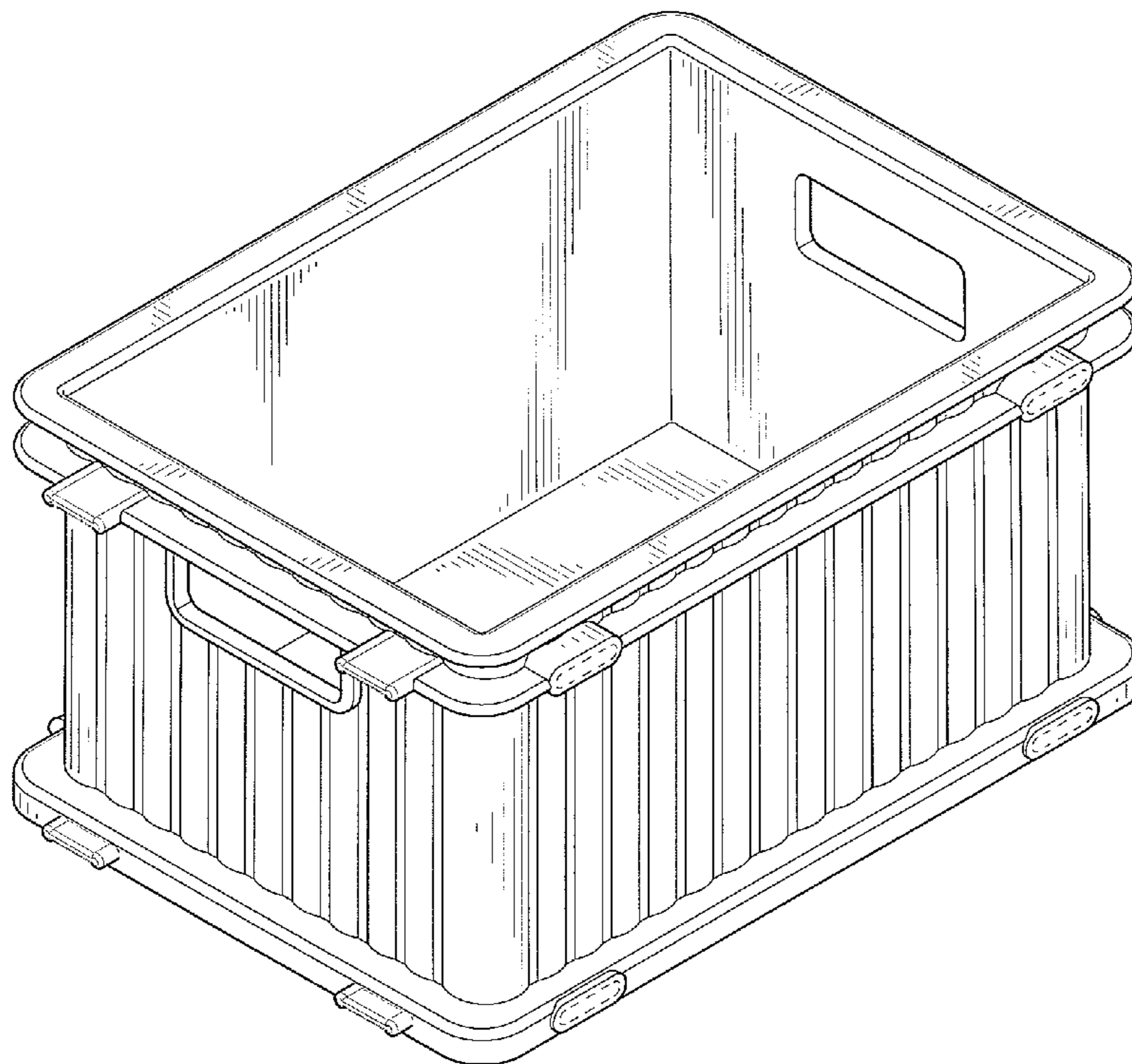
(57) **CLAIM**

The ornamental design for a container, as shown and described.

DESCRIPTION

FIG. 1 is a perspective view of a container showing my new design;
FIG. 2 is another perspective view thereof;
FIG. 3 is a front view thereof;
FIG. 4 is a rear view thereof;
FIG. 5 is a left view thereof;
FIG. 6 is a right view thereof;
FIG. 7 is a top view thereof; and,
FIG. 8 is a bottom view thereof.
The portions of the Figures shown in broken lines are shown for illustrative purposes only and form no part of the claimed design.

1 Claim, 6 Drawing Sheets



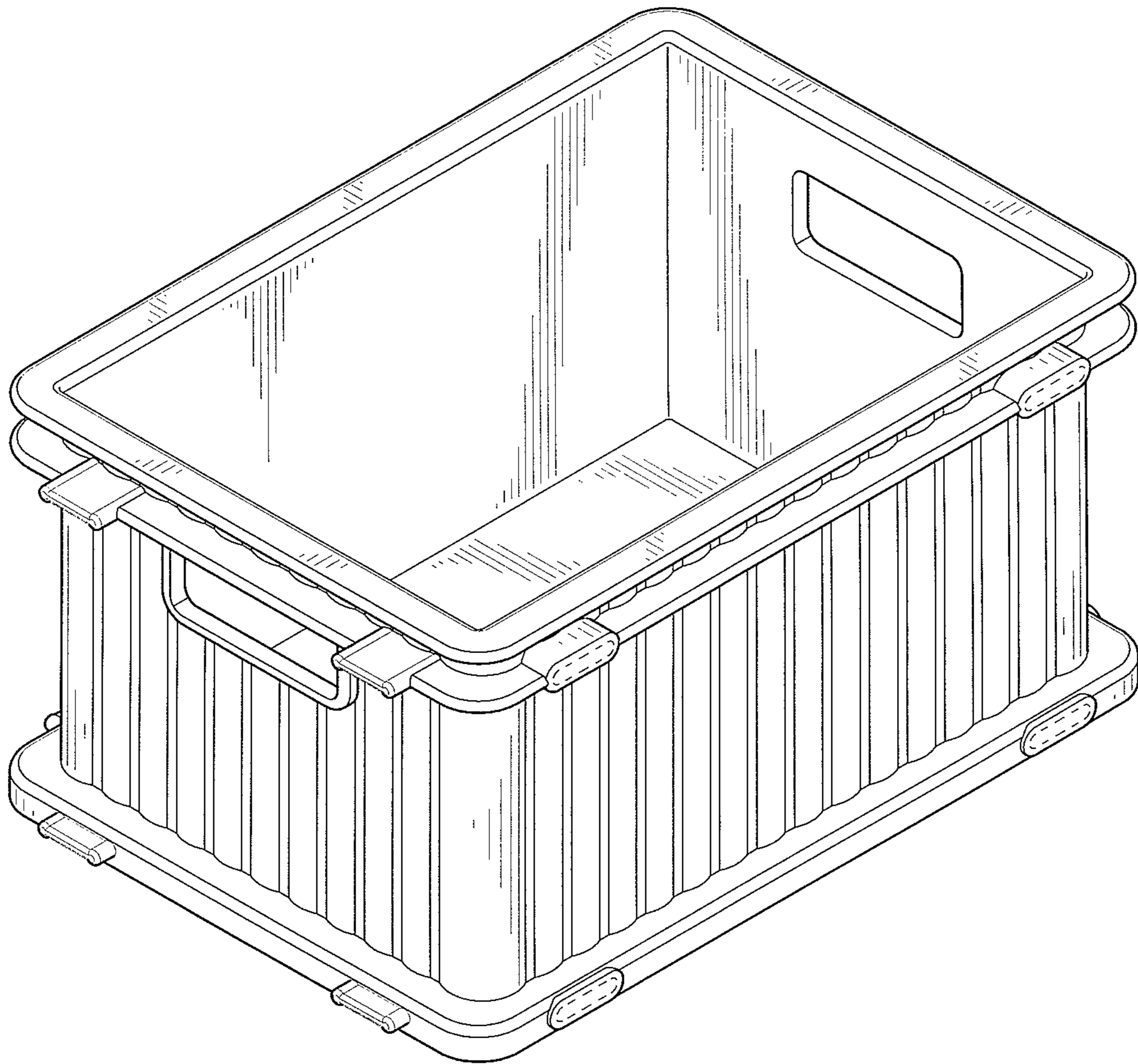


FIG.1

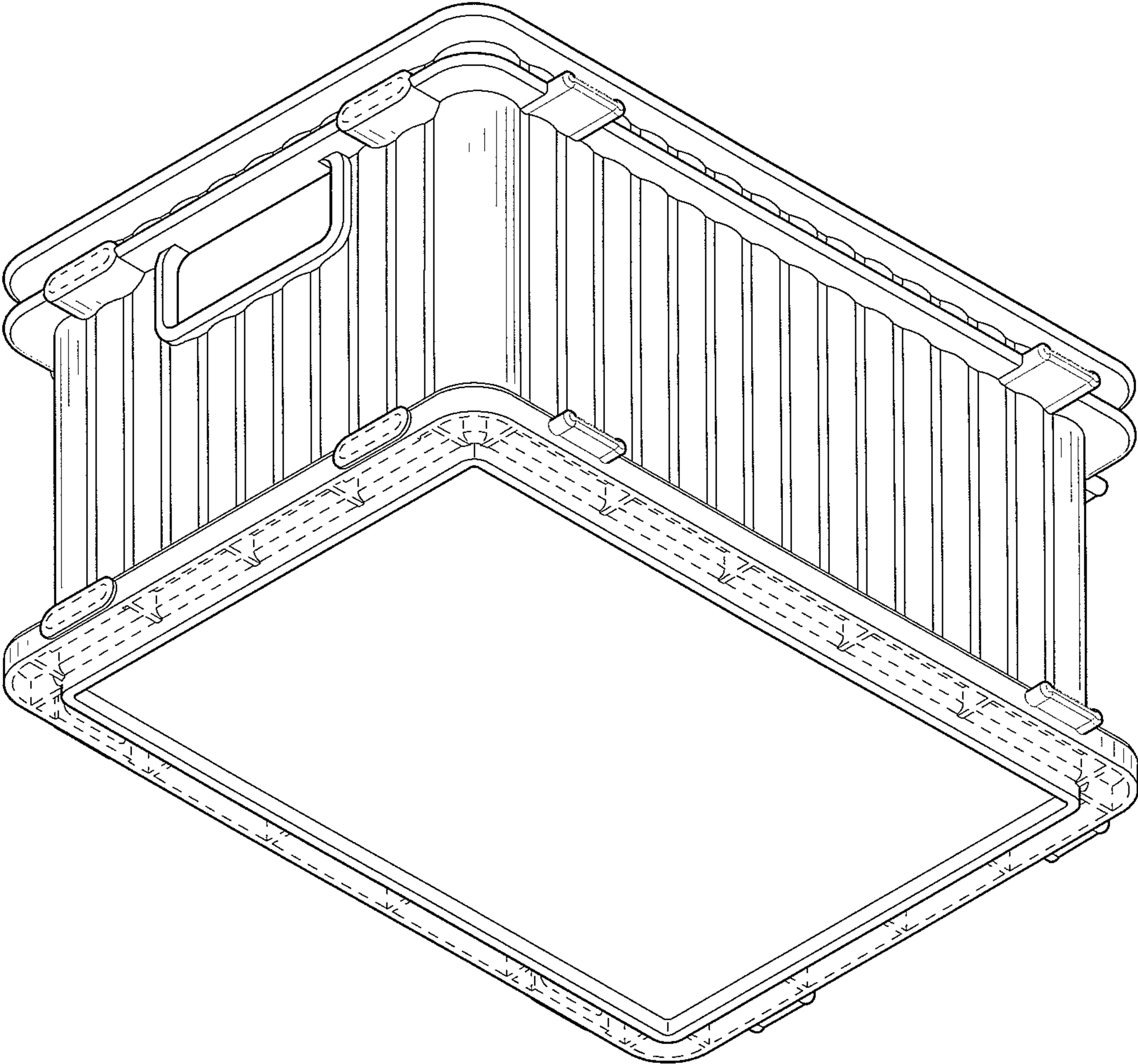


FIG.2

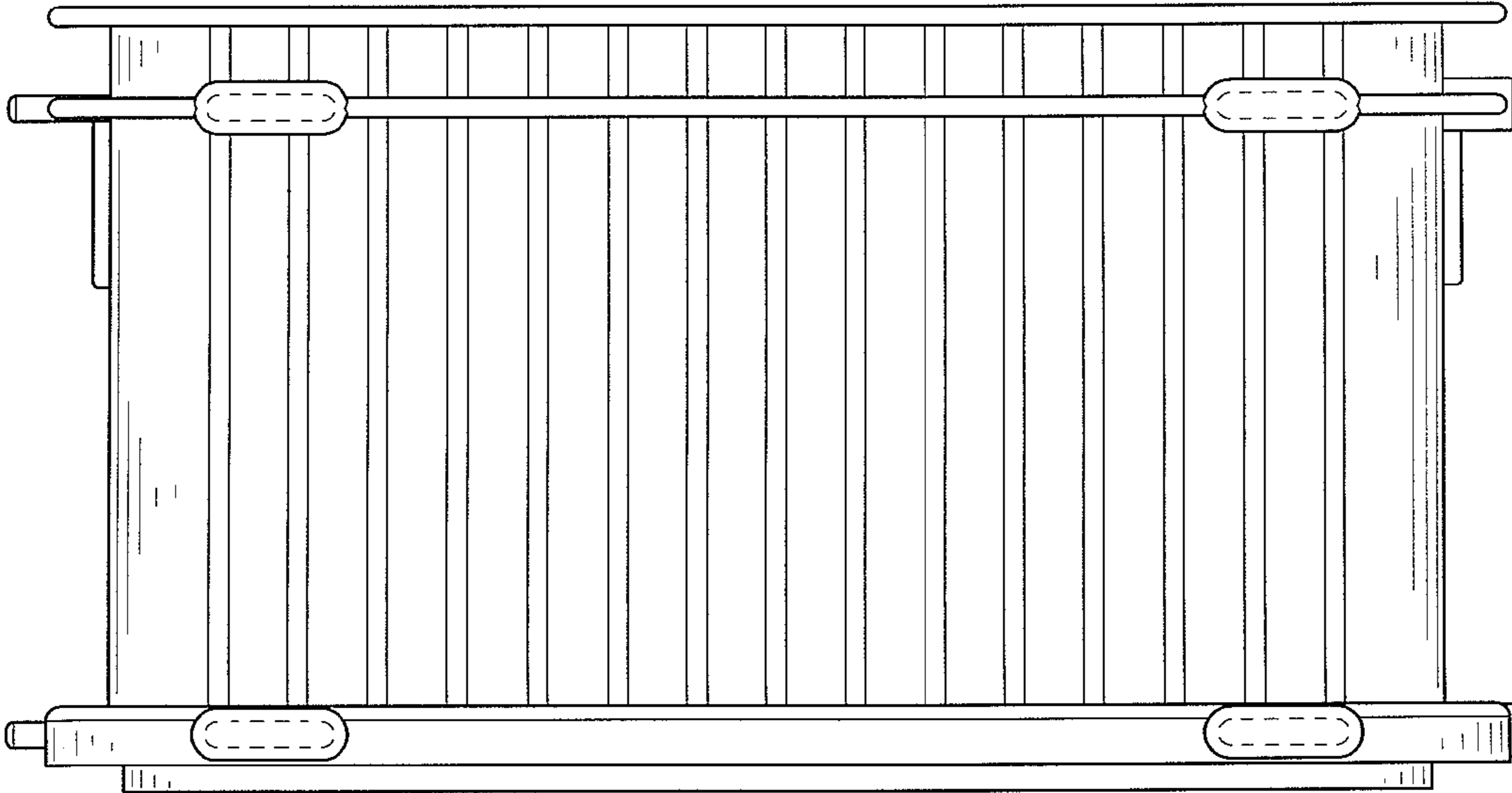


FIG.3

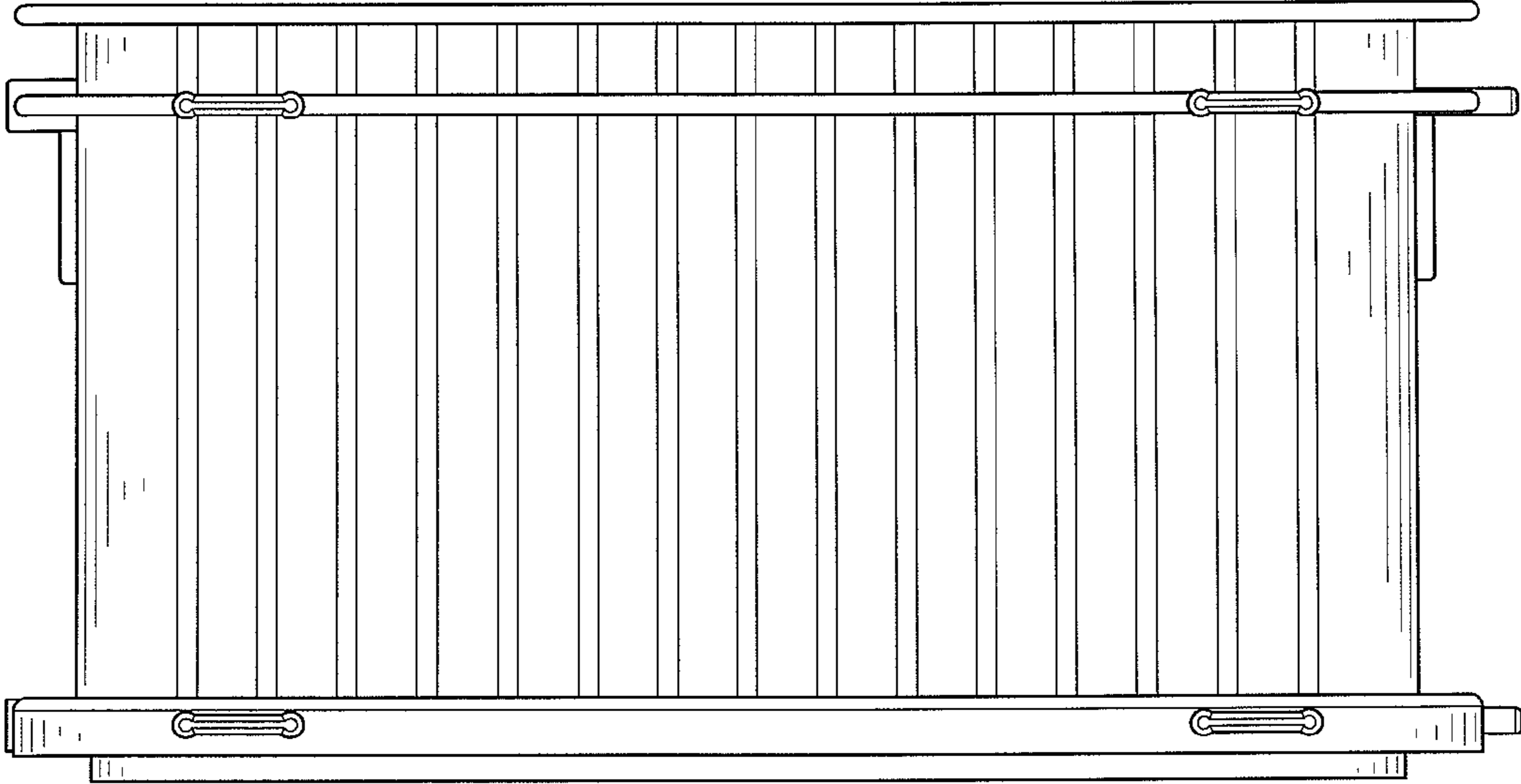


FIG.4

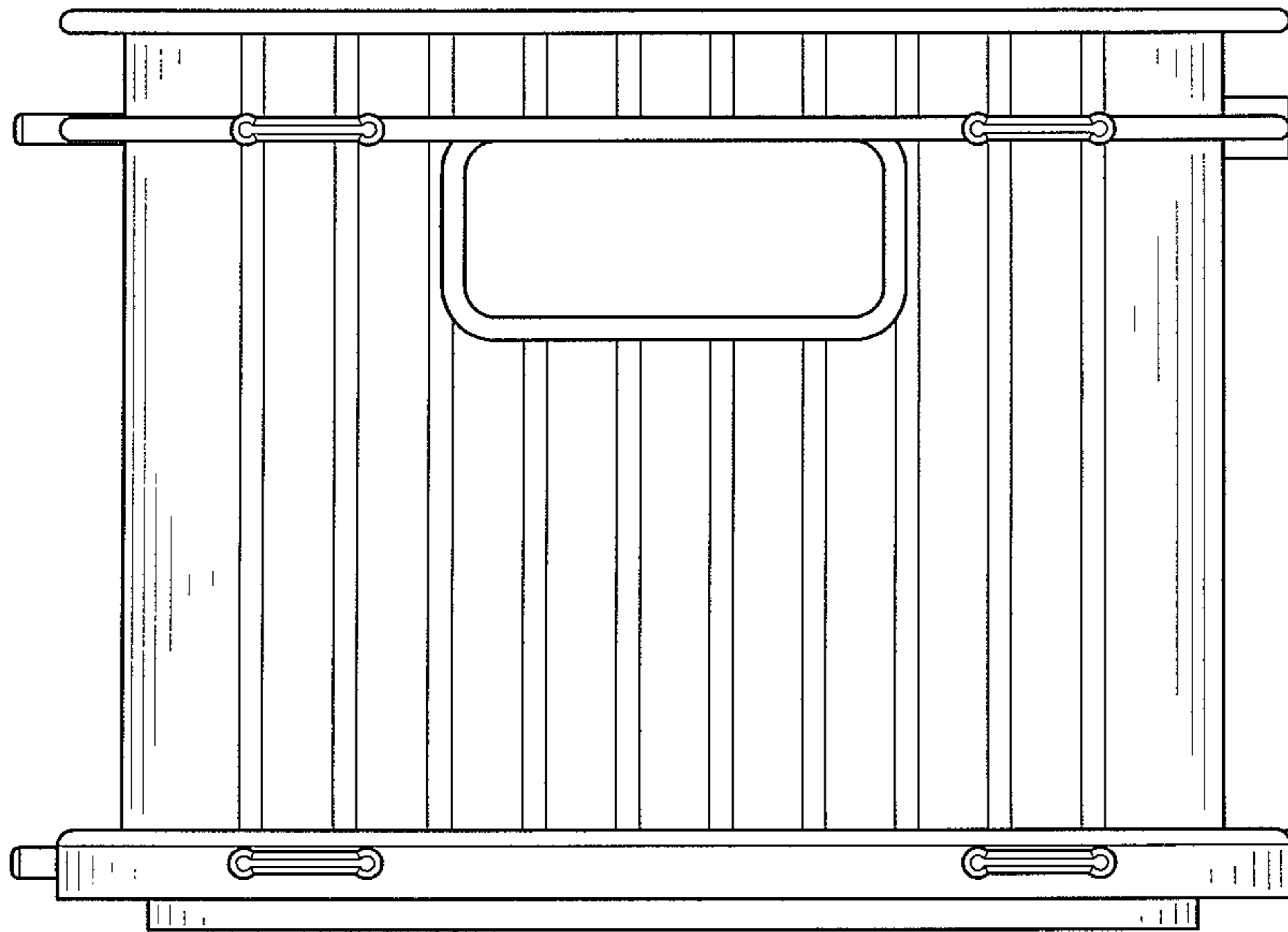


FIG. 5

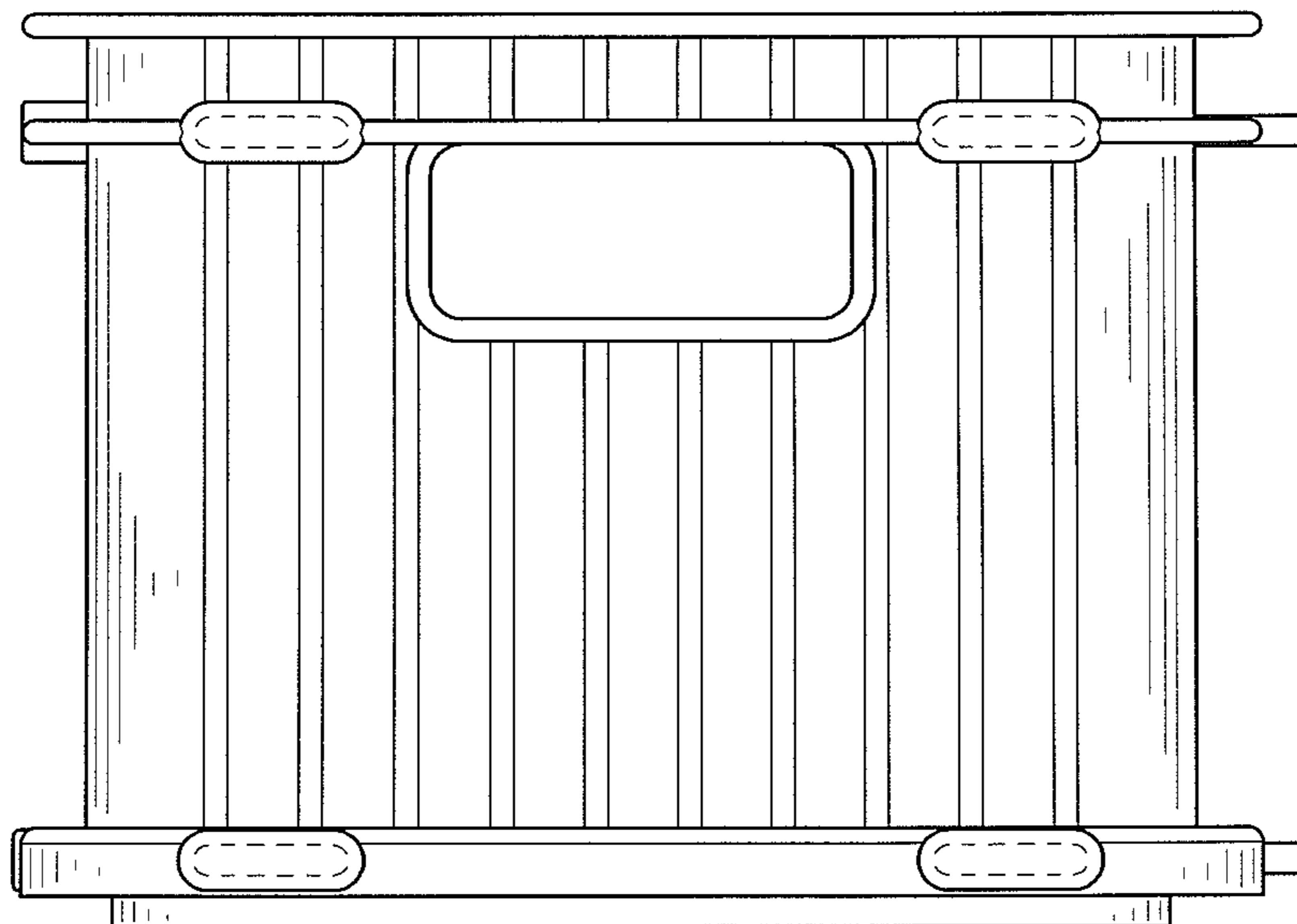


FIG. 6

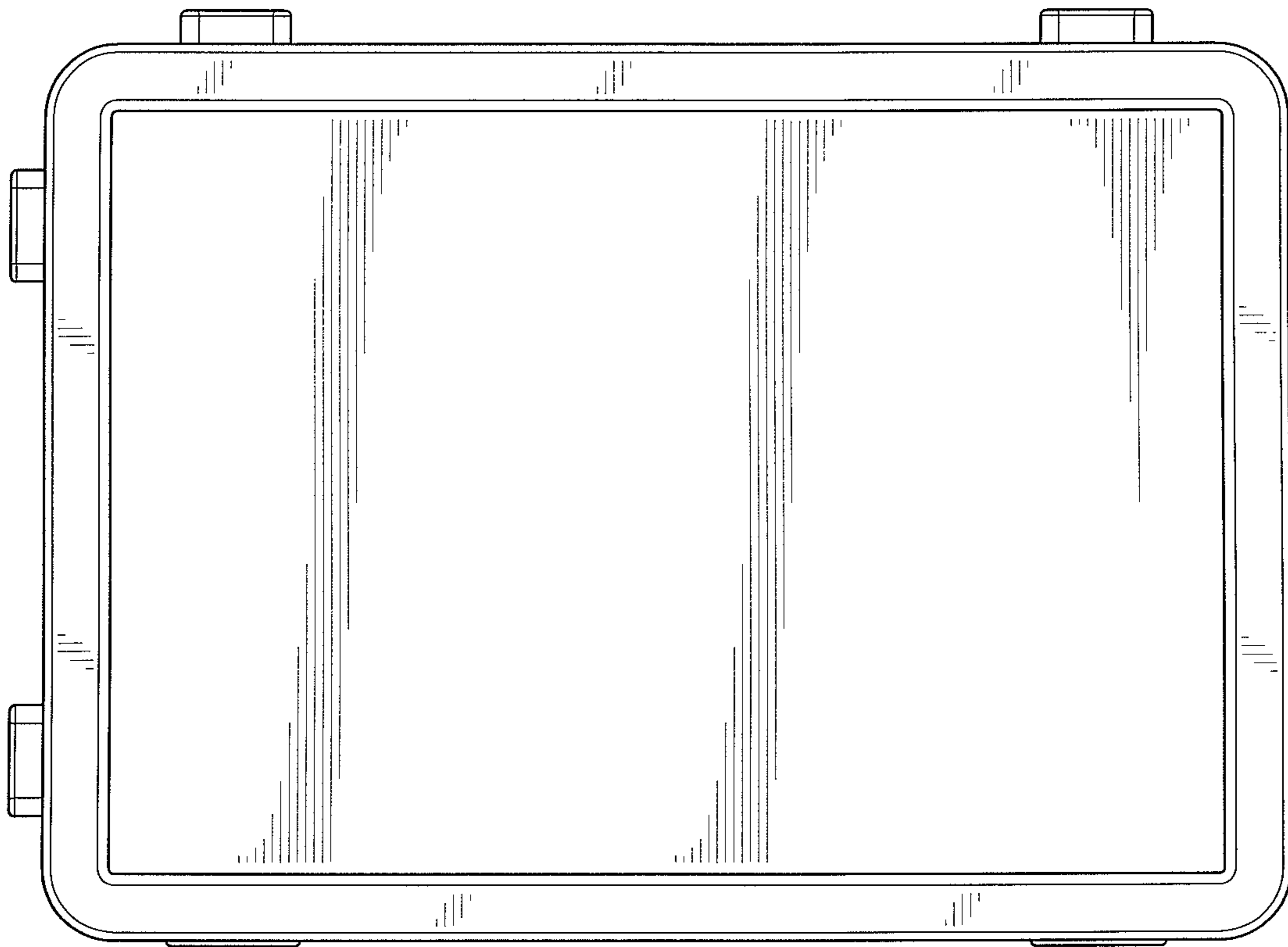


FIG.7

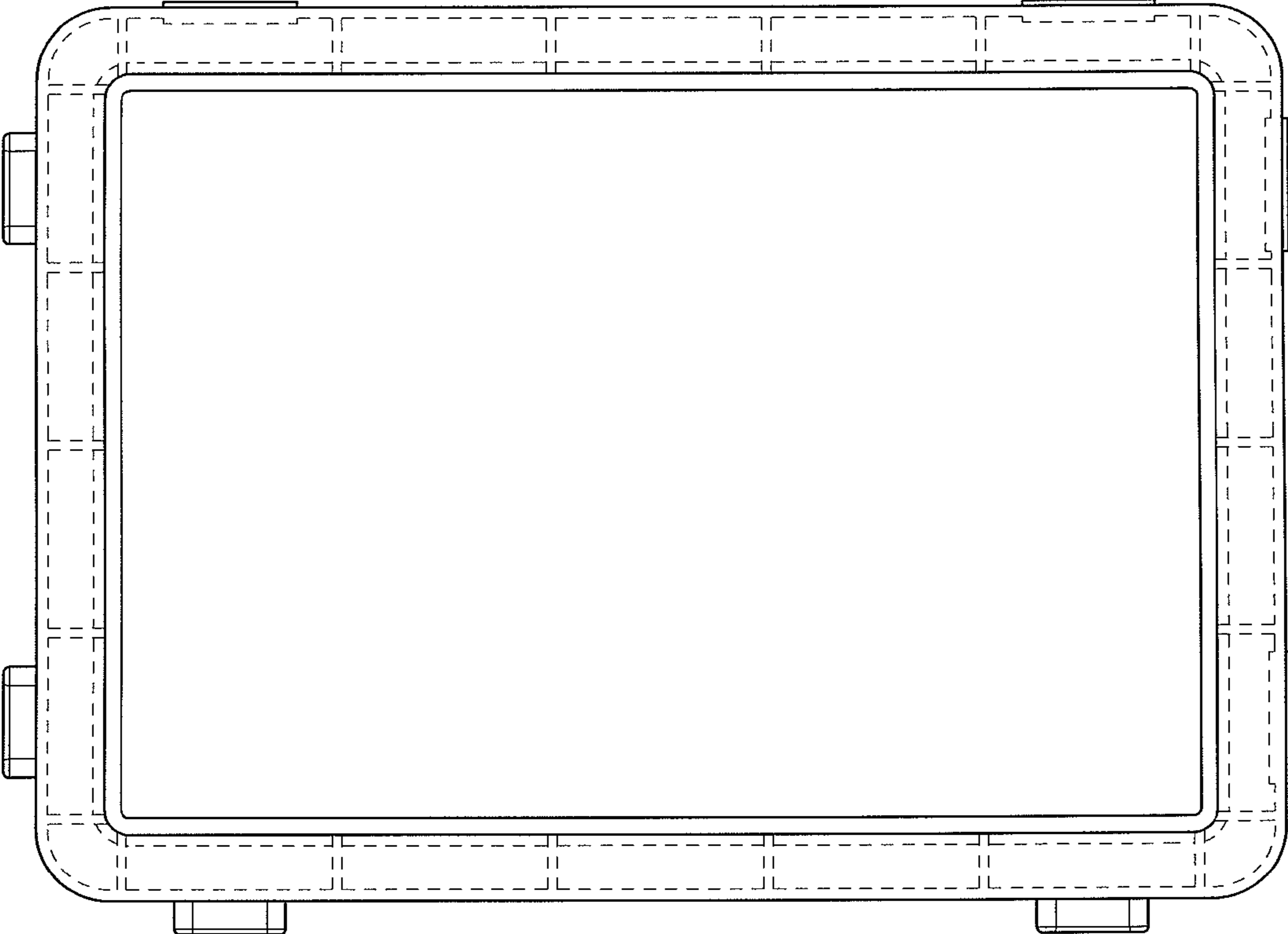


FIG.8