



US00D685993S

(12) **United States Design Patent**  
**Hylton**

(10) **Patent No.:** **US D685,993 S**  
(45) **Date of Patent:** **\*\* Jul. 16, 2013**

(54) **HANGING POOL BASKET**  
(76) Inventor: **Amy Lynne Hylton**, Broadway, VA (US)  
(\*\*) Term: **14 Years**  
(21) Appl. No.: **29/395,495**  
(22) Filed: **Jan. 31, 2012**  
(51) **LOC (9) Cl.** ..... **03-01**  
(52) **U.S. Cl.**  
USPC ..... **D3/304**  
(58) **Field of Classification Search**  
USPC .... D6/512-513, 524-525, 552-553; D3/304,  
D3/306; 248/302, 485, 488; 206/202, 513;  
211/126.1, 134, 13.1, 557, 41.3, 41.4, 86.01,  
211/88.01, 181.1  
See application file for complete search history.

D632,081 S \* 2/2011 Klein et al. .... D3/306  
D636,198 S \* 4/2011 Gibbs ..... D6/513  
D650,209 S \* 12/2011 Snider ..... D6/513  
D651,801 S \* 1/2012 Brown ..... D3/304  
D667,634 S \* 9/2012 Link et al. .... D3/315

\* cited by examiner

*Primary Examiner* — Kelley Donnelly  
(74) *Attorney, Agent, or Firm* — Daniel L. Fitch

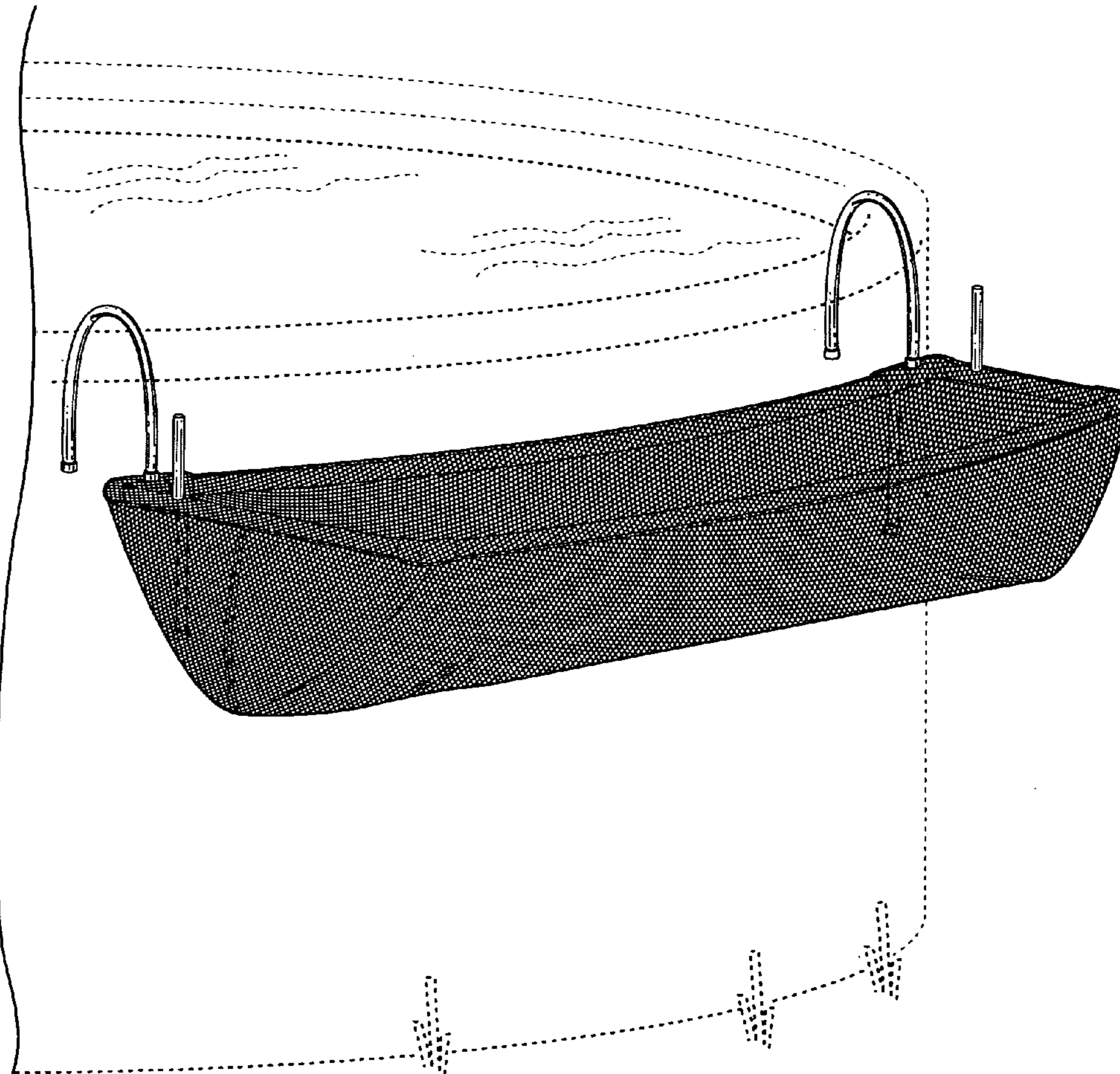
(57) **CLAIM**  
The ornamental design for a hanging pool basket, as shown and described.

**DESCRIPTION**

FIG. 1 is a perspective view of a hanging pool basket showing my new design;  
FIG. 2 is a front view thereof;  
FIG. 3 is a back view thereof;  
FIG. 4 is a top view thereof;  
FIG. 5 is a bottom view thereof;  
FIG. 6 is a right side view thereof; and,  
FIG. 7 is a left side view thereof.

(56) **References Cited**  
**U.S. PATENT DOCUMENTS**  
D473,085 S \* 4/2003 Walker ..... D6/525  
D554,419 S \* 11/2007 Thompson et al. .... D6/566  
D584,056 S \* 1/2009 Ghiorghie ..... D6/513  
D589,728 S \* 4/2009 Shaha et al. .... D6/510

**1 Claim, 4 Drawing Sheets**



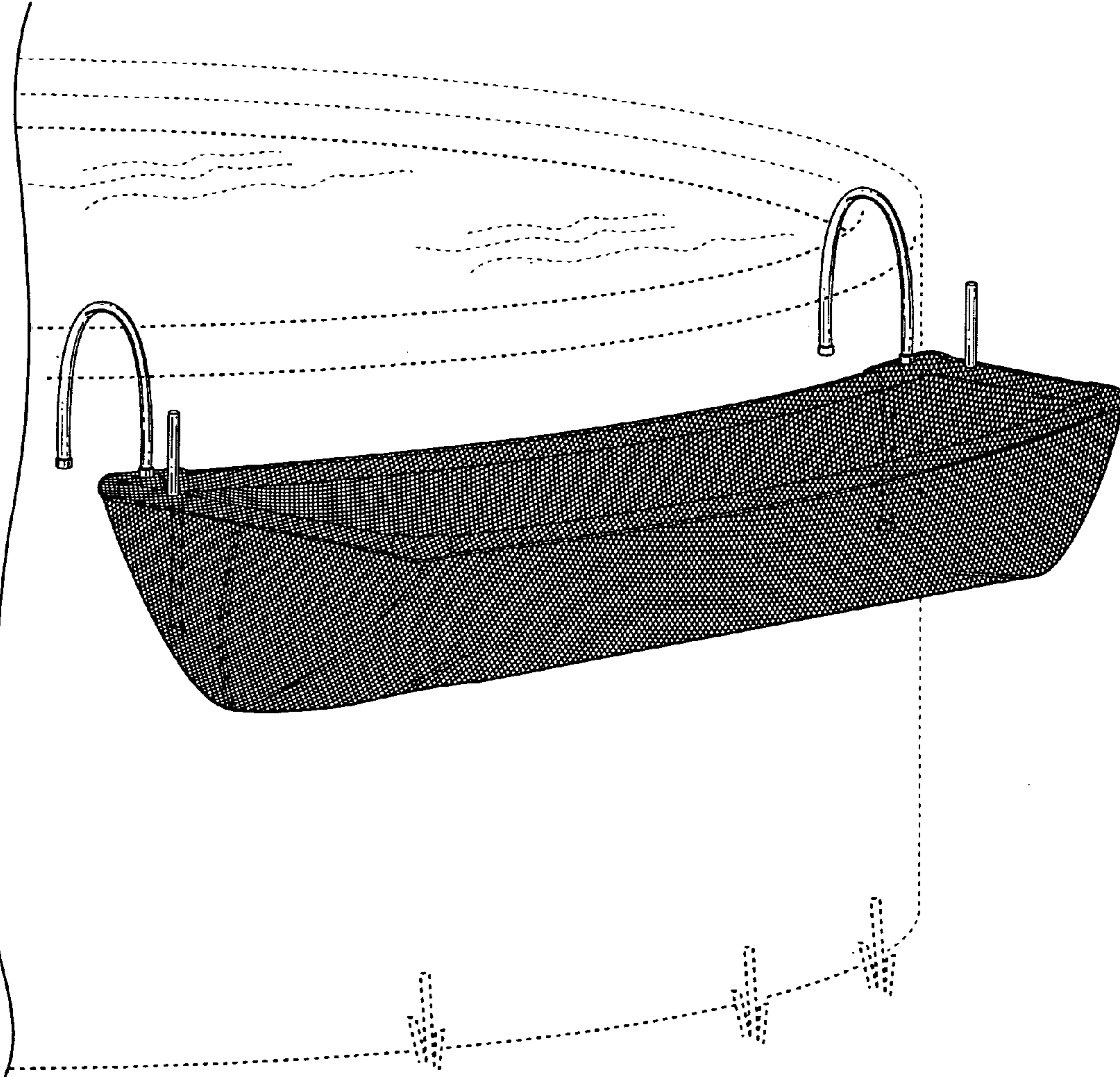
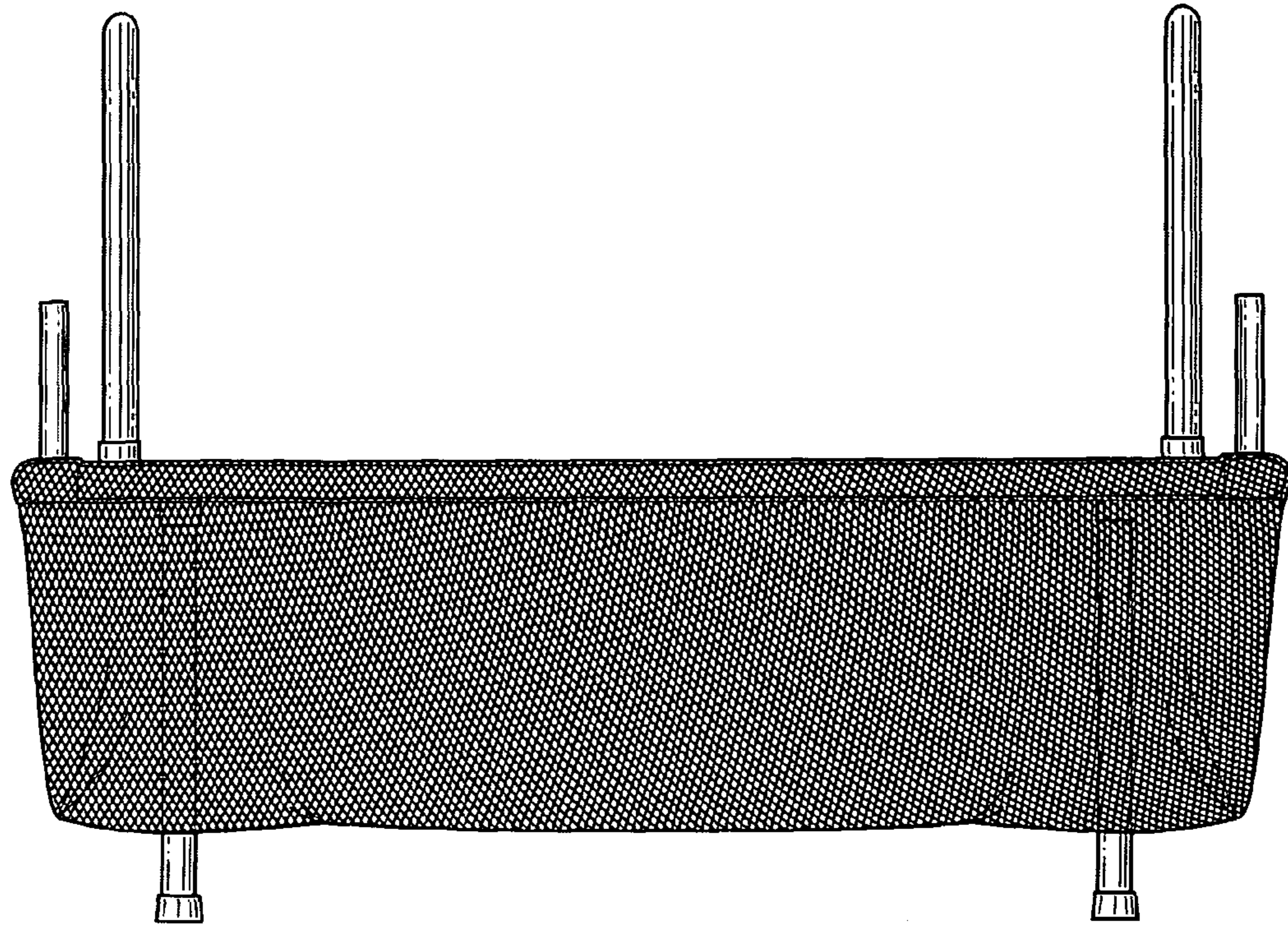
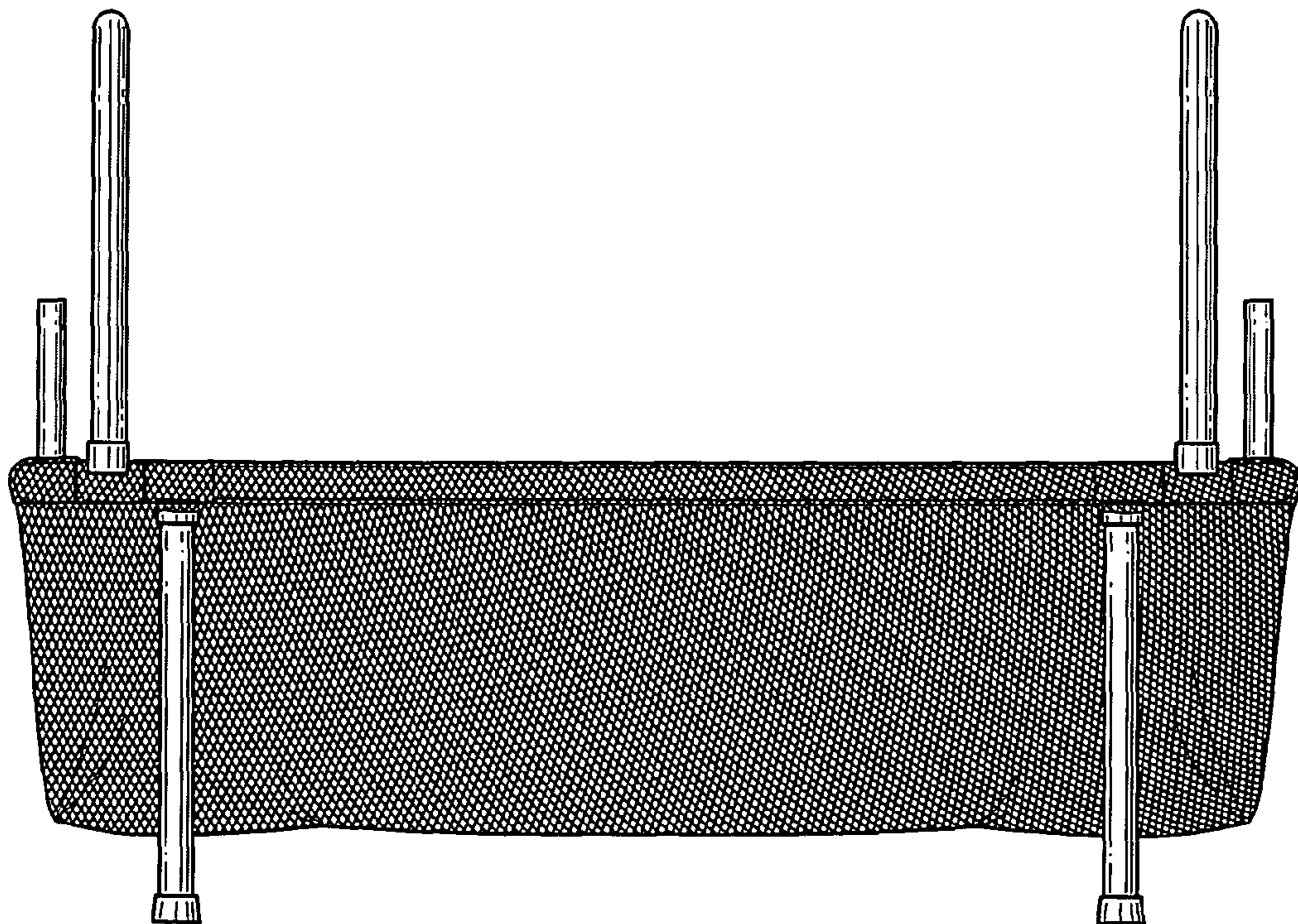


FIG. 1





**FIG. 2**



**FIG. 3**



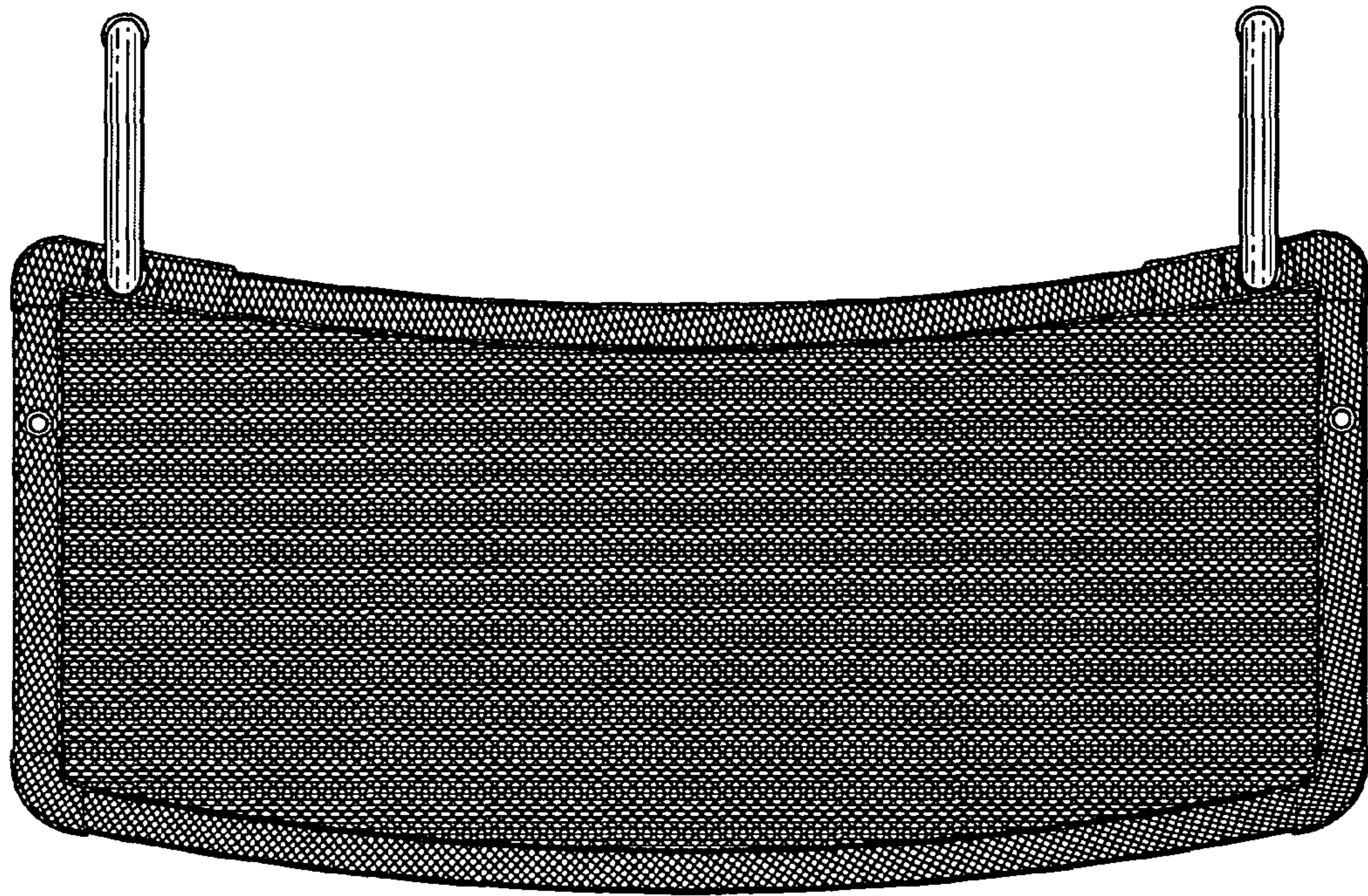


FIG. 4

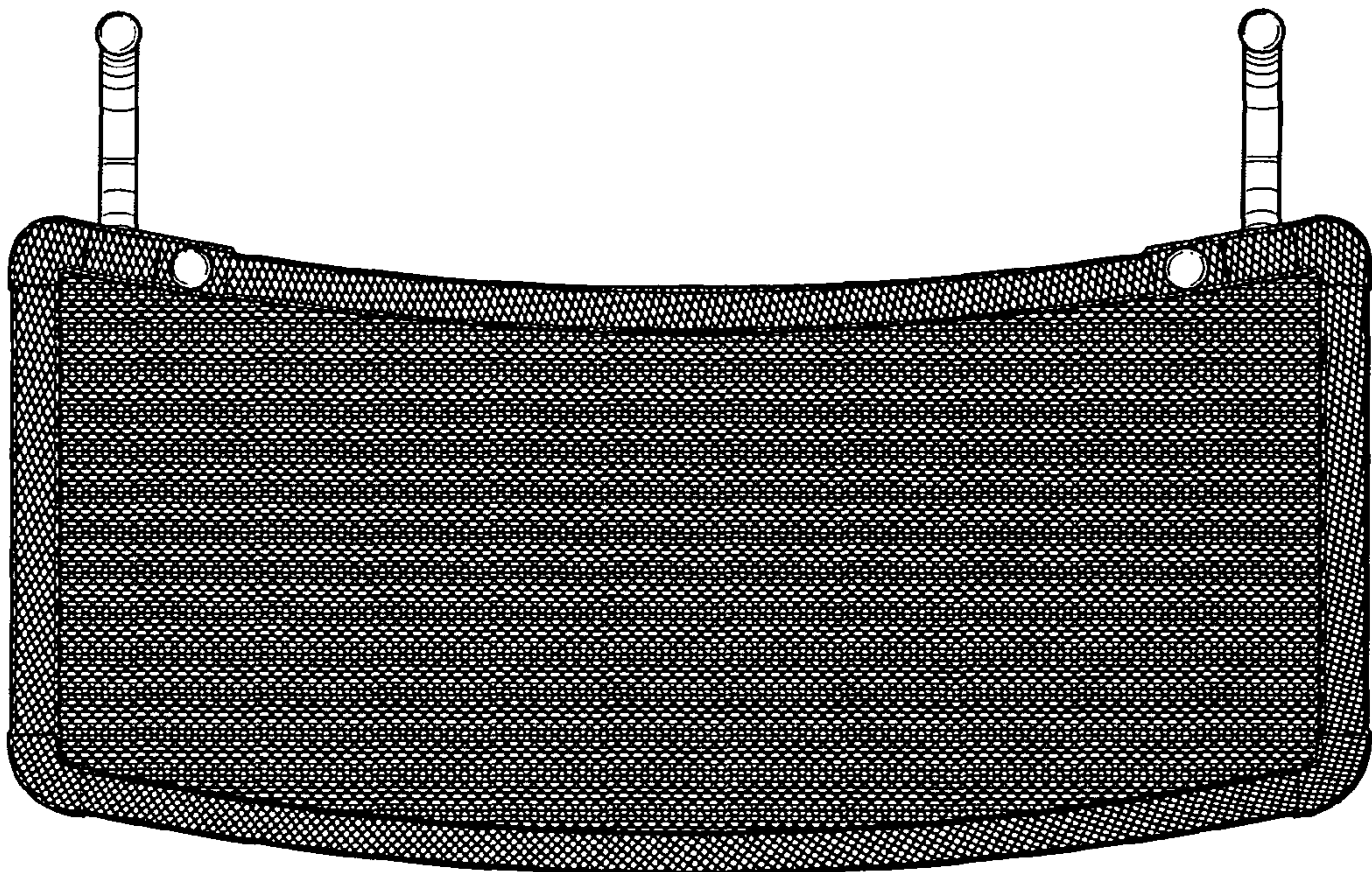
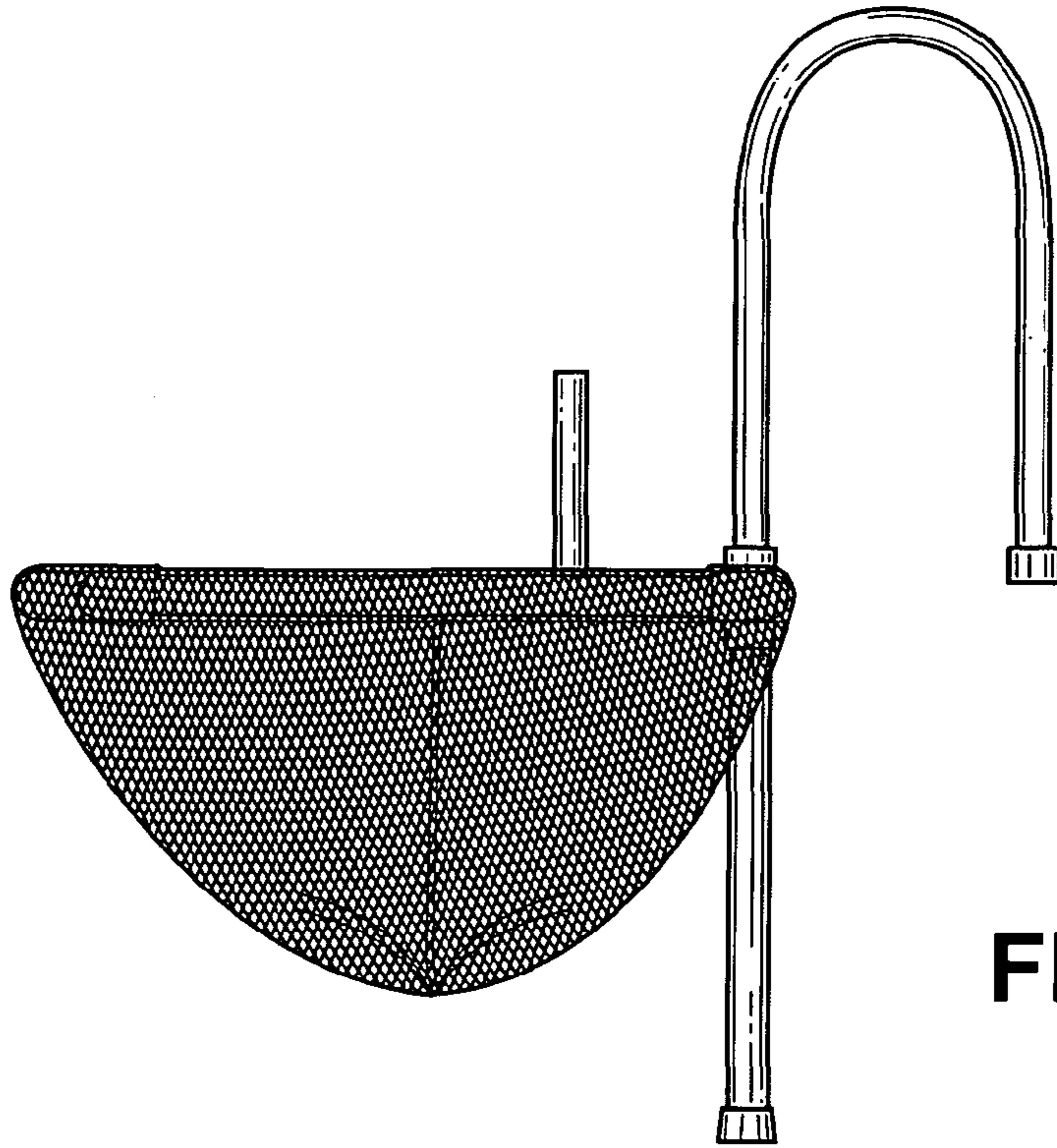
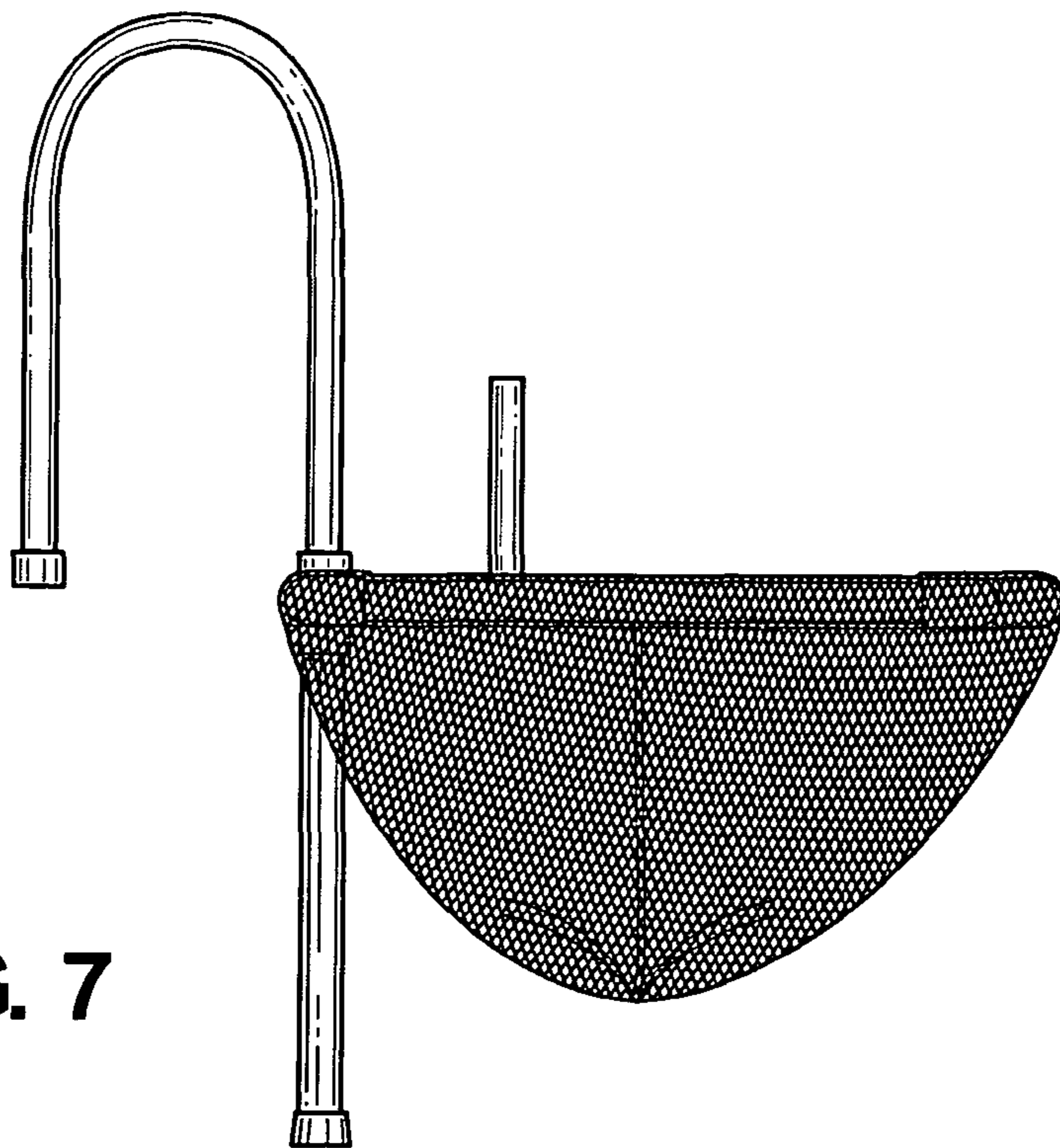


FIG. 5





**FIG. 6**



**FIG. 7**