



US00D685991S

(12) **United States Design Patent**  
**Pearce**

(10) **Patent No.:** **US D685,991 S**  
(45) **Date of Patent:** **\*\* Jul. 16, 2013**

- (54) **TELECOMMUNICATIONS DEVICE CLIP AND BELT HOLDER**
- (75) Inventor: **Timothy Pearce**, Redondo Beach, CA (US)
- (73) Assignee: **Timothy Pearce**, Redondo Beach, CA (US)
- (\*\*) Term: **14 Years**
- (21) Appl. No.: **29/412,239**
- (22) Filed: **Feb. 1, 2012**
- (51) **LOC (9) Cl.** ..... **03-01**
- (52) **U.S. Cl.**  
USPC ..... **D3/218**
- (58) **Field of Classification Search**  
USPC ..... D3/218, 215; 224/197, 199, 219, 224/222, 247, 269, 271–272, 666, 668; 24/3.12, 24/573.11, 580.11, 669, DIG. 60; 248/221.11, 248/518; 455/351  
See application file for complete search history.

- (56) **References Cited**  
  
U.S. PATENT DOCUMENTS  
4,419,794 A \* 12/1983 Horton et al. .... 24/667  
5,347,693 A \* 9/1994 Otrusina ..... 24/573.11  
(Continued)

*Primary Examiner* — Catheri Oliver-Garcia  
(74) *Attorney, Agent, or Firm* — John L. Rogitz

(57) **CLAIM**  
The ornamental design for the telecommunications device clip and belt holder, as shown and described.

**DESCRIPTION**

FIG. 1 is a perspective of the clip portion of the telecommunications device clip and belt holder from a first perspective angle;

FIG. 2 is a perspective of the clip portion of the telecommunications device clip and belt holder from a second perspective angle;

FIG. 3 is a front elevational view of the clip portion of the telecommunications device clip and belt holder shown in FIG. 1;

FIG. 4 is a rear elevational view of the clip portion of the telecommunications device clip and belt holder shown in FIG. 1;

FIG. 5 is a right side elevational view of the clip portion of the telecommunications device clip and belt holder shown in FIG. 1;

FIG. 6 is a left side elevational view of the clip portion of the telecommunications device clip and belt holder shown in FIG. 1;

FIG. 7 is a top plan view of the clip portion of the telecommunications device clip and belt holder shown in FIG. 1;

FIG. 8 is a bottom plan view of the clip portion of the telecommunications device clip and belt holder shown in FIG. 1;

FIG. 9 is a perspective of the belt holder portion of the telecommunications device clip and belt holder from a first perspective angle;

FIG. 10 is a perspective of the belt holder portion of the telecommunications device clip and belt holder from a second perspective angle;

FIG. 11 is a front elevational view of the belt holder portion of the telecommunications device clip and belt holder shown in FIG. 9;

FIG. 12 is a rear elevational view of the belt holder portion of the telecommunications device clip and belt holder shown in FIG. 9;

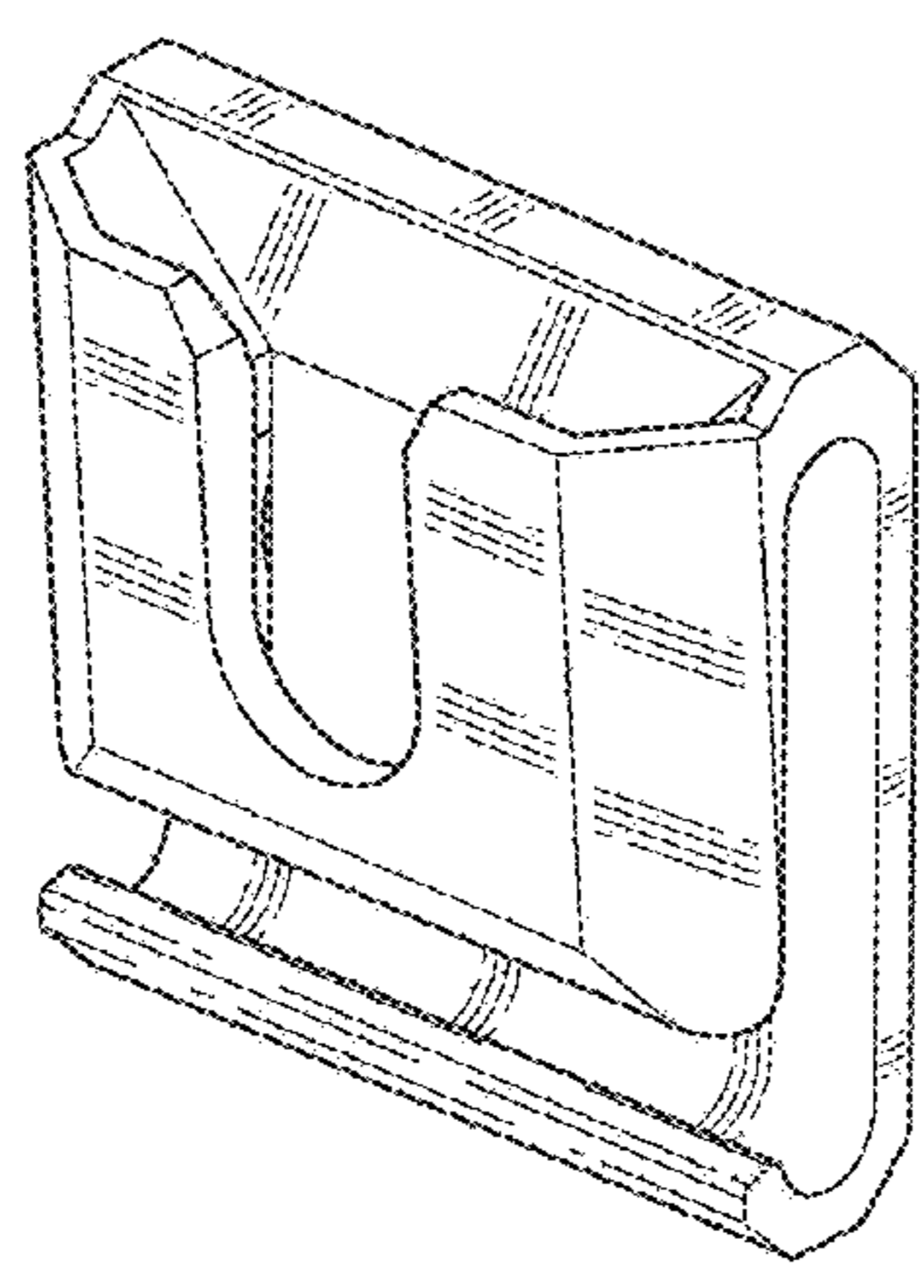
FIG. 13 is a right side elevational view of the belt holder portion of the telecommunications device clip and belt holder shown in FIG. 9;

FIG. 14 is a left side elevational view of the belt holder portion of the telecommunications device clip and belt holder shown in FIG. 9;

FIG. 15 is a top plan view of the belt holder portion of the telecommunications device clip and belt holder shown in FIG. 9; and,

FIG. 16 is a bottom plan view of the belt holder portion of the telecommunications device clip and belt holder shown in FIG. 9.

**1 Claim, 6 Drawing Sheets**



# US D685,991 S

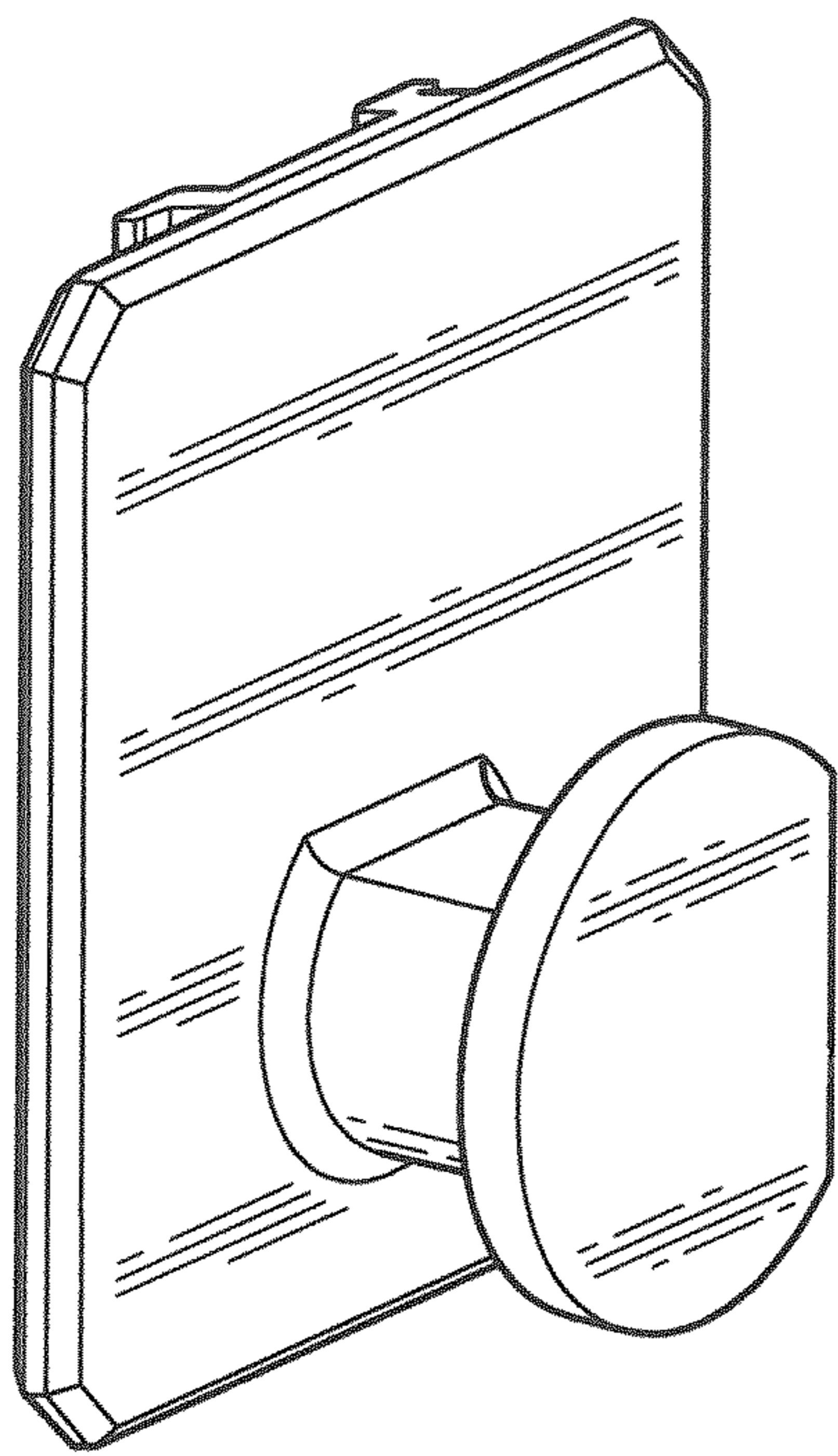
Page 2

---

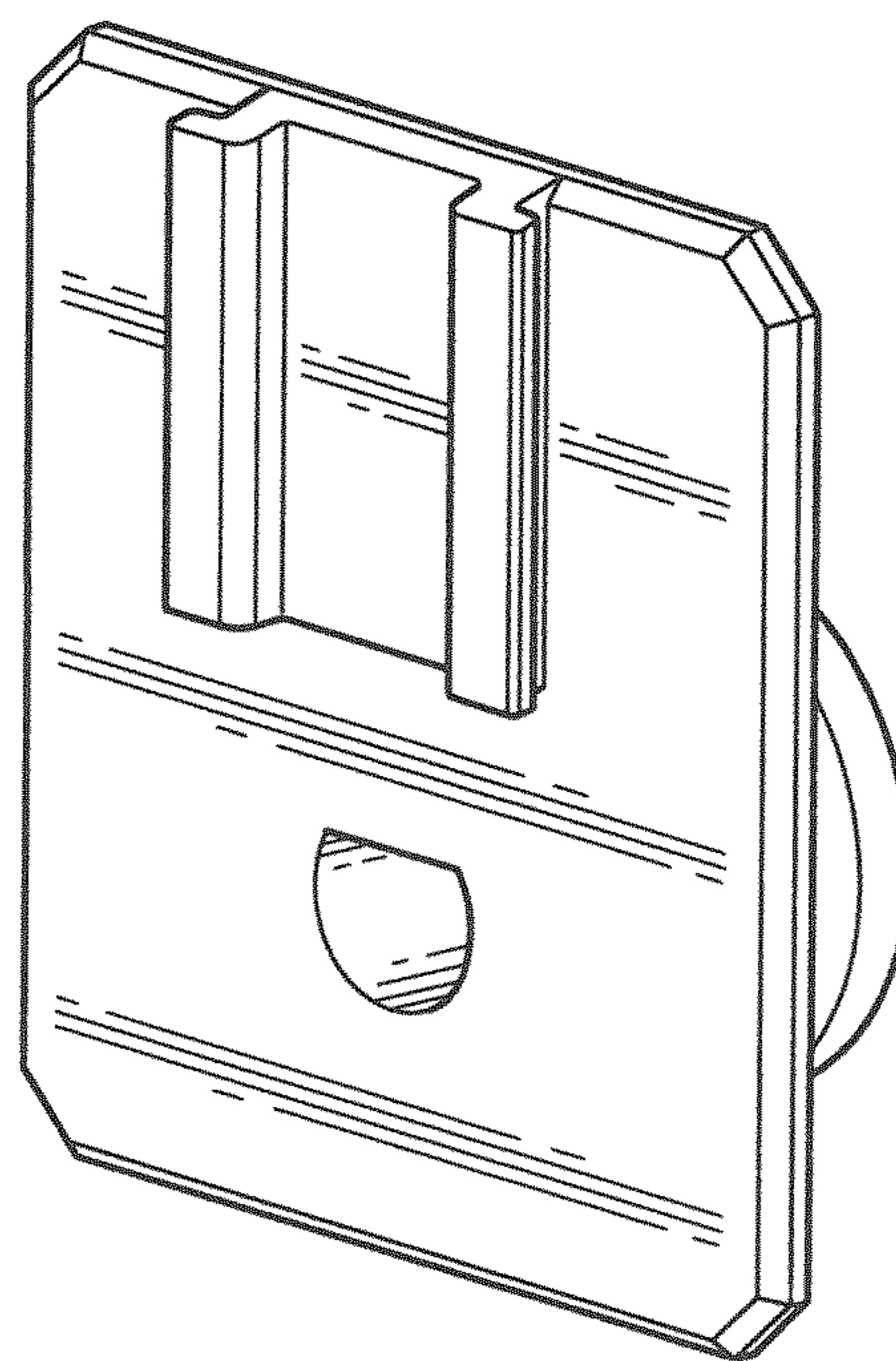
## U.S. PATENT DOCUMENTS

5,584,423	A *	12/1996	Wang	.....	224/197	D609,460	S *	2/2010	Riccardi	.....	D3/218
D478,418	S *	8/2003	Badillo et al.	.....	D3/218	8,141,210	B2 *	3/2012	Colorado	.....	24/3.12
D548,960	S *	8/2007	Tages et al.	.....	D3/218	D675,014	S *	1/2013	Adelman et al.	.....	D3/218

\* cited by examiner



*FIG. 1*



*FIG. 2*

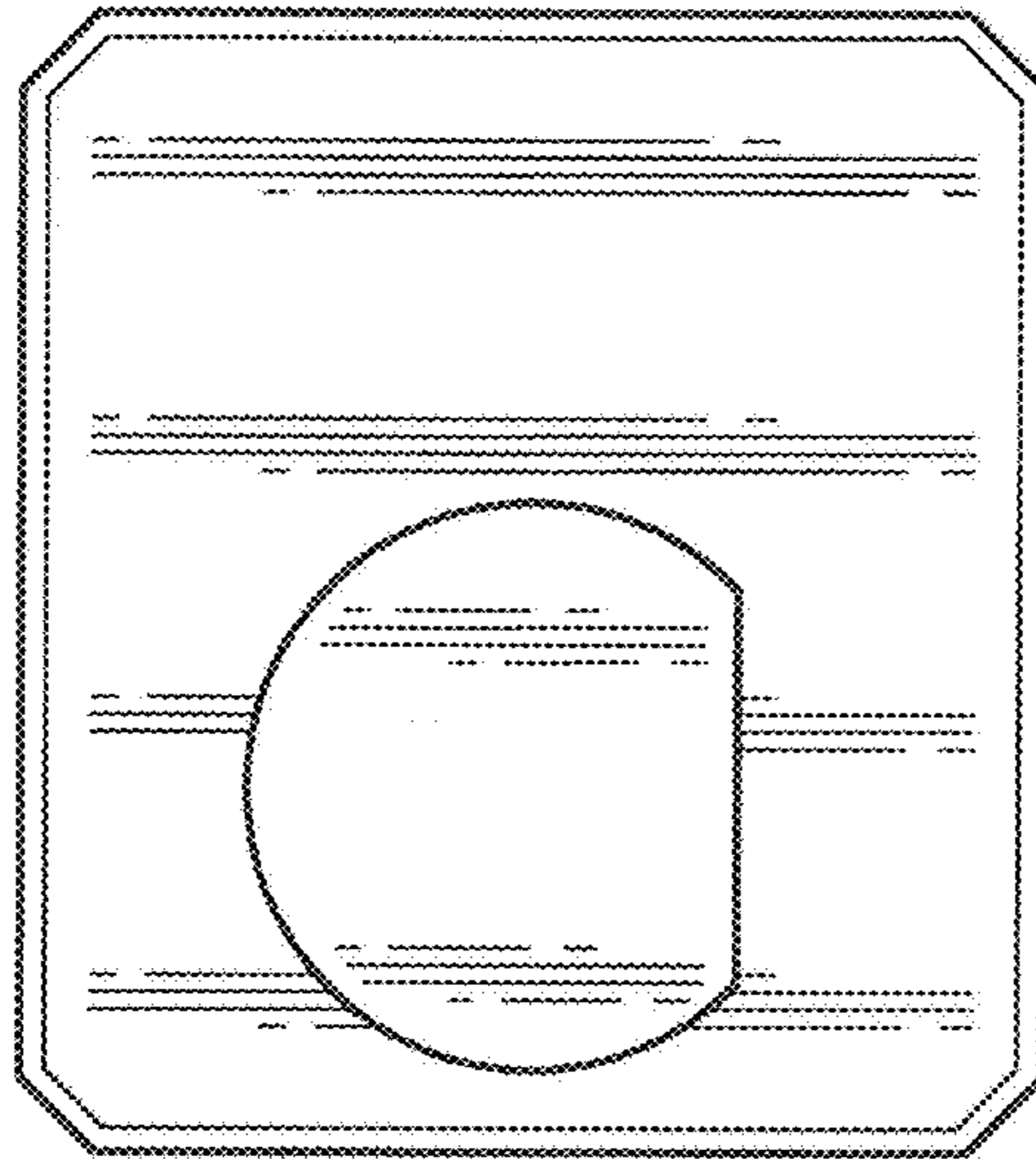


FIG. 3

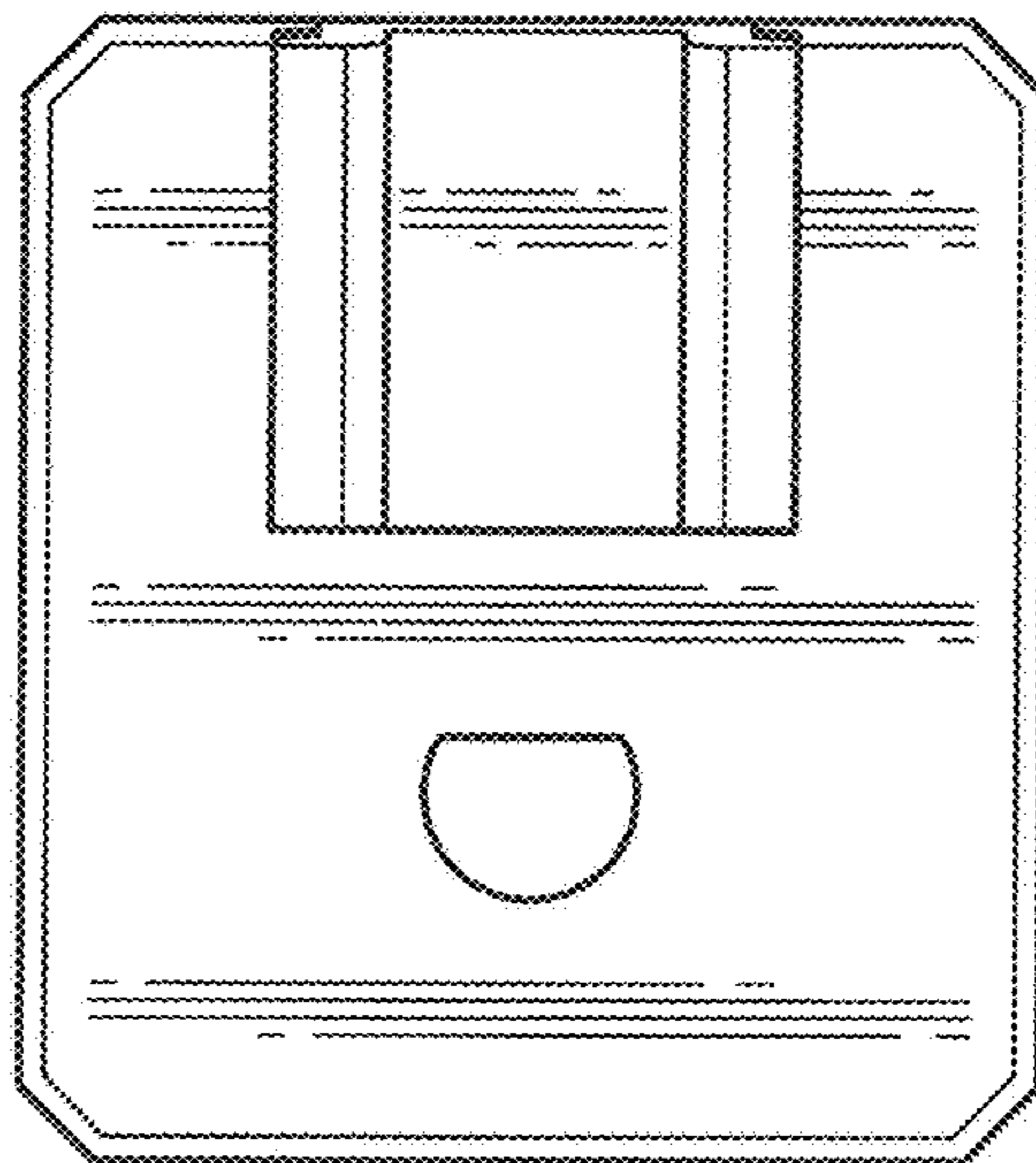


FIG. 4

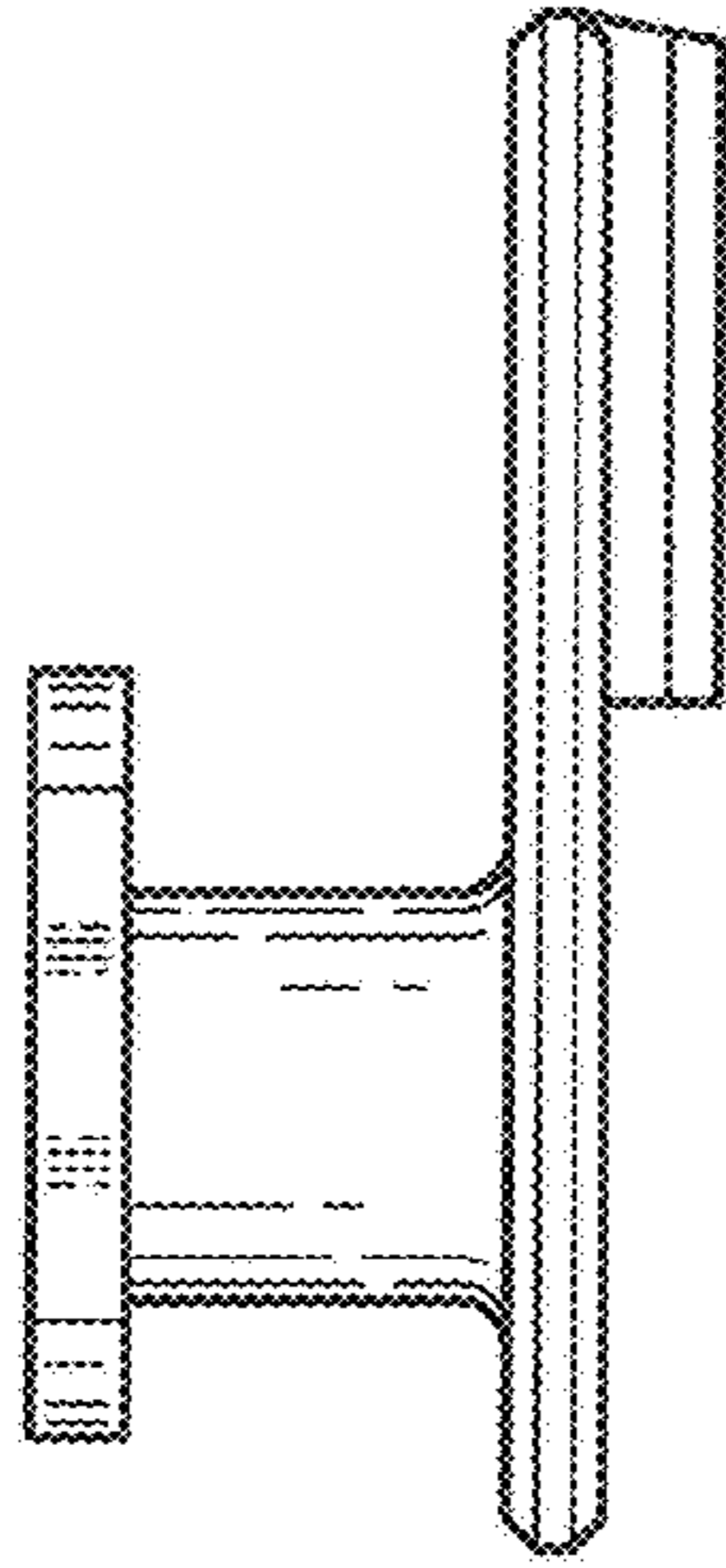


FIG. 5

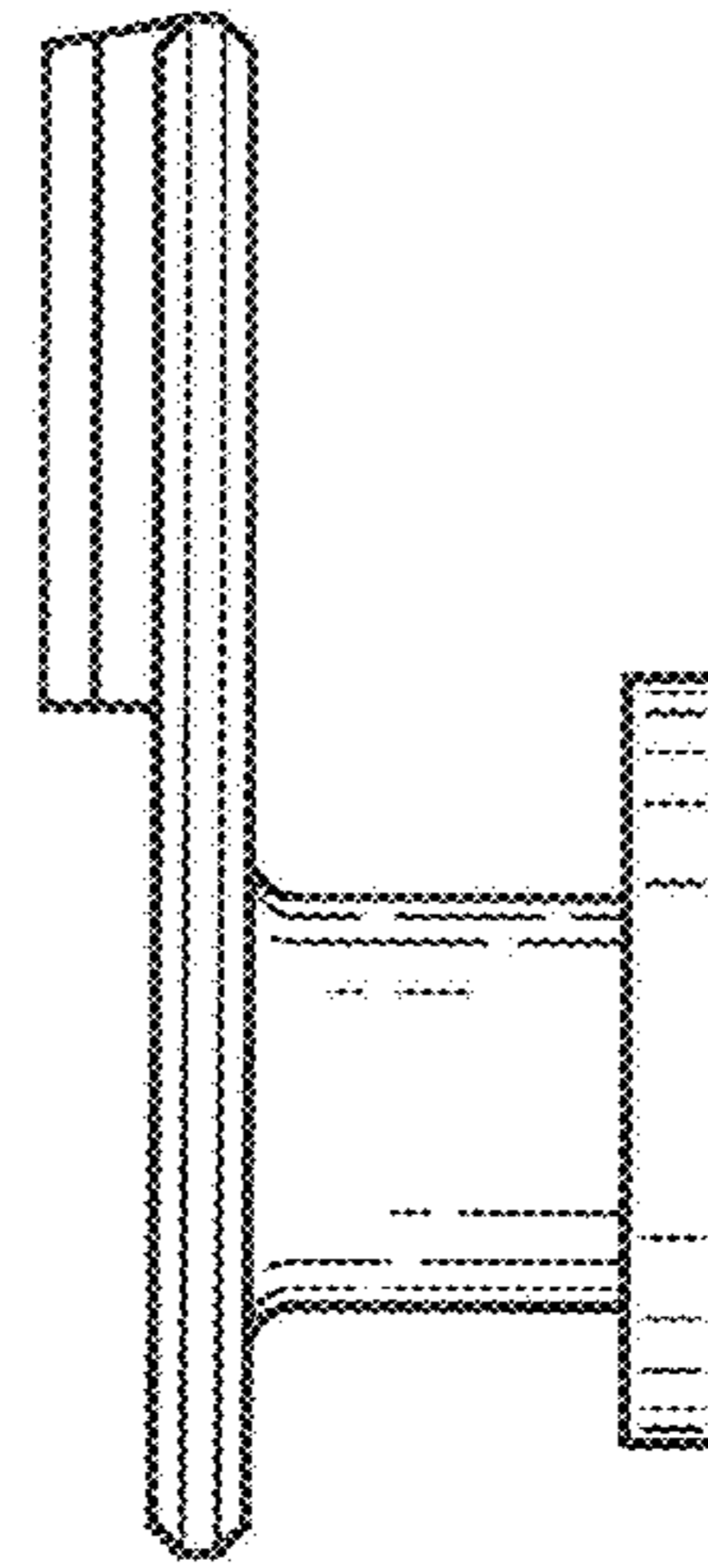


FIG. 6

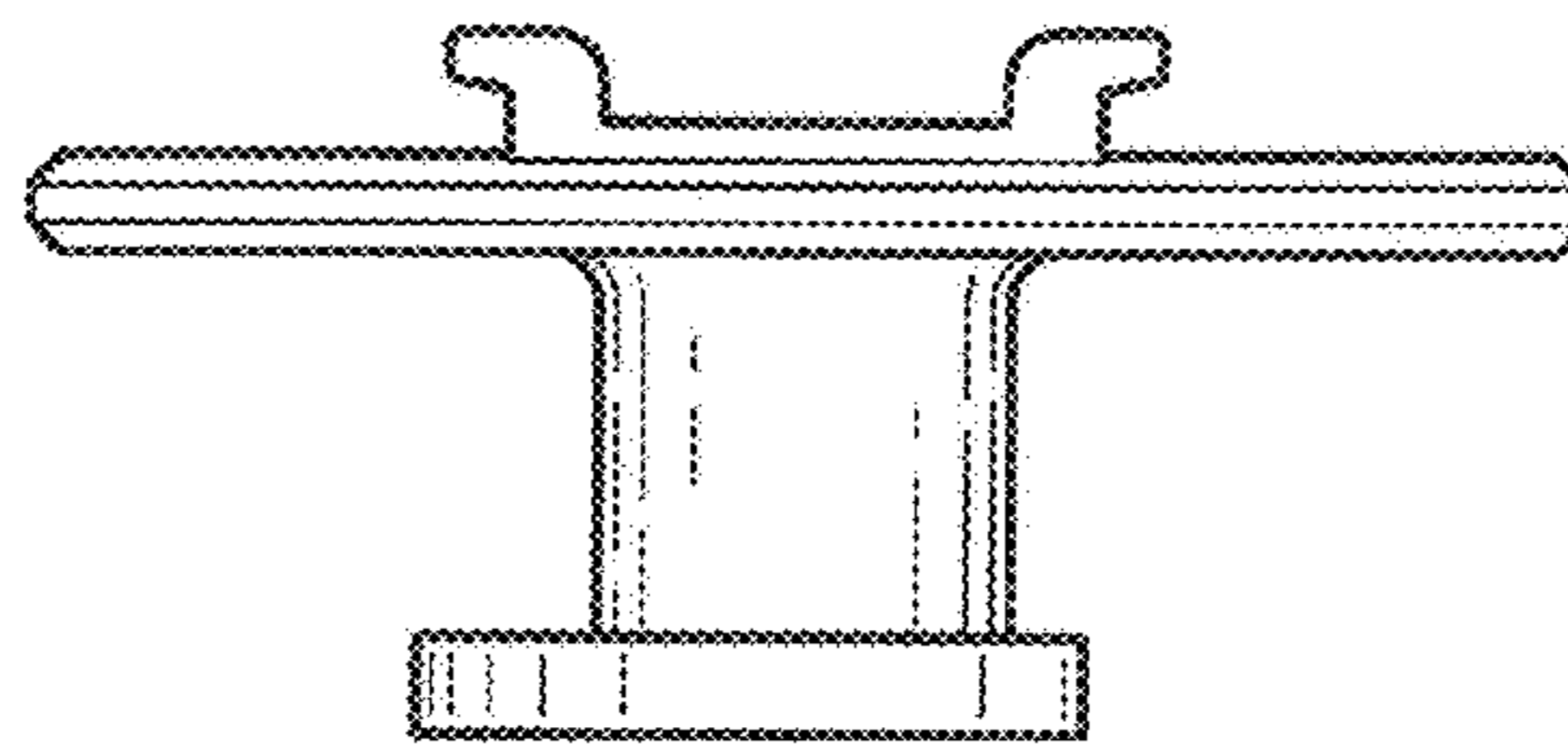


FIG. 7

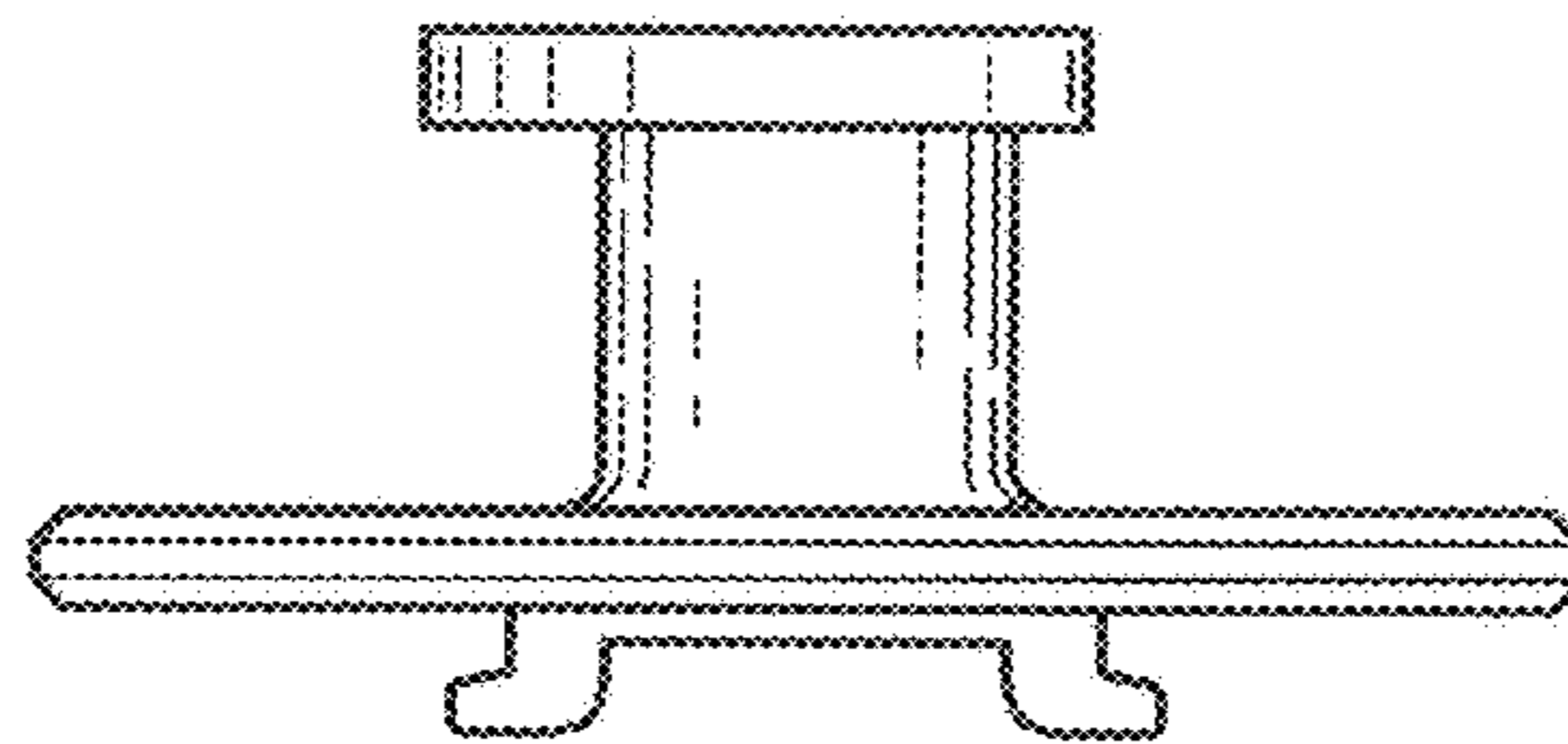


FIG. 8

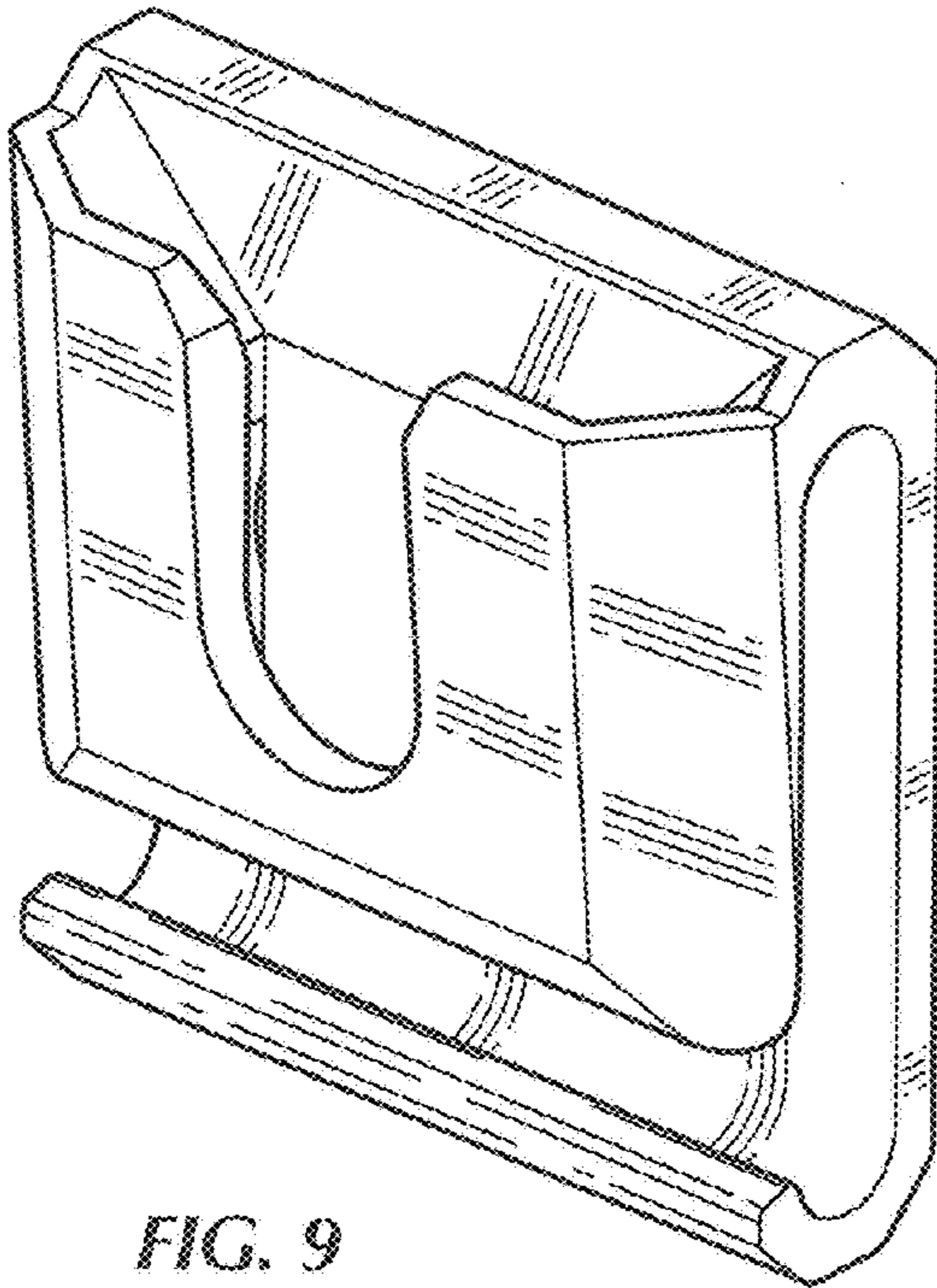


FIG. 9

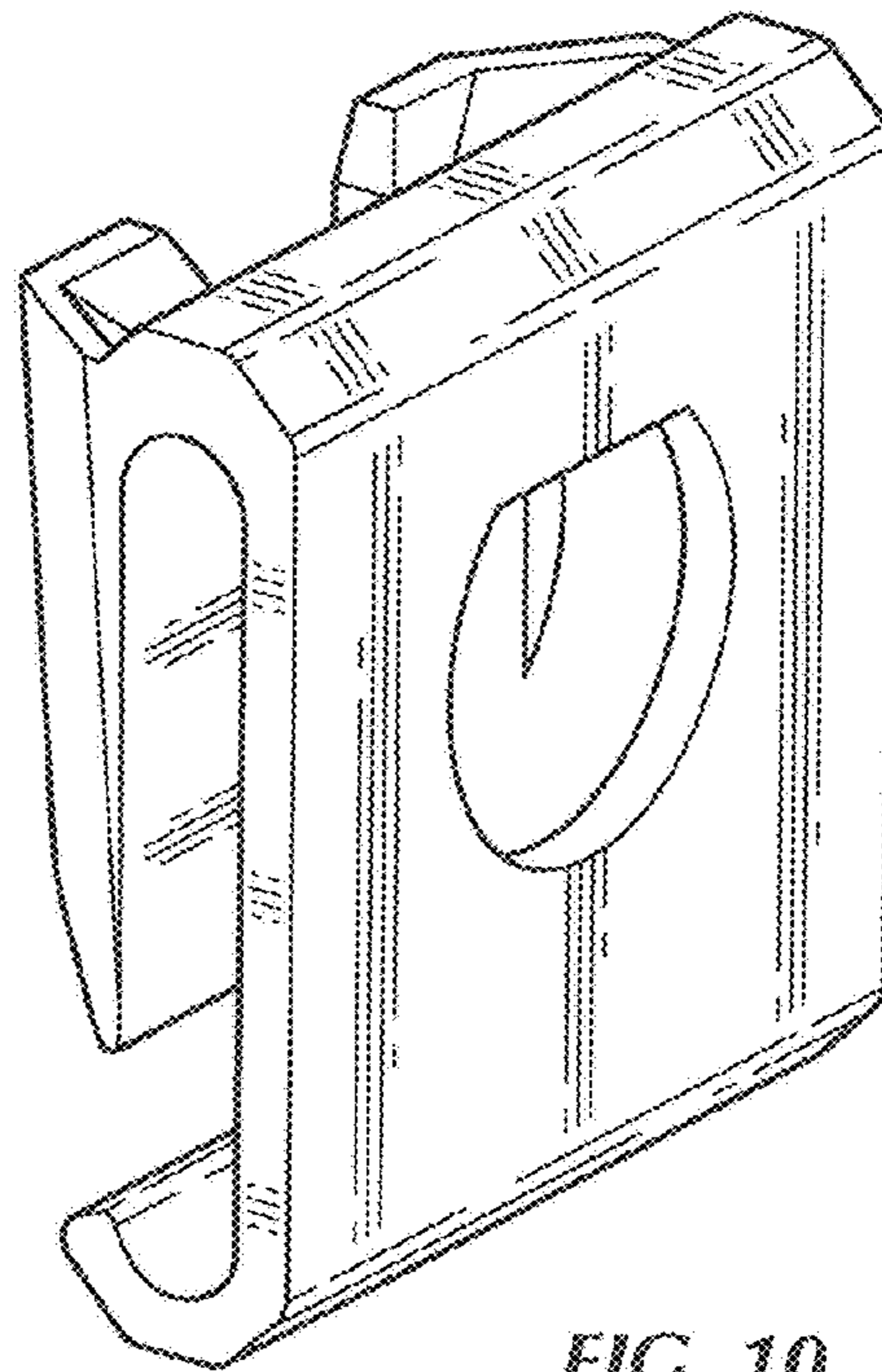


FIG. 10

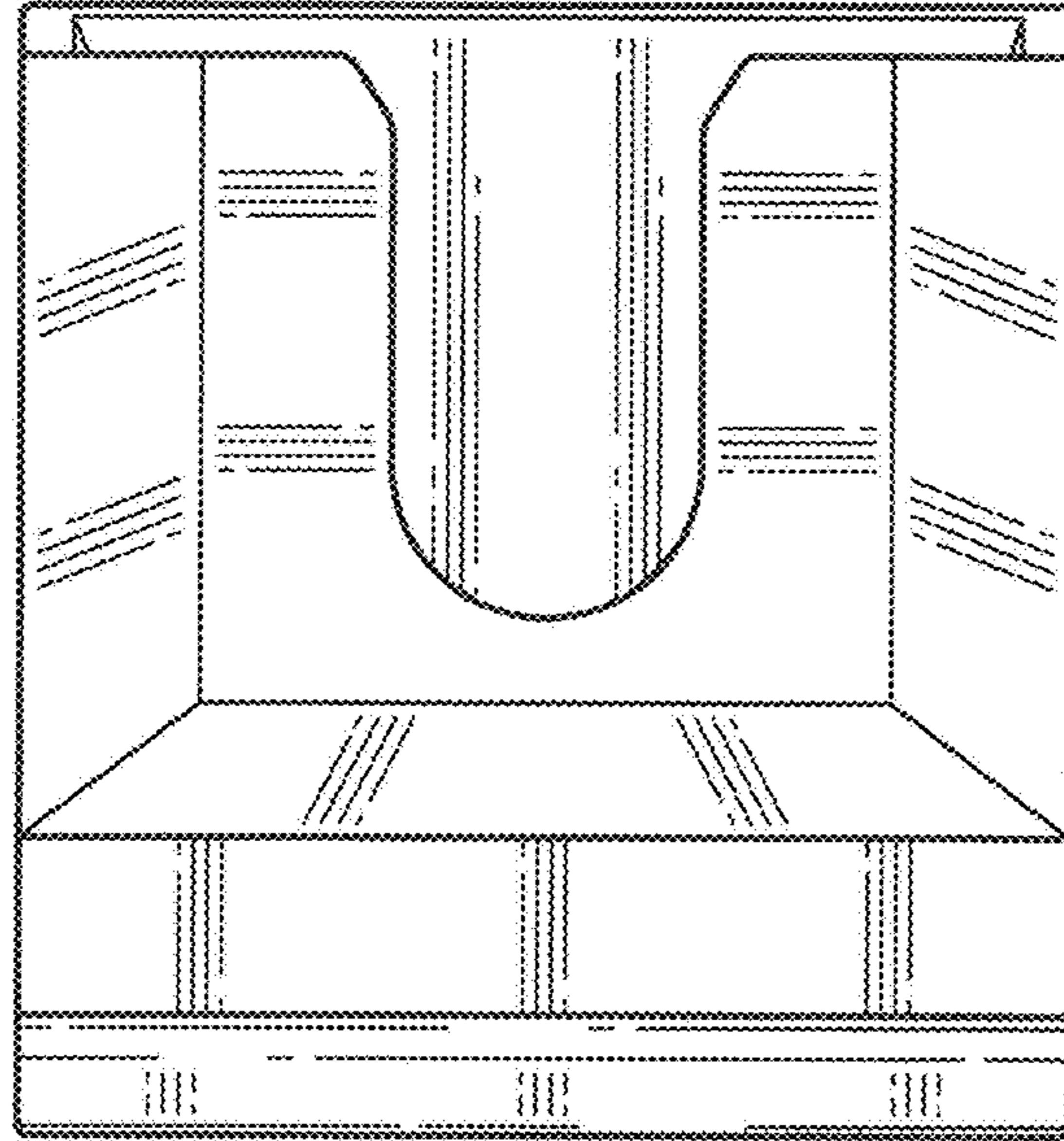


FIG. 11

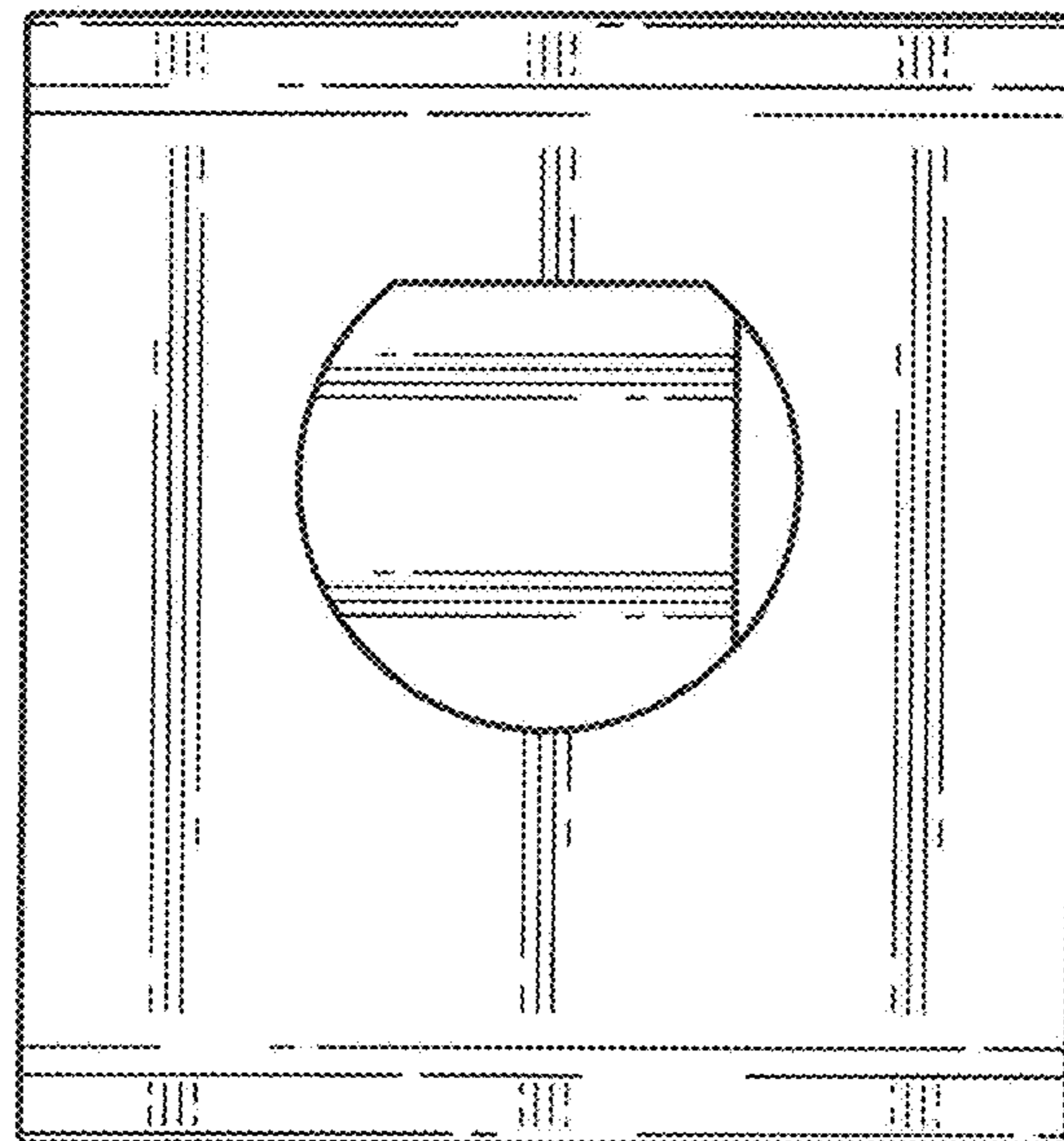


FIG. 12

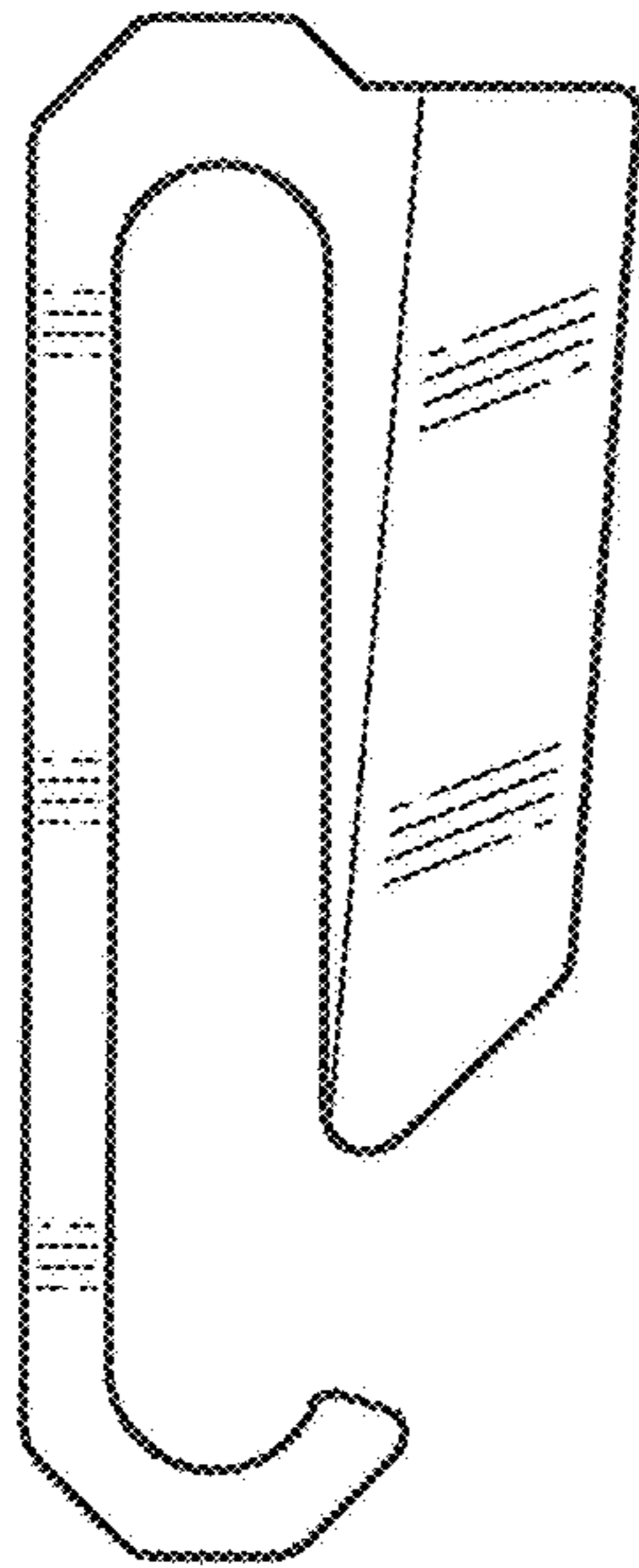


FIG. 13

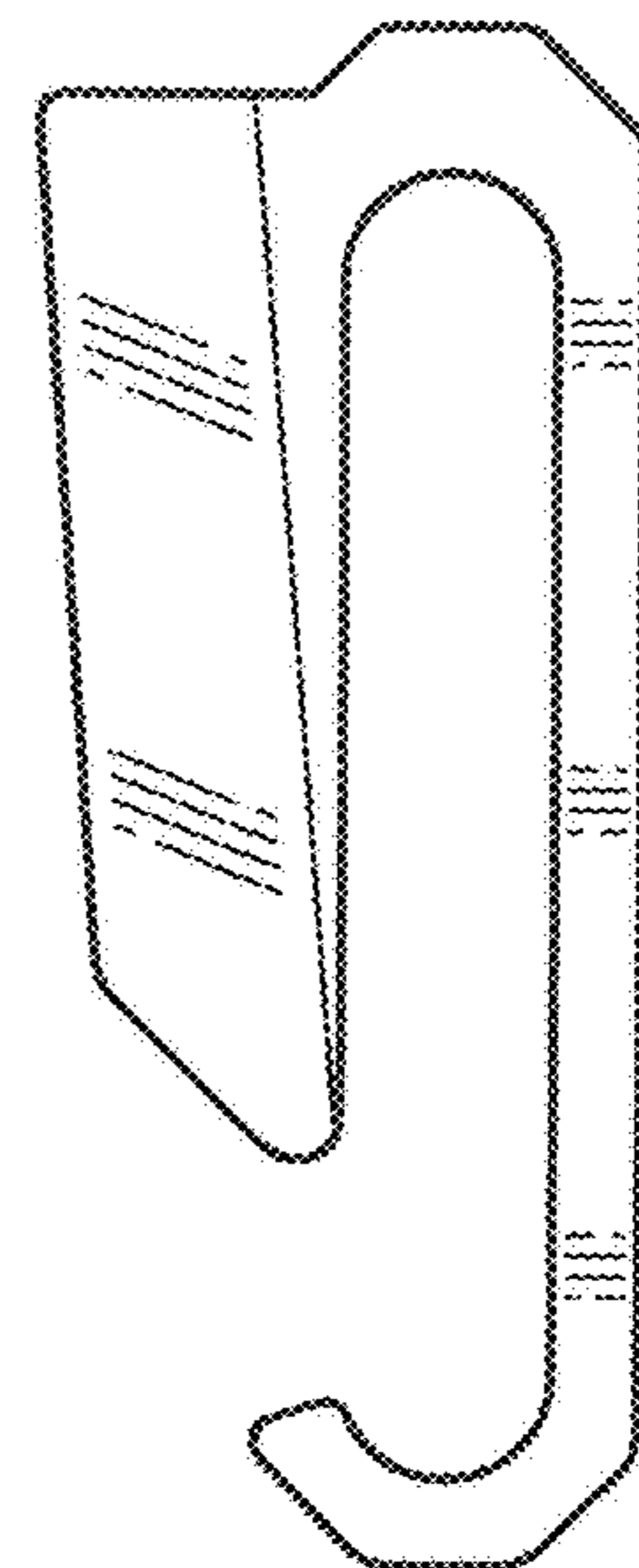


FIG. 14

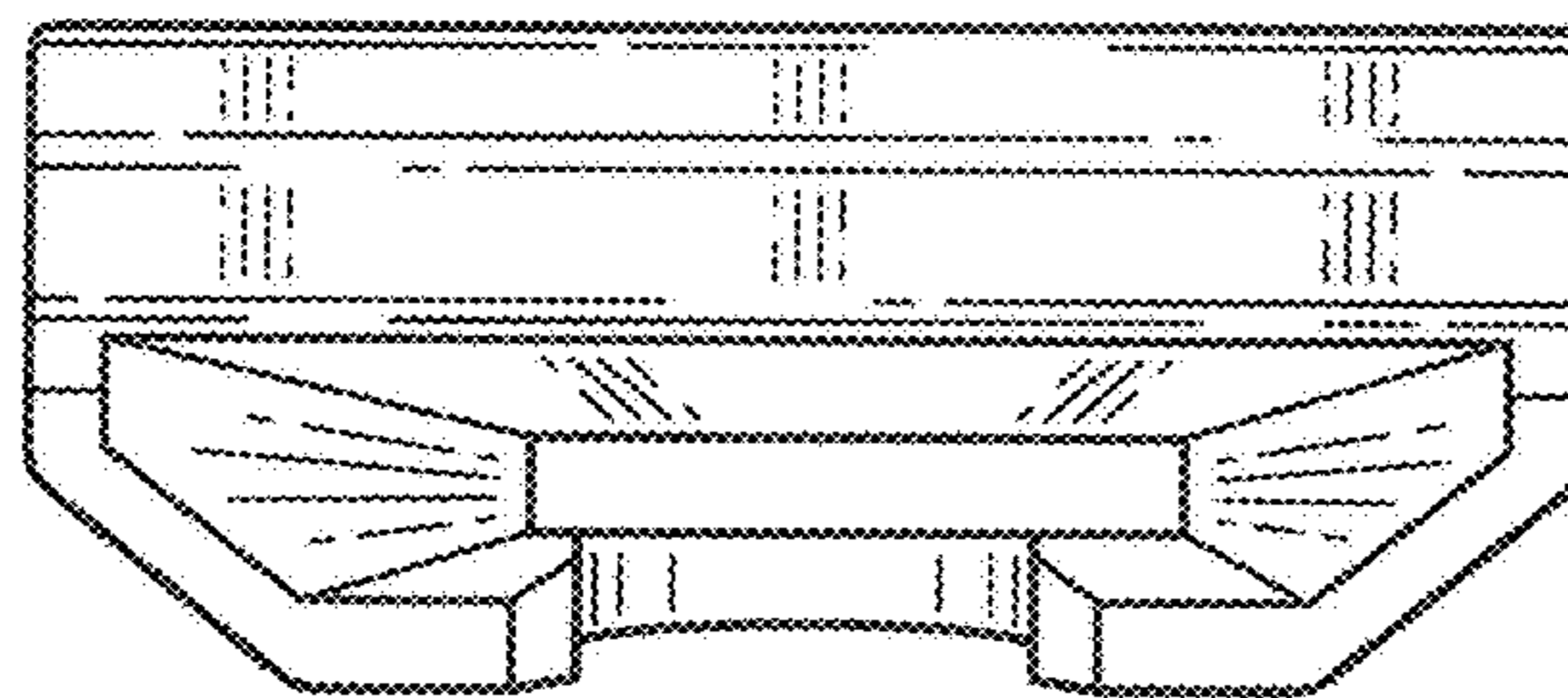


FIG. 15

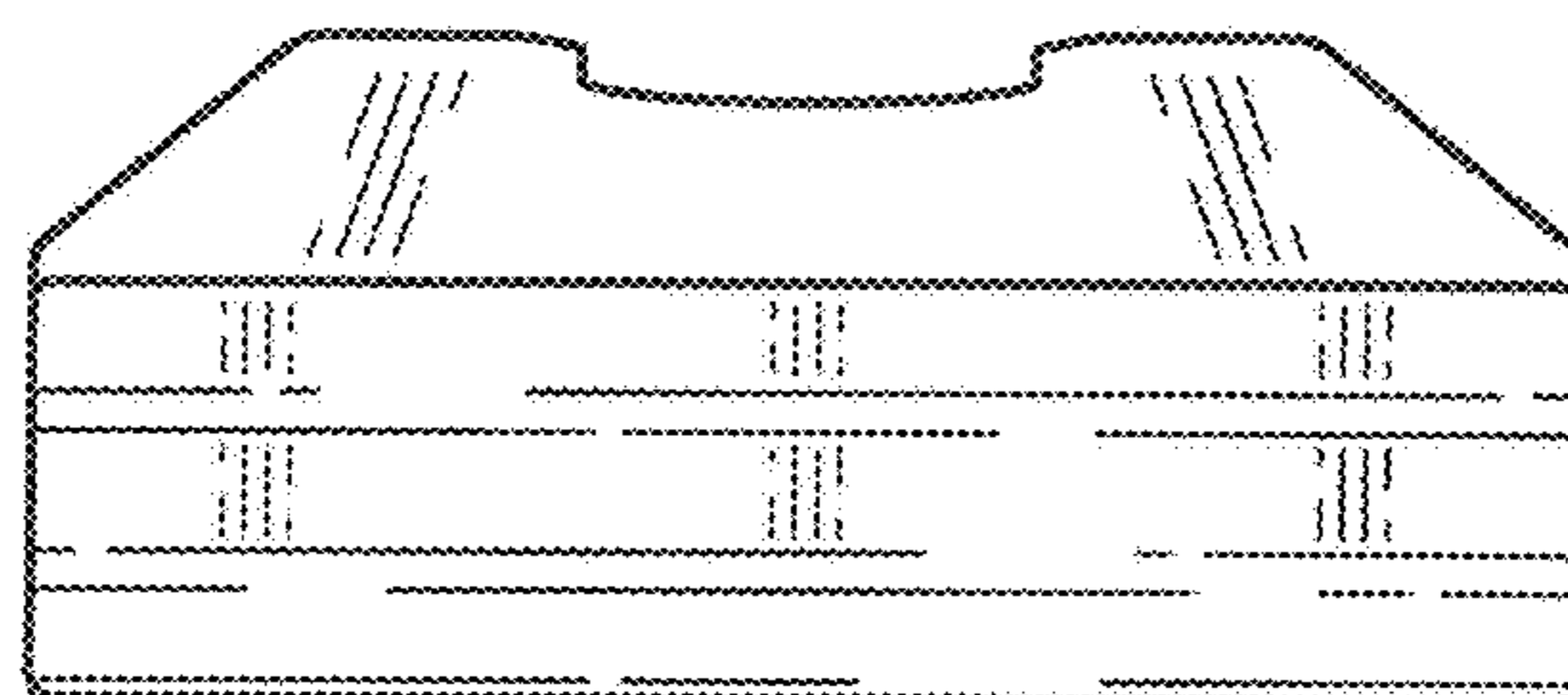


FIG. 16