



US00D685990S

(12) **United States Design Patent**
Zhang

(10) **Patent No.:** **US D685,990 S**

(45) **Date of Patent:** **** Jul. 16, 2013**

(54) **SMART PHONE CASE**

(57) **CLAIM**

The ornamental design for an smart phone case, as shown and described.

(76) Inventor: **Yu Long Zhang**, Brooklyn, NY (US)

DESCRIPTION

(**) Term: **14 Years**

FIG. 1 is an isometric view of the front cover of the smart phone case, which embodies my design;

(21) Appl. No.: **29/409,825**

FIG. 2 is a front view of the front cover of the smart phone case;

(22) Filed: **Dec. 29, 2011**

FIG. 3 is a rear view of the front cover of the smart phone case; FIG. 4 is a right side view of the front cover of the smart phone case;

(51) **LOC (9) Cl.** **03-01**

FIG. 5 is a left side view of the front cover of the smart phone case;

(52) **U.S. Cl.**

USPC **D3/218**

FIG. 6 is a top plane view of the front cover of the smart phone case;

(58) **Field of Classification Search**

USPC D3/215–219, 226, 269, 272–273, D3/265; 206/305, 320, 701; 455/42, 90, 92, 455/90.3; 379/455, 575.1–575.8; D14/138, D14/248, 250–251, 253; 361/679.3, 679.55, 361/679.56

FIG. 7 is a bottom plane view of the front cover of the smart phone case;

See application file for complete search history.

FIG. 8 is an isometric view of the back cover of the smart phone case;

(56) **References Cited**

U.S. PATENT DOCUMENTS

D565,290 S *	4/2008	Brandenburg et al.	D3/218
D656,309 S *	3/2012	Renelt et al.	D3/218
D657,137 S *	4/2012	Weller et al.	D3/218
D675,014 S *	1/2013	Adelman et al.	D3/218
8,395,894 B2 *	3/2013	Richardson et al.	361/679.55

FIG. 9 is a rear view of the rear cover of the smart phone case;

* cited by examiner

FIG. 10 is a front view of the rear cover of the smart phone case;

Primary Examiner — Catheri Oliver-Garcia

FIG. 11 is a right side view of the rear cover of the smart phone case;

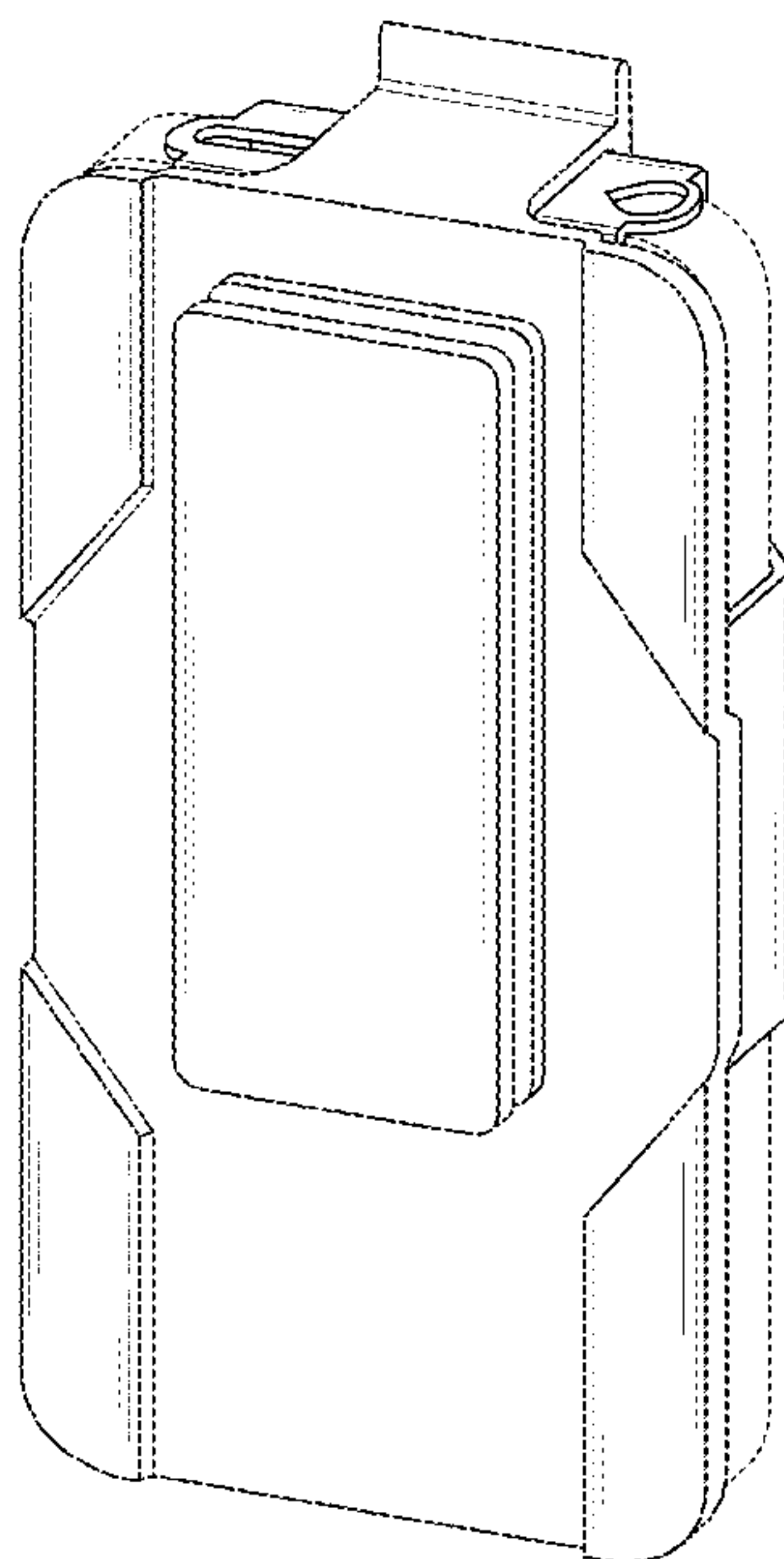
(74) *Attorney, Agent, or Firm* — Gary E. Lambert; David J. Connaughton, Jr.; Lambert & Associates

FIG. 12 is a top plane view of the rear cover of the smart phone case;

FIG. 13 is a bottom plane view of the rear cover of the smart phone case; and,
FIG. 14 is an illustrative view of a smart phone showing my new design in a position of use.

The broken line showing of the smart phone in FIG. 14 is for illustrative purposes only and forms no part of the claimed design.

1 Claim, 7 Drawing Sheets



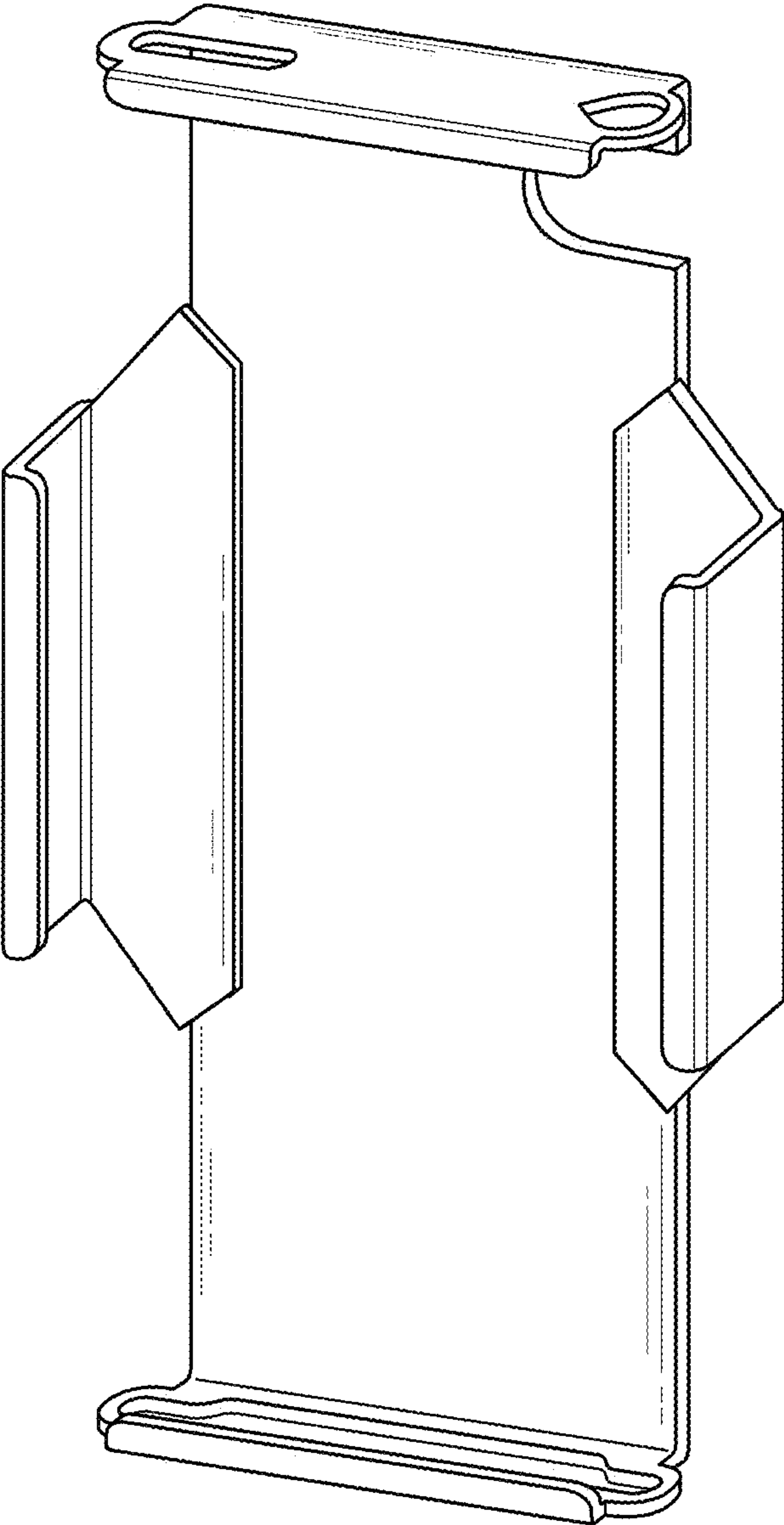


Fig. 1

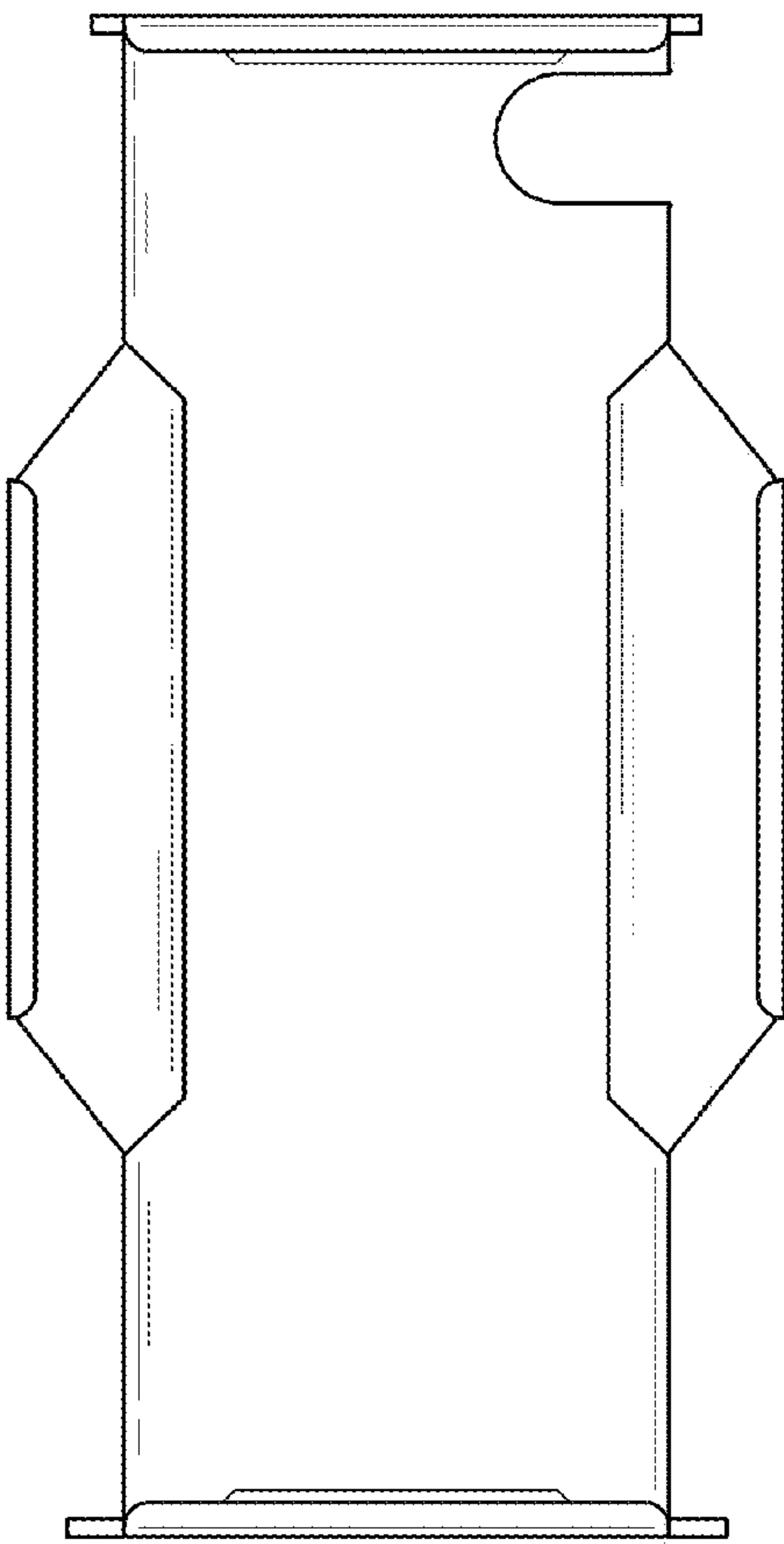


Fig. 2

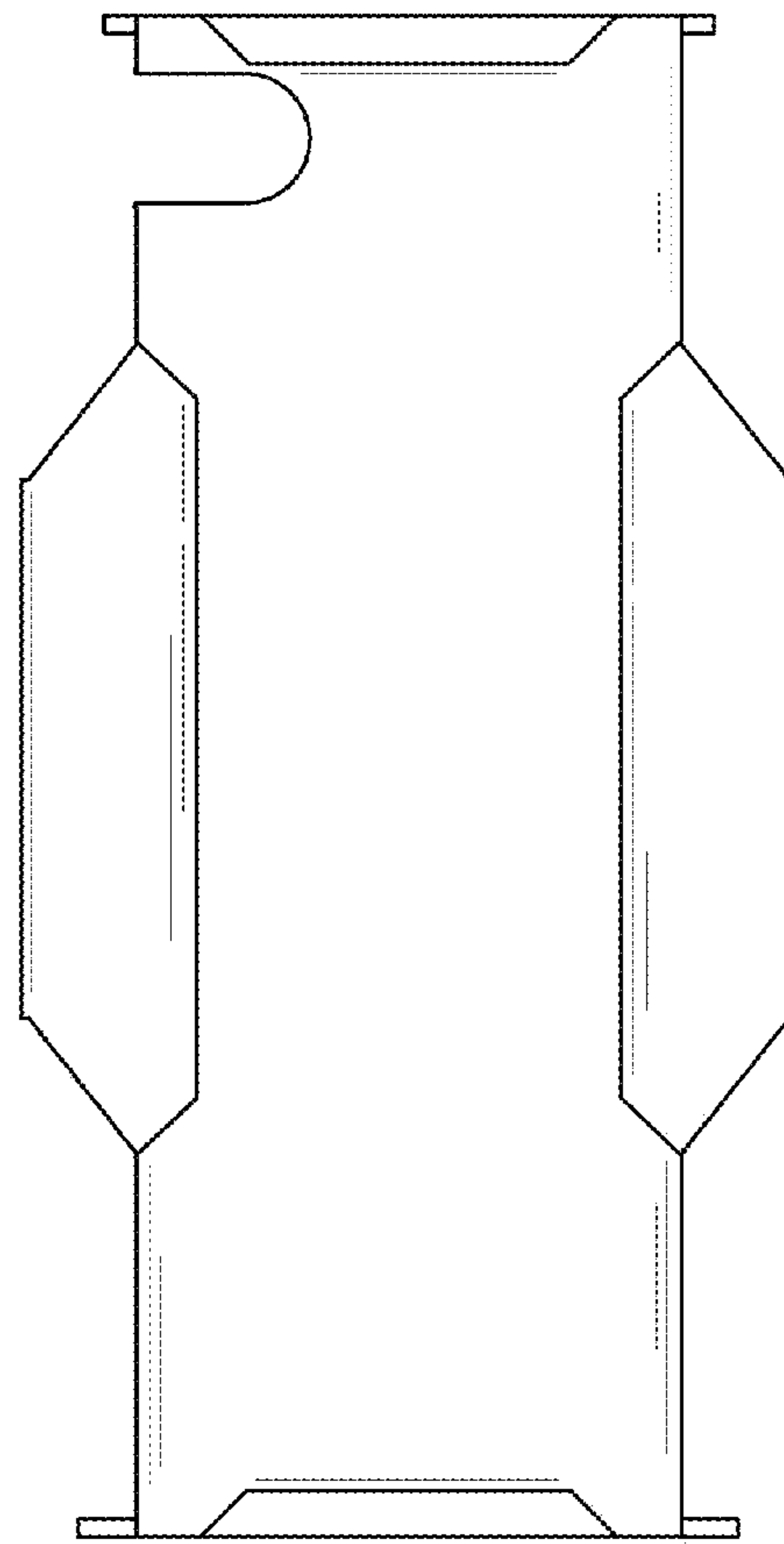


Fig. 3

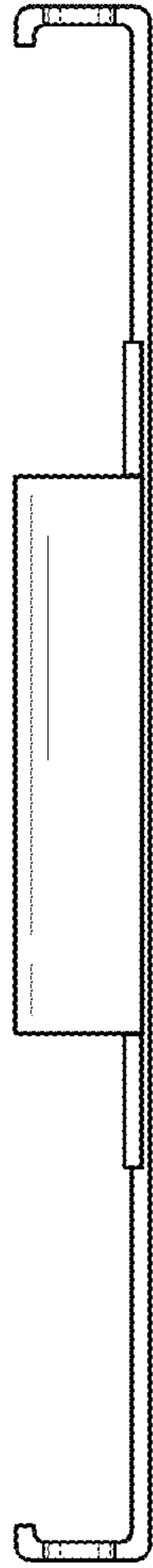


Fig. 4

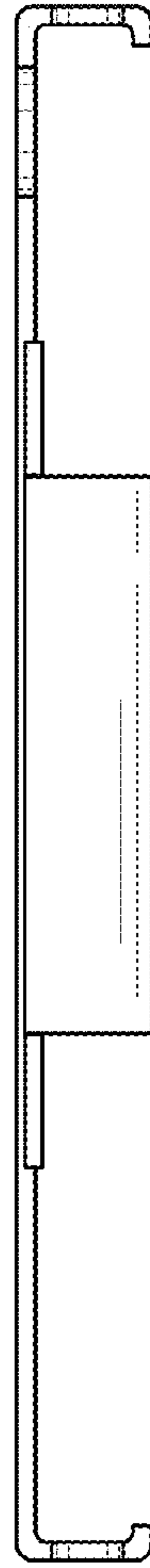


Fig. 5

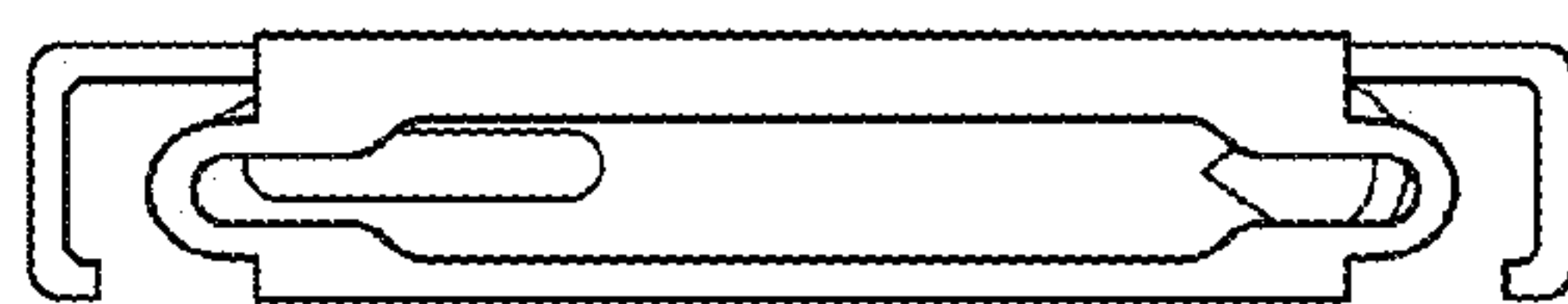


Fig. 6



Fig. 7

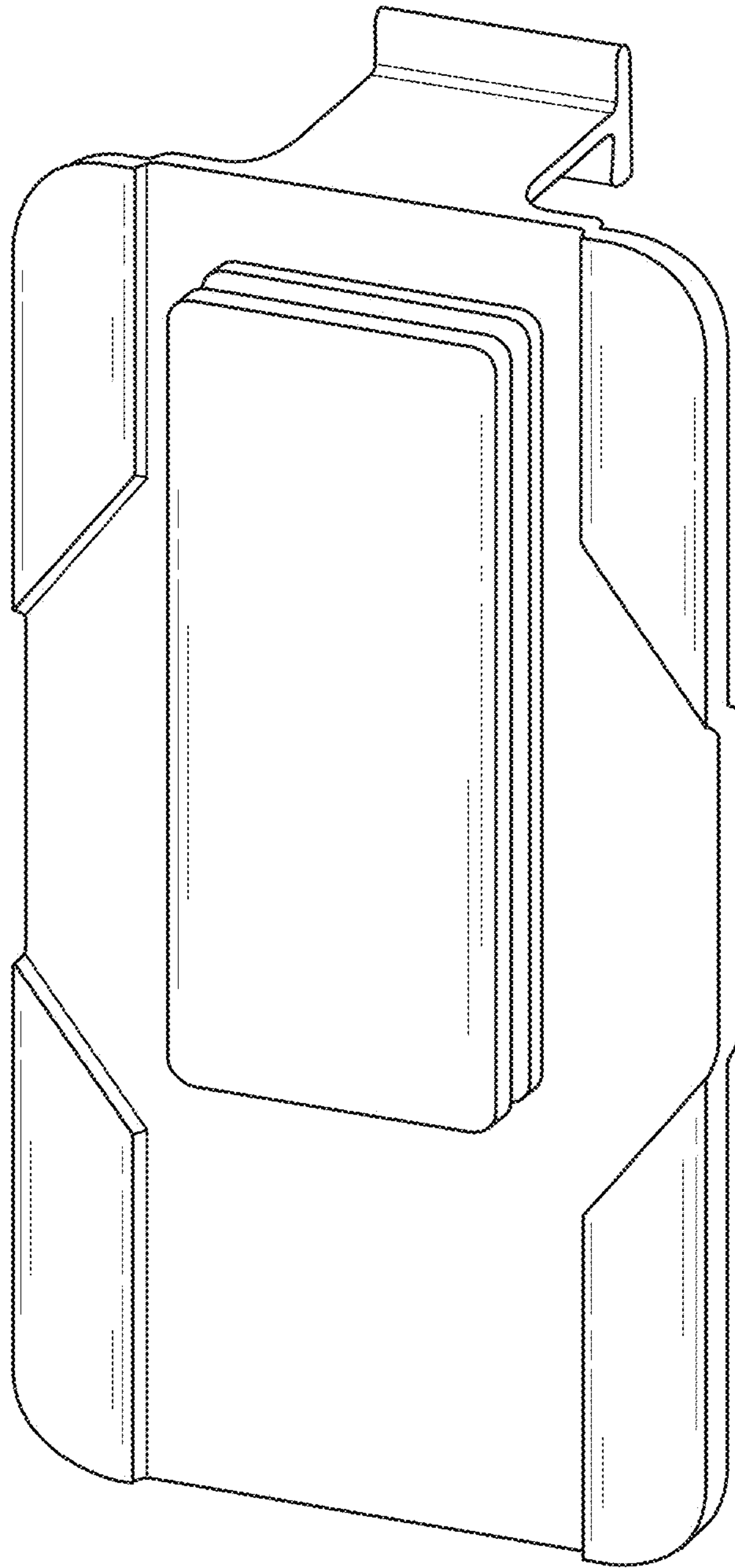


Fig. 8

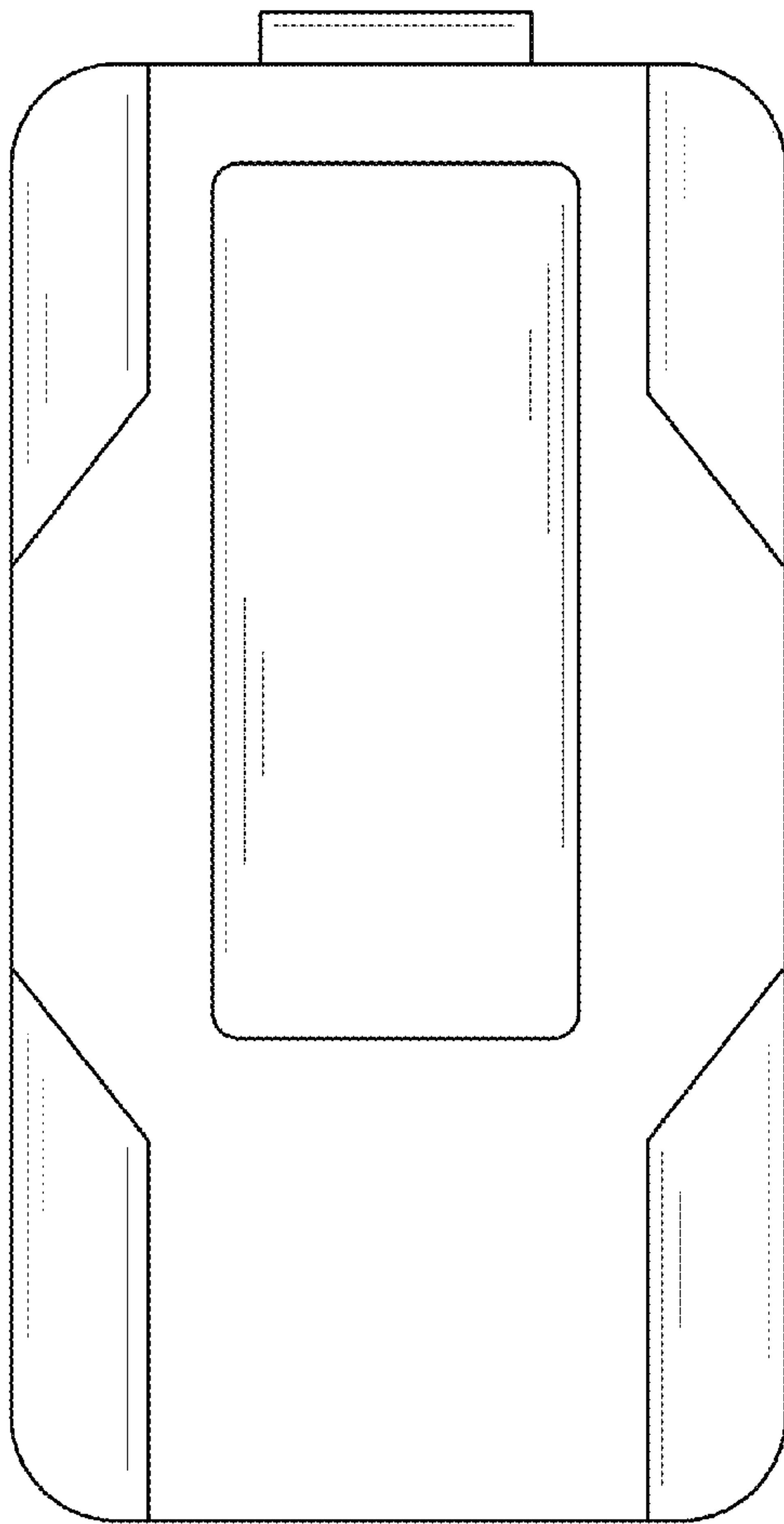


Fig. 9

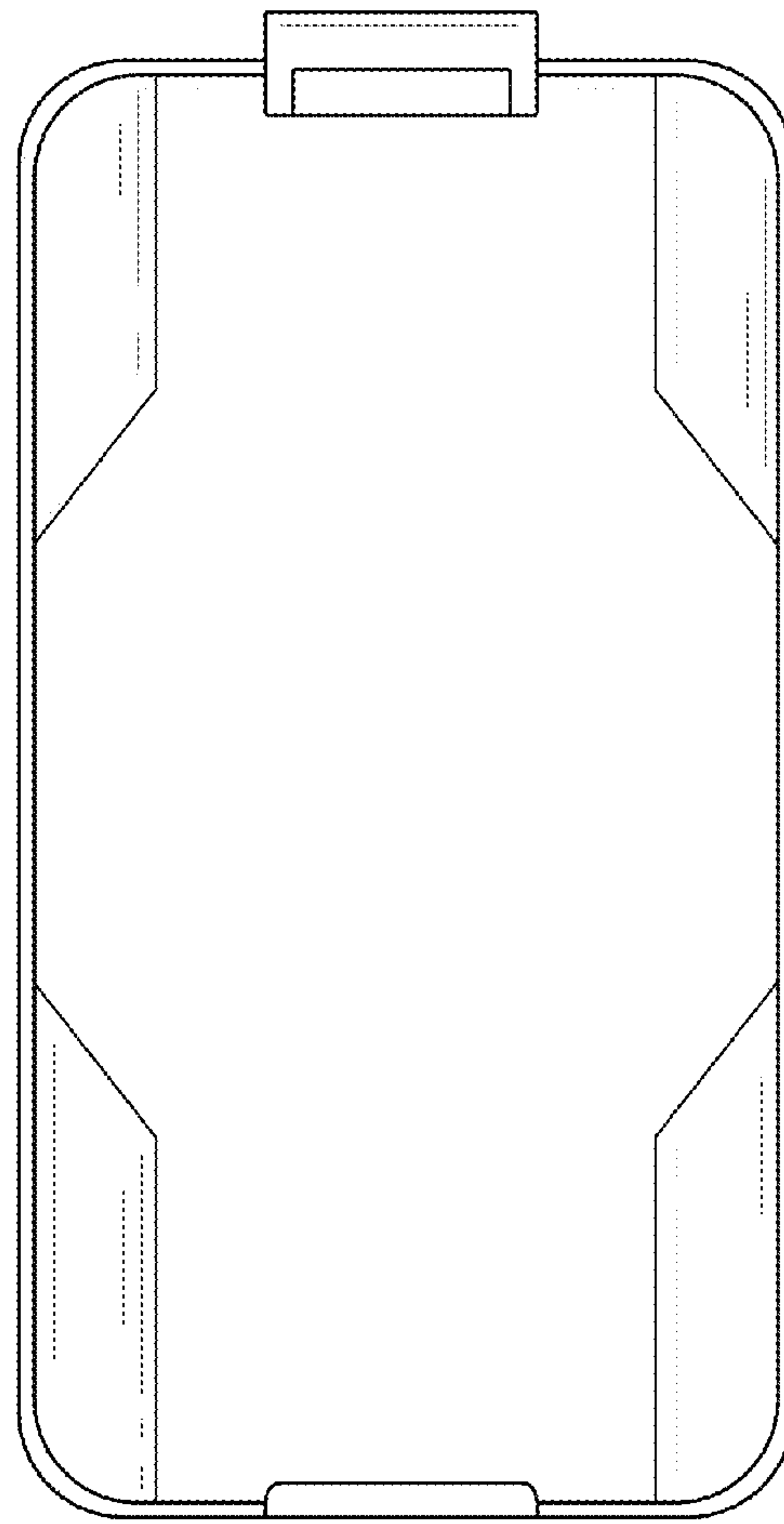


Fig. 10

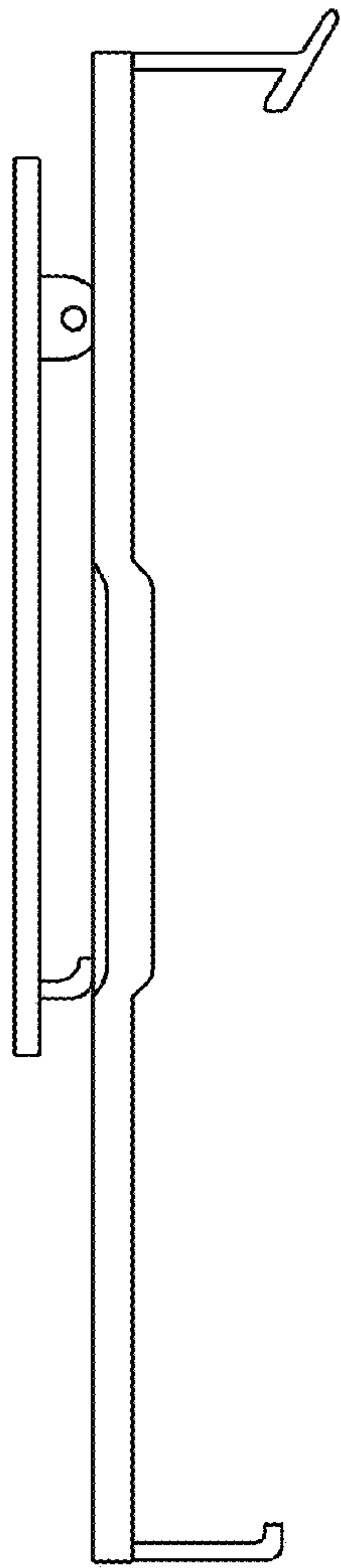


Fig. 11

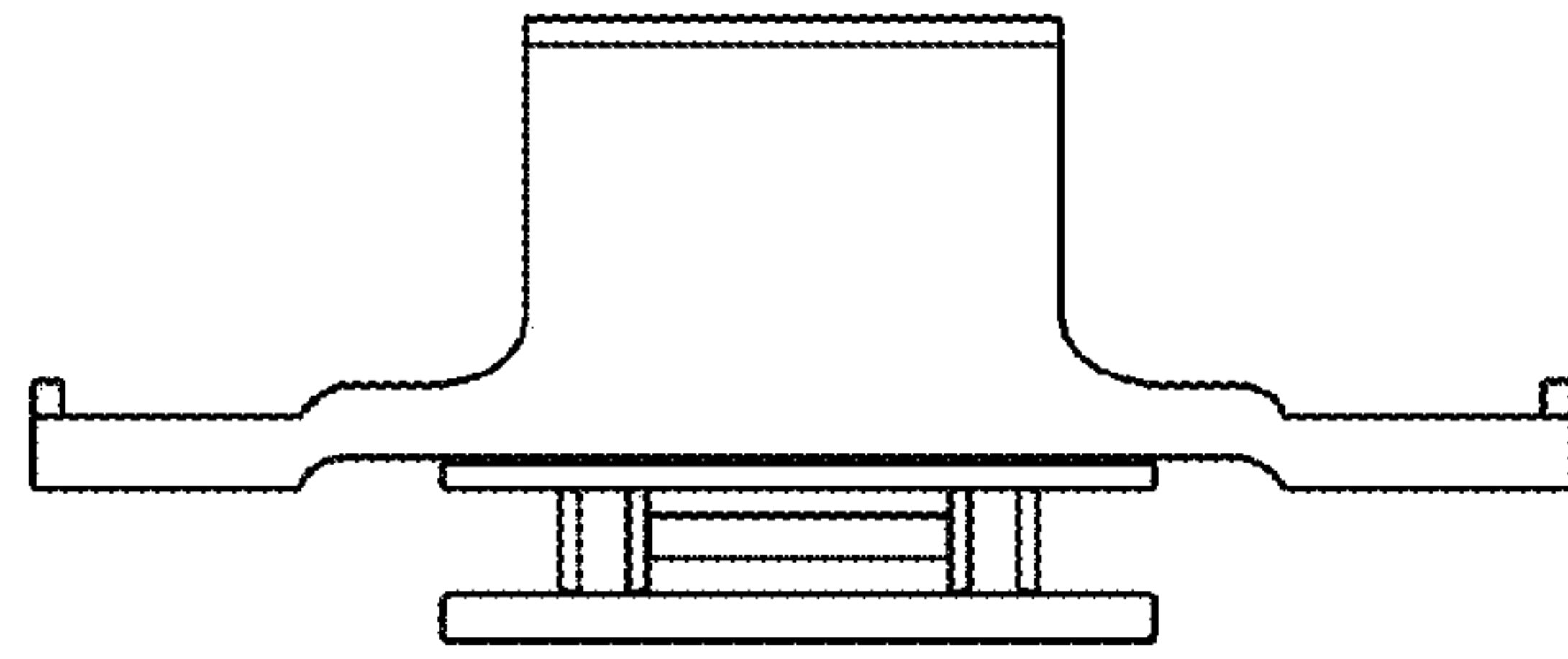


Fig. 12

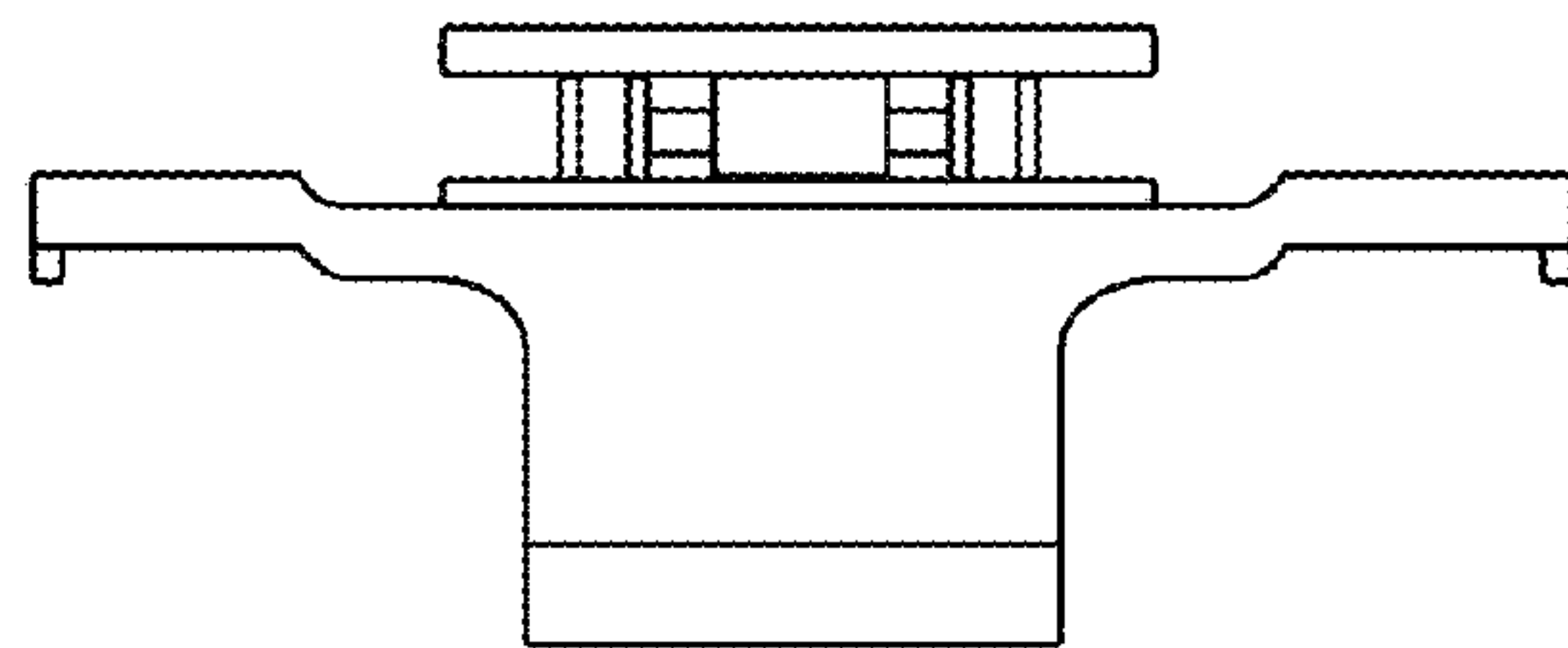


Fig. 13

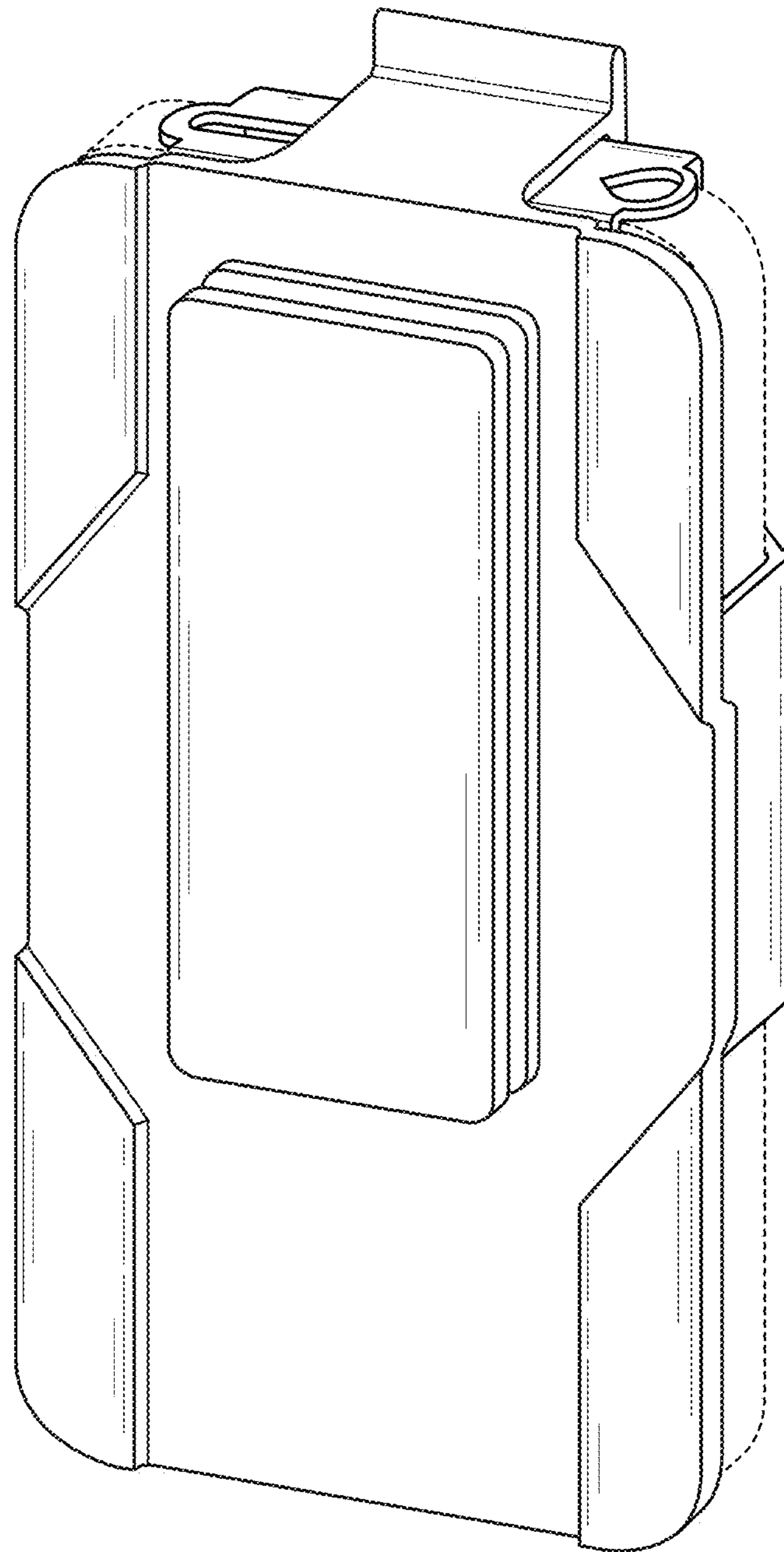


Fig. 14