



US00D685988S

(12) **United States Design Patent**
Shepherd et al.

(10) **Patent No.:** **US D685,988 S**
(45) **Date of Patent:** **** Jul. 16, 2013**

(54) **MODULAR PACKING SET**

(75) Inventors: **Scott M. Shepherd**, Jackson, WY (US);
Jeffrey Goltz, Pinedale, WY (US)

(73) Assignee: **Vestpac, Inc.**, Jackson, WY (US)

(**) Term: **14 Years**

(21) Appl. No.: **29/367,663**

(22) Filed: **Aug. 11, 2010**

Related U.S. Application Data

(63) Continuation-in-part of application No. 12/854,031,
filed on Aug. 10, 2010.

(51) **LOC (9) Cl.** **03-01**

(52) **U.S. Cl.**
USPC **D3/216; D3/217**

(58) **Field of Classification Search**
USPC **D3/214, 215, 216, 217, 270; D2/830;**
224/153, 576, 577, 578
See application file for complete search history.

(56) **References Cited**

U.S. PATENT DOCUMENTS

417,301 A 12/1889 Weldon
2,375,655 A * 5/1945 Irvin 224/576

(Continued)

OTHER PUBLICATIONS

U.S. Appl. No. 29/389,773, filed Apr. 15, 2011, Shepherd.
U.S. Appl. No. 12/854,031, mailed Aug. 3, 2012, Office Action.
U.S. Appl. No. 29/389,773, mailed Jan. 22, 2013, Restriction.
U.S. Appl. No. 12/854,031, mailed Apr. 9, 2013, Final Office Action.
U.S. Appl. No. 29/389,773, mailed Mar. 1, 2013, Office Action.

Primary Examiner — T. Chase Nelson

(74) *Attorney, Agent, or Firm* — Workman Nydegger

(57) **CLAIM**

The ornamental design for a modular packing set, as shown and described.

DESCRIPTION

FIG. 1 is a plan view of a modular packing set showing our new design;

FIG. 2 is a perspective view of the back portion of the modular packing, as shown in FIG. 1;

FIG. 3 is a left side elevational view of the back portion of the modular packing set, as shown in FIG. 1;

FIG. 4 is a front plan view of the back portion of the modular packing, as shown in FIG. 1;

FIG. 5 is a right side elevational view of the back portion of the modular packing set, as shown in FIG. 1;

FIG. 6 is a top elevational view of the back portion of the modular packing set, as shown in FIG. 1;

FIG. 7 is a bottom elevational view of the back portion of the modular packing set, as shown in FIG. 1;

FIG. 8 is a back plan view of the back portion of the modular packing set, as shown in FIG. 1;

FIG. 9 is a perspective view of the front portion of the modular packing set, as shown in FIG. 1, in a folded position;

FIG. 10 is a perspective view of the front portion of the modular packing set, as shown in FIG. 1, in an unfolded position;

FIG. 11 is a left side elevational view of the front portion of the modular packing set, as shown in FIG. 10;

FIG. 12 is a front plan view of the front portion of the modular packing set, as shown in FIG. 10;

FIG. 13 is a right side elevational view of the front portion of the modular packing set as shown in FIG. 10;

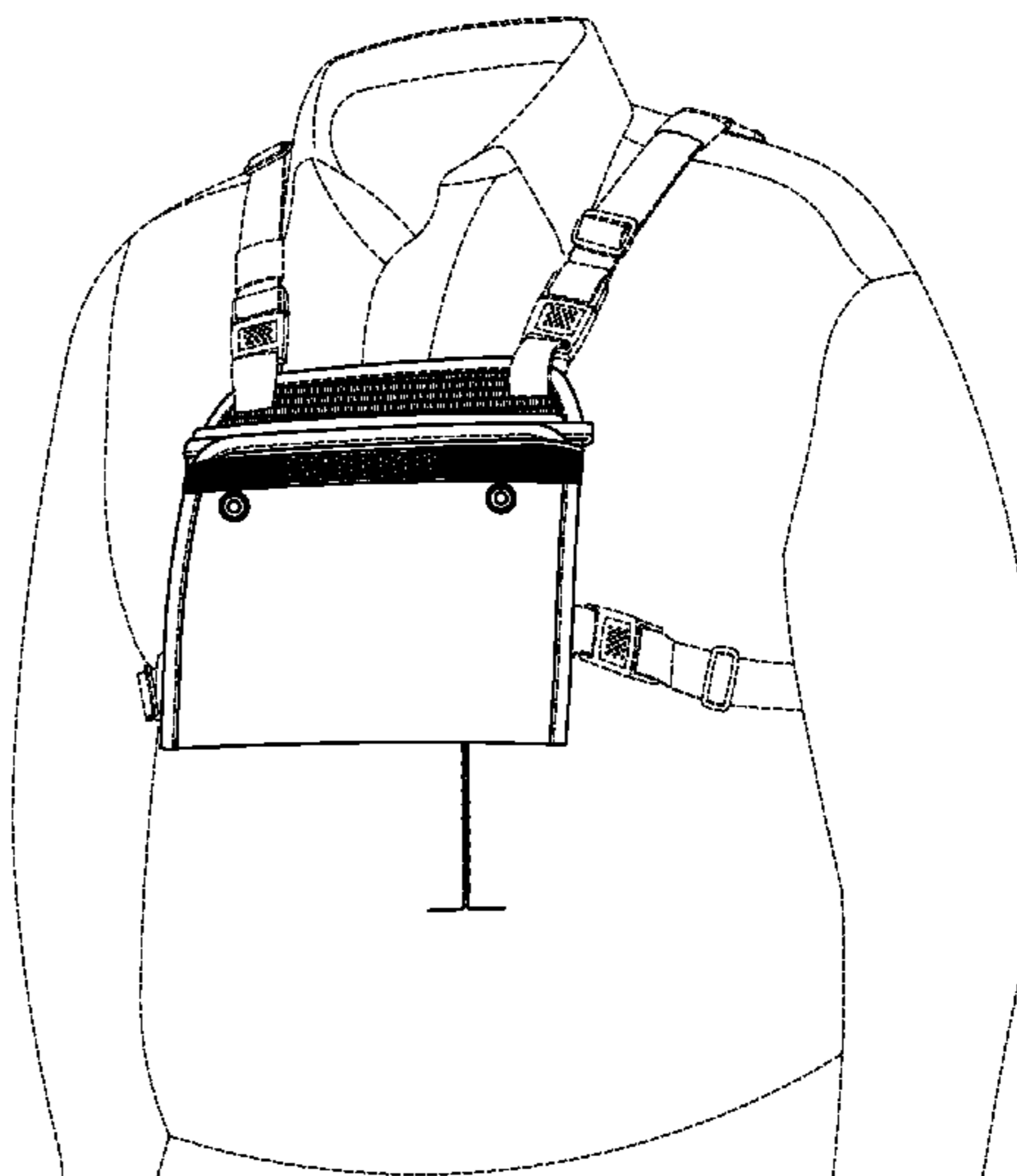
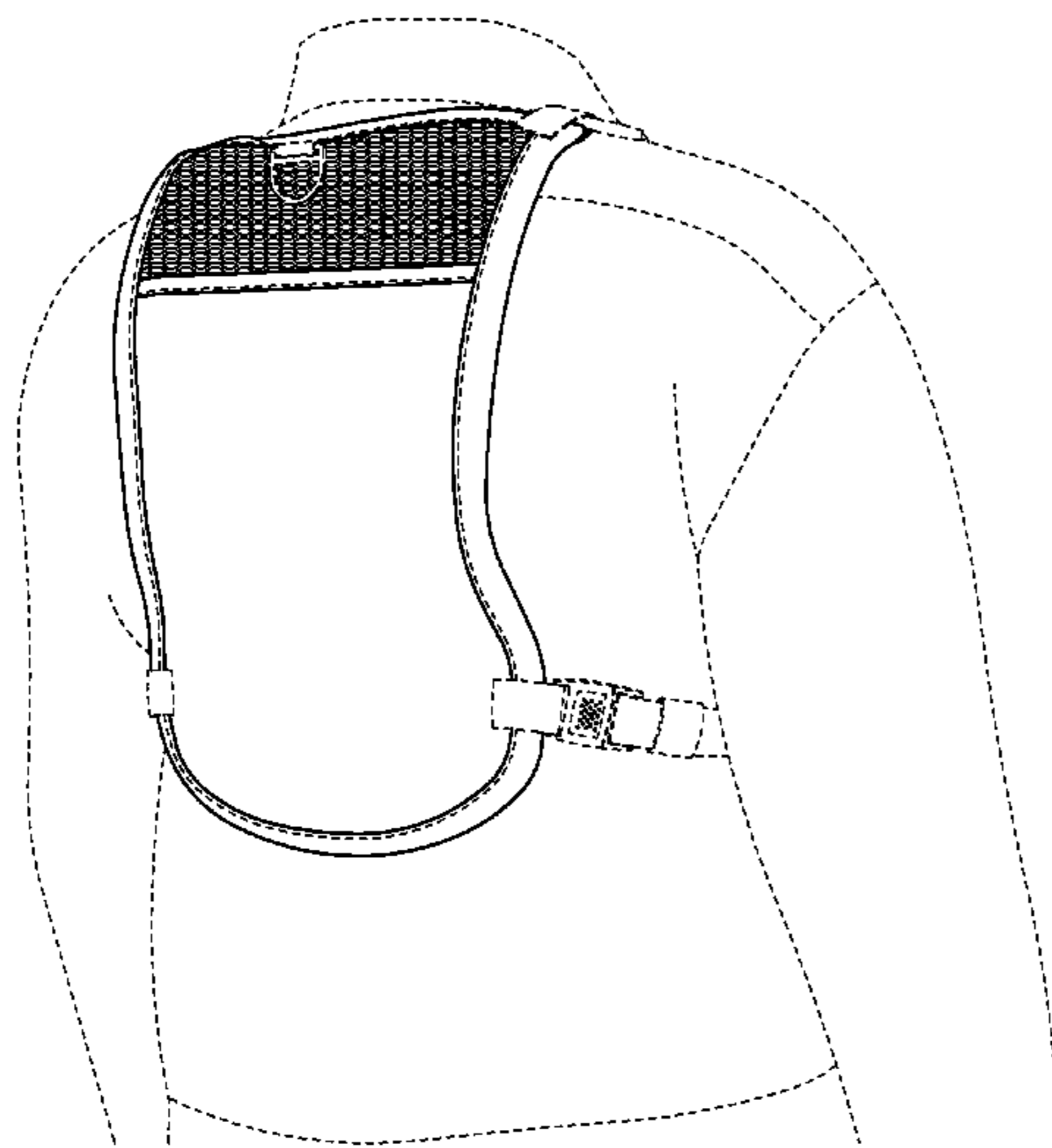
FIG. 14 is a top elevational view of the front portion of the modular packing set, as shown in FIG. 10;

FIG. 15 is a bottom elevational view of the front portion of the modular packing set, as shown in FIG. 10; and,

FIG. 16 is a back plan view of the front portion of the modular packing set, as shown in FIG. 10.

The broken lines shown in the figures are for illustrative purposes only and form no part of the claimed design.

1 Claim, 8 Drawing Sheets



US D685,988 S

Page 2

U.S. PATENT DOCUMENTS

2,676,738	A	4/1954	Herrick				
2,817,472	A	12/1957	Parkhurst				
2,999,621	A	9/1961	Kiser				
D281,833	S *	12/1985	Carney	D3/214		
D283,546	S *	4/1986	Nathan	D3/203.7		
4,706,856	A	11/1987	Jacobson				
4,764,962	A	8/1988	Ekman				
4,892,241	A	1/1990	Mavrakis				
5,377,887	A *	1/1995	Garcia	224/153		
D366,734	S *	1/1996	Arthur	D29/124		
5,687,896	A	11/1997	Clift				
5,850,634	A *	12/1998	Toombs	2/93		
5,927,575	A	7/1999	Gatling				
5,950,896	A	9/1999	Theodore				
5,961,014	A	10/1999	Knerr				
6,179,185	B1 *	1/2001	Dancyger	224/576		
D450,448	S *	11/2001	Pierce et al.	D3/217		
6,345,751	B1	2/2002	Elliot				
D461,048	S	8/2002	Blanking				
D483,561	S *	12/2003	Charpentier	D3/221		
D486,635	S *	2/2004	Yagisawa	D3/213		
6,786,375	B2 *	9/2004	Worden et al.	224/627		
D496,774	S *	10/2004	Fields-Hale	D2/830		
D498,585	S *	11/2004	Darling	D3/216		
D501,990	S *	2/2005	Carr	D3/215		
D507,871	S *	8/2005	DiMarchi et al.	D3/215		
D516,803	S *	3/2006	Simon, Jr.	D3/215		
D536,860	S *	2/2007	Hoey	D2/830		
D572,465	S *	7/2008	Beck	D3/215		
D613,497	S *	4/2010	Pho	D3/216		
D614,862	S *	5/2010	Votel	D3/216		
D622,500	S *	8/2010	Pho	D3/216		
7,996,921	B1	8/2011	Snyder				
D647,693	S *	11/2011	Olegard et al.	D3/214		
D649,345	S *	11/2011	Bergkvist et al.	D3/214		
8,047,413	B2	11/2011	Arajakis				
D655,495	S *	3/2012	Sauer et al.	D3/214		
D664,351	S *	7/2012	Bergkvist et al.	D3/214		
D672,547	S	12/2012	Bettauer				
2004/0069827	A1	4/2004	Stewart				
2004/0170335	A1	9/2004	Hancock				
2006/0011690	A1 *	1/2006	Bareno	224/638		
2008/0283350	A1 *	11/2008	Vorderkunz	190/115		
2009/0180715	A1 *	7/2009	Wittke-Kothe	383/4		
2012/0024924	A1	2/2012	Hexels				
2012/0037675	A1	2/2012	Shepherd				
2012/0047618	A1 *	3/2012	Phillips	2/49.2		
2012/0241487	A1 *	9/2012	Zack et al.	224/576		
2013/0036535	A1 *	2/2013	Bergkvist	2/455		
2013/0043291	A1 *	2/2013	Davis, Jr.	224/578		

* cited by examiner

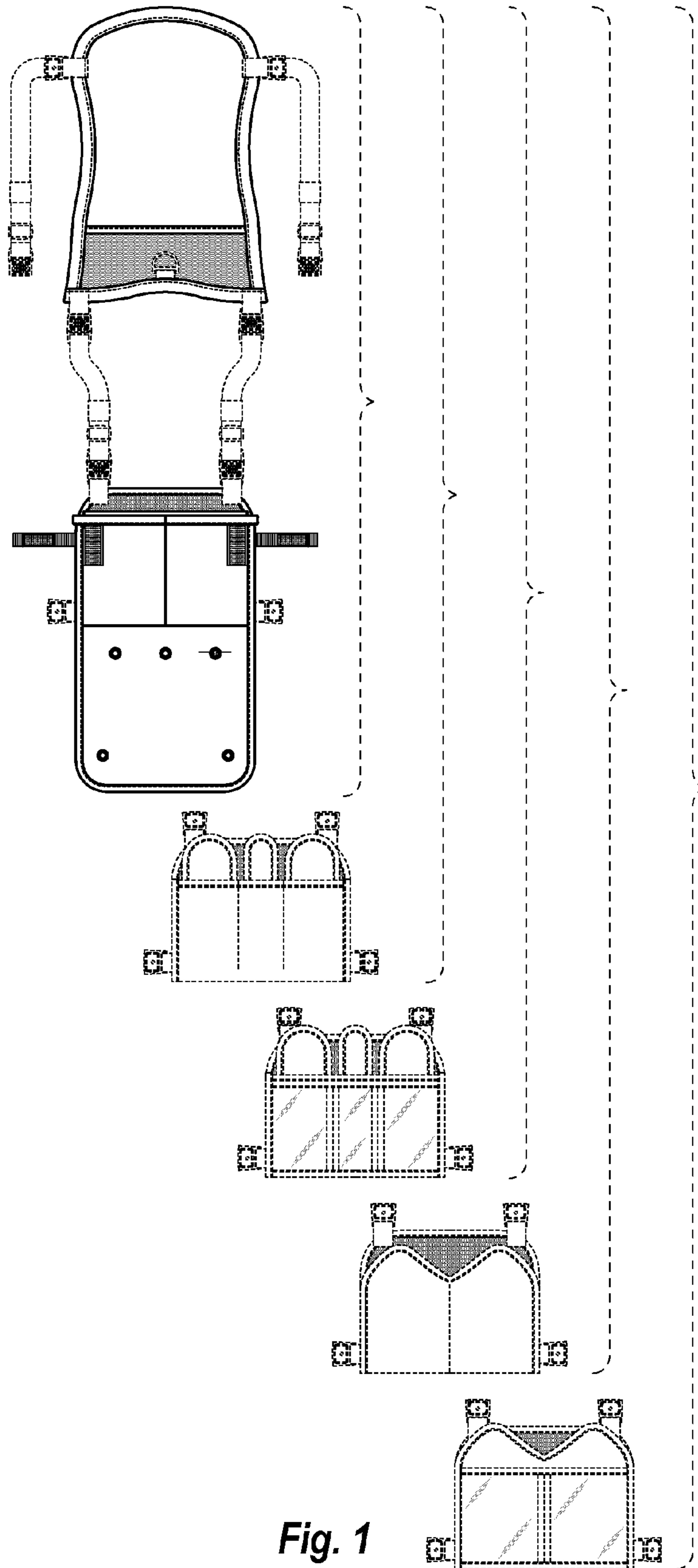


Fig. 1

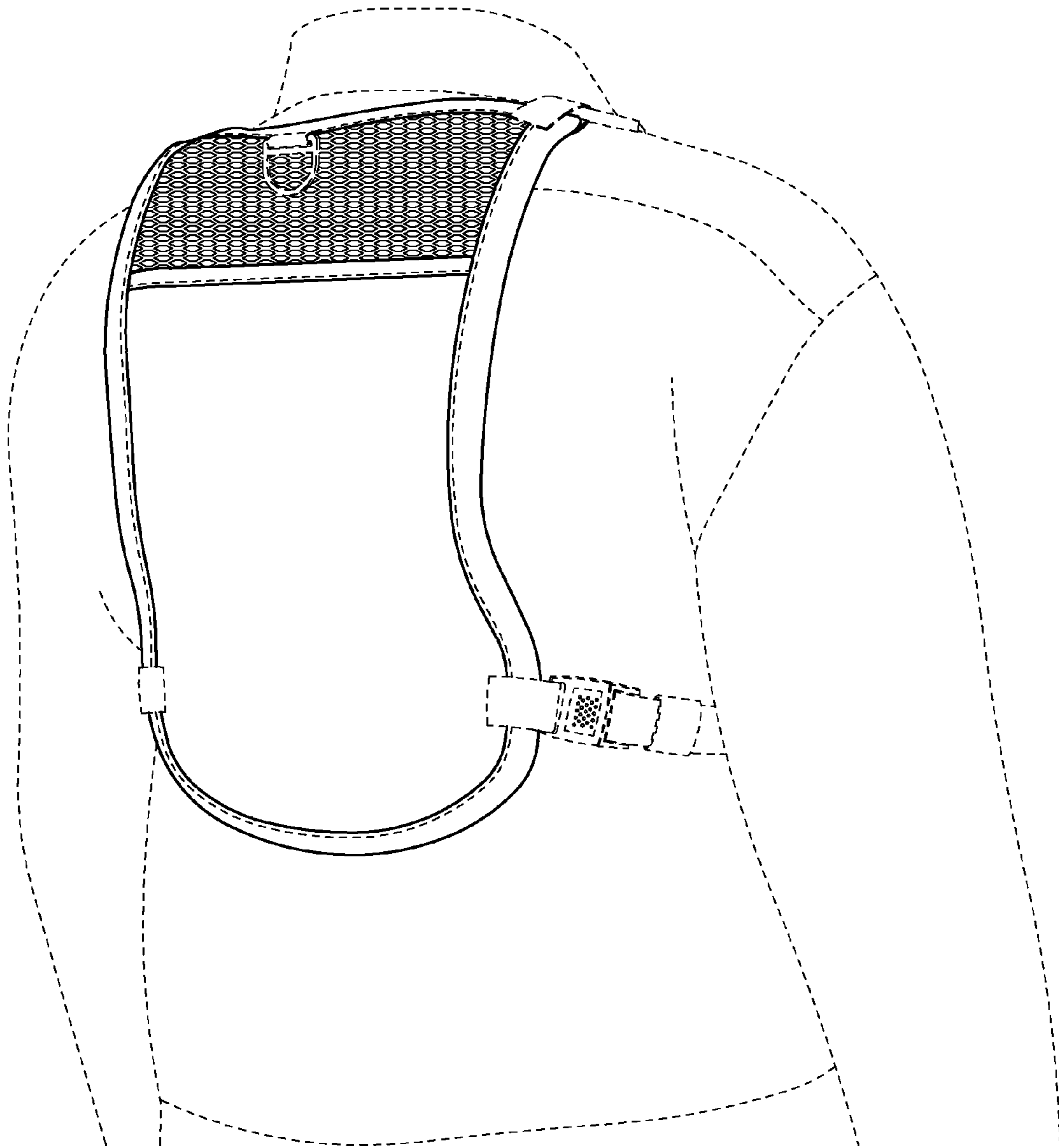


Fig. 2



Fig. 6



Fig. 3

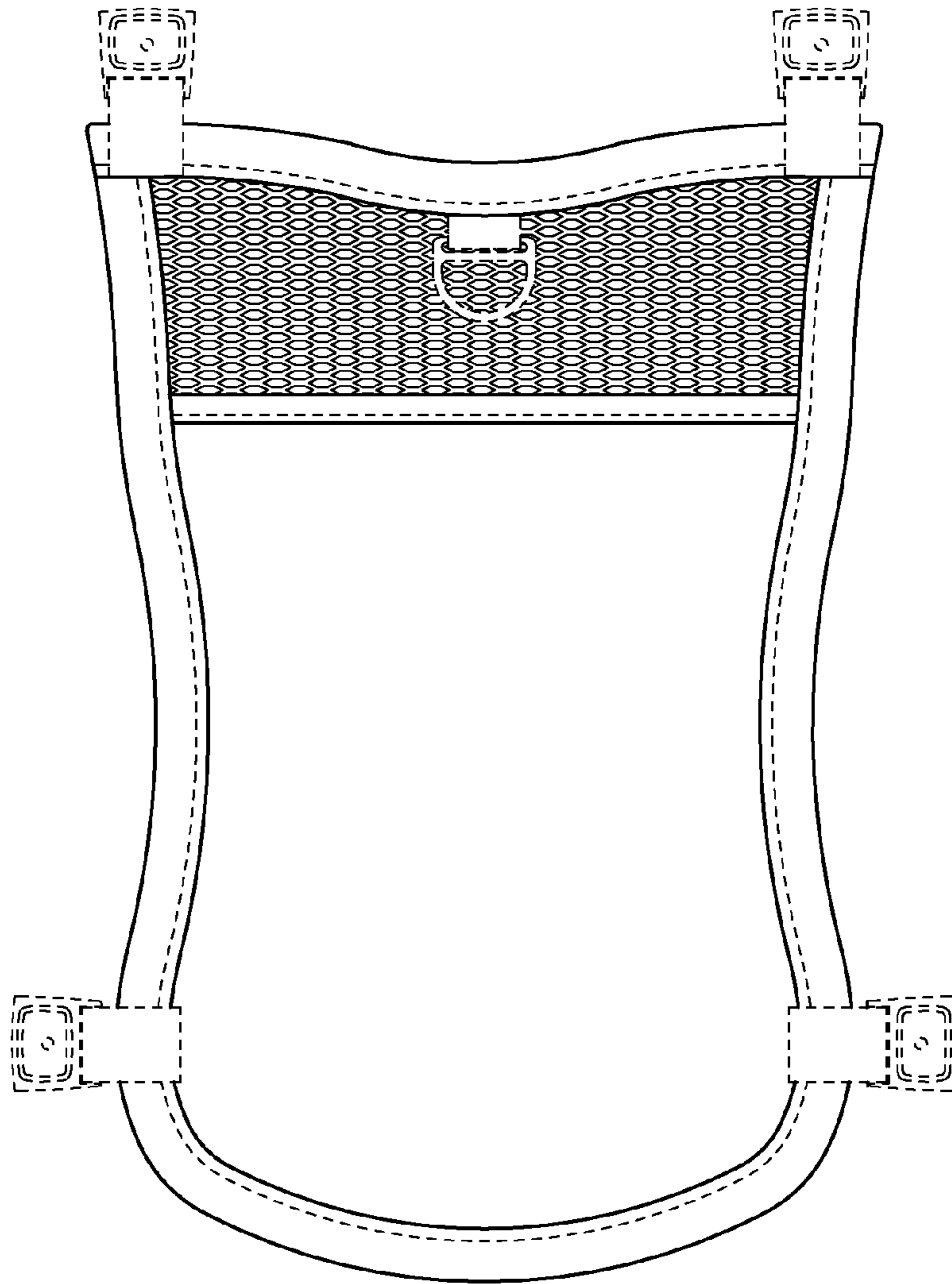


Fig. 4



Fig. 5



Fig. 7

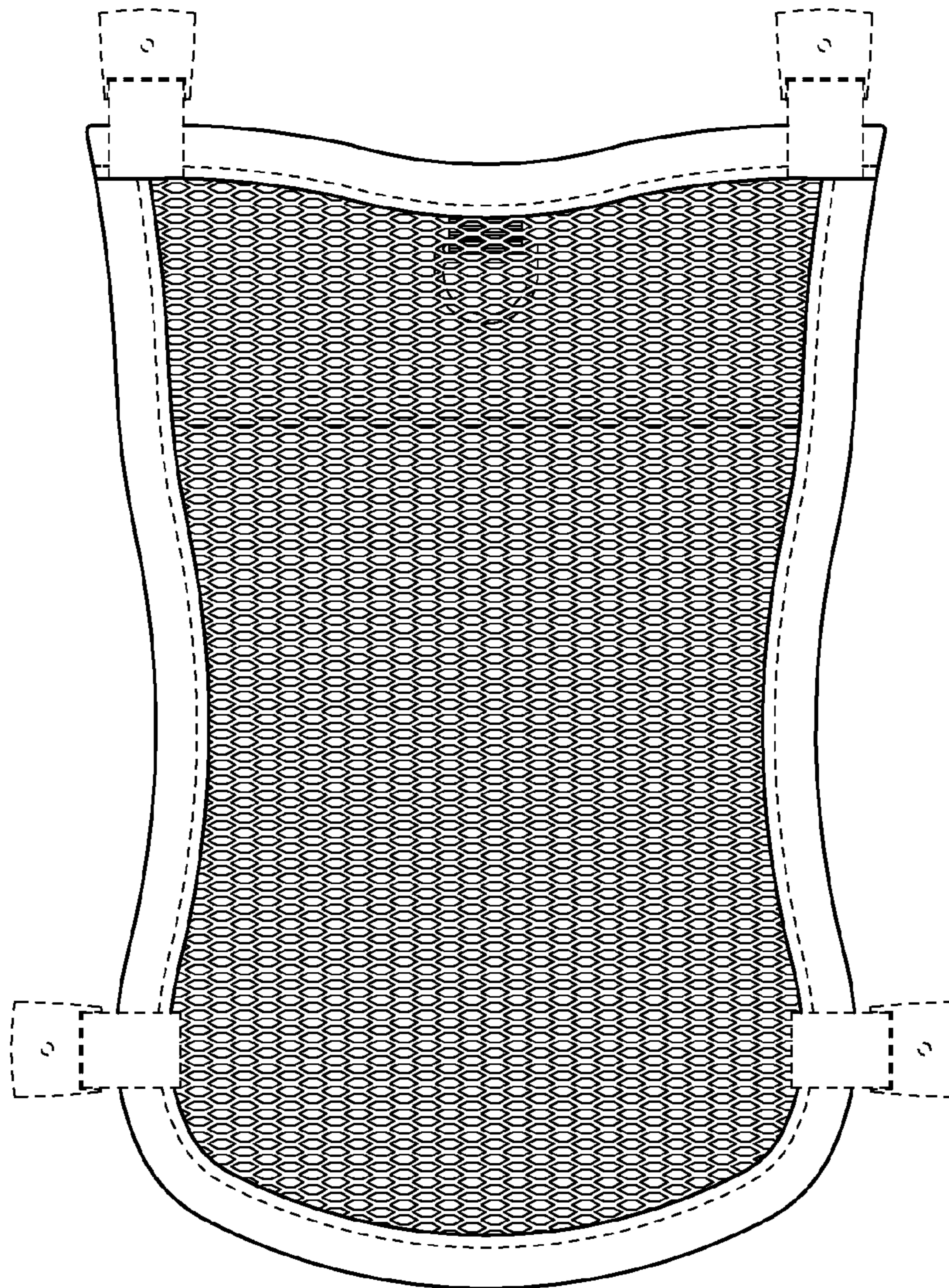


Fig. 8

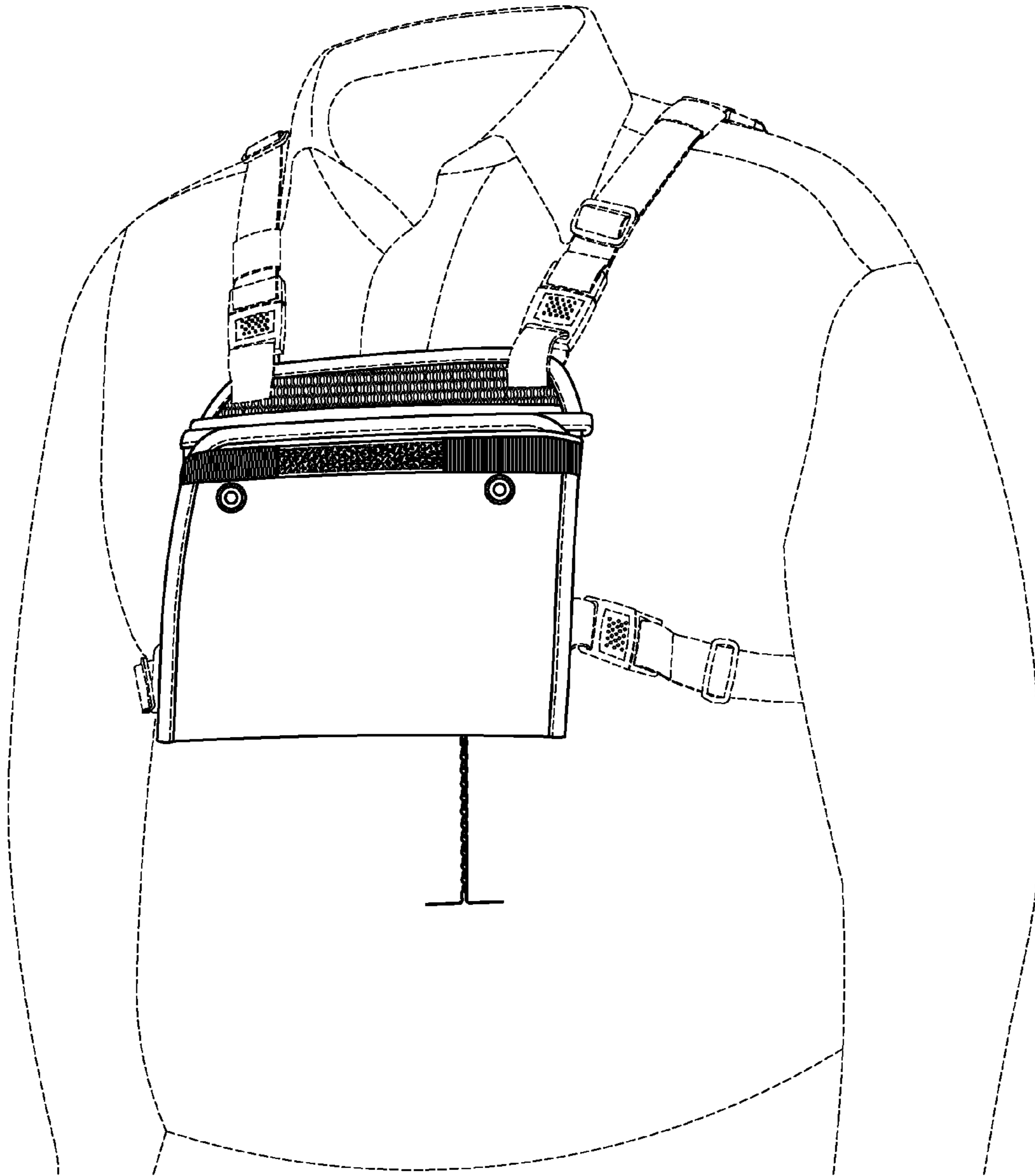


Fig. 9

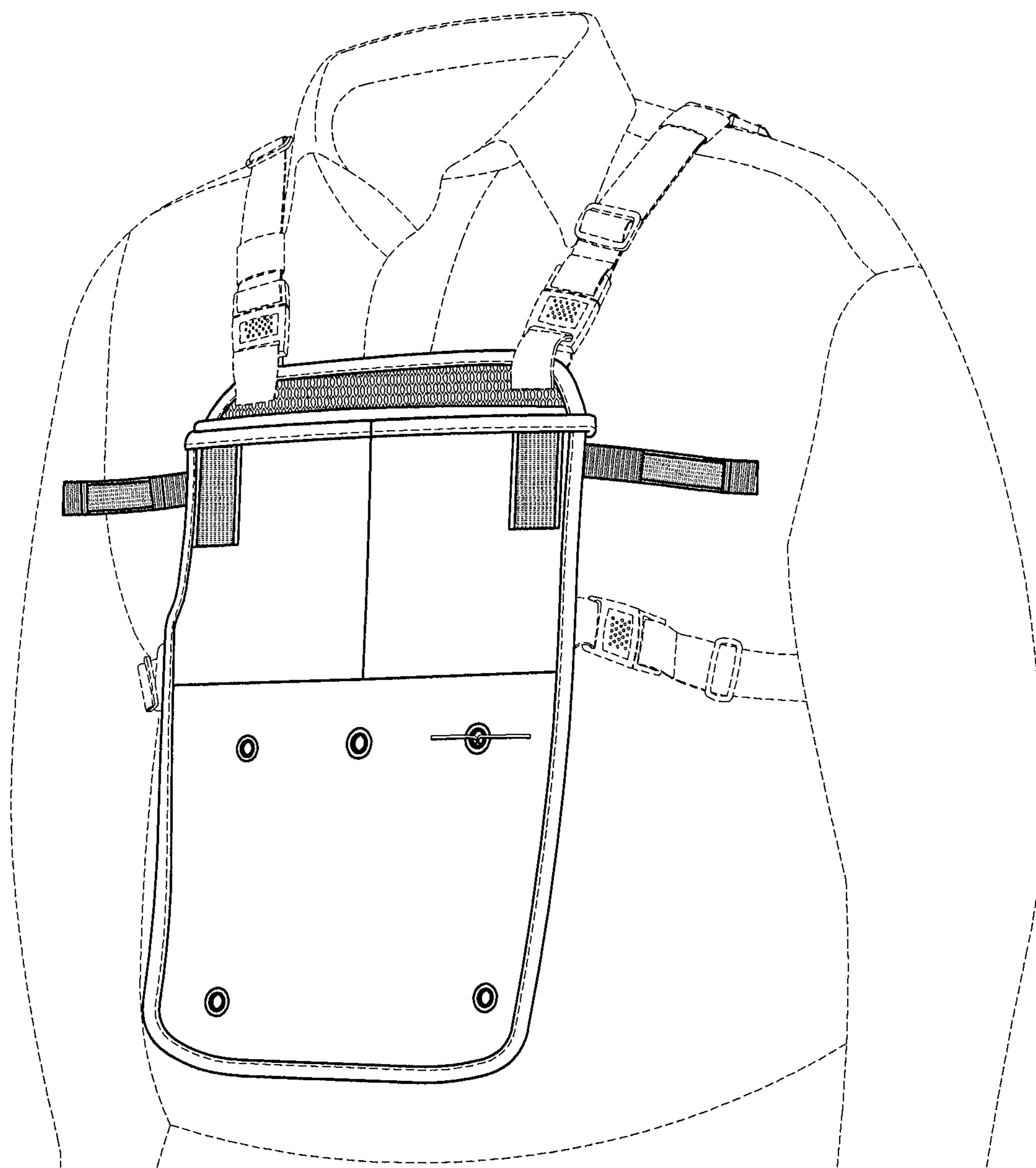


Fig. 10



Fig. 14

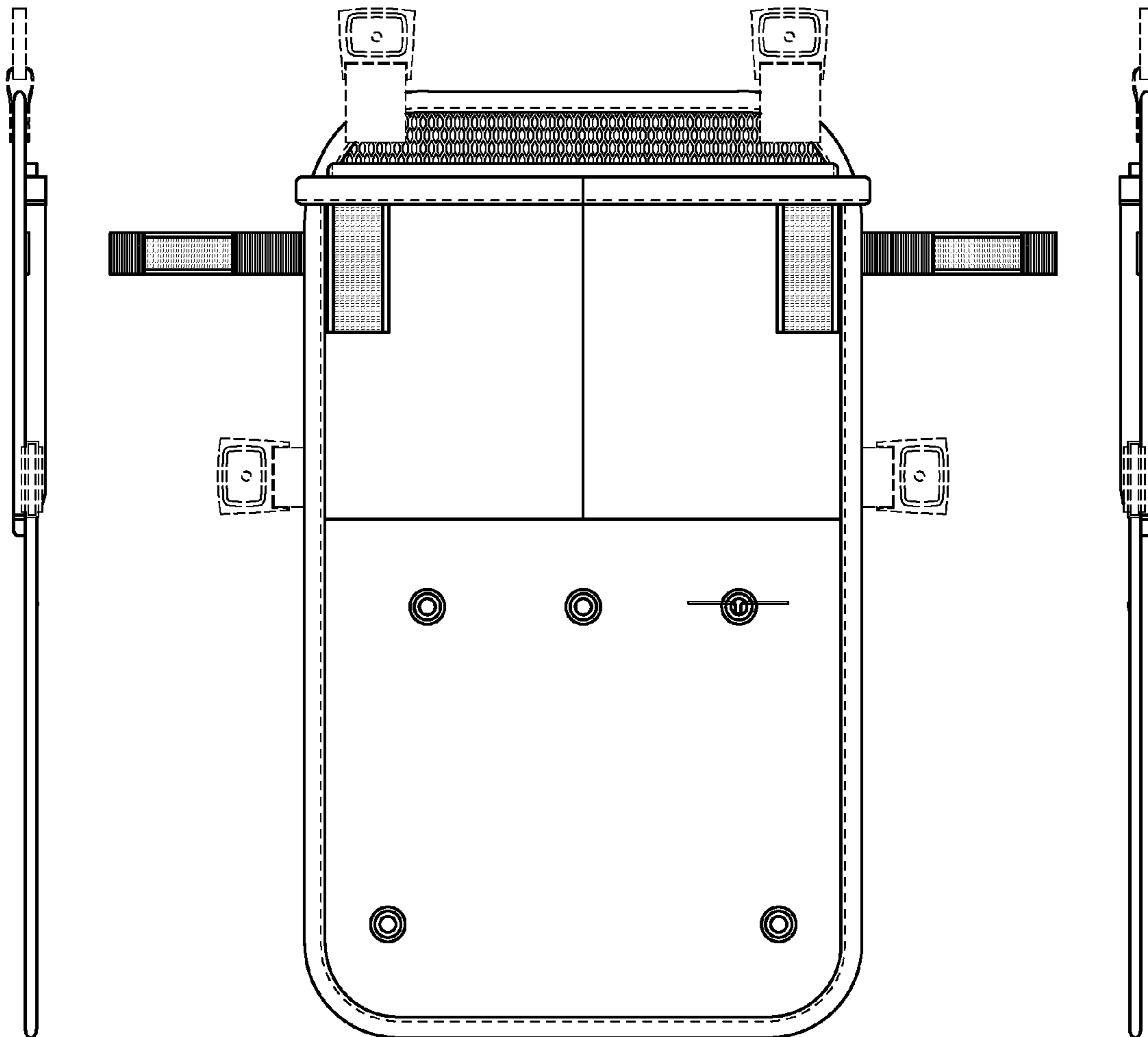


Fig. 11

Fig. 12

Fig. 13

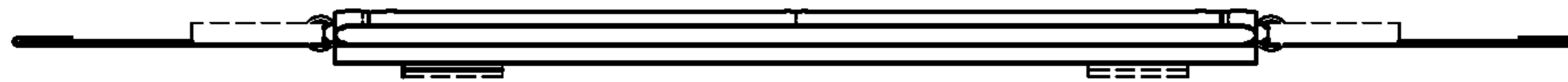


Fig. 15

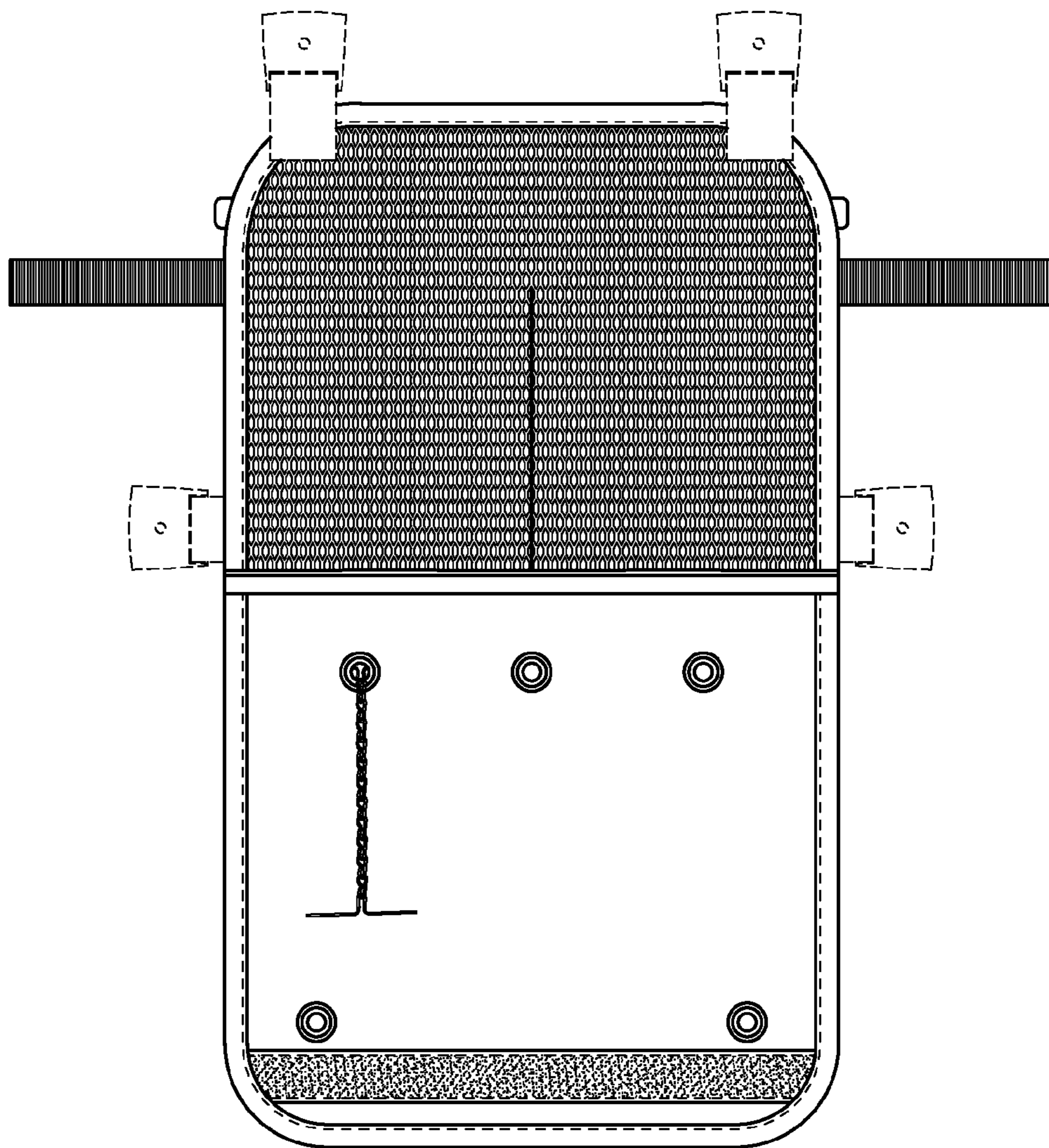


Fig. 16