



US00D685987S

(12) **United States Design Patent**
Lazott et al.

(10) **Patent No.:** **US D685,987 S**
(45) **Date of Patent:** **** Jul. 16, 2013**

(54) **BADGE HOLDER**

(75) Inventors: **Robert Lazott**, Billerica, MA (US);
Scott Michael Collins, Chicago, IL (US);
Luc Chuong Lam, Chicago, IL (US)
(73) Assignee: **Brady Worldwide, Inc.**, Milwaukee, WI (US)
(**) Term: **14 Years**

(21) Appl. No.: **29/414,154**

(22) Filed: **Feb. 24, 2012**

(51) **LOC (9) Cl.** **03-01**

(52) **U.S. Cl.**
USPC **D3/215**

(58) **Field of Classification Search**
USPC D3/215, 247–248; 206/38–39, 39.4,
206/449, 556; 40/1.5, 1.6, 649, 661.04;
224/162, 197, 269, 666–669, 930; 242/378.1,
242/378.2, 379, 379.1; 24/3.11, 3.12, 3.13;
150/147
See application file for complete search history.

(56) **References Cited**

U.S. PATENT DOCUMENTS

4,518,080	A *	5/1985	Ohlson	206/39
4,918,847	A *	4/1990	Lee	40/1.6
5,125,505	A *	6/1992	Kurosaki	206/39.4
5,217,056	A	6/1993	Ritter	
5,337,813	A	8/1994	Ritter	
5,592,767	A *	1/1997	Treske	40/649
6,752,305	B2	6/2004	Shattuck	
7,228,651	B1 *	6/2007	Saari	40/1.5
7,308,771	B2 *	12/2007	Memelink	40/649
2011/0056100	A1	3/2011	Peterson et al.	

OTHER PUBLICATIONS

The Laminex Family of Companies; Clear Plastic Ejector Badge Holder, Vertical (pack of 100); <http://buy.idshop.com/clearplasticjectorbadgeholdervertical.aspx>.

* cited by examiner

Primary Examiner — Catheri Oliver-Garcia

(74) *Attorney, Agent, or Firm* — Quarles & Brady LLP

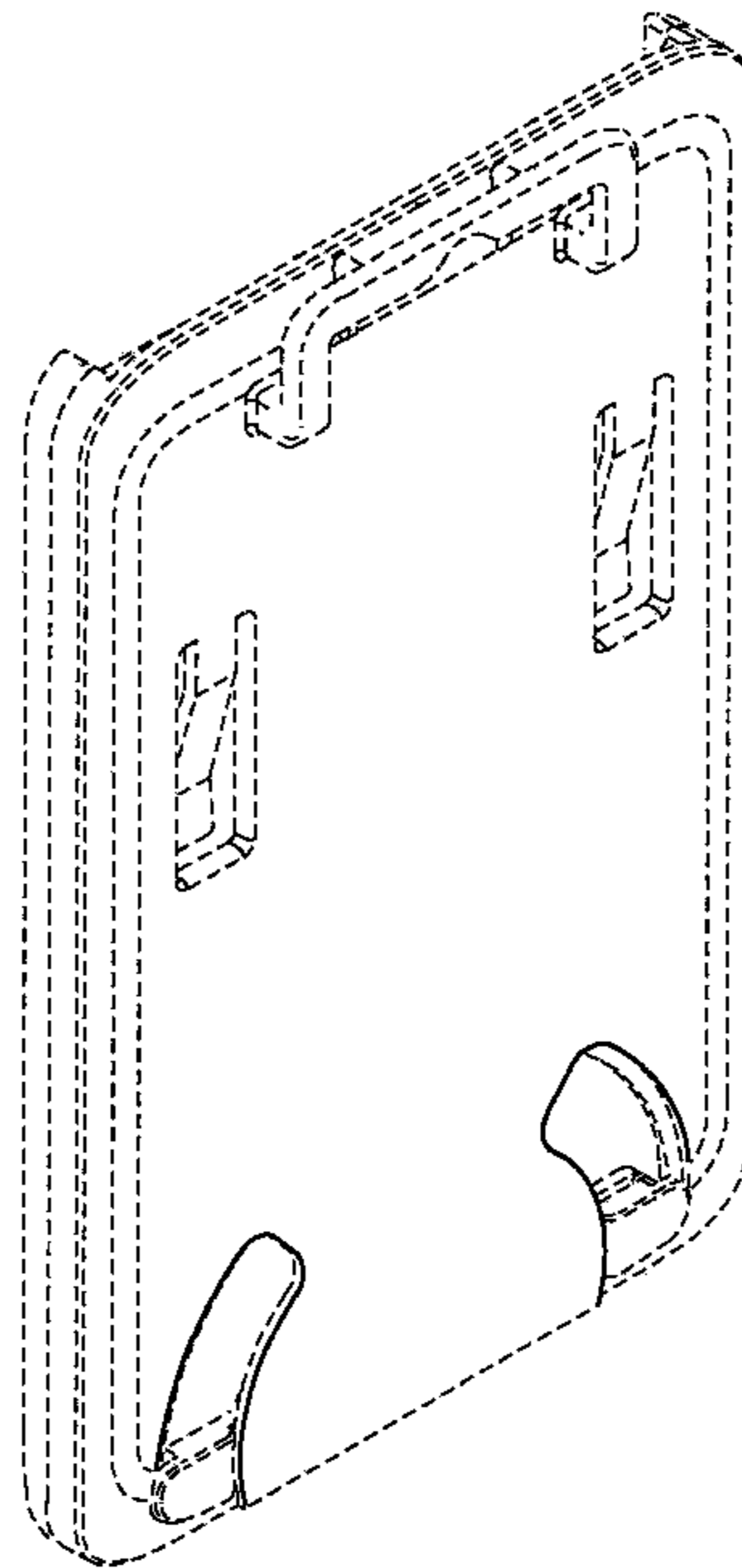
(57) **CLAIM**

The ornamental design for a badge holder, as shown and described.

DESCRIPTION

FIG. 1 is a top, right and rear perspective view of the first embodiment of a badge holder embodying our new design; FIG. 2 is a rear elevational view thereof; FIG. 3 is a left elevational view thereof, the right elevational view being a mirror image thereof; FIG. 4 is a front elevational view thereof; FIG. 5 is a top plan view thereof; FIG. 6 is a bottom plan view thereof; FIG. 7 is a top, right and rear perspective view of the second embodiment of a badge holder embodying our new design; FIG. 8 is a rear elevational view thereof; FIG. 9 is a left elevational view thereof, the right elevational view being a mirror image thereof; FIG. 10 is a front elevational view thereof; FIG. 11 is a top plan view thereof; and, FIG. 12 is a bottom plan view thereof. The broken line representations in the views are for illustrative purposes only and form no part of the claimed design.

1 Claim, 6 Drawing Sheets



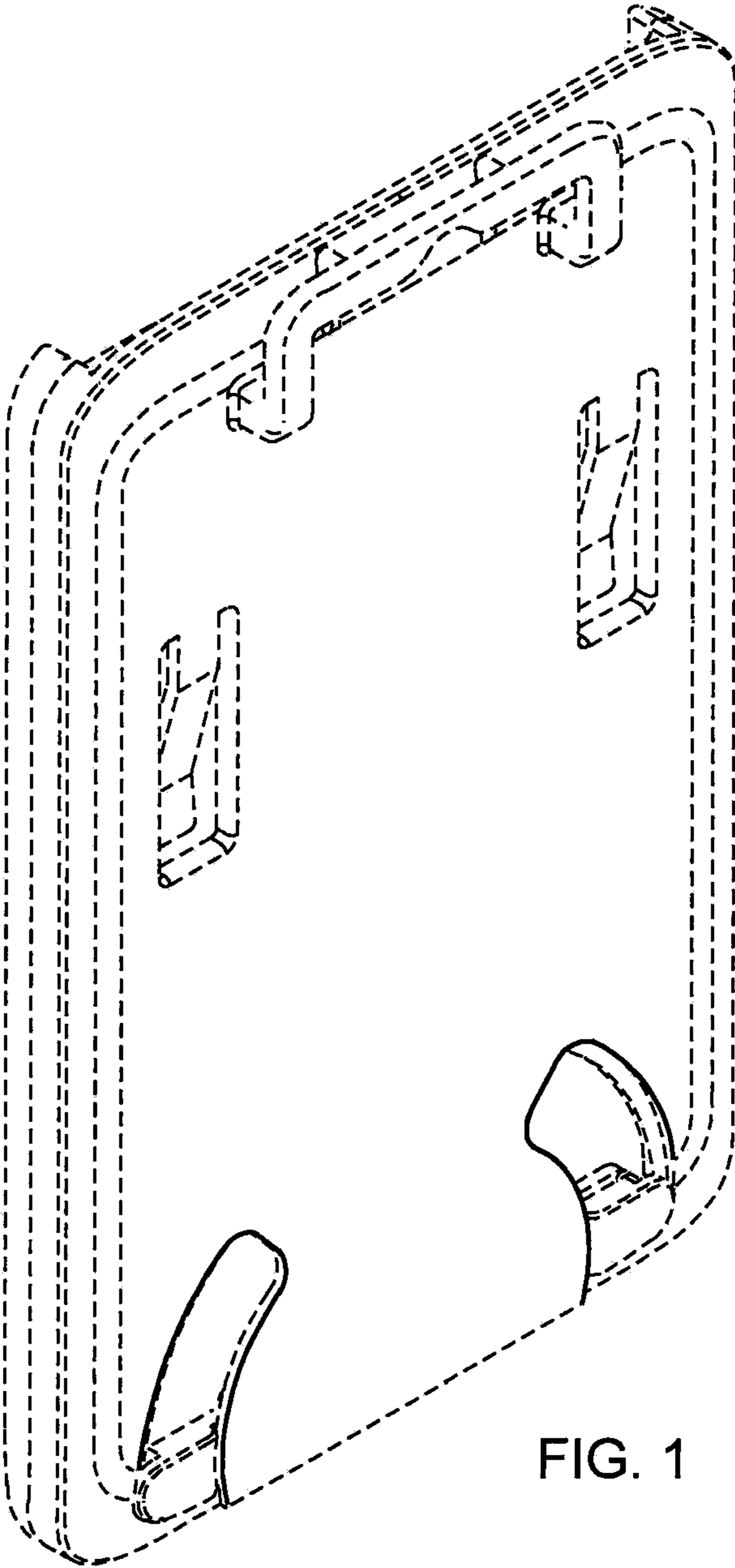


FIG. 1

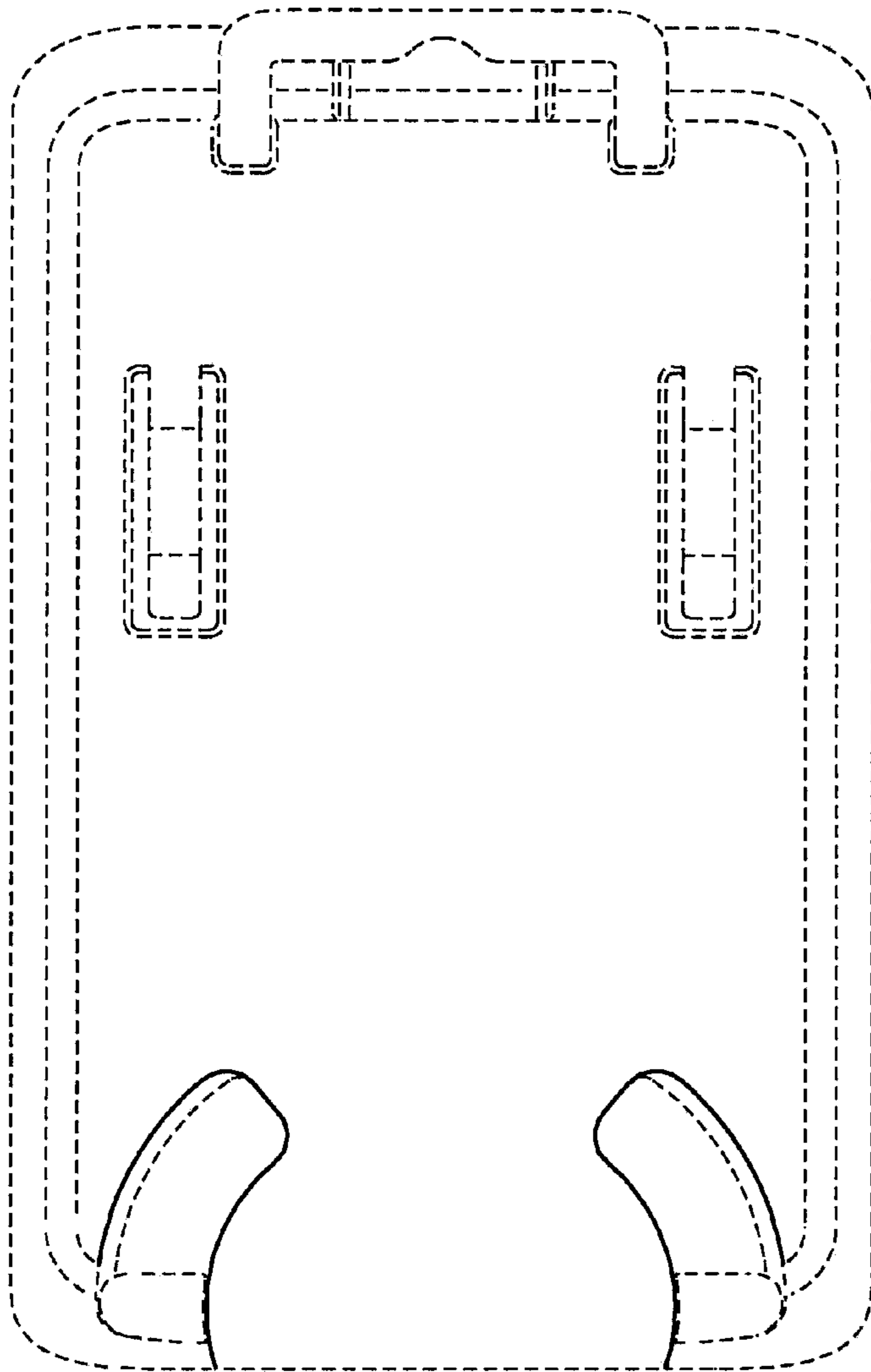


FIG. 2



FIG. 3

FIG. 4

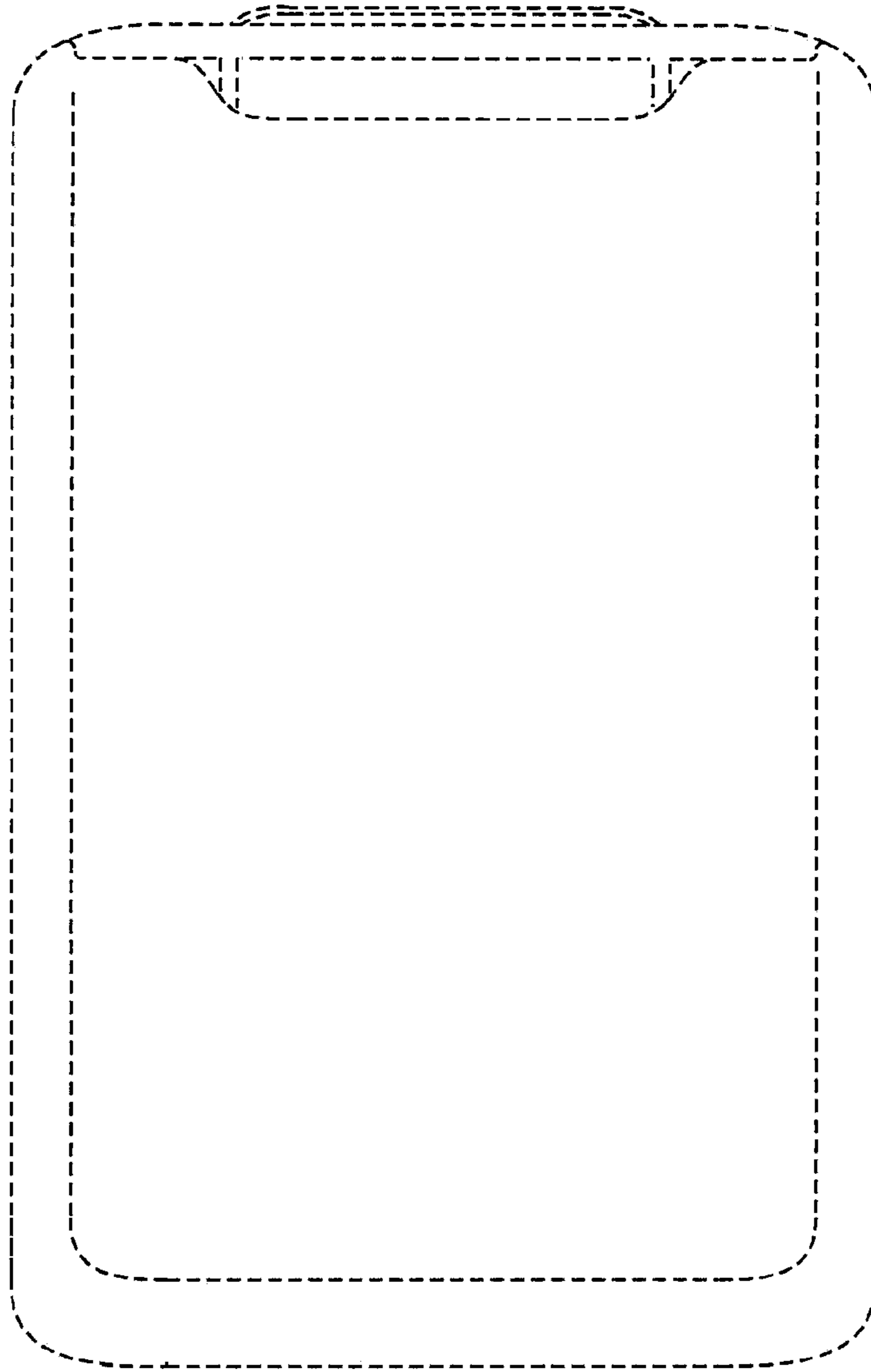


FIG. 5

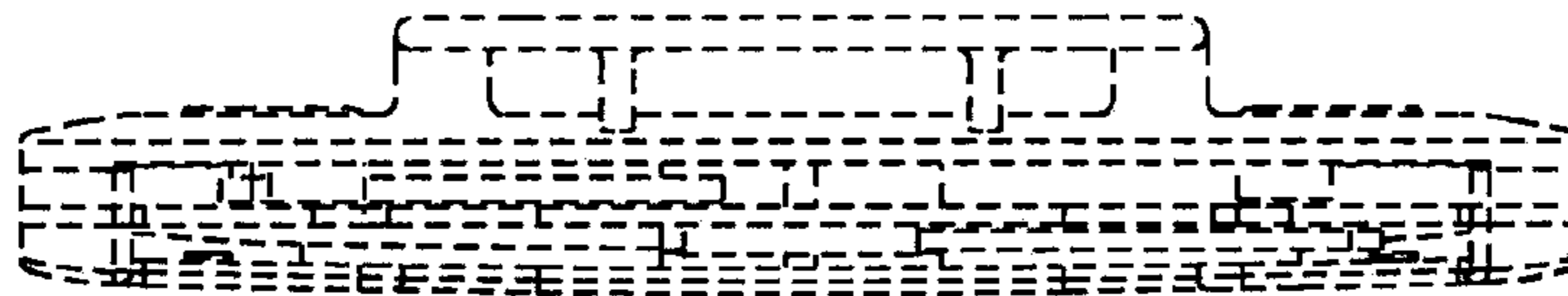


FIG. 6



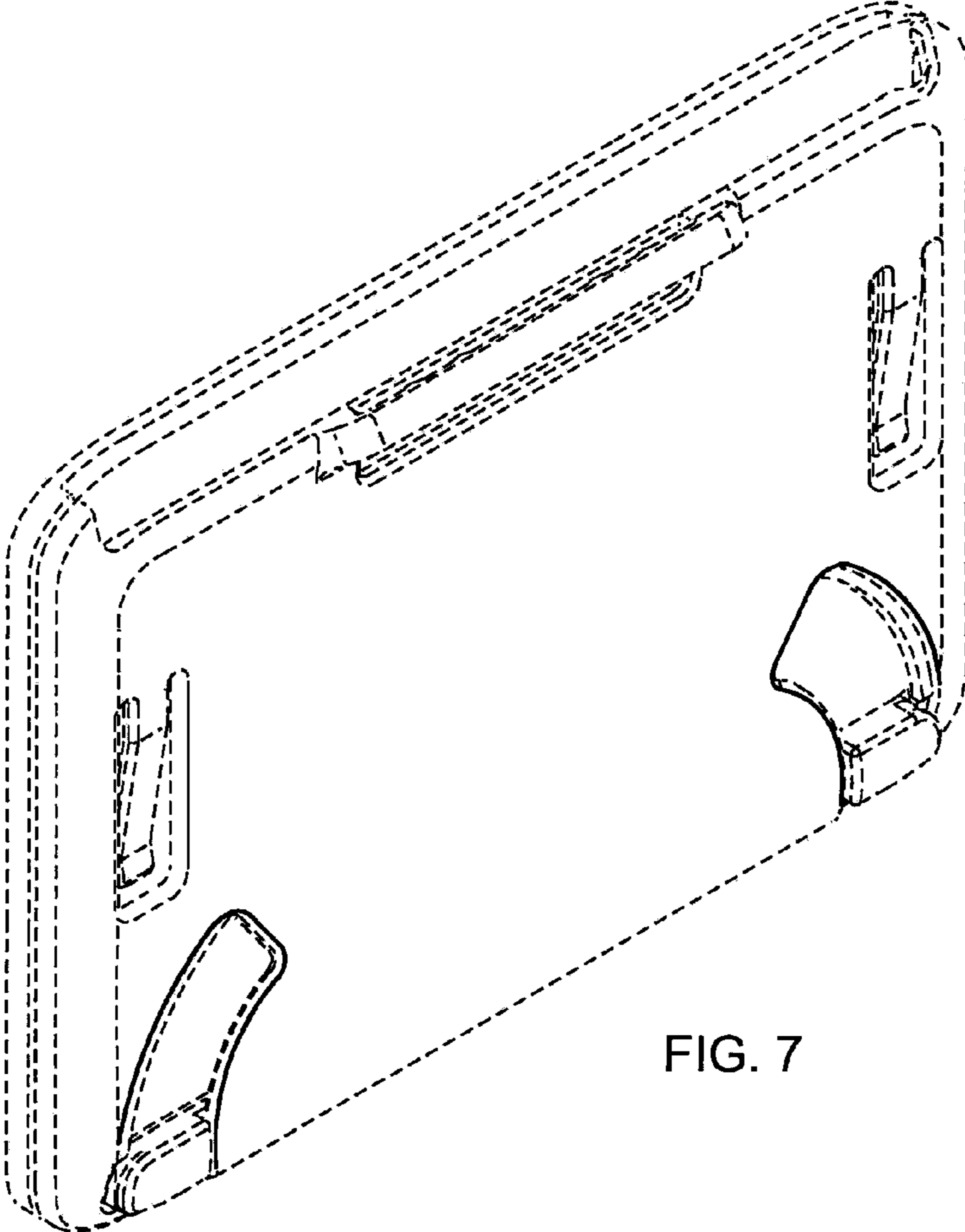


FIG. 7

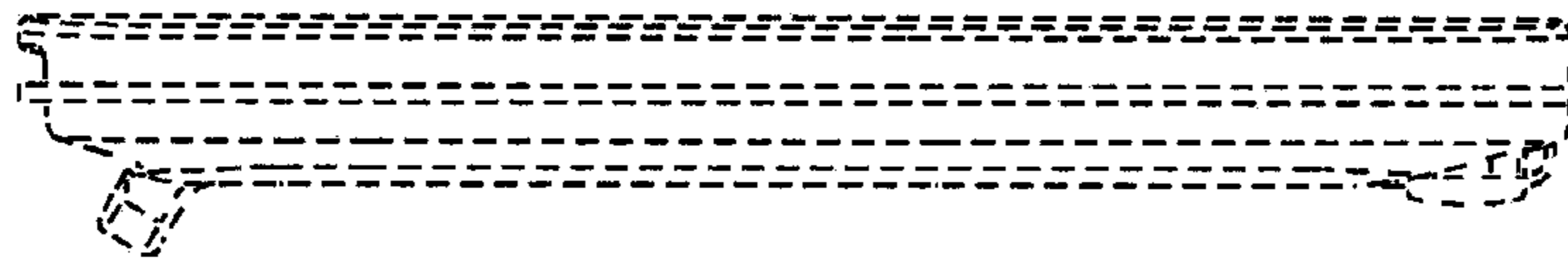


FIG. 8

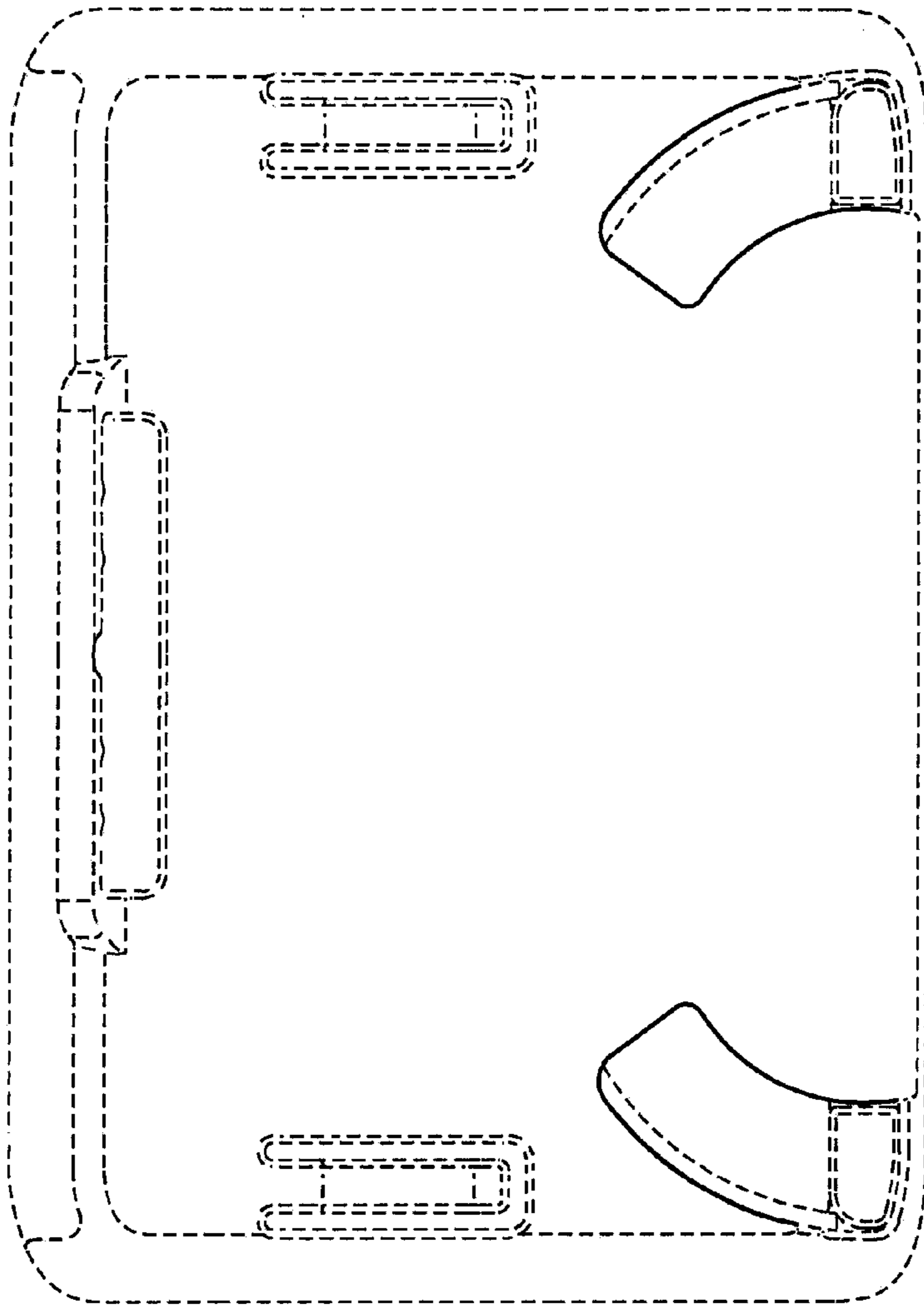


FIG. 9

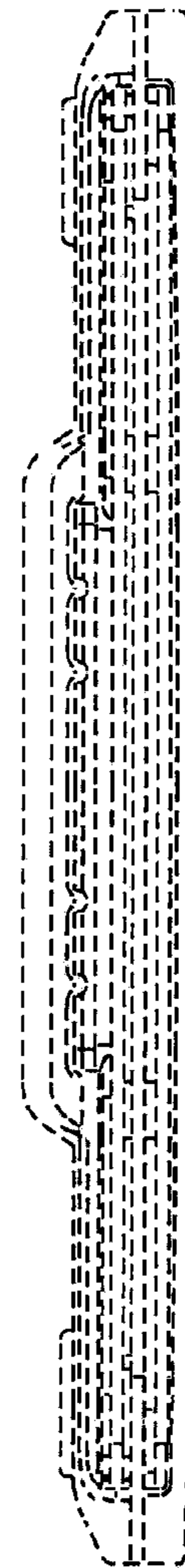


FIG. 11

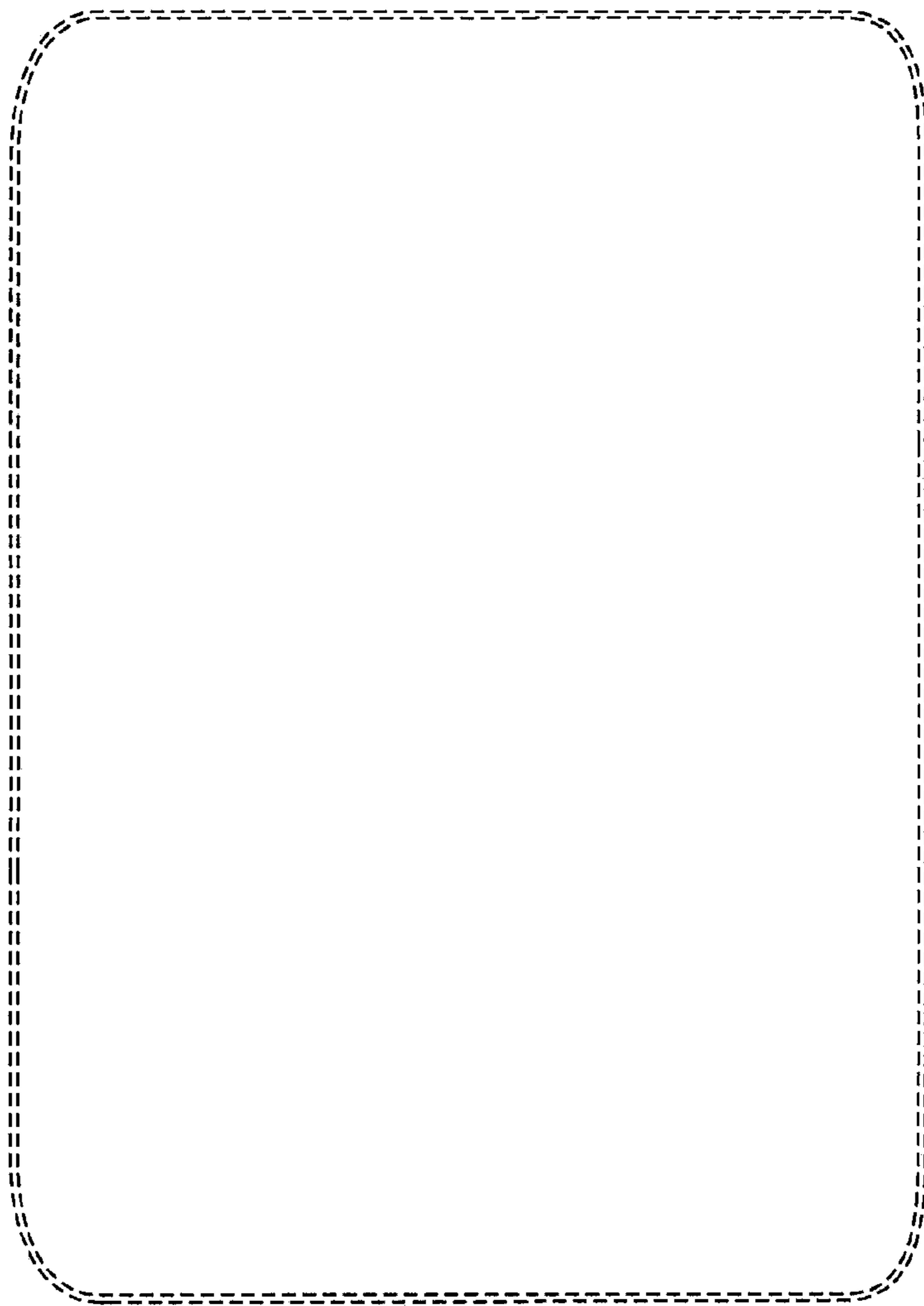


FIG. 10

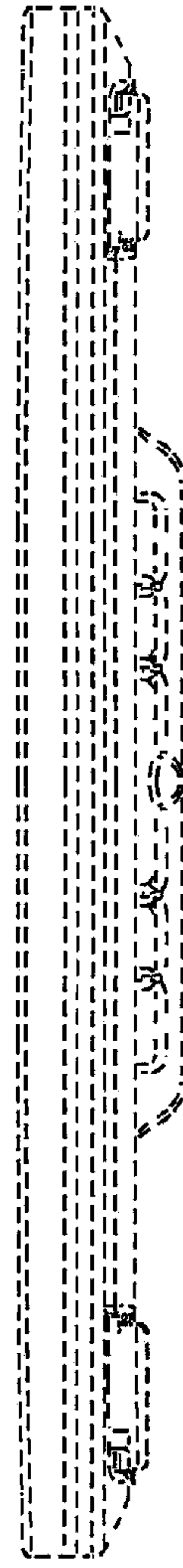


FIG. 12