



US00D685986S

(12) **United States Design Patent**
Lazott et al.

(10) **Patent No.:** **US D685,986 S**
(45) **Date of Patent:** **** Jul. 16, 2013**

(54) **BADGE REEL**

(75) Inventors: **Robert Lazott**, Billerica, MA (US);
Scott Michael Collins, Chicago, IL
(US); **Luc Chuong Lam**, Chicago, IL
(US)

(73) Assignee: **Brady Worldwide, Inc.**, Milwaukee, WI
(US)

(**) Term: **14 Years**

(21) Appl. No.: **29/414,150**

(22) Filed: **Feb. 24, 2012**

(51) **LOC (9) Cl.** **03-01**

(52) **U.S. Cl.**
USPC **D3/215**

(58) **Field of Classification Search**
USPC D3/215, 207-212; 40/1.05, 1.6, 661.04,
40/649; 206/38-39, 39.4, 449, 556; 24/3.6,
24/3.11, 3.12, 3.13; D19/43-51
See application file for complete search history.

(56) **References Cited**

U.S. PATENT DOCUMENTS

D485,981 S *	2/2004	Romero	D3/215
6,966,519 B2	11/2005	Salentine et al.		
D514,311 S *	2/2006	Cetera	D3/215
D516,241 S *	2/2006	Gaines et al.	D27/161
D539,528 S *	4/2007	Hastings	D3/215
D642,376 S *	8/2011	Pennington	D3/215
2008/0265082 A1	10/2008	Angiuli		

* cited by examiner

Primary Examiner — Catheri Oliver-Garcia

(74) *Attorney, Agent, or Firm* — Quarles & Brady LLP

(57) **CLAIM**

The ornamental design for a badge reel, as shown and described.

DESCRIPTION

FIG. 1 is a bottom, left and rear perspective view of a badge reel embodying our new design;
 FIG. 2 is a rear elevational view thereof;
 FIG. 3 is a left elevational view thereof, the right elevational view being a mirror image thereof;
 FIG. 4 is a front elevational view thereof;
 FIG. 5 is a top plan view thereof;
 FIG. 6 is a bottom plan view thereof;
 FIG. 7 is a bottom, left, back perspective view of a second embodiment of a badge reel embodying our new design;
 FIG. 8 is a rear elevational view thereof;
 FIG. 9 is a left elevational view thereof, the right elevational view being a mirror image thereof;
 FIG. 10 is a front elevational view thereof;
 FIG. 11 is a top plan view thereof;
 FIG. 12 is a bottom plan view thereof;
 FIG. 13 is a bottom, left, back perspective view of a third embodiment of a badge reel embodying our new design;
 FIG. 14 is a rear elevational view thereof;
 FIG. 15 is a left elevational view thereof, the right elevational view being a mirror image thereof;
 FIG. 16 is a front elevational view thereof;
 FIG. 17 is a top plan view thereof; and,
 FIG. 18 is a bottom plan view thereof.

The broken line representations in the views are for illustrative purposes only and form no part of the claimed design.
 In a preferred embodiment, the nature of this product is a badge reel for an identification card.

1 Claim, 6 Drawing Sheets

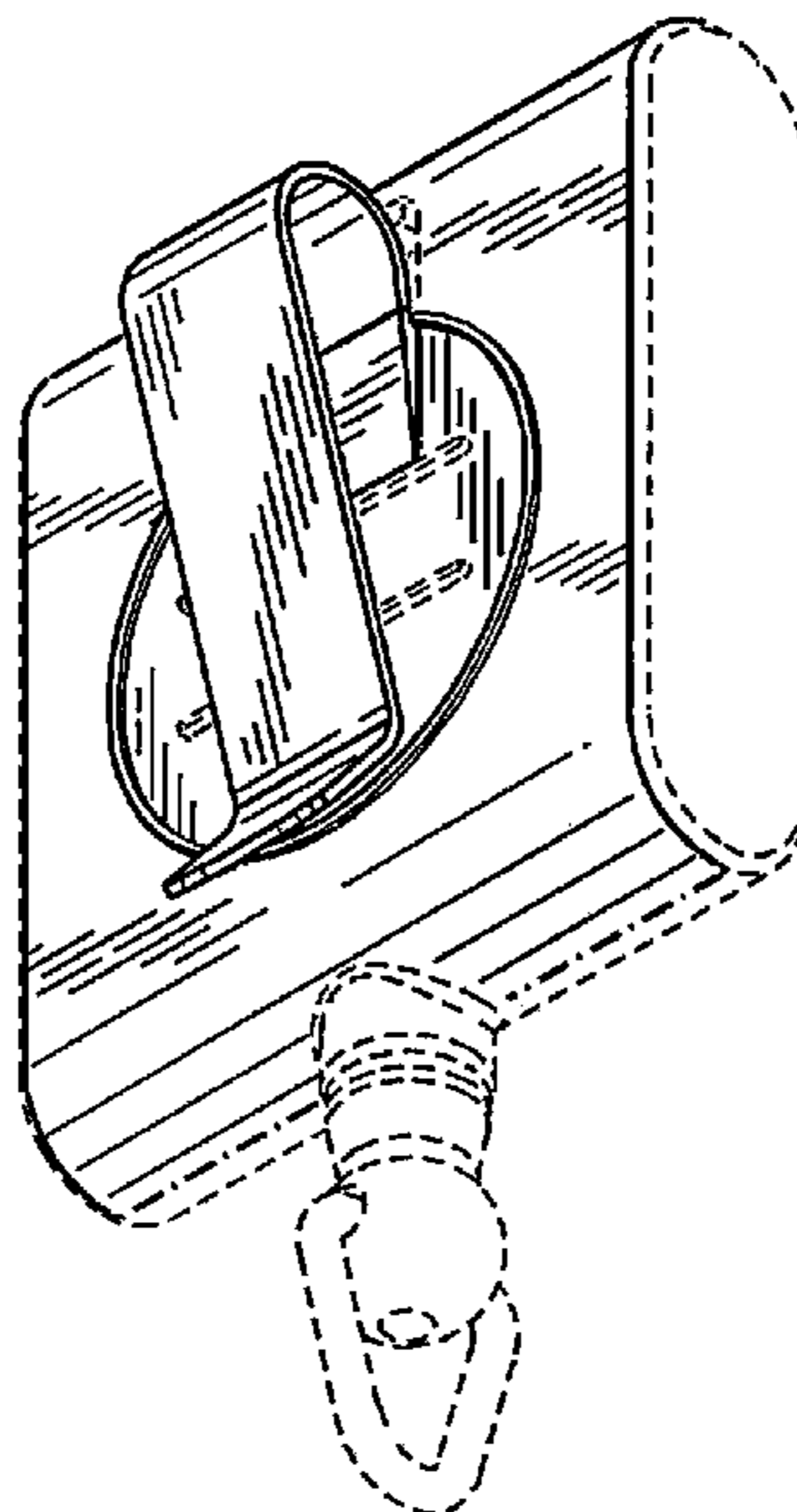


FIG. 1

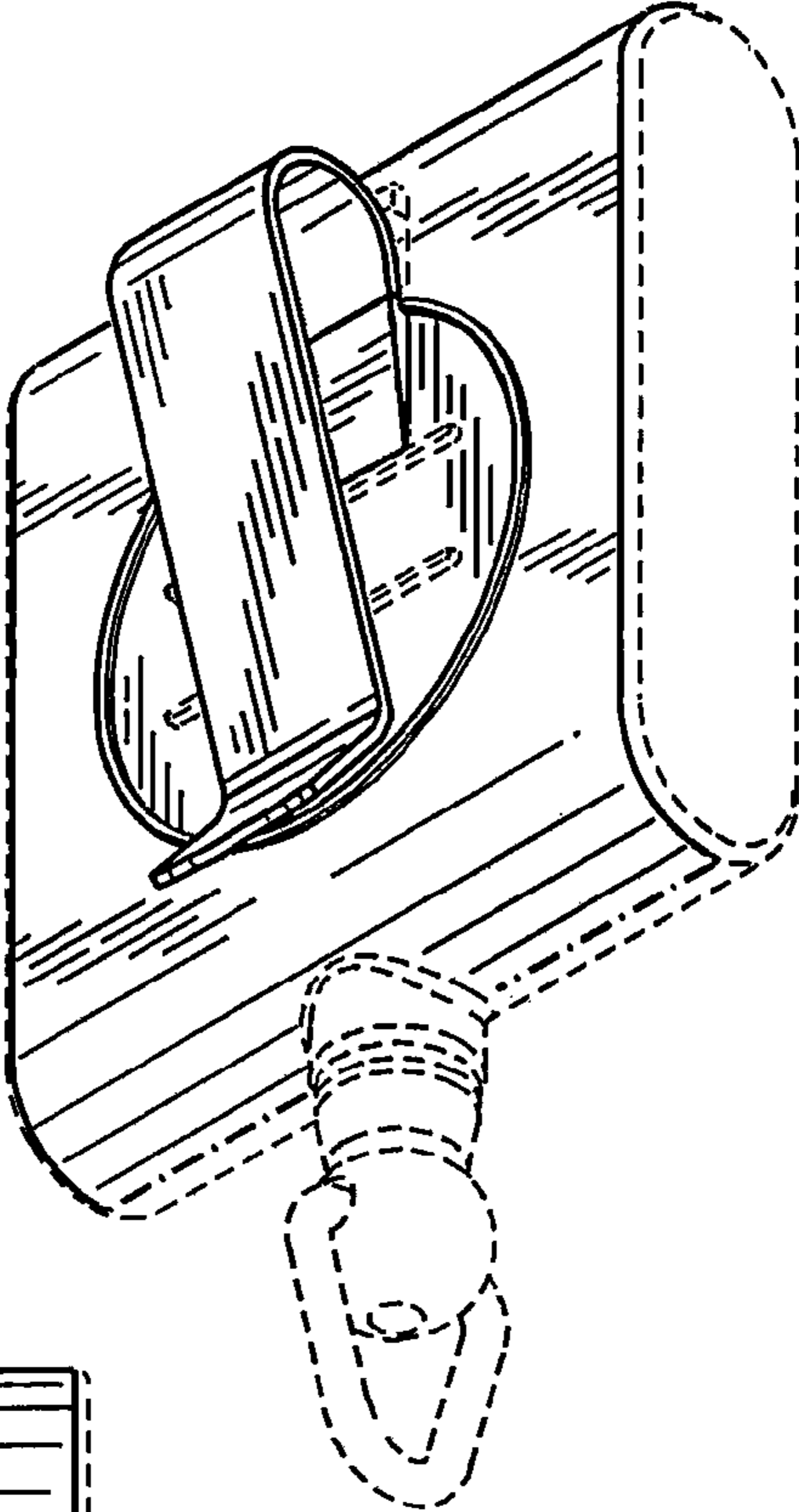
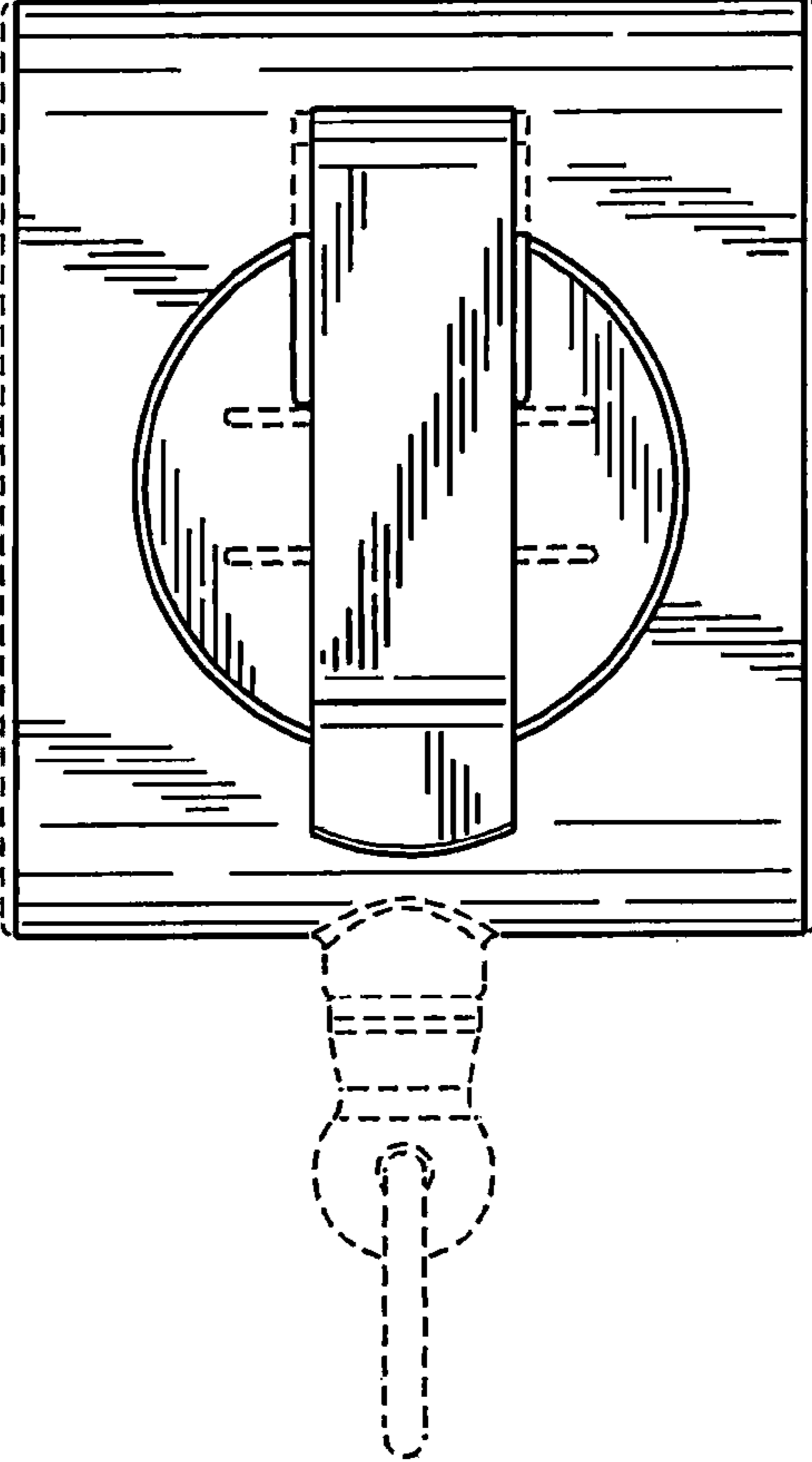


FIG. 2



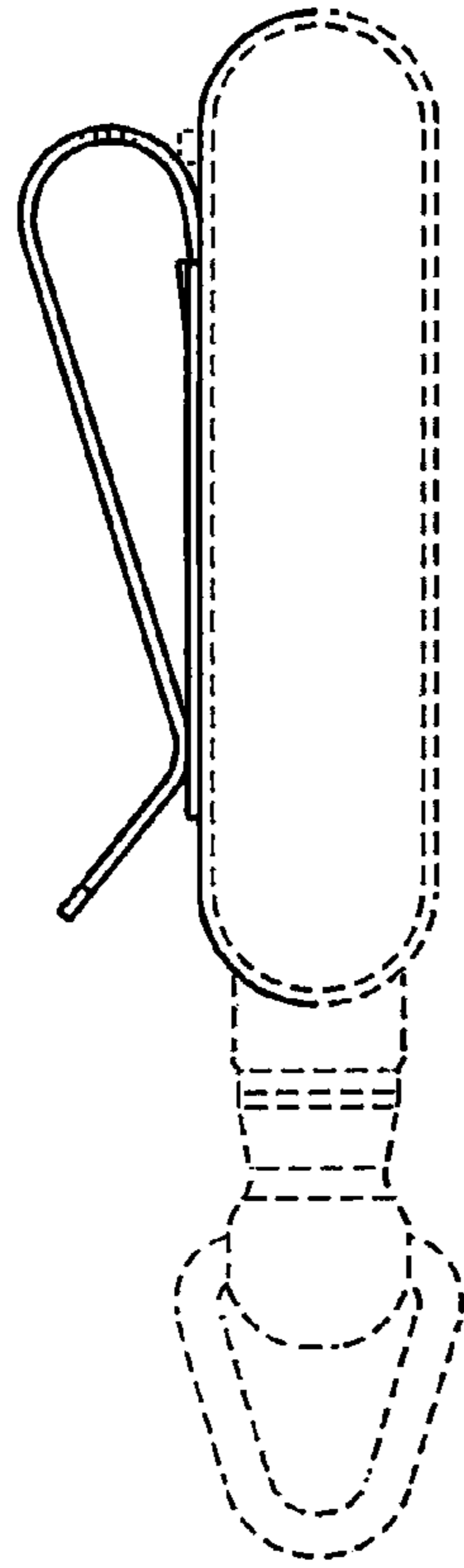


FIG. 3

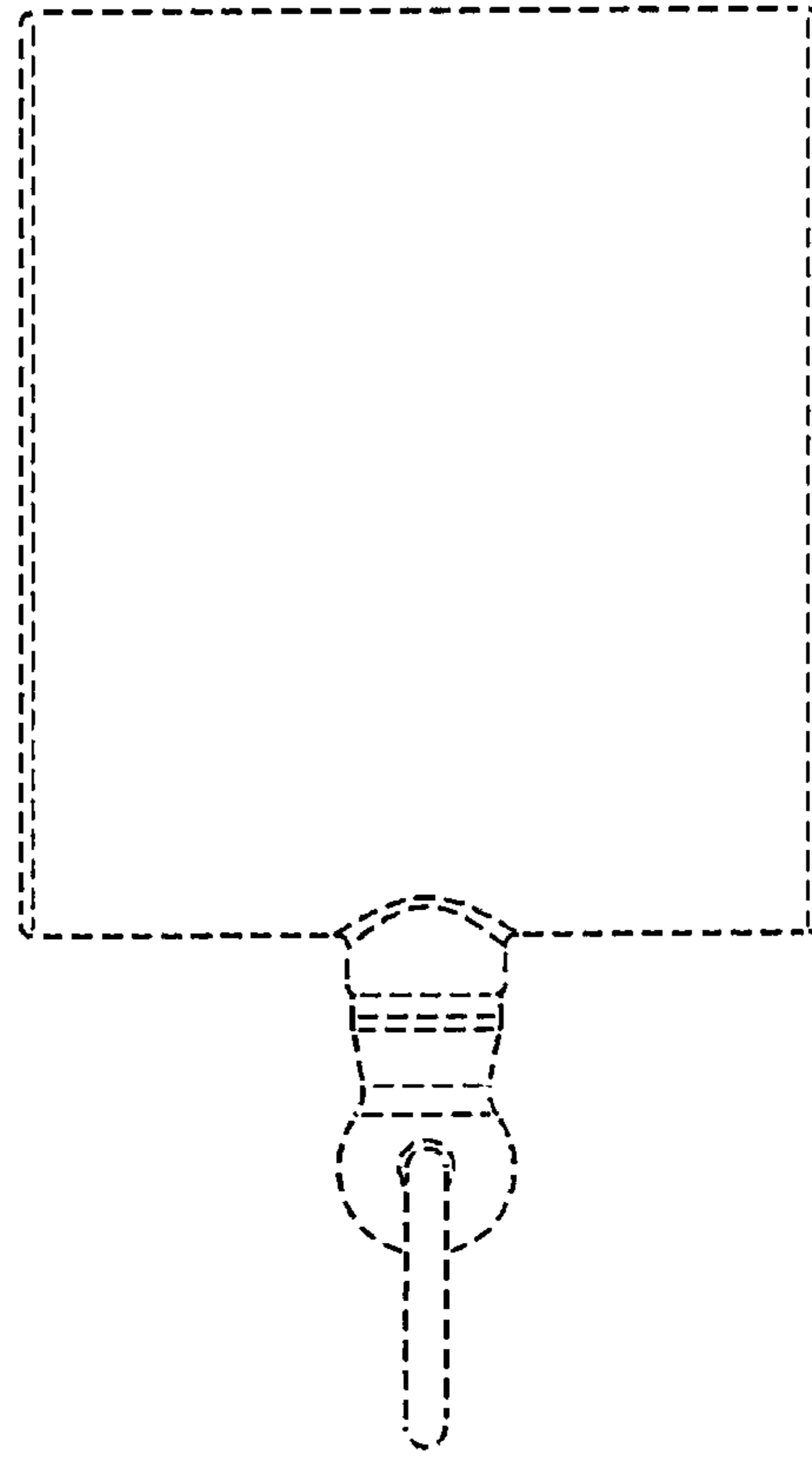


FIG. 4

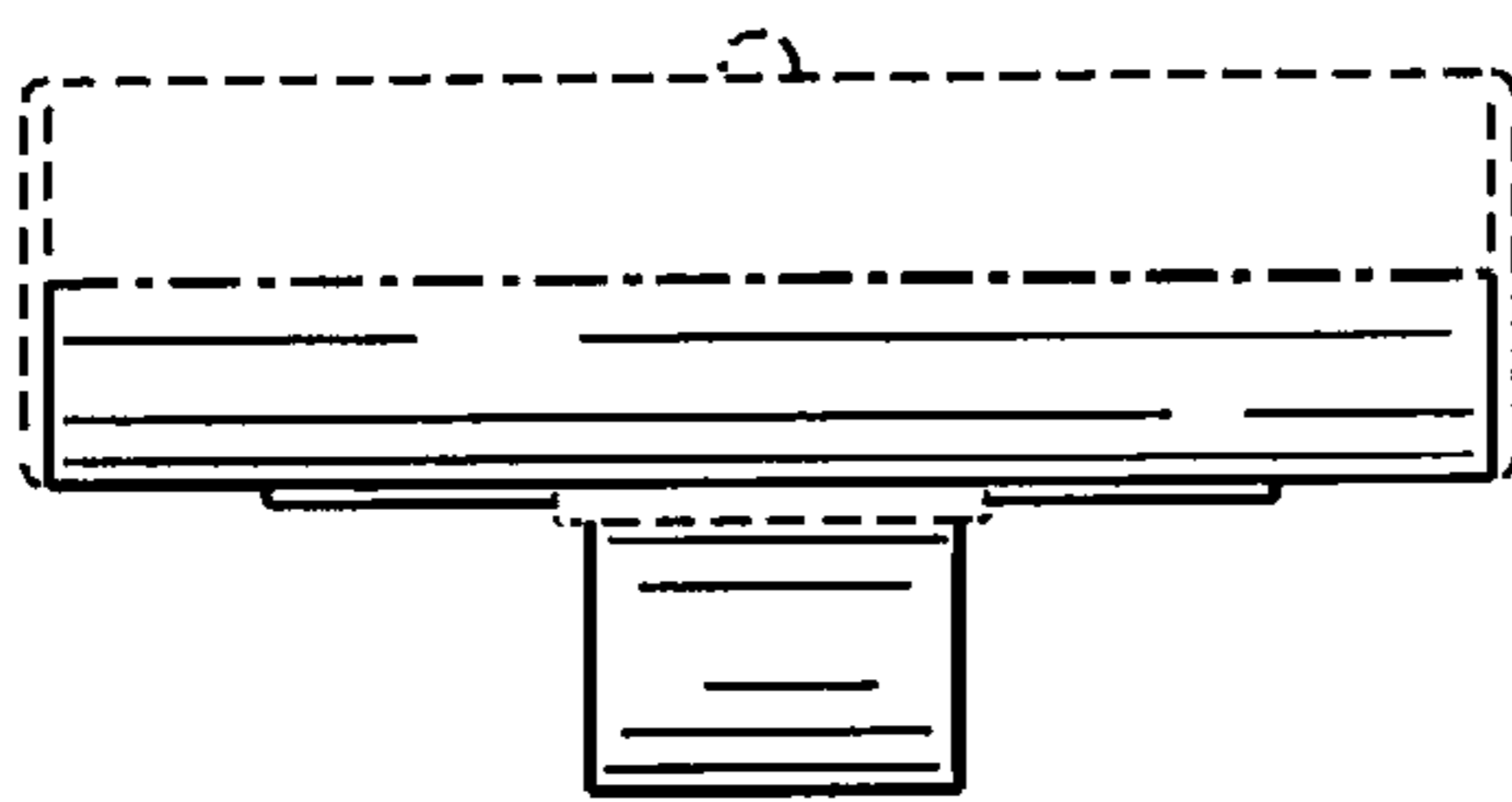


FIG. 5

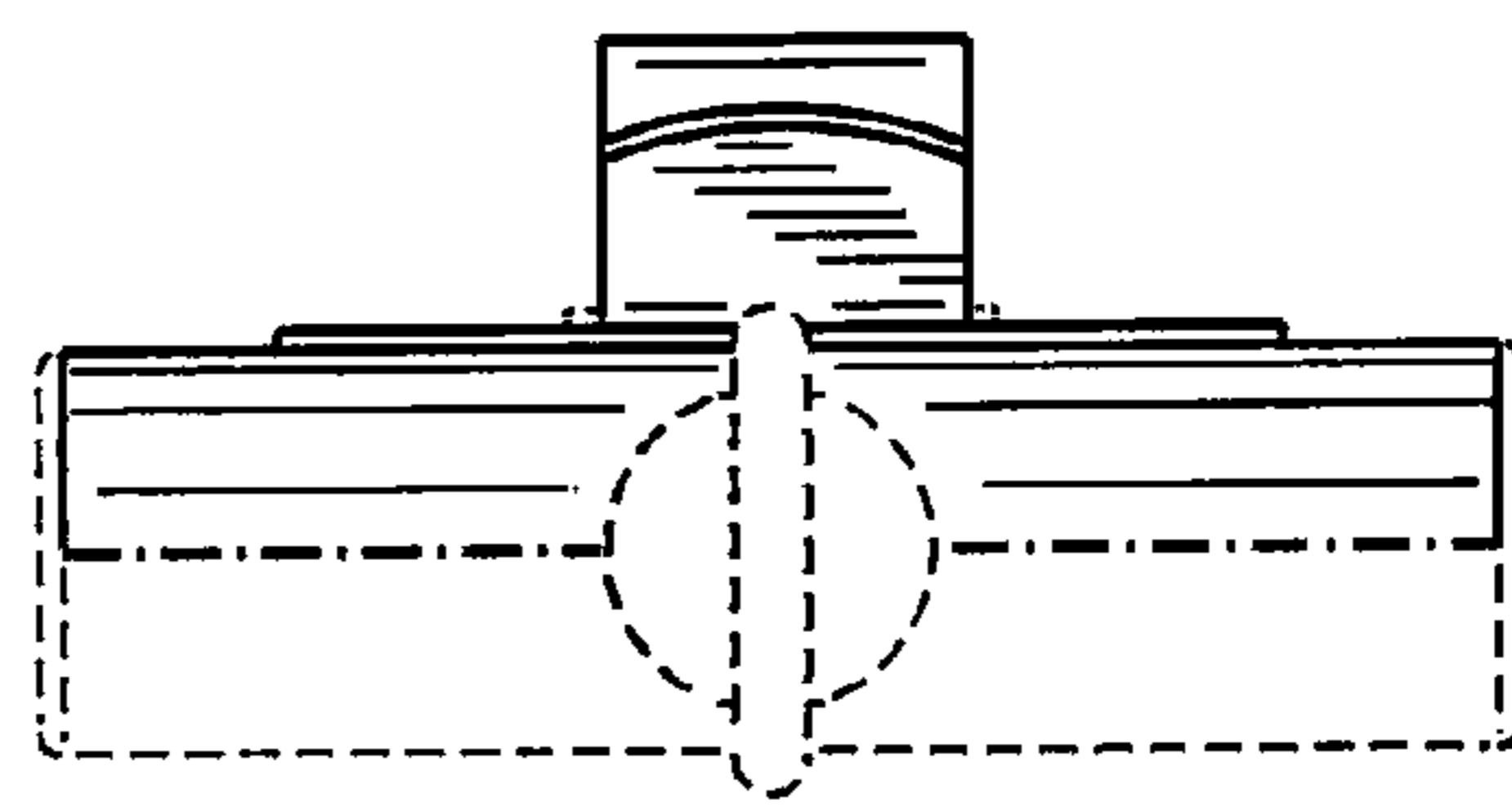


FIG. 6

FIG. 7

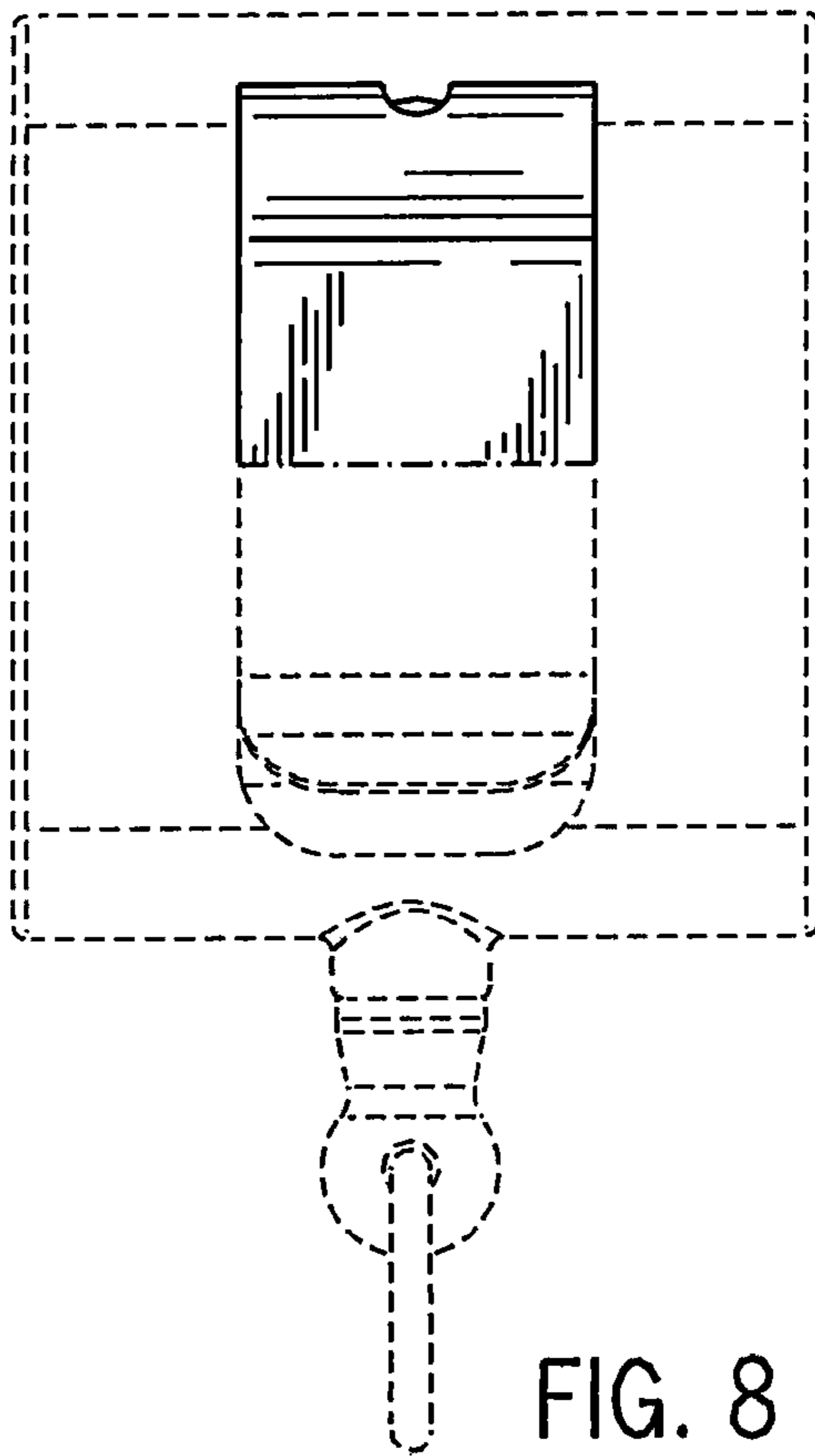
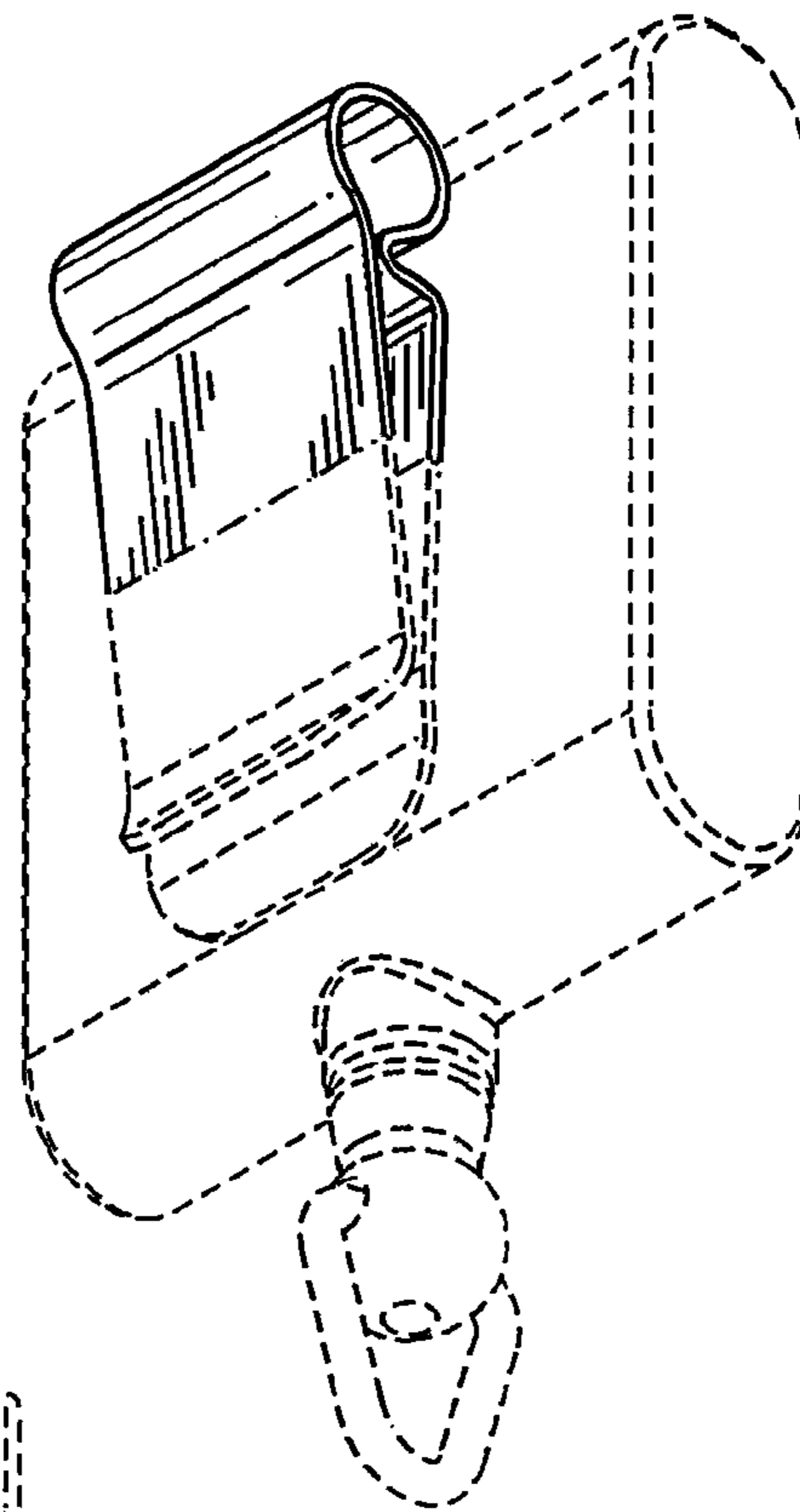


FIG. 8

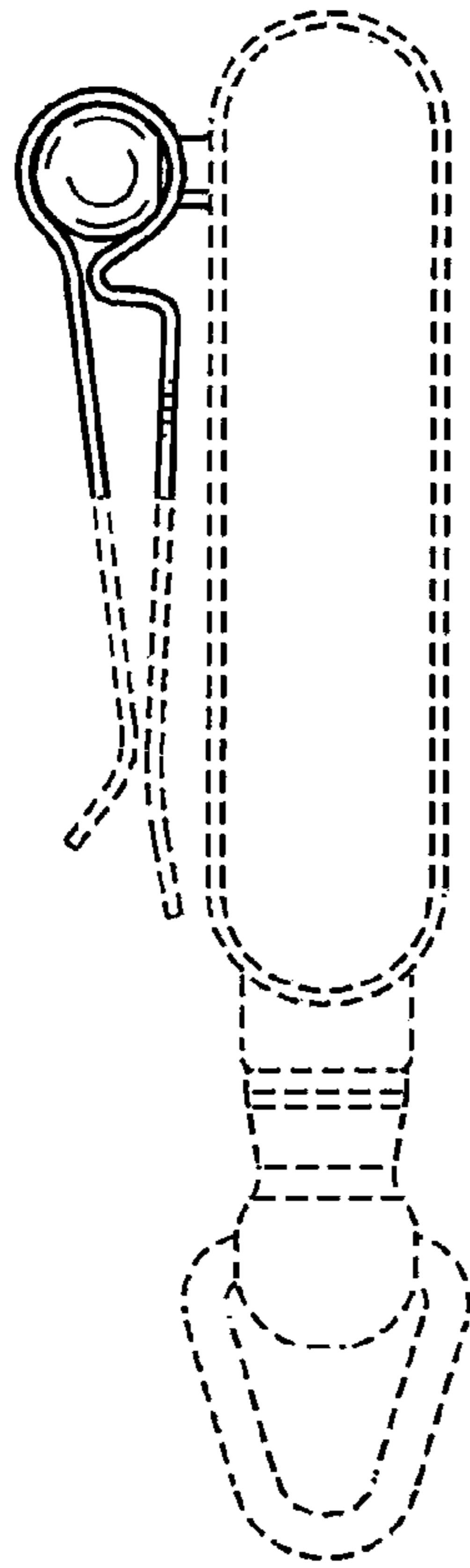


FIG. 9

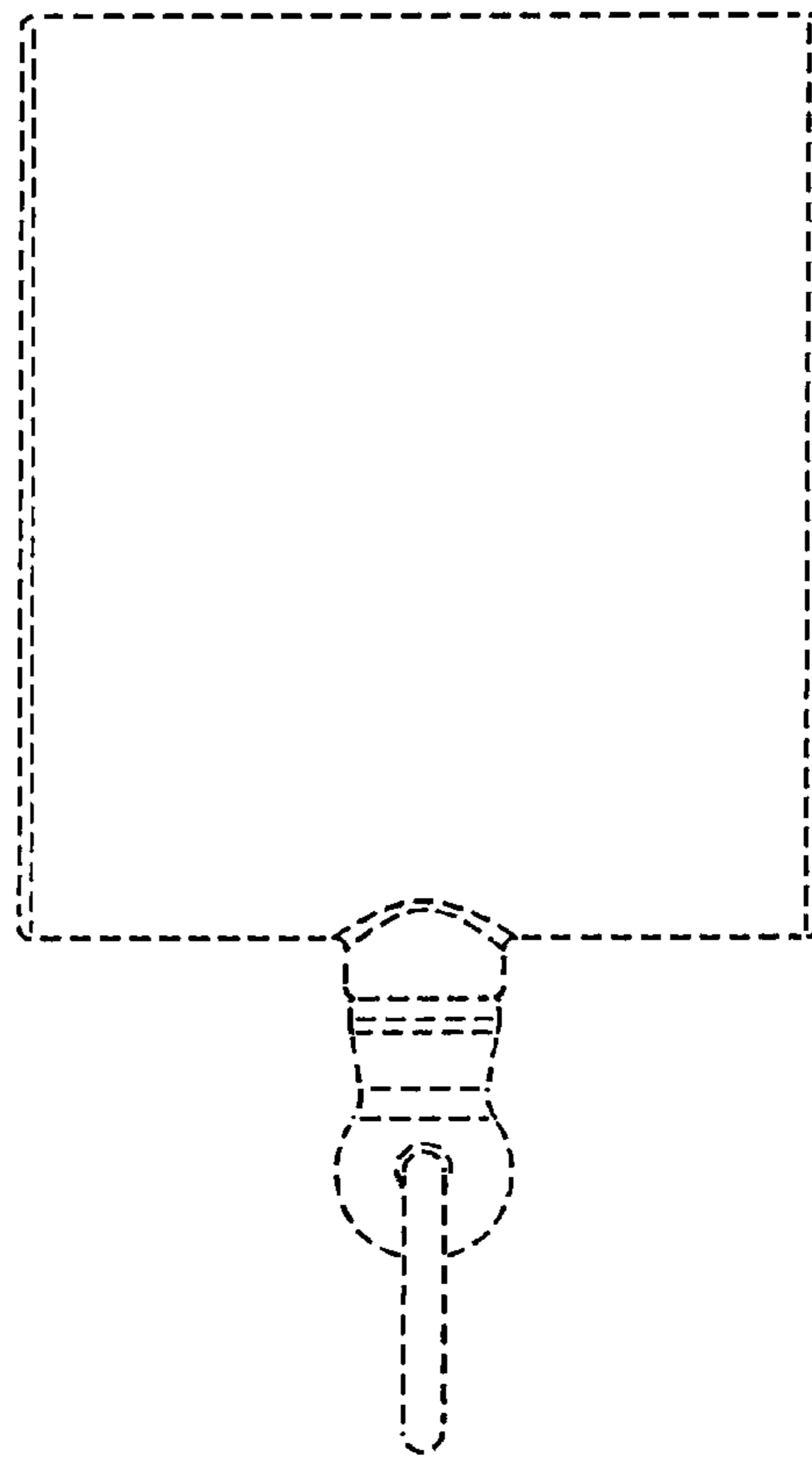


FIG. 10

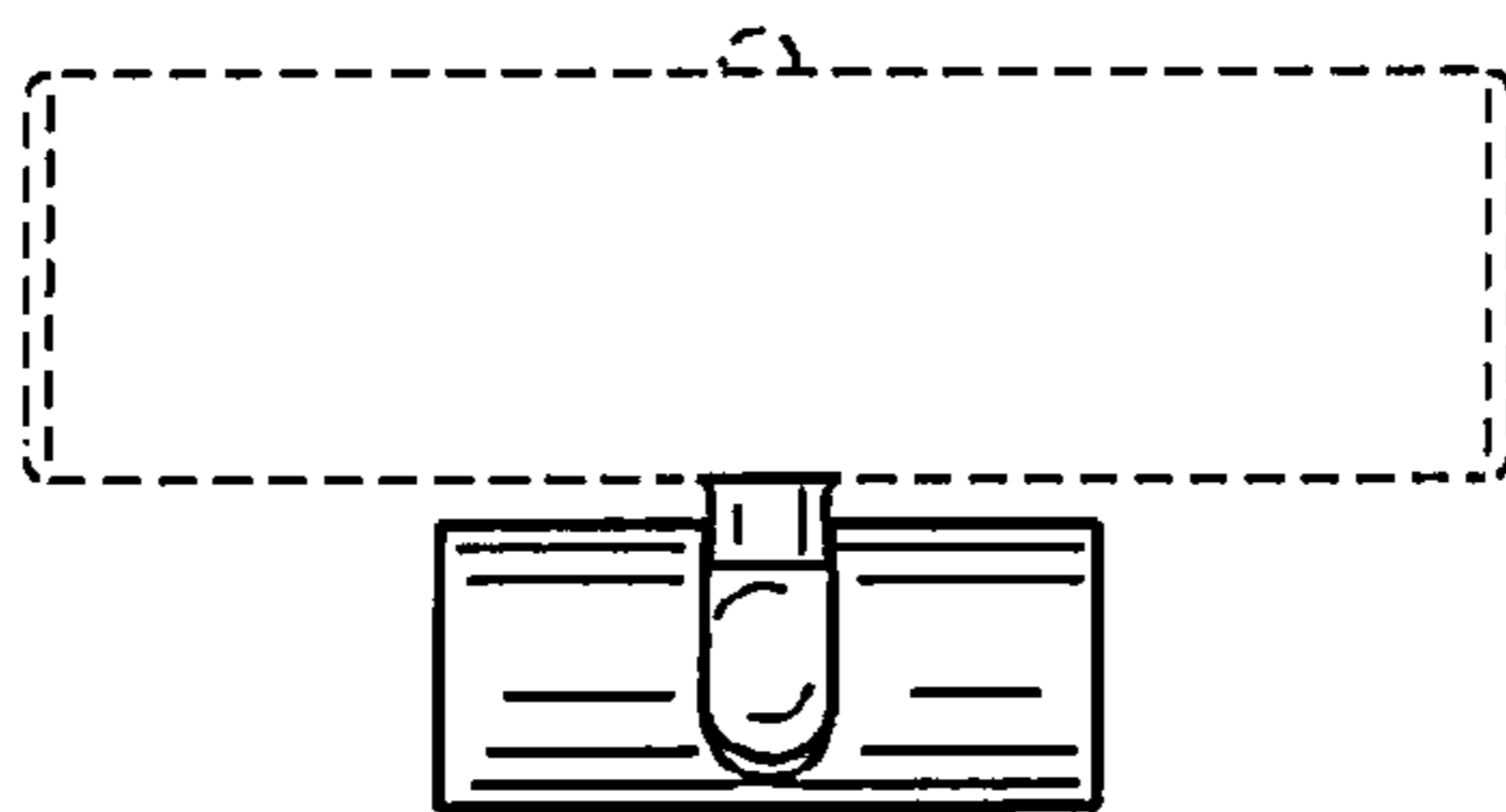


FIG. 11

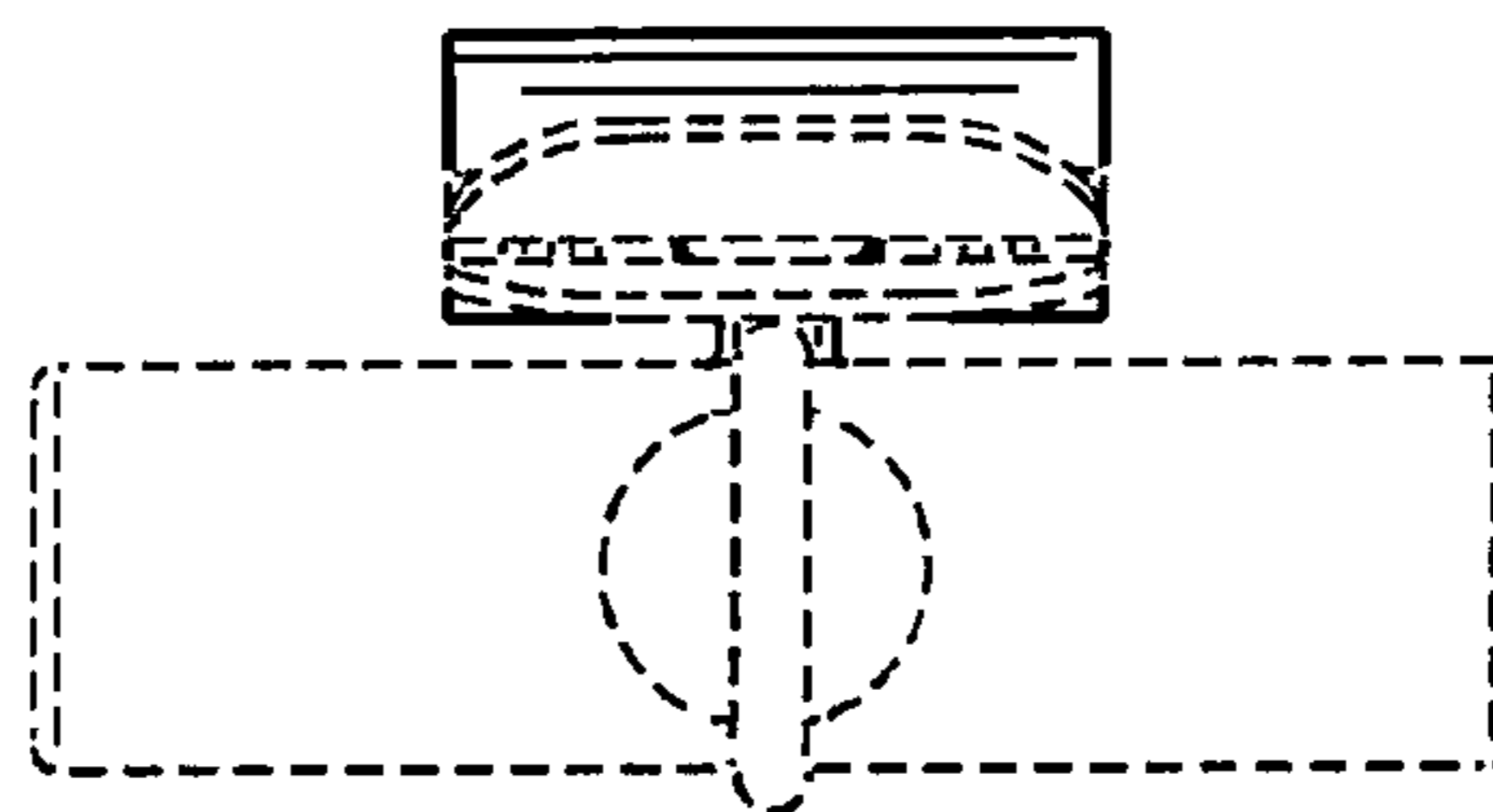


FIG. 12

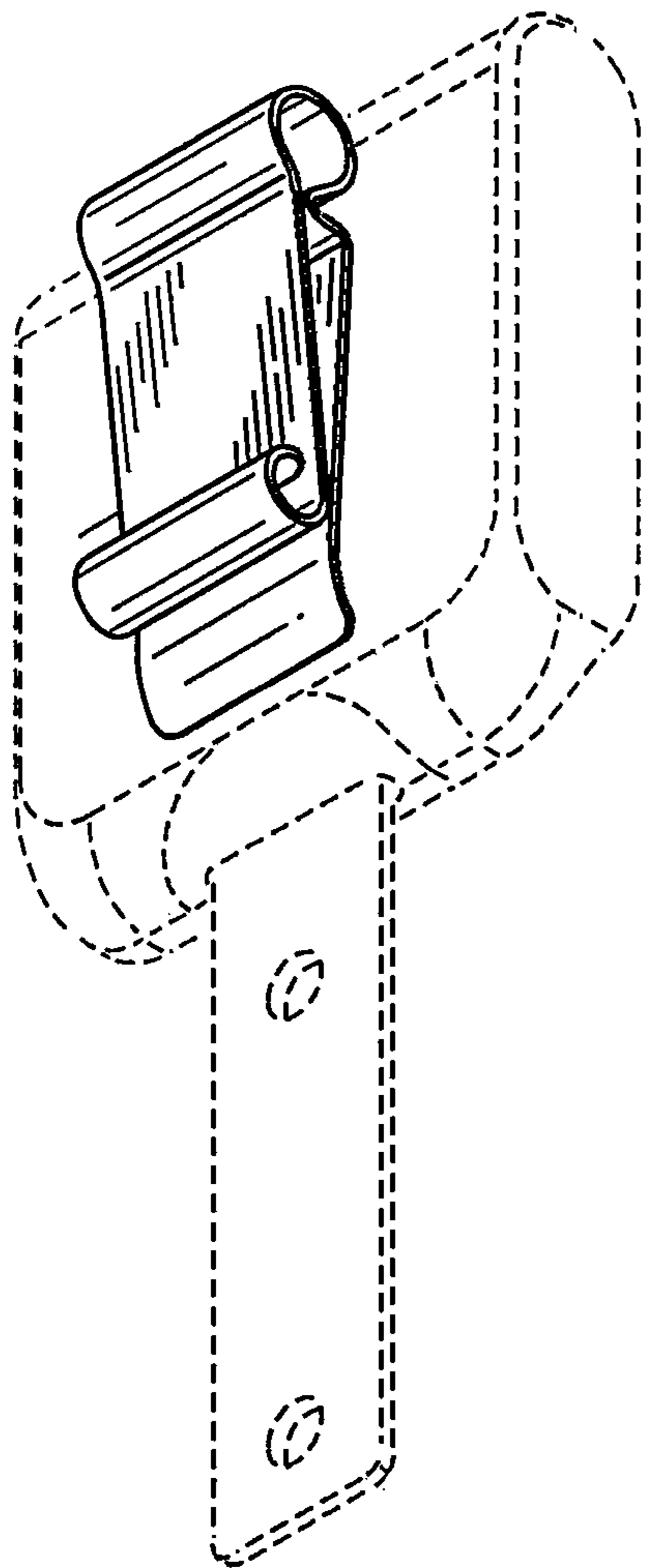


FIG. 13

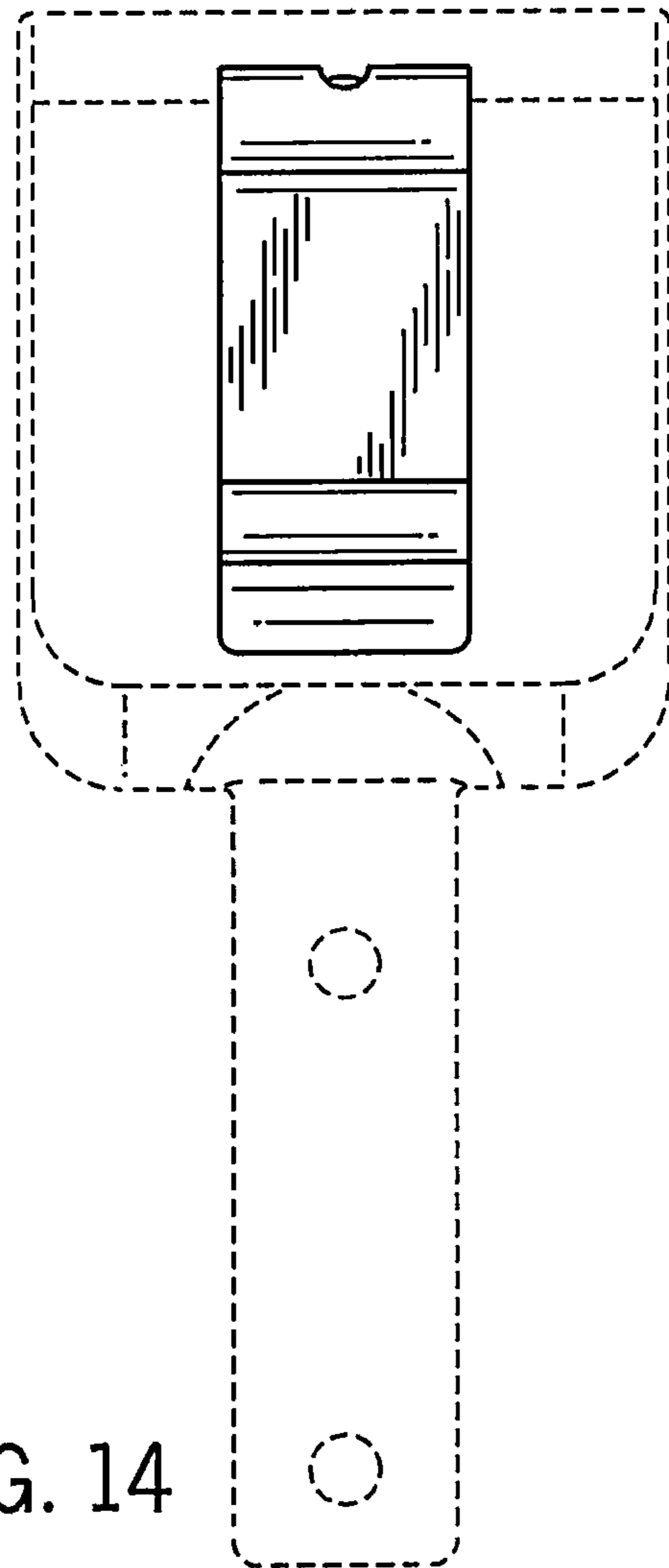


FIG. 14

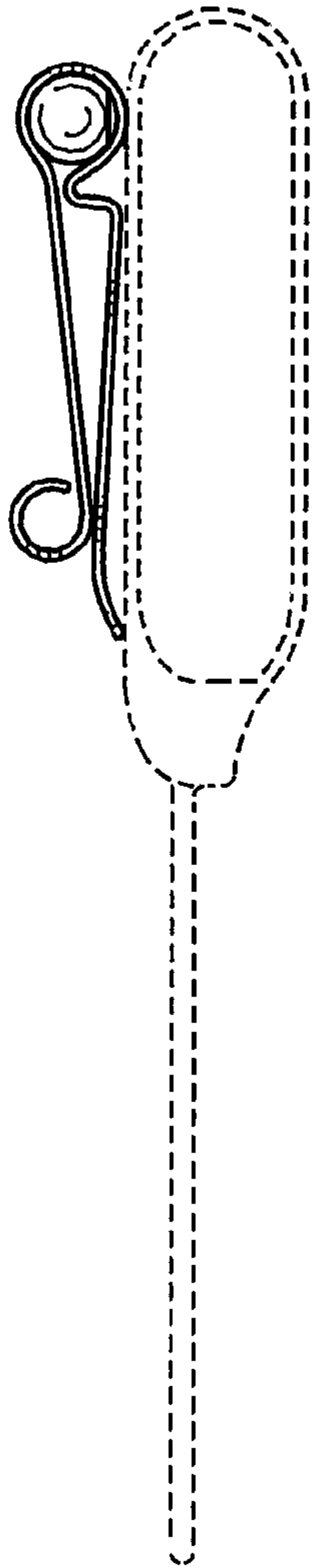


FIG. 15

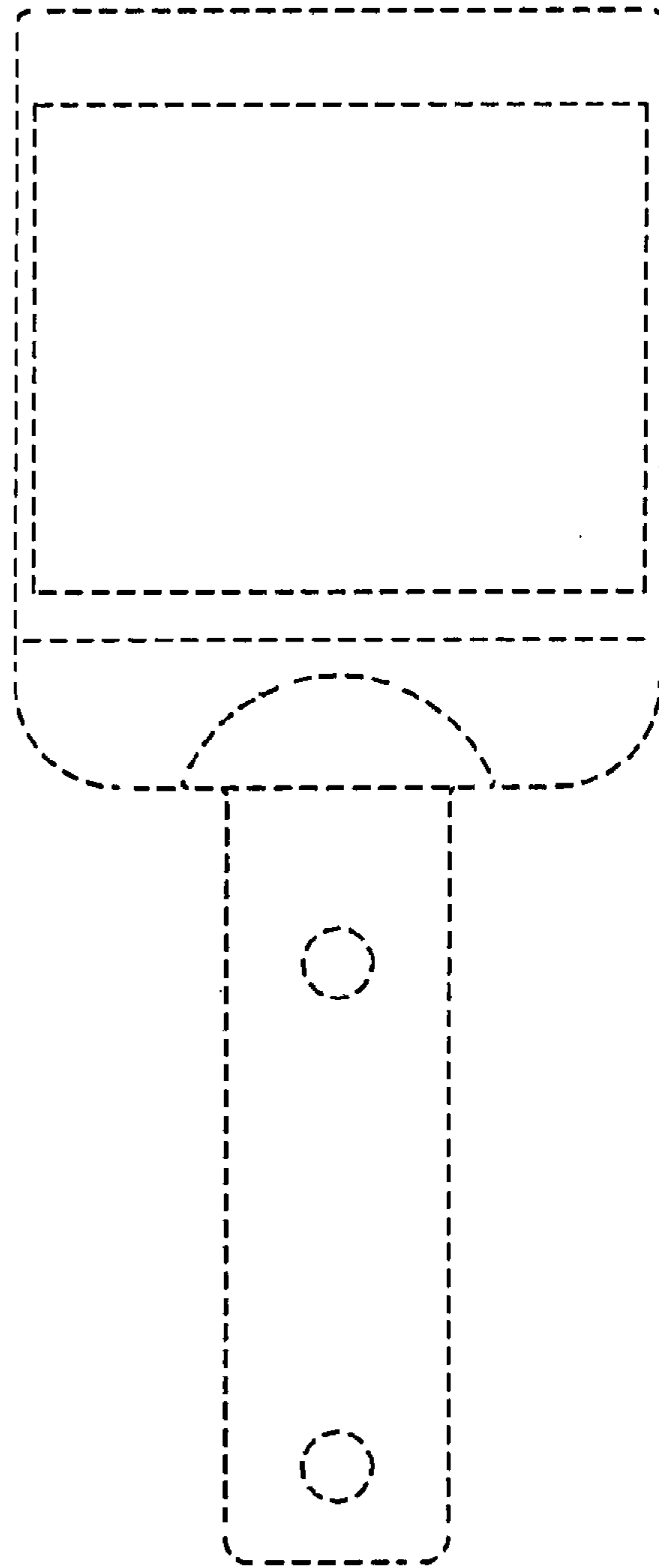


FIG. 16

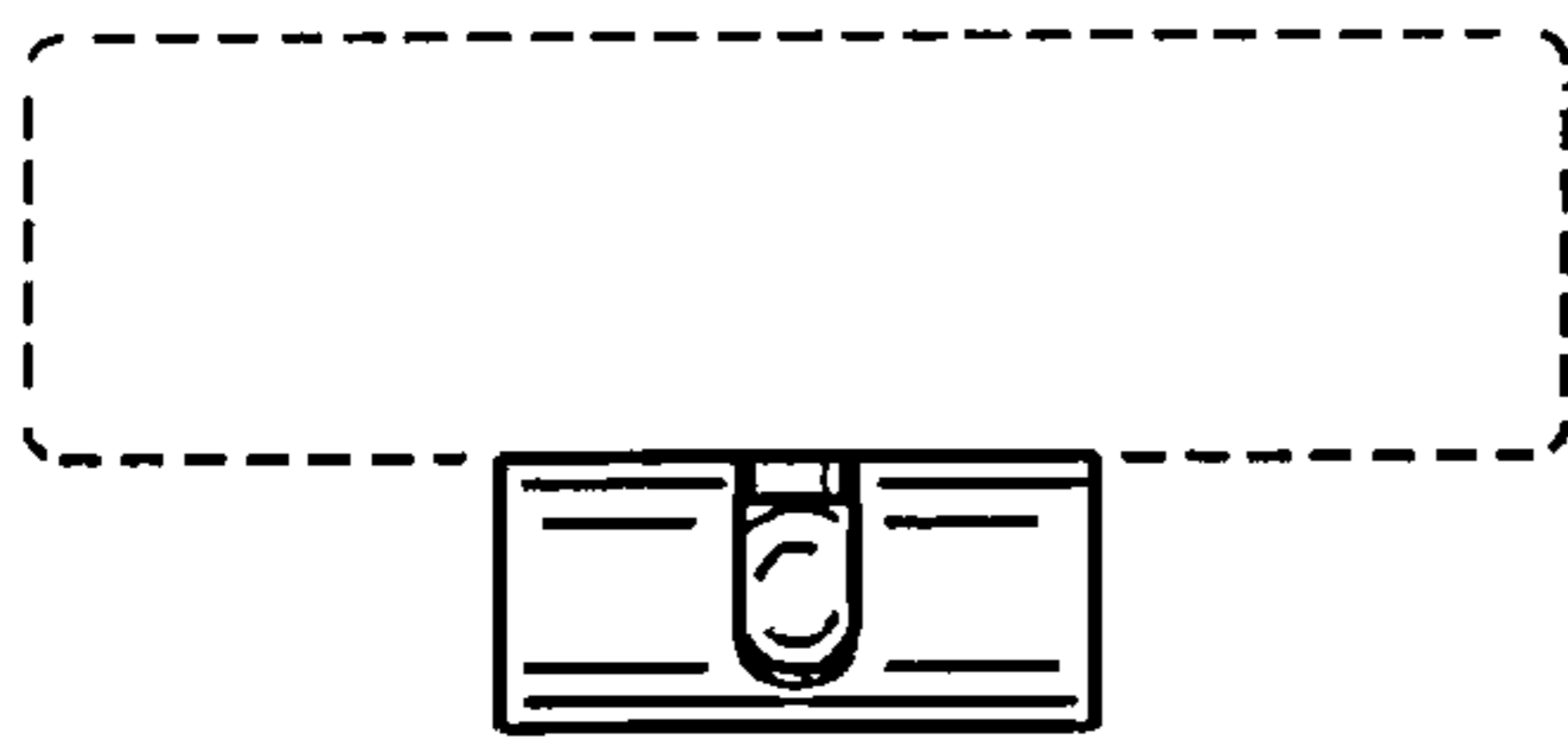


FIG. 17

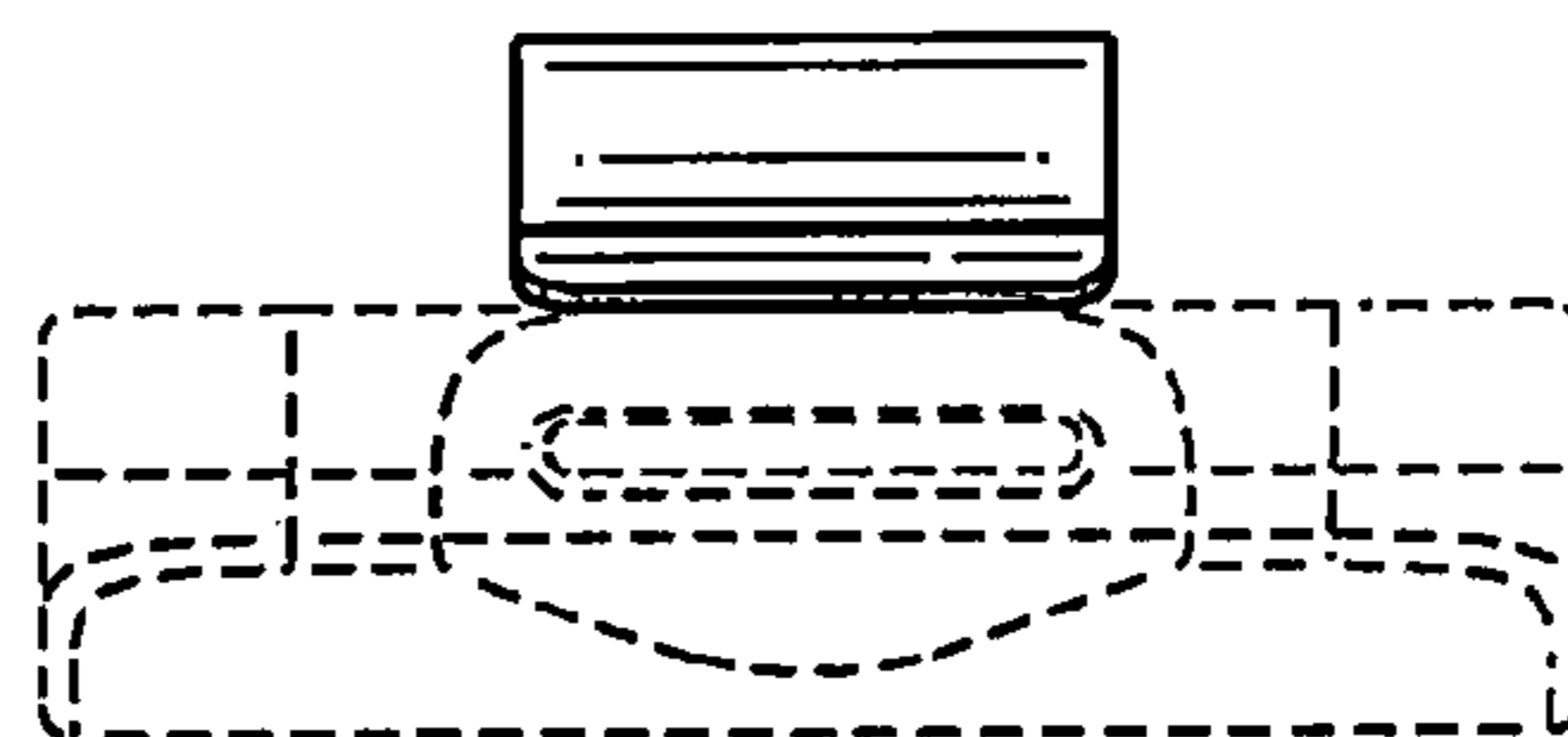


FIG. 18