



US00D685976S

(12) **United States Design Patent**
Martellato

(10) **Patent No.:** **US D685,976 S**
(45) **Date of Patent:** **** Jul. 16, 2013**

(54) **MANUAL DISPENSER OF EDIBLE FOODS SUCH AS ICE CREAM, PASTRY AND THE LIKE**

(75) Inventor: **Alessandro Martellato**, Noventa Padovana (IT)

(73) Assignee: **Martellato S.R.L.**, Noventa Padovana (PD) (IT)

(**) Term: **14 Years**

(21) Appl. No.: **29/425,780**

(22) Filed: **Jun. 27, 2012**

(51) **LOC (9) Cl.** **01-01**

(52) **U.S. Cl.**
USPC **D1/105**

(58) **Field of Classification Search**
USPC D1/100–130, 199; 426/94, 138, 143, 426/275, 277, 279, 281–284, 292, 295, 391, 426/496, 514, 566, 572, 660, 134, 104, 92; 249/92; D8/83; D21/487, 568
See application file for complete search history.

(56) **References Cited**

U.S. PATENT DOCUMENTS

D365,164 S * 12/1995 Yuen D26/48
D382,369 S * 8/1997 Yang D28/85
5,866,419 A * 2/1999 Meder 435/394

5,899,210 A * 5/1999 Letherby et al. 132/76.4
D439,838 S * 4/2001 Sagel et al. D9/430
D442,763 S * 5/2001 Ryder et al. D1/102
D504,551 S * 5/2005 Stoddart et al. D1/102
D551,561 S * 9/2007 Bieger et al. D9/561
D558,444 S * 1/2008 Ma D3/6
7,478,656 B2 * 1/2009 Brient 141/1
D622,606 S * 8/2010 Masotti et al. D9/561
D656,648 S * 3/2012 Tompkin D26/46
D659,123 S * 5/2012 Kim et al. D14/218

* cited by examiner

Primary Examiner — Cathron Brooks

Assistant Examiner — Katie Mroczka

(74) *Attorney, Agent, or Firm* — Hedman & Costigan, P.C.; Kathleen A. Costigan

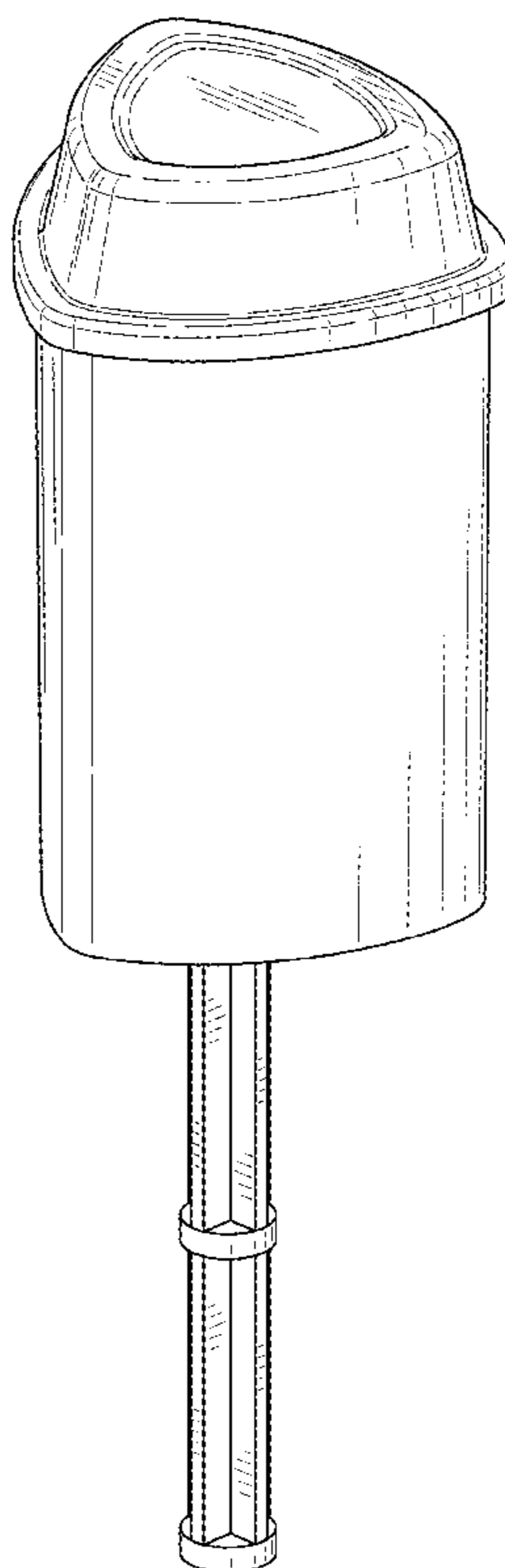
(57) **CLAIM**

The ornamental design for a manual dispenser of edible foods such as ice cream, pastry and the like, as shown and described.

DESCRIPTION

FIG. 1 is a front, left side perspective view of the invention; FIG. 2 is a front view thereof; FIG. 3 is a rear view thereof; FIG. 4 is a left side view thereof; FIG. 5 is a right side view thereof; FIG. 6 is a top view thereof; FIG. 7 is a bottom view thereof; and, FIG. 8 is a rear, left side perspective thereof.

1 Claim, 5 Drawing Sheets



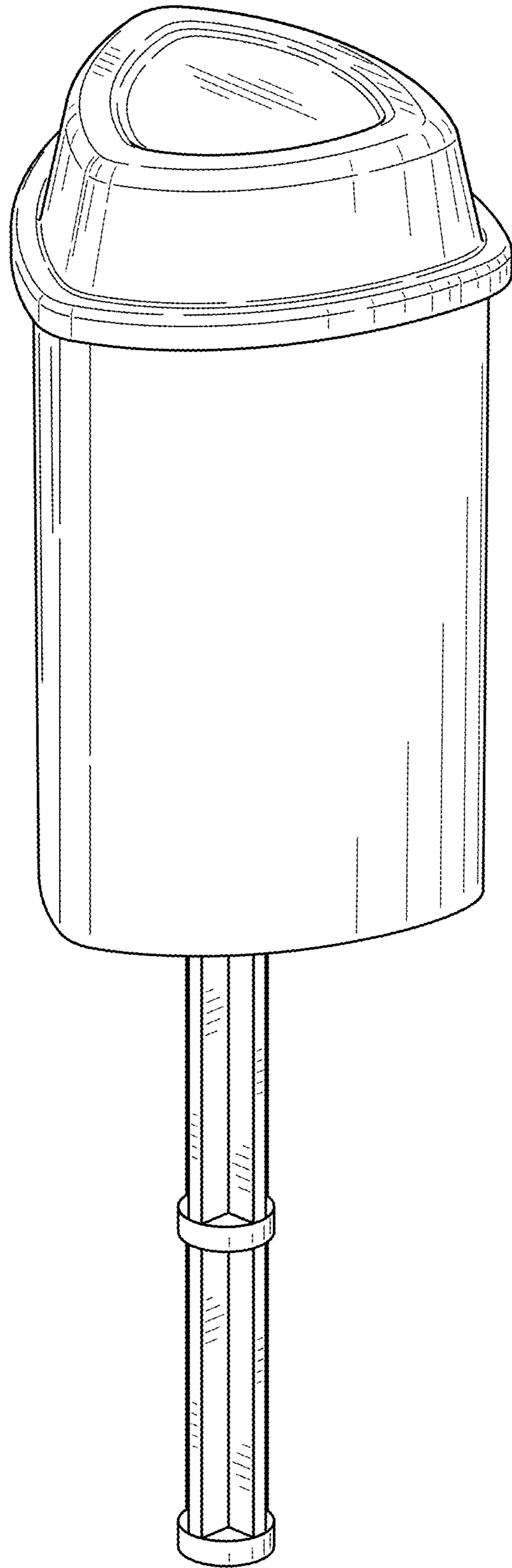


FIG. 1

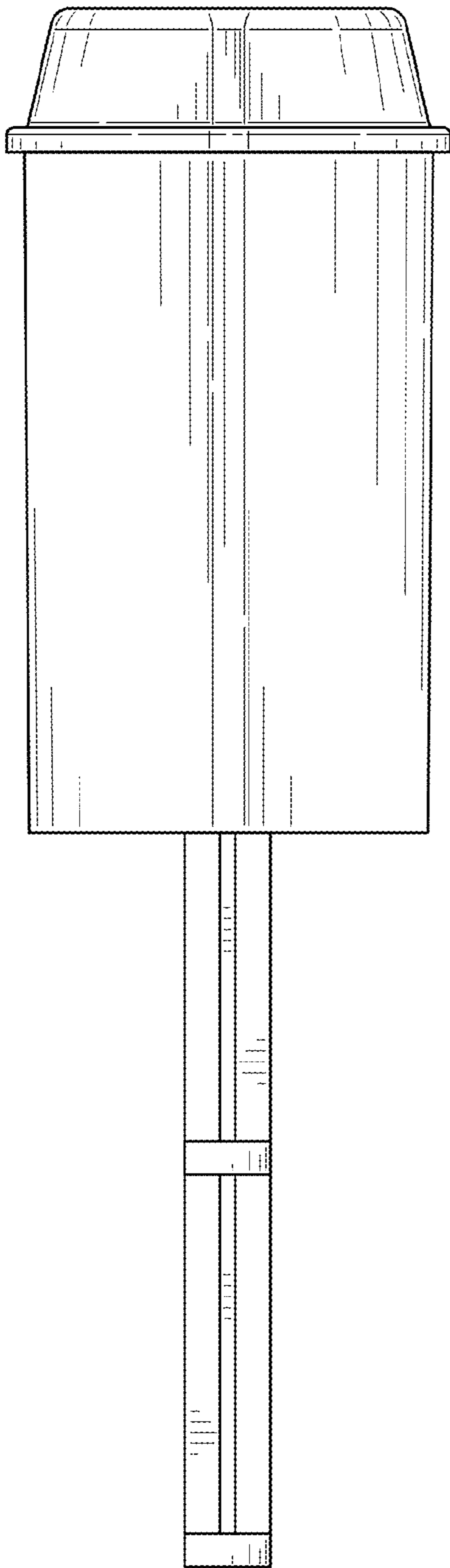


FIG. 2

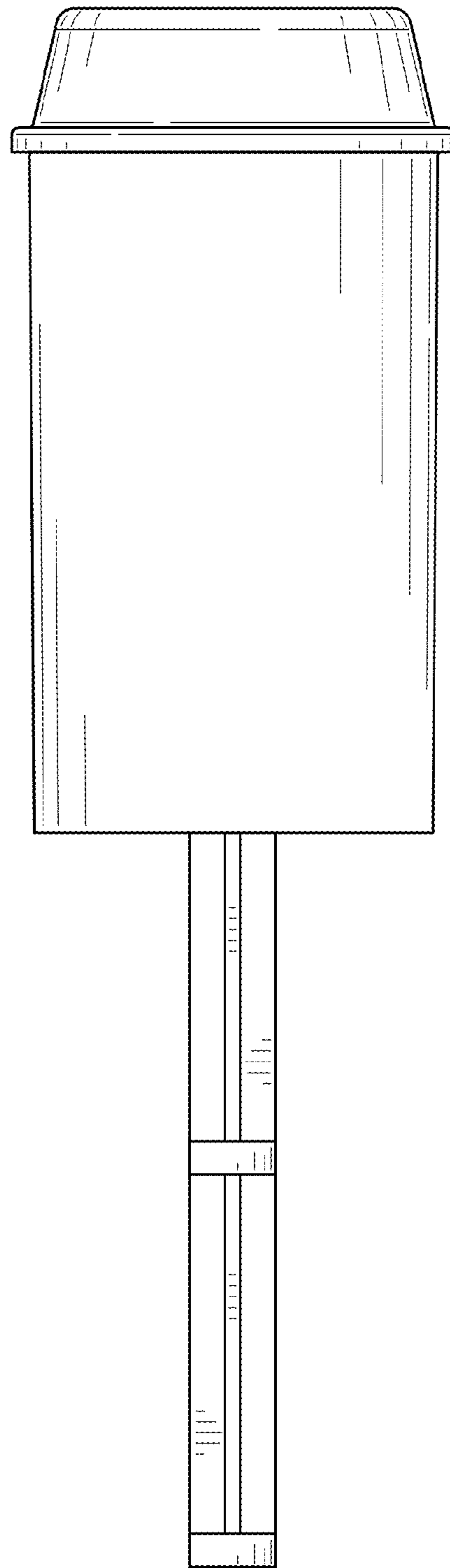


FIG. 3

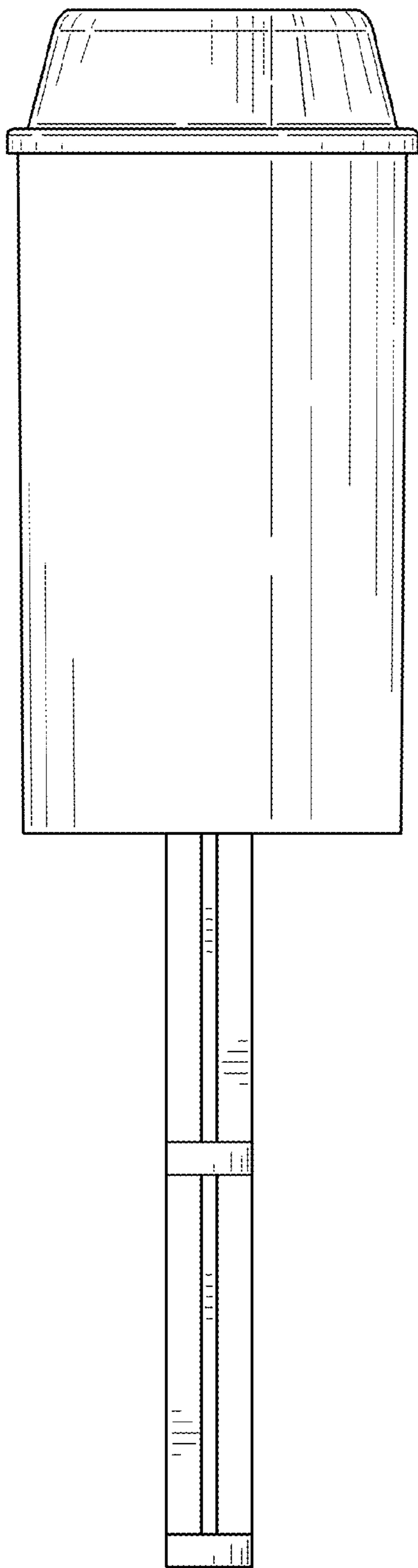


FIG. 4

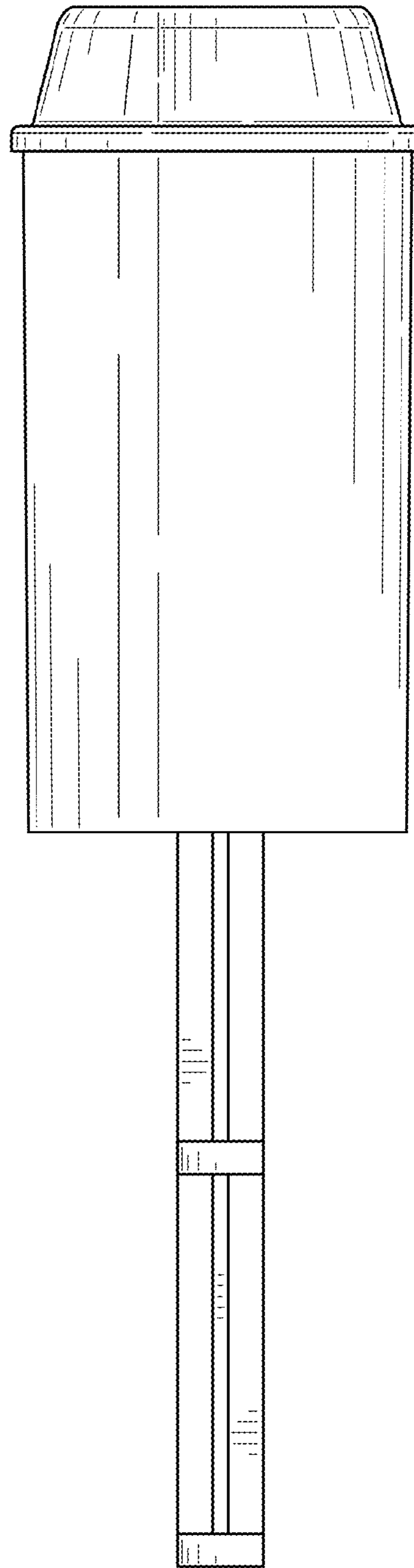


FIG. 5

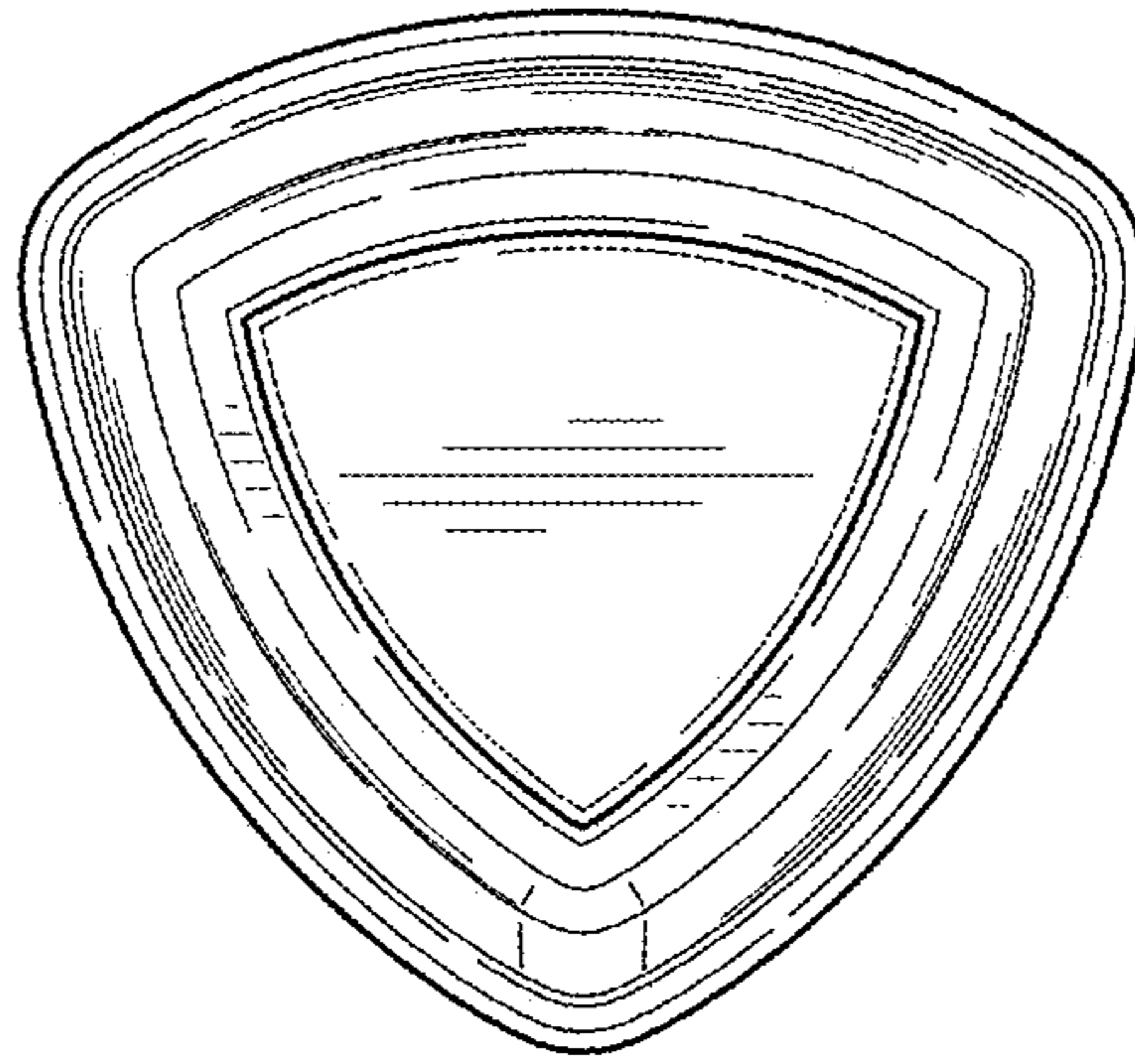


FIG. 6

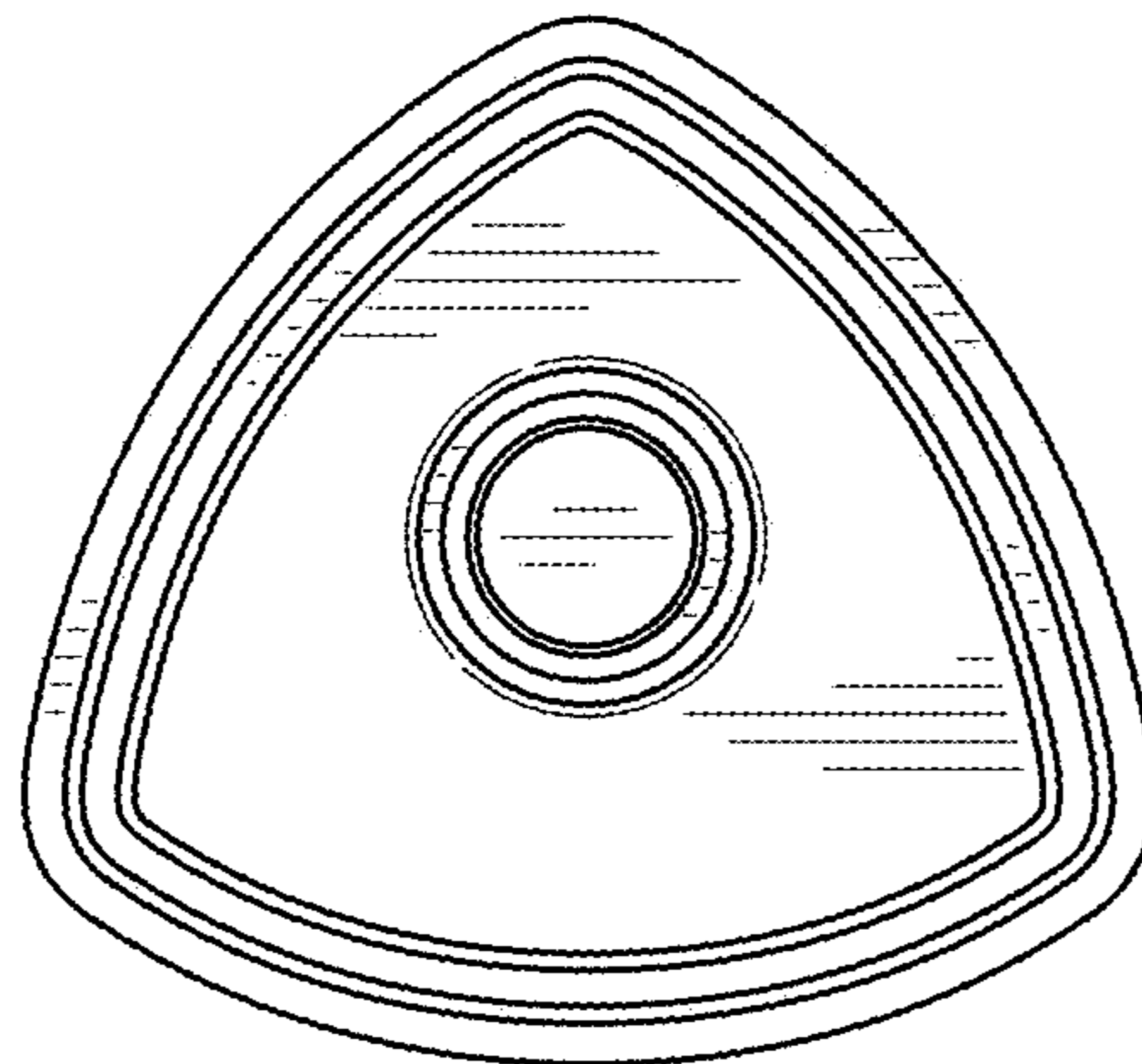


FIG. 7

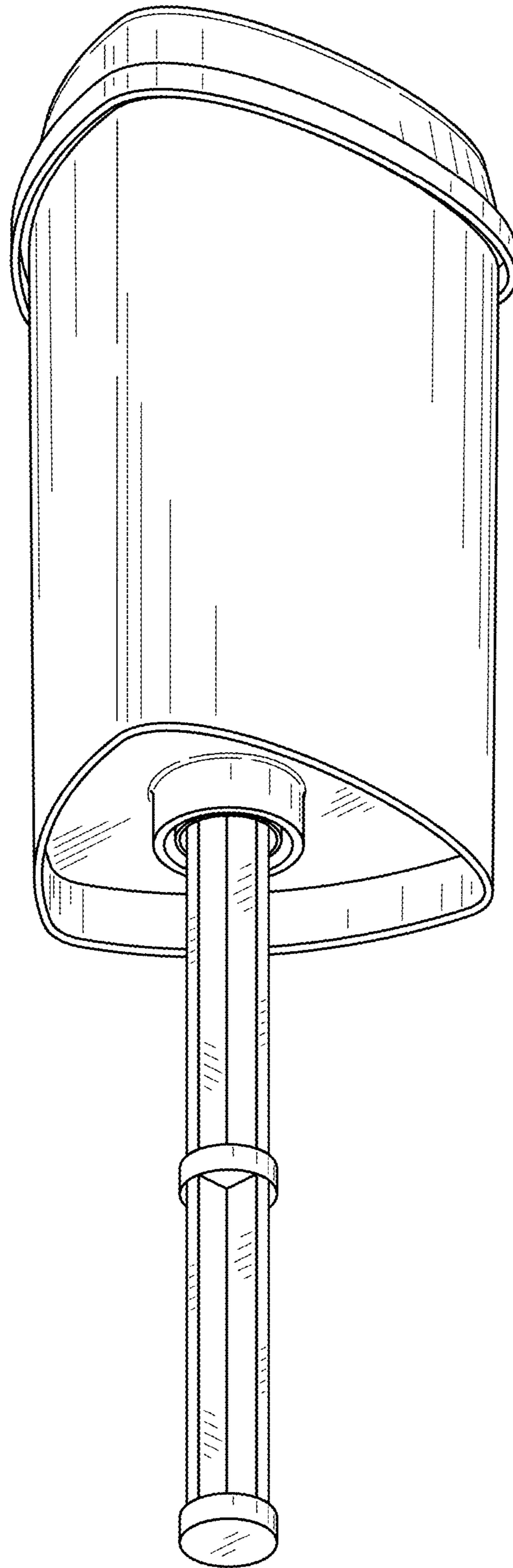


FIG. 8