



US00D685974S

(12) **United States Design Patent**
Price et al.

(10) **Patent No.:** **US D685,974 S**

(45) **Date of Patent:** **** Jul. 9, 2013**

(54) **GRABBER ASSEMBLY**

(75) Inventors: **Thomas Price**, Mentone, AL (US);
Robert H. Doll, Pittsburgh, PA (US);
Eugene Neplotnik, Pittsburgh, PA (US);
David Rice, Chapel Hill, NC (US)

(73) Assignee: **The Heil Co.**, Chattanooga, TN (US)

(**) Term: **14 Years**

(21) Appl. No.: **29/419,561**

(22) Filed: **Apr. 30, 2012**

(51) **LOC (9) Cl.** **12-05**

(52) **U.S. Cl.**
USPC **D34/28; D12/15**

(58) **Field of Classification Search**
USPC ... **D34/28, 35, 34; D15/32; D12/15; 414/408,**
414/421, 555
See application file for complete search history.

(56) **References Cited**

U.S. PATENT DOCUMENTS

4,227,849 A 10/1980 Worthington
4,242,037 A * 12/1980 Baumgarten 414/739
4,313,707 A 2/1982 Bingman et al.

(Continued)

FOREIGN PATENT DOCUMENTS

CA 2 358 737 4/2002

Primary Examiner — Cynthia Ramirez

(74) *Attorney, Agent, or Firm* — Harness, Dickey & Pierce, P.L.C.

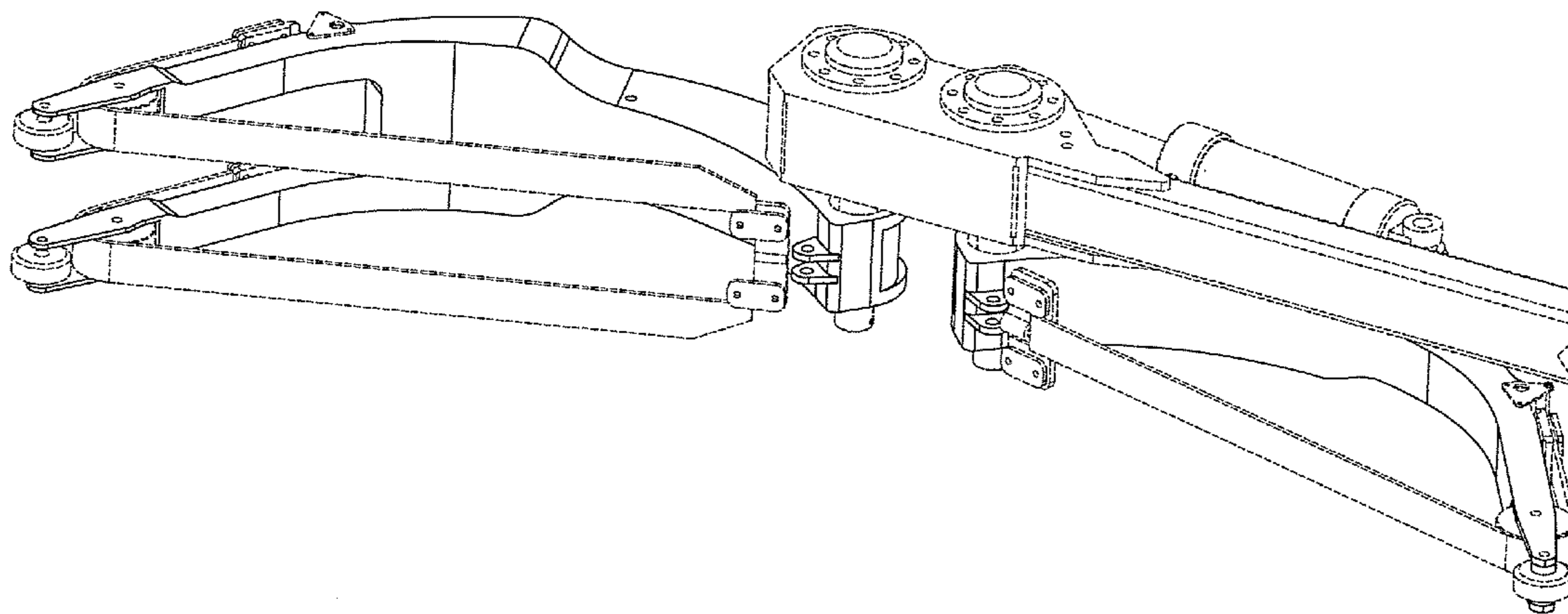
(57) **CLAIM**

The ornamental design for a grabber assembly, as shown and described.

DESCRIPTION

FIG. 1 is a perspective view of a grabber assembly;
FIG. 2 is a top plan view of the grabber assembly;
FIG. 3 is a rear elevation view of the grabber assembly;
FIG. 4 is a right side elevation view of the grabber assembly;
FIG. 5 is a left side elevation view of the grabber assembly;
FIG. 6 is a bottom plan view of the grabber assembly;
FIG. 7 is a front elevation view of the grabber assembly;
FIG. 8 is a perspective view of the left arm of the grabber assembly of FIG. 1;
FIG. 9 is a top plan view of the arm of FIG. 8;
FIG. 10 is a right side elevation view of the arm of FIG. 8;
FIG. 11 is a left side elevation view of the arm of FIG. 8;
FIG. 12 is a bottom plan view of the arm of FIG. 8;
FIG. 13 is a front elevation view of the arm of FIG. 8;
FIG. 14 is a rear elevation view of the arm of FIG. 8;
FIG. 15 is a perspective view of the right arm of the grabber assembly of FIG. 1;
FIG. 16 is a top plan view of the arm of FIG. 15;
FIG. 17 is a left side elevation view of the arm of FIG. 15;
FIG. 18 is a right side elevation view of the arm of FIG. 15;
FIG. 19 is a bottom plan view of the arm of FIG. 15;
FIG. 20 is a rear elevation view of the arm of FIG. 15; and,
FIG. 21 is a front elevation view of the arm of FIG. 15.

1 Claim, 12 Drawing Sheets



US D685,974 S

Page 2

U.S. PATENT DOCUMENTS

4,401,407	A	8/1983	Breckenridge		5,975,604	A *	11/1999	Wolin et al.	294/198
4,413,945	A *	11/1983	LaBounty	414/739	5,988,970	A	11/1999	Holtom	
4,461,607	A	7/1984	Smith		6,007,291	A	12/1999	Ghibaudo	
4,461,608	A	7/1984	Boda		D425,528	S *	5/2000	Lindgren et al.	D15/32
D306,599	S *	3/1990	Hunter	D15/32	6,095,744	A	8/2000	Harrison	
5,020,844	A	6/1991	Pickrell		6,183,185	B1	2/2001	Zanzig et al.	
5,026,104	A	6/1991	Pickrell		6,210,094	B1	4/2001	McNeilus et al.	
5,049,026	A	9/1991	Bingman et al.		6,213,706	B1	4/2001	Christenson	
5,092,731	A	3/1992	Jones et al.		D442,757	S *	5/2001	Loflin, Sr.	D34/35
5,209,537	A	5/1993	Smith et al.		6,350,098	B1	2/2002	Christenson et al.	
RE34,292	E	6/1993	Bingman et al.		6,390,758	B1	5/2002	McNeilus et al.	
5,360,310	A	11/1994	Jones et al.		6,474,928	B1	11/2002	Christenson	
5,474,413	A	12/1995	Georg		6,494,665	B1	12/2002	Bingman	
5,505,576	A	4/1996	Sizemore et al.		6,644,906	B2	11/2003	Bayne	
5,513,942	A	5/1996	Pickrell		6,719,226	B2	4/2004	Rajewski	
5,551,824	A	9/1996	Zanzig et al.		6,761,523	B2	7/2004	Hund, Jr. et al.	
5,562,386	A	10/1996	Browning		6,821,074	B2	11/2004	Schreiber et al.	
5,577,877	A	11/1996	Smith et al.		7,037,061	B2	5/2006	Hund, Jr. et al.	
5,651,654	A	7/1997	Christenson		7,066,514	B2	6/2006	Smith et al.	
D388,582	S *	12/1997	Irvin, Jr.	D34/28	7,086,818	B2	8/2006	Pruteanu et al.	
5,702,225	A	12/1997	Ghibaudo		D553,162	S *	10/2007	Cazes	D15/32
5,711,565	A	1/1998	Smith et al.		D586,074	S *	2/2009	Auf der Maur	D34/35
5,720,589	A	2/1998	Christenson et al.		7,559,735	B2	7/2009	Pruteanu et al.	
5,755,547	A	5/1998	Flerchinger et al.		D668,832	S *	10/2012	Auf der Maur	D34/35
5,759,008	A	6/1998	Smith et al.		D671,294	S *	11/2012	Auf der Maur	D34/35
5,769,592	A	6/1998	Christenson		D672,369	S *	12/2012	Secker et al.	D15/28
5,813,824	A	9/1998	Zanzig et al.		D676,213	S *	2/2013	Dyrvall et al.	D34/28
5,833,429	A	11/1998	McNeilus et al.		2001/0001637	A1	5/2001	Zanzig et al.	
5,846,044	A	12/1998	Smith et al.		2002/0159870	A1	10/2002	Pruteanu et al.	
5,931,628	A	8/1999	Christenson		2007/0059148	A1 *	3/2007	Westendorf et al.	414/729
5,934,858	A	8/1999	Christenson		2011/0243692	A1	10/2011	Fortin et al.	
5,967,731	A	10/1999	Brandt						

* cited by examiner

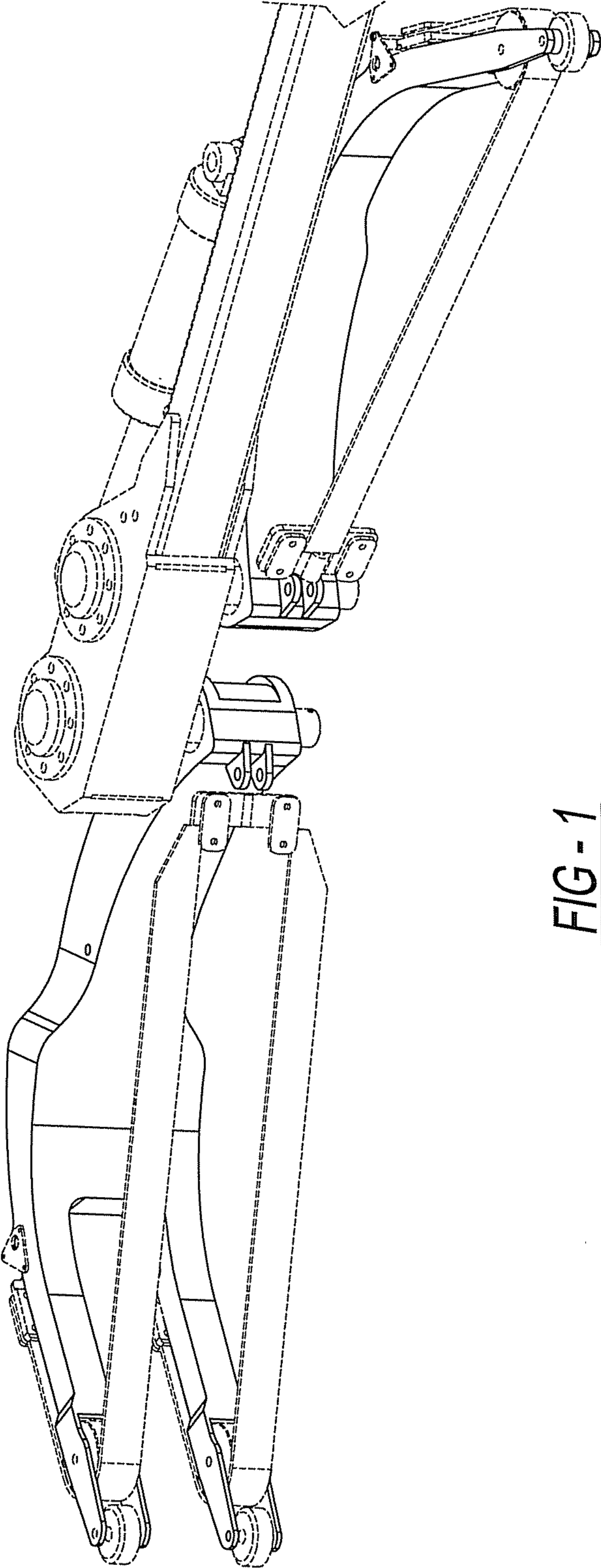


FIG - 1

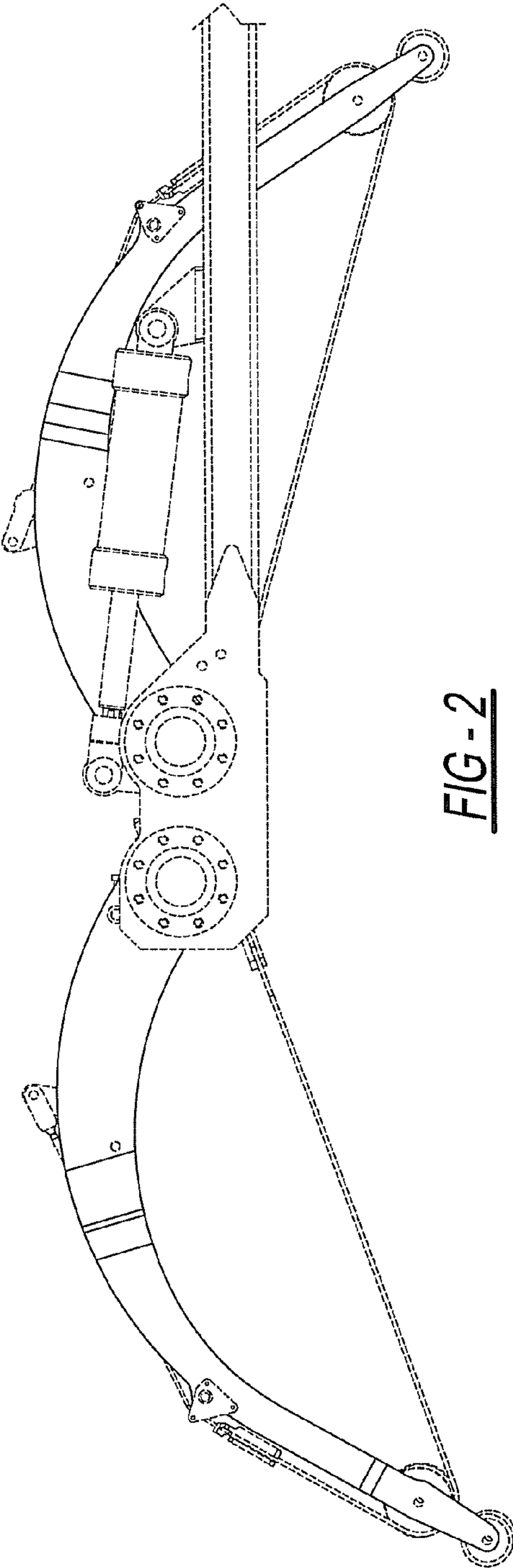


FIG - 2

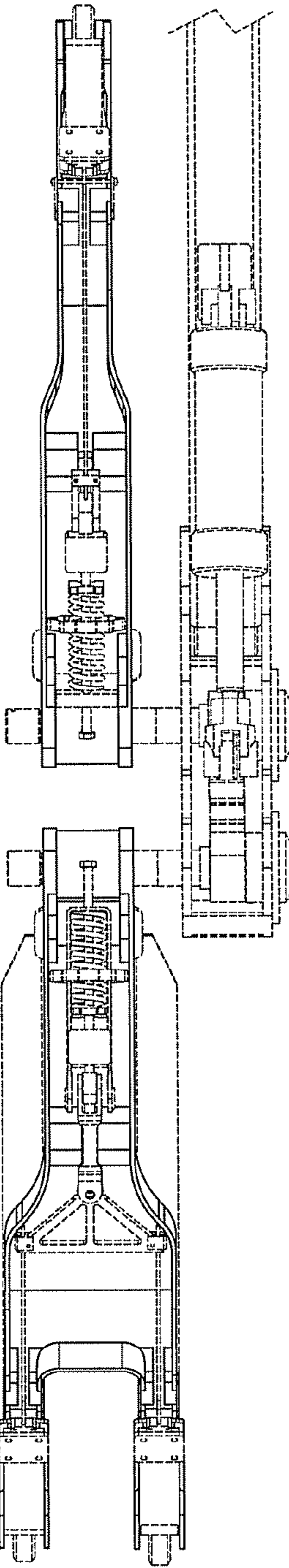


FIG - 3

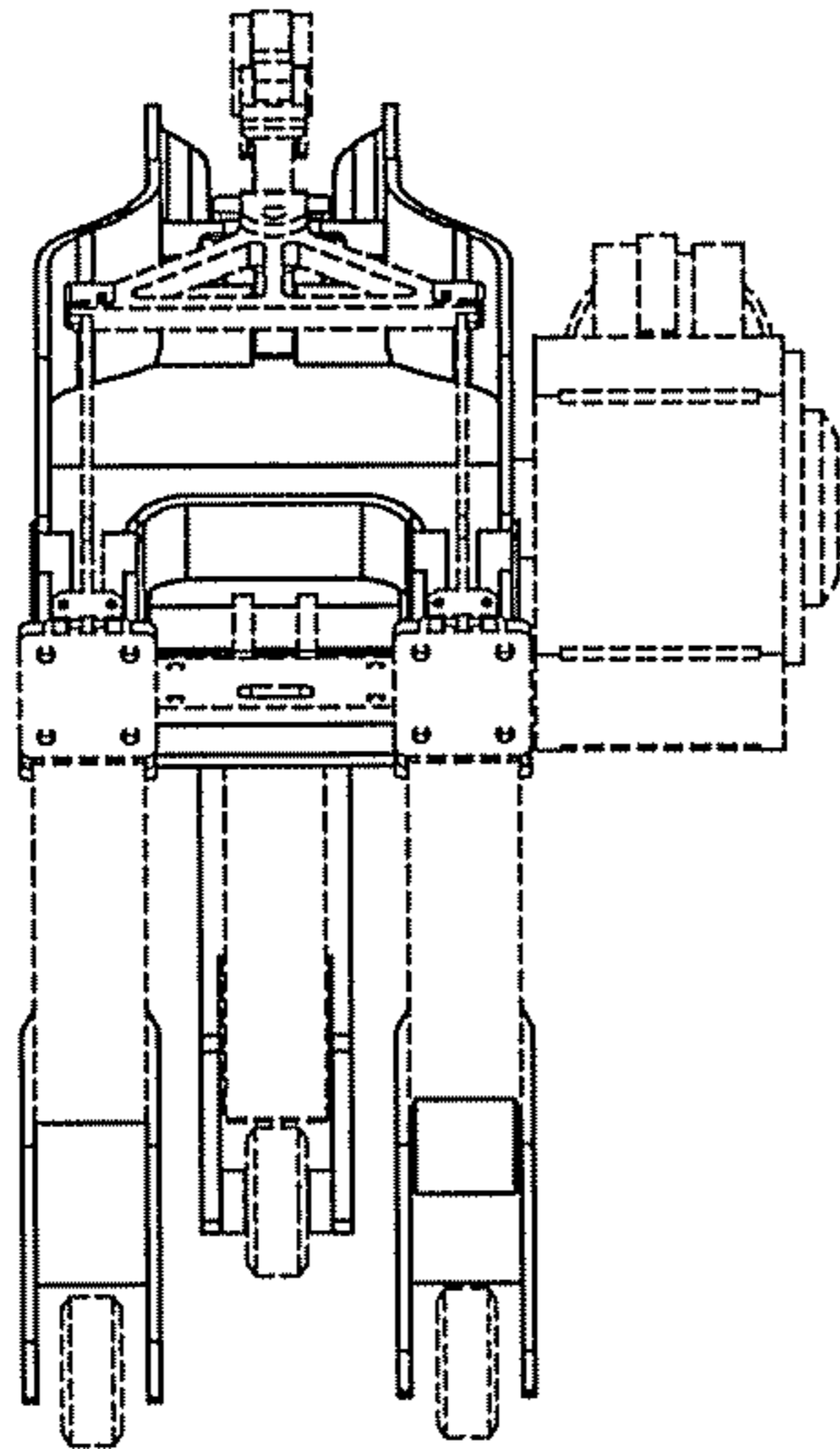


FIG - 4

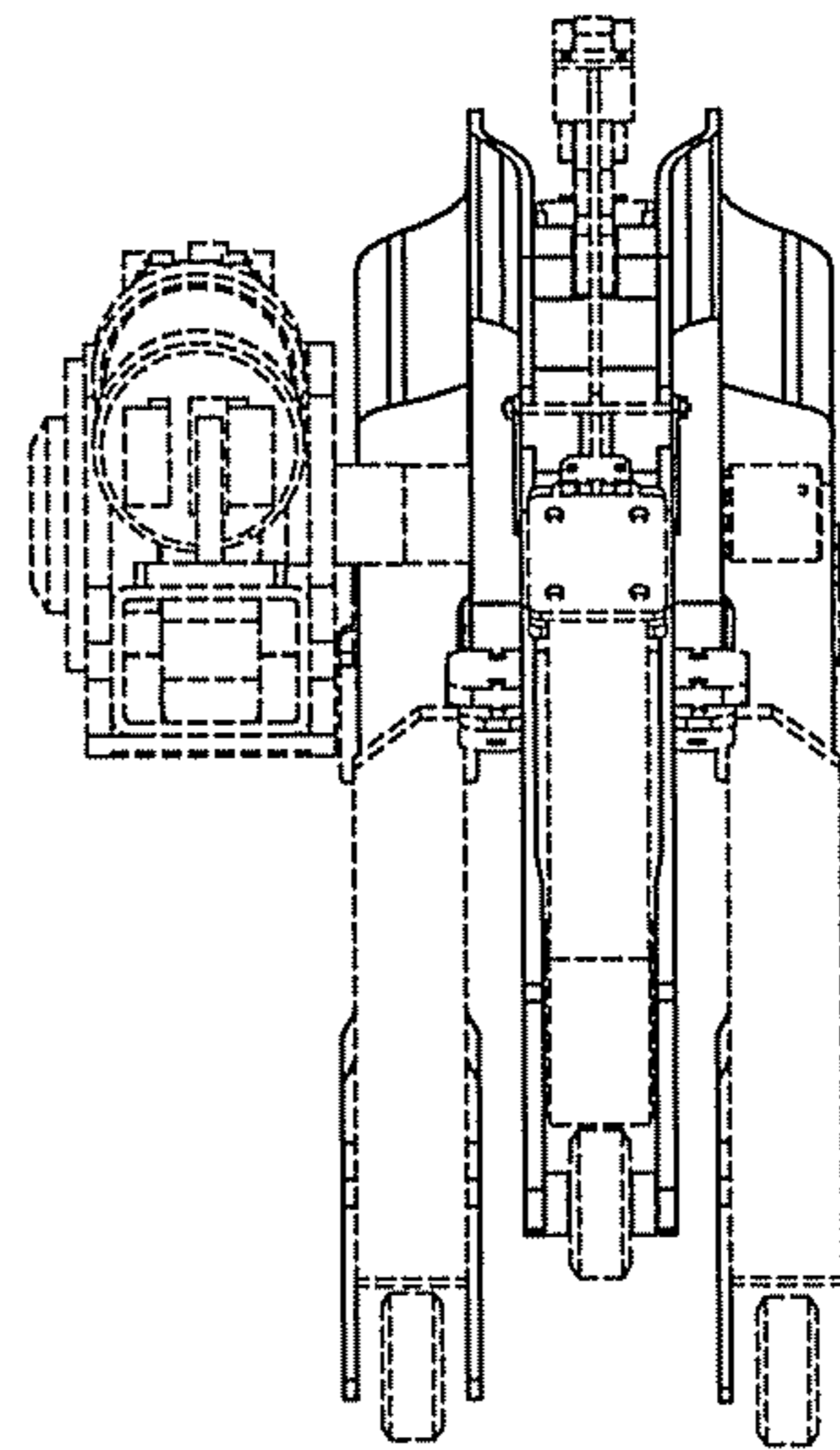


FIG - 5

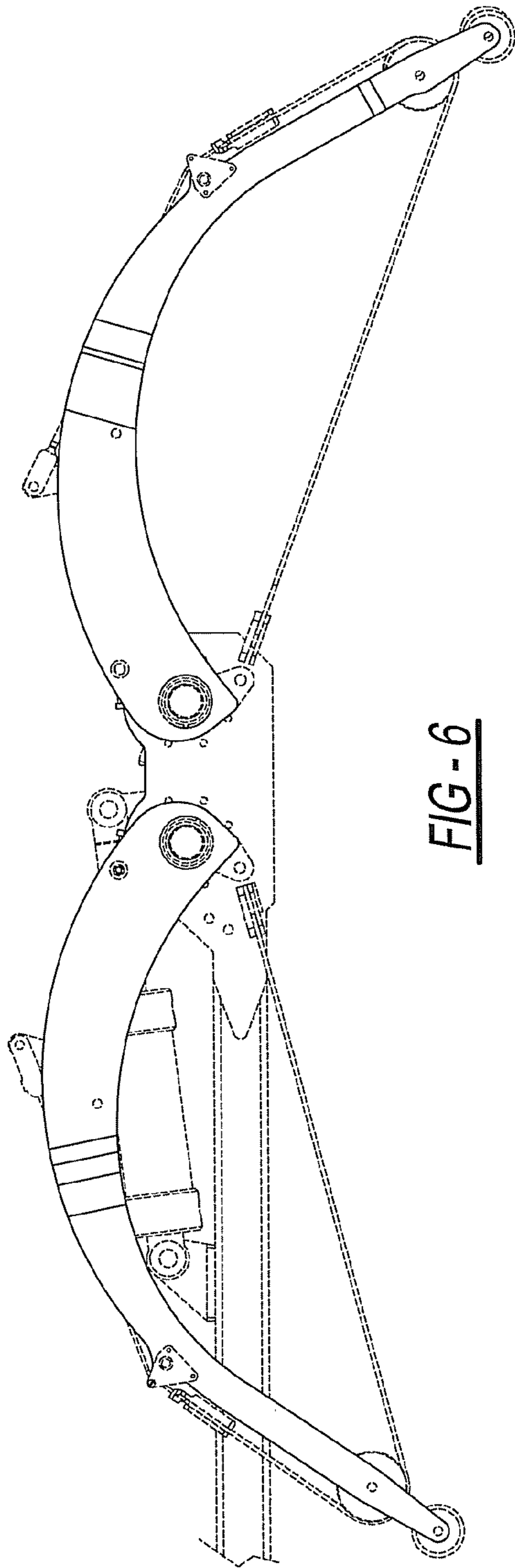


FIG-6

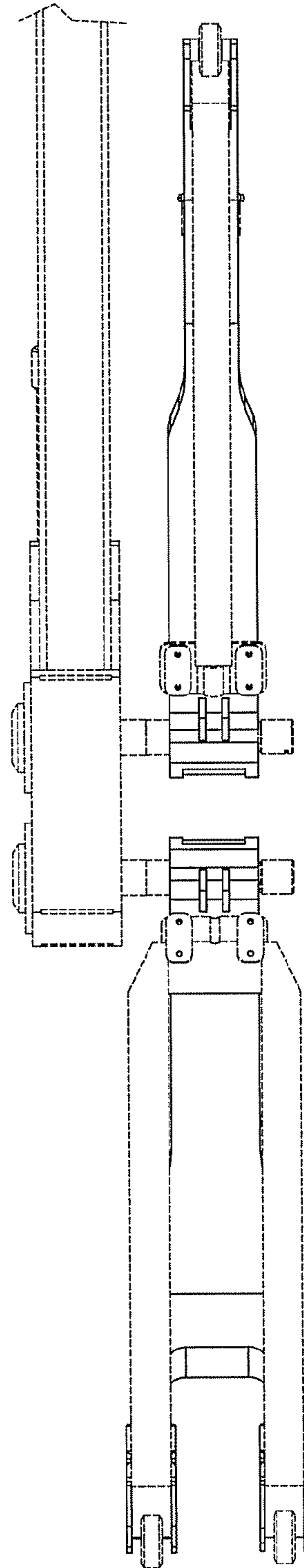


FIG-7

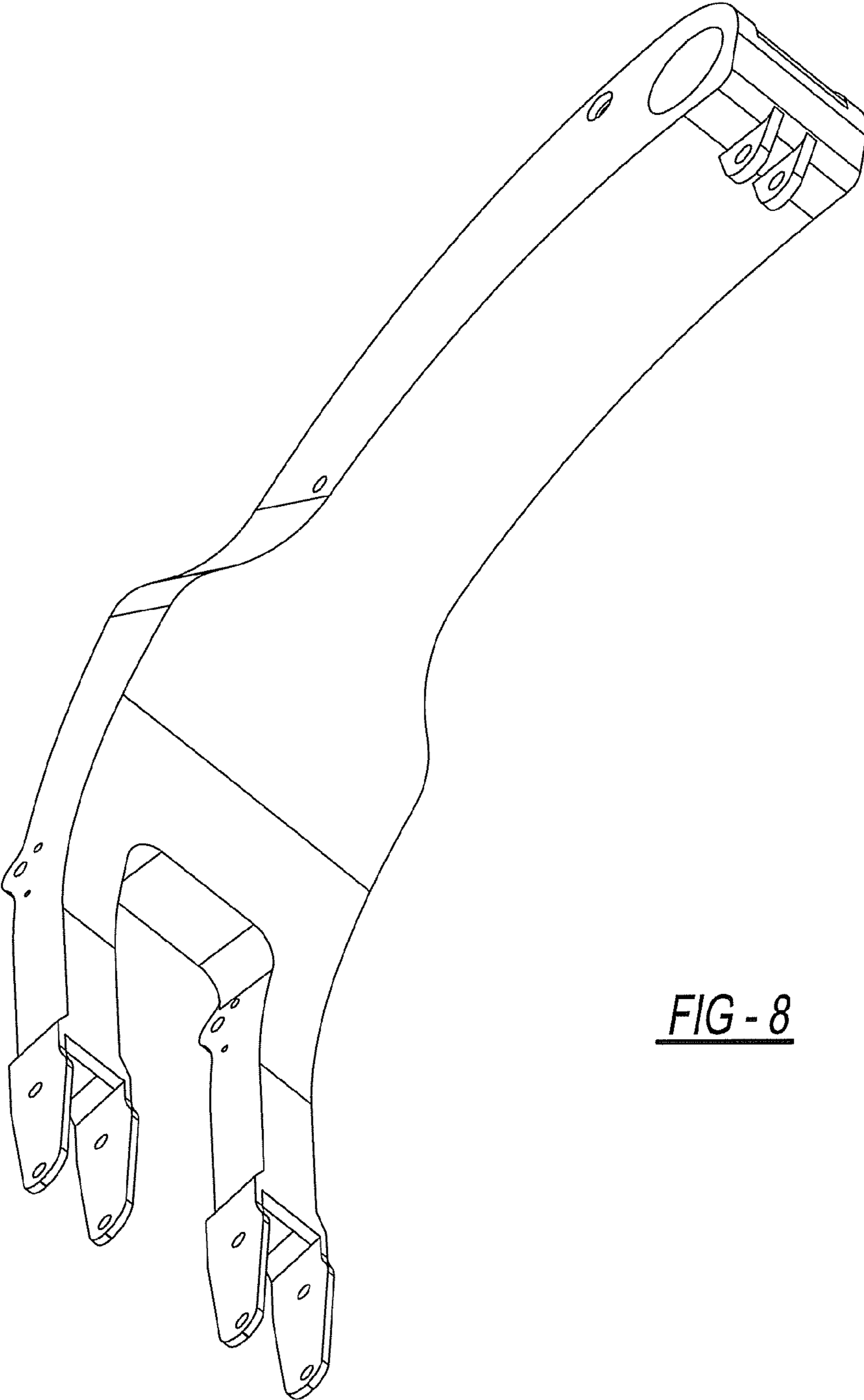
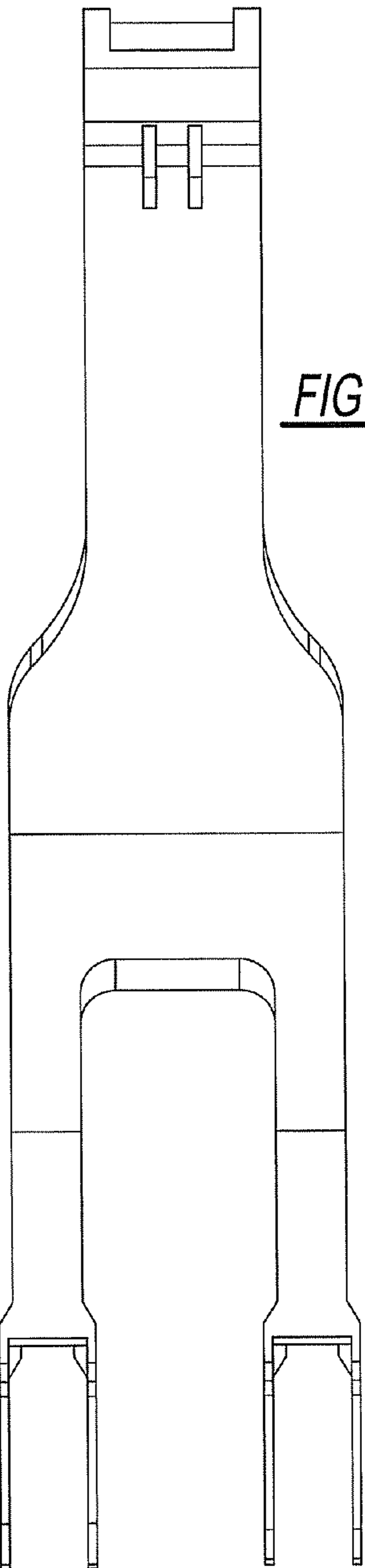
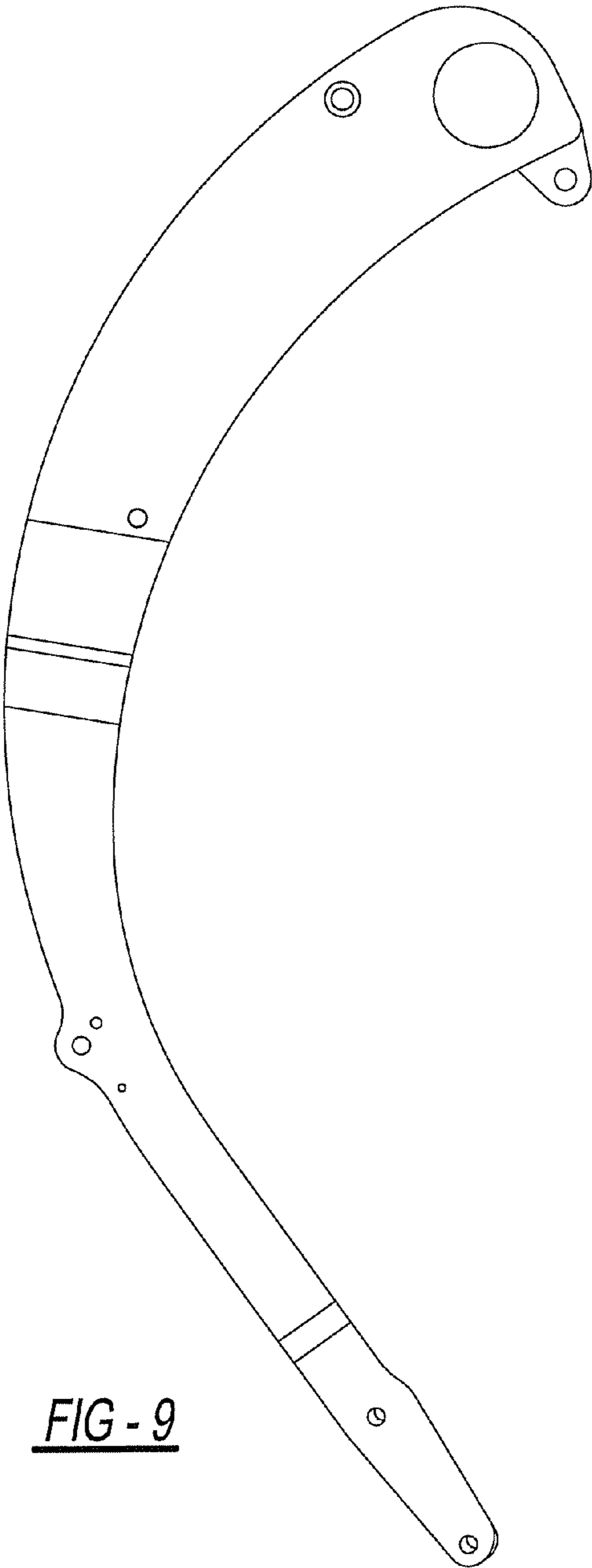
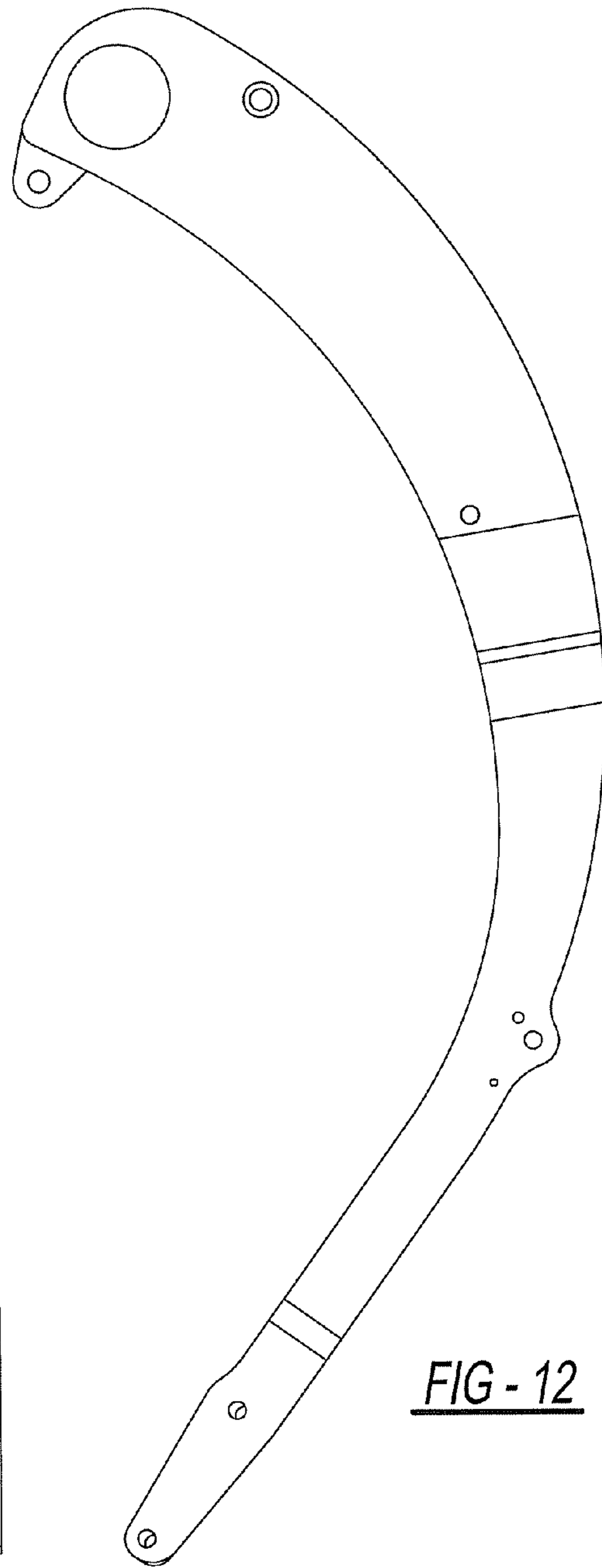
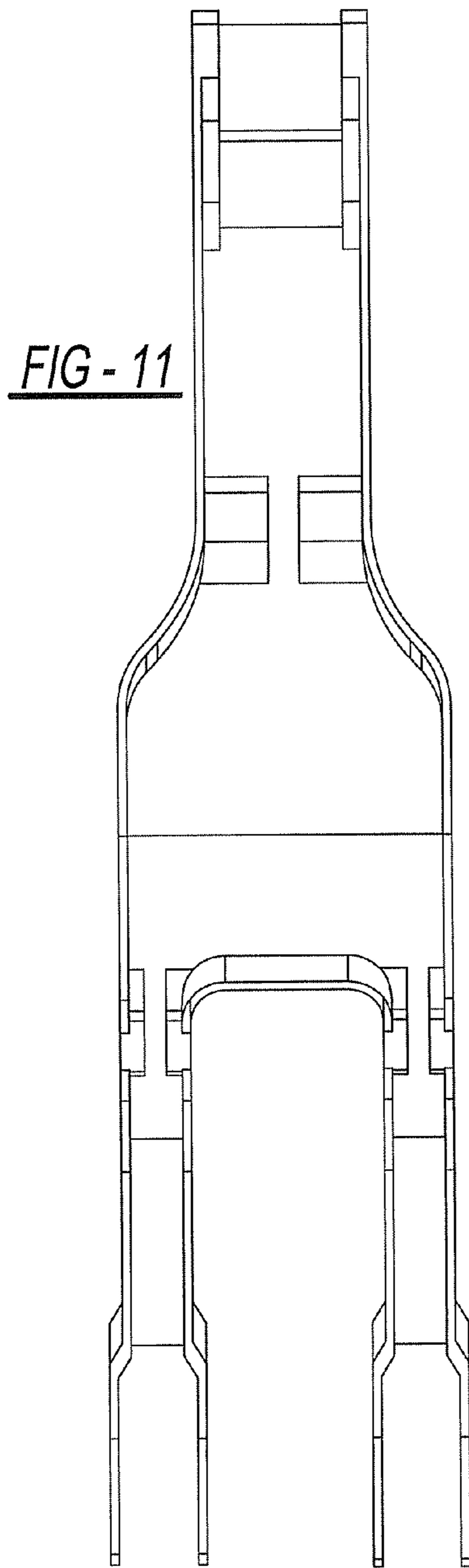


FIG - 8





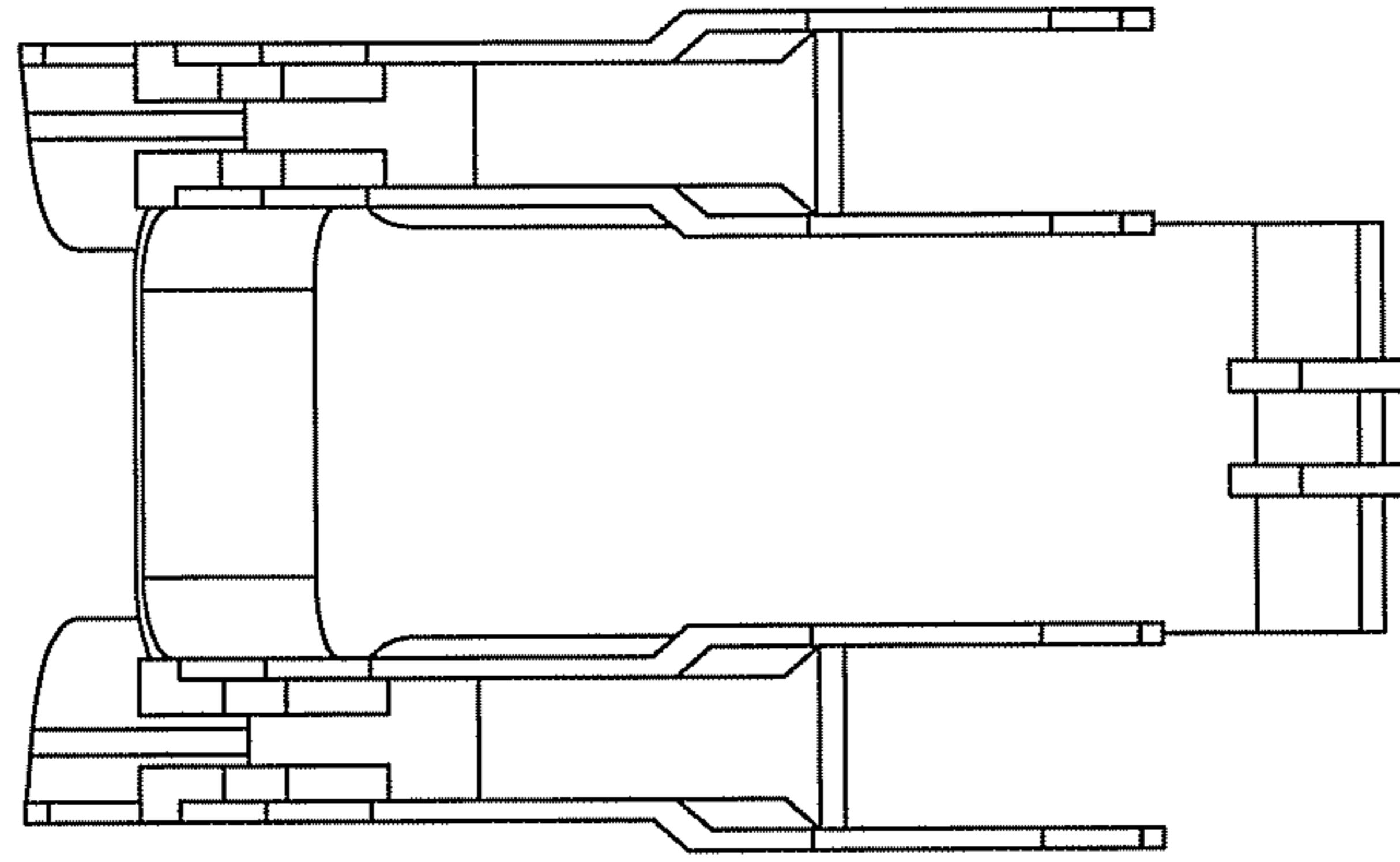


FIG - 13

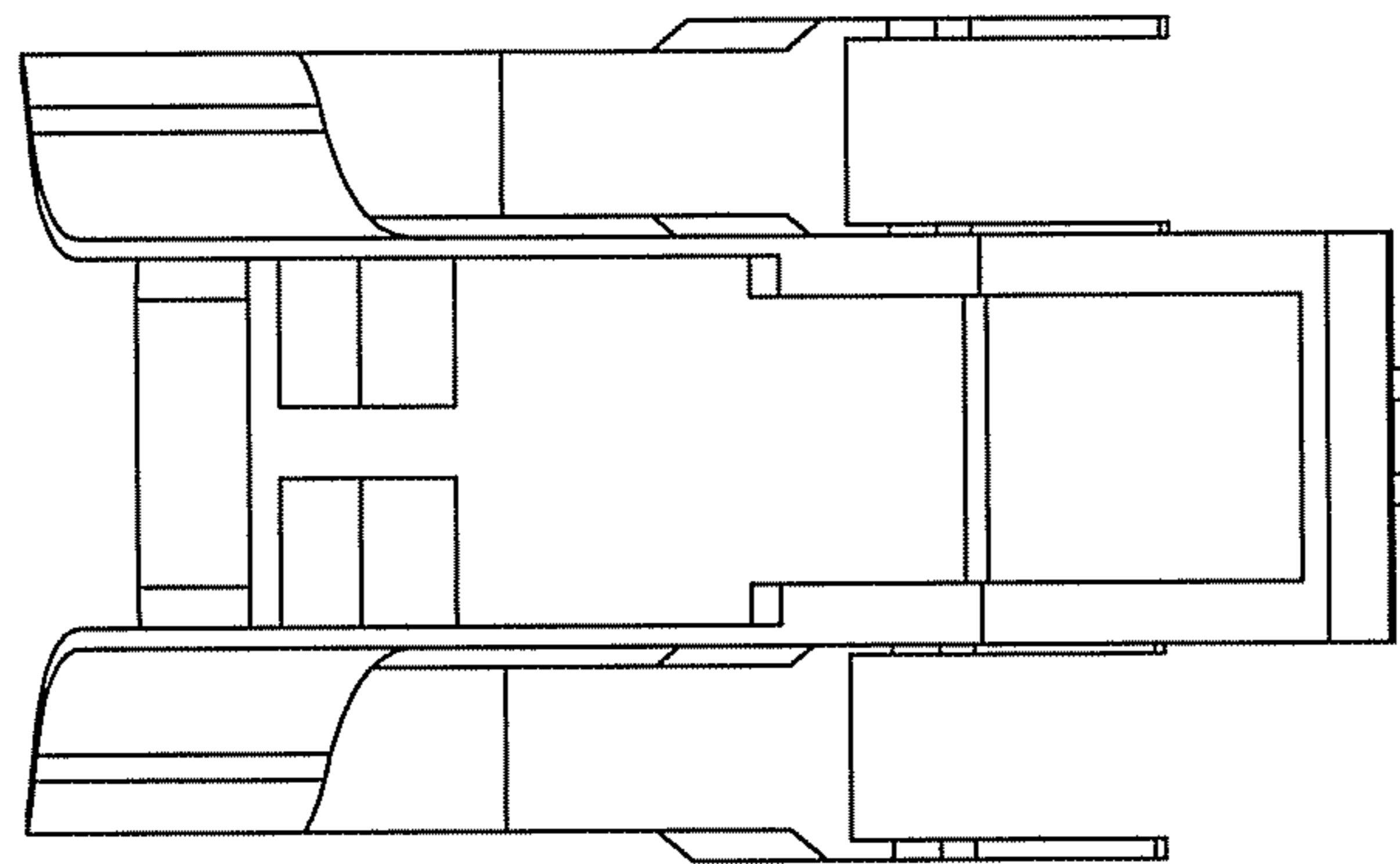


FIG - 14

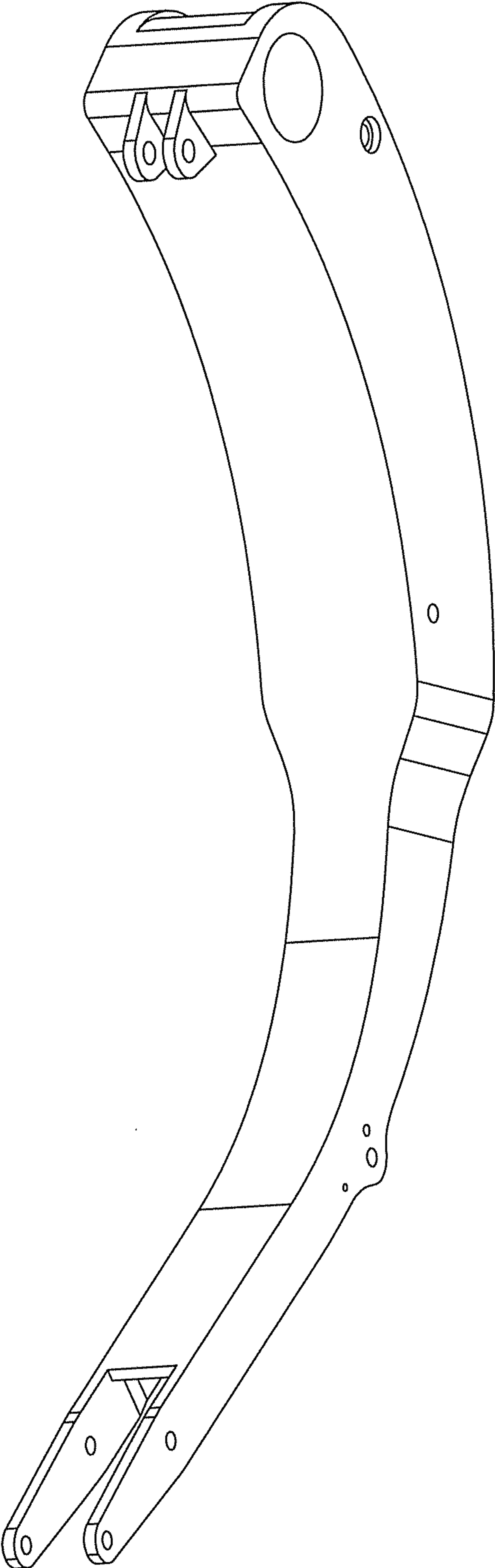
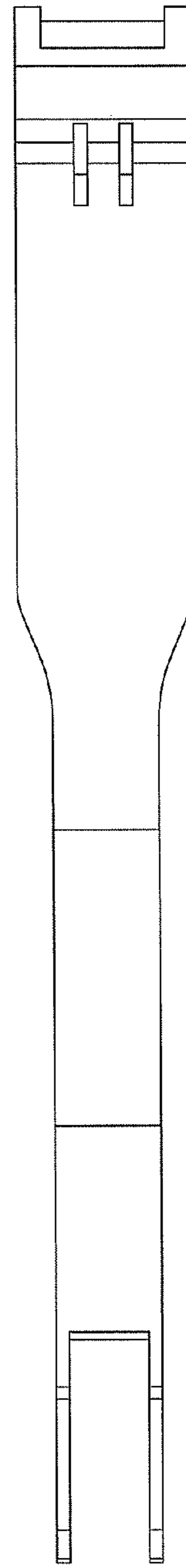
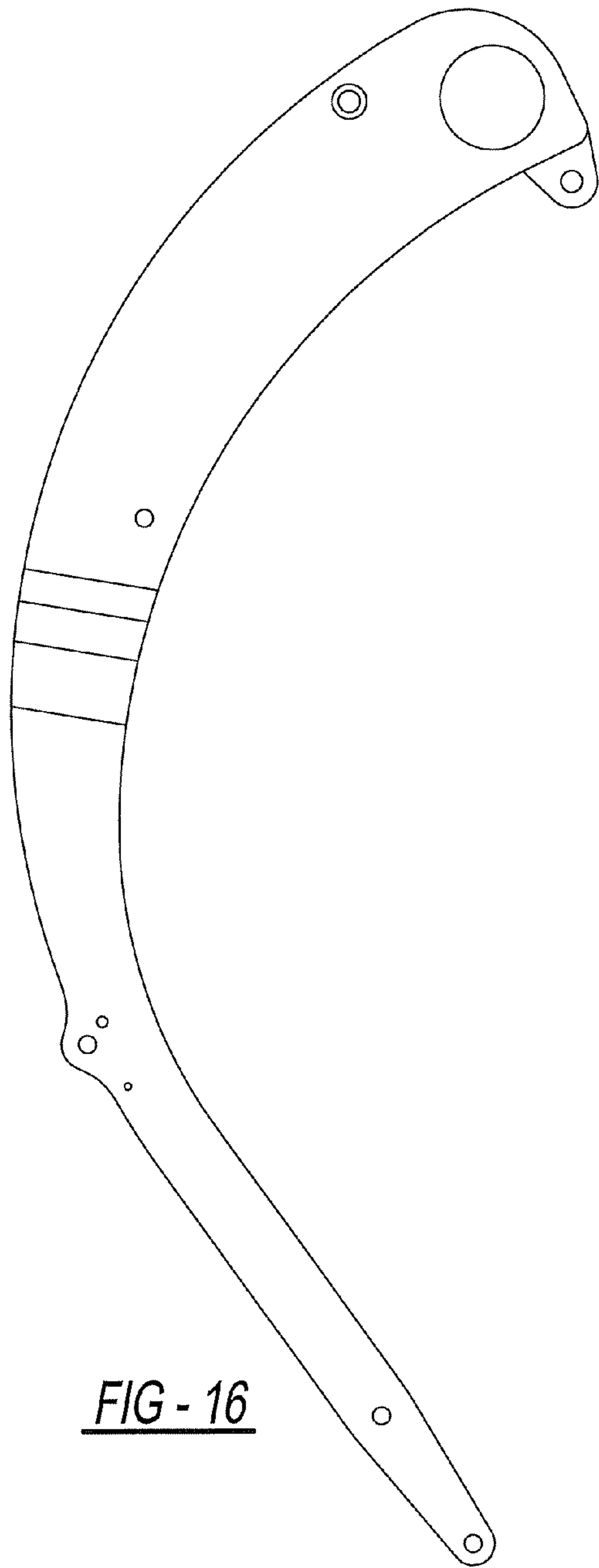


FIG - 15



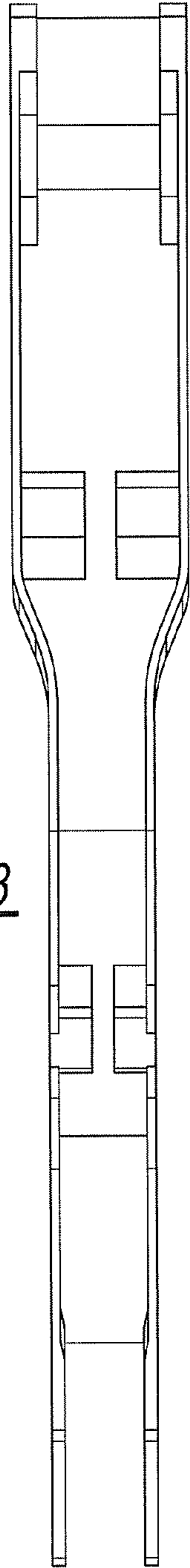


FIG - 18

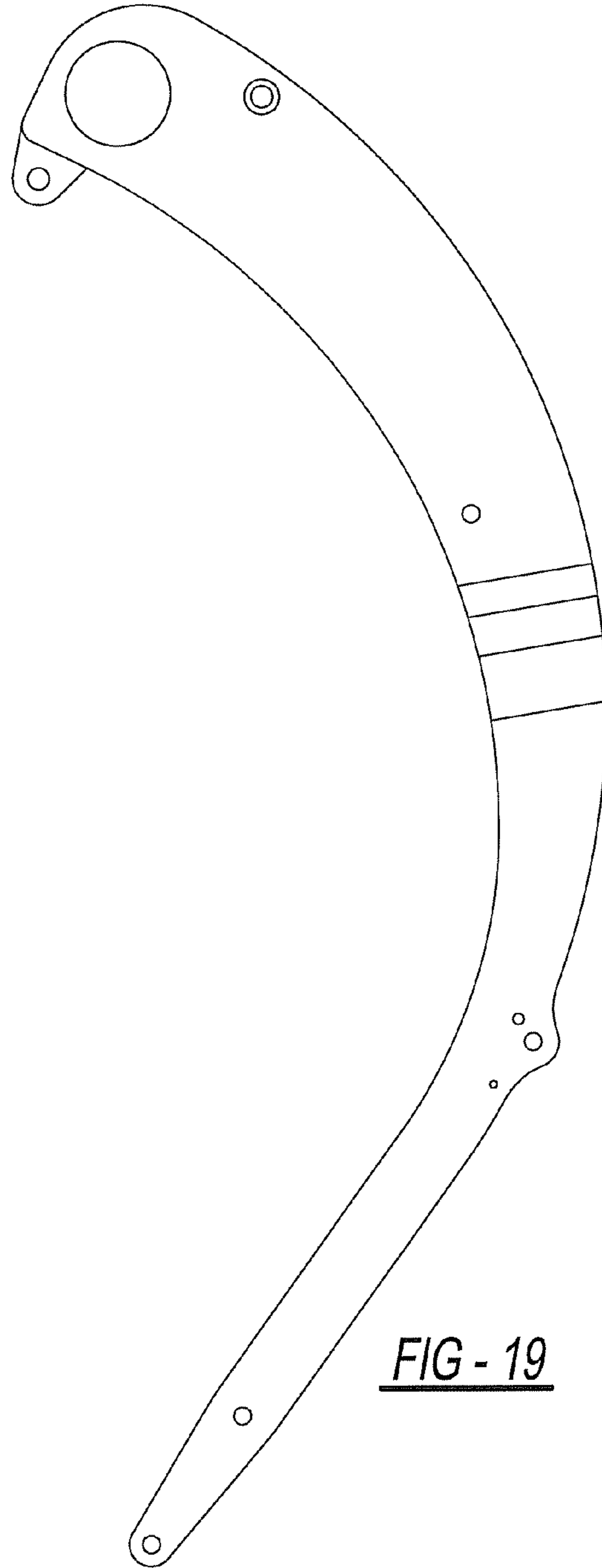


FIG - 19

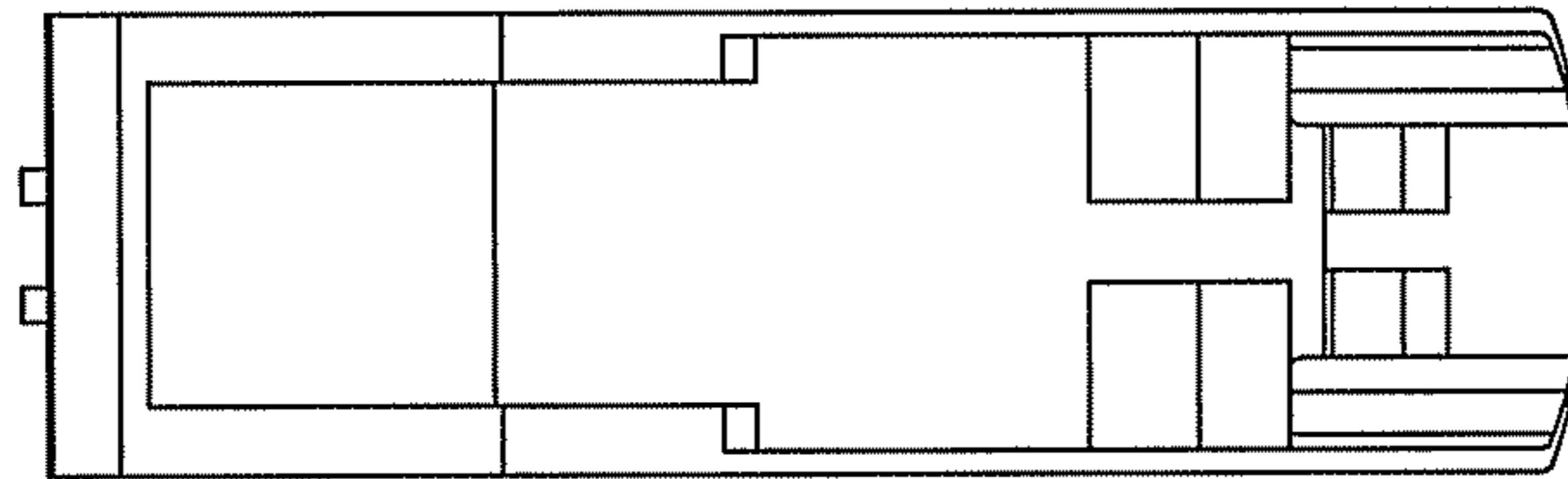


FIG - 20

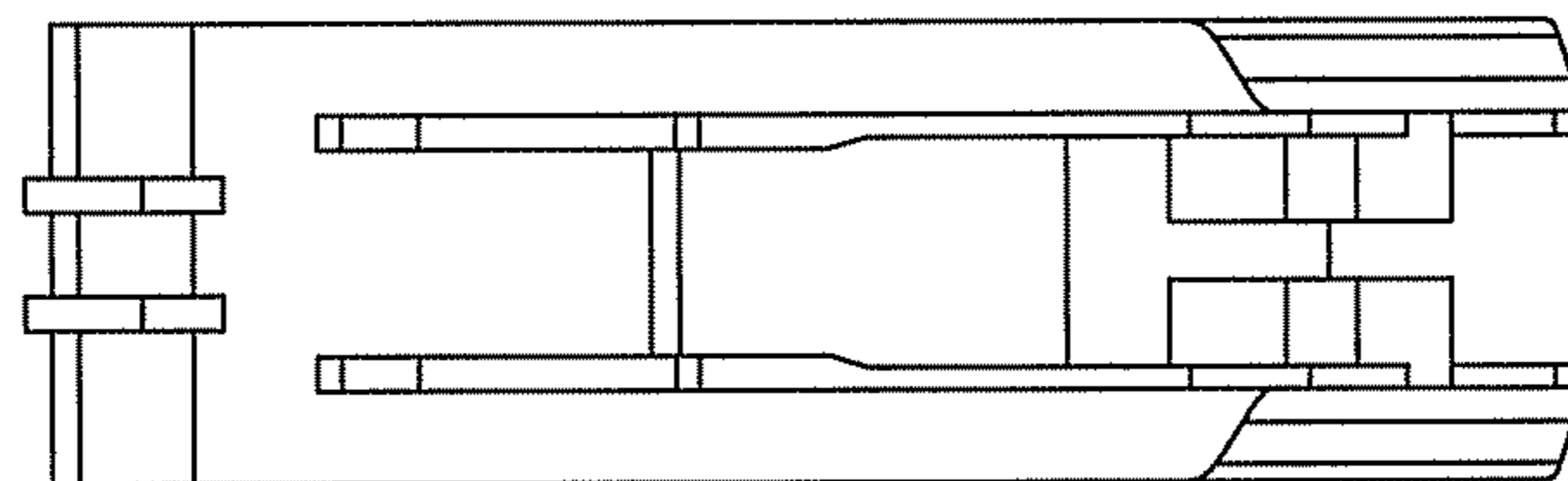


FIG - 21

UNITED STATES PATENT AND TRADEMARK OFFICE
CERTIFICATE OF CORRECTION

PATENT NO. : D685,974 S
APPLICATION NO. : 29/419561
DATED : July 9, 2013
INVENTOR(S) : Thomas L. Price et al.

Page 1 of 1

It is certified that error appears in the above-identified patent and that said Letters Patent is hereby corrected as shown below:

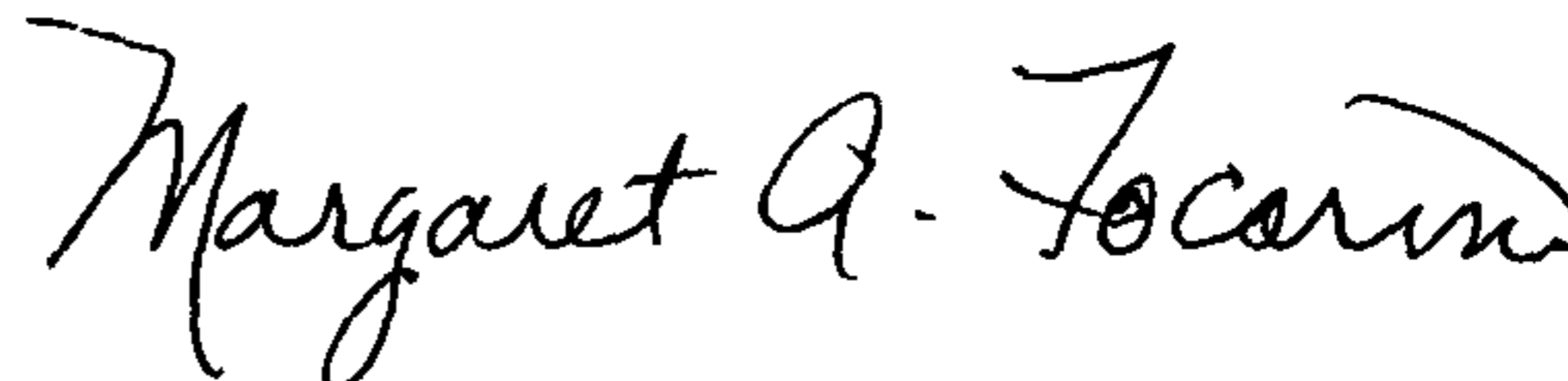
Title Page,

DESCRIPTION, Column 2, line 22
after "FIG. 15", delete "and"

Title Page 2,

Item [56] References Cited, U.S. PATENT DOCUMENTS
"5,833,429 11/1998 McNeilus et al." should be
--5,833,429 10/1998 McNeilus et al.--

Signed and Sealed this
Seventeenth Day of December, 2013



Margaret A. Focarino
Commissioner for Patents of the United States Patent and Trademark Office