



US00D685971S

(12) **United States Design Patent**
Thibault

(10) **Patent No.:** **US D685,971 S**
(45) **Date of Patent:** **** Jul. 9, 2013**

(54) **SPRAY BOTTLE CARRIER BUCKET INSERT**

(76) Inventor: **Richard R. Thibault**, Clinton Township, MI (US)

(**) Term: **14 Years**

(21) Appl. No.: **29/419,096**

(22) Filed: **Apr. 25, 2012**

(51) **LOC (9) Cl.** **07-07**

(52) **U.S. Cl.**
USPC **D32/54**

(58) **Field of Classification Search**
USPC . D32/53-54; D3/201, 315, 319; 15/260-264;
220/904; 248/538, 539; 206/139, 174
See application file for complete search history.

(56) **References Cited**

U.S. PATENT DOCUMENTS

861,422	A	2/1869	Larimore
160,339	A	3/1875	Ladd
2,294,151	A	8/1942	Wooten
2,920,804	A	1/1960	Minton
3,359,228	A	12/1967	Nichols
D232,341	S	8/1974	Mudde
3,951,259	A	4/1976	Oglesbee
3,966,102	A	6/1976	Clark
4,003,491	A	1/1977	Wells
4,798,307	A	1/1989	Evrard
4,819,793	A	4/1989	Willard
4,852,730	A	8/1989	Thykeson
4,901,846	A	2/1990	Lehman
5,035,321	A	7/1991	Denton

5,271,520	A	12/1993	McAfee	
D357,100	S	* 4/1995	Ostruh D32/54
D376,298	S	12/1996	Rapaz	
D399,394	S	10/1998	Rapaz	
5,836,446	A	11/1998	Varnom	
5,890,614	A	4/1999	Dancyger	
6,254,055	B1	7/2001	Lamberson, Jr.	

* cited by examiner

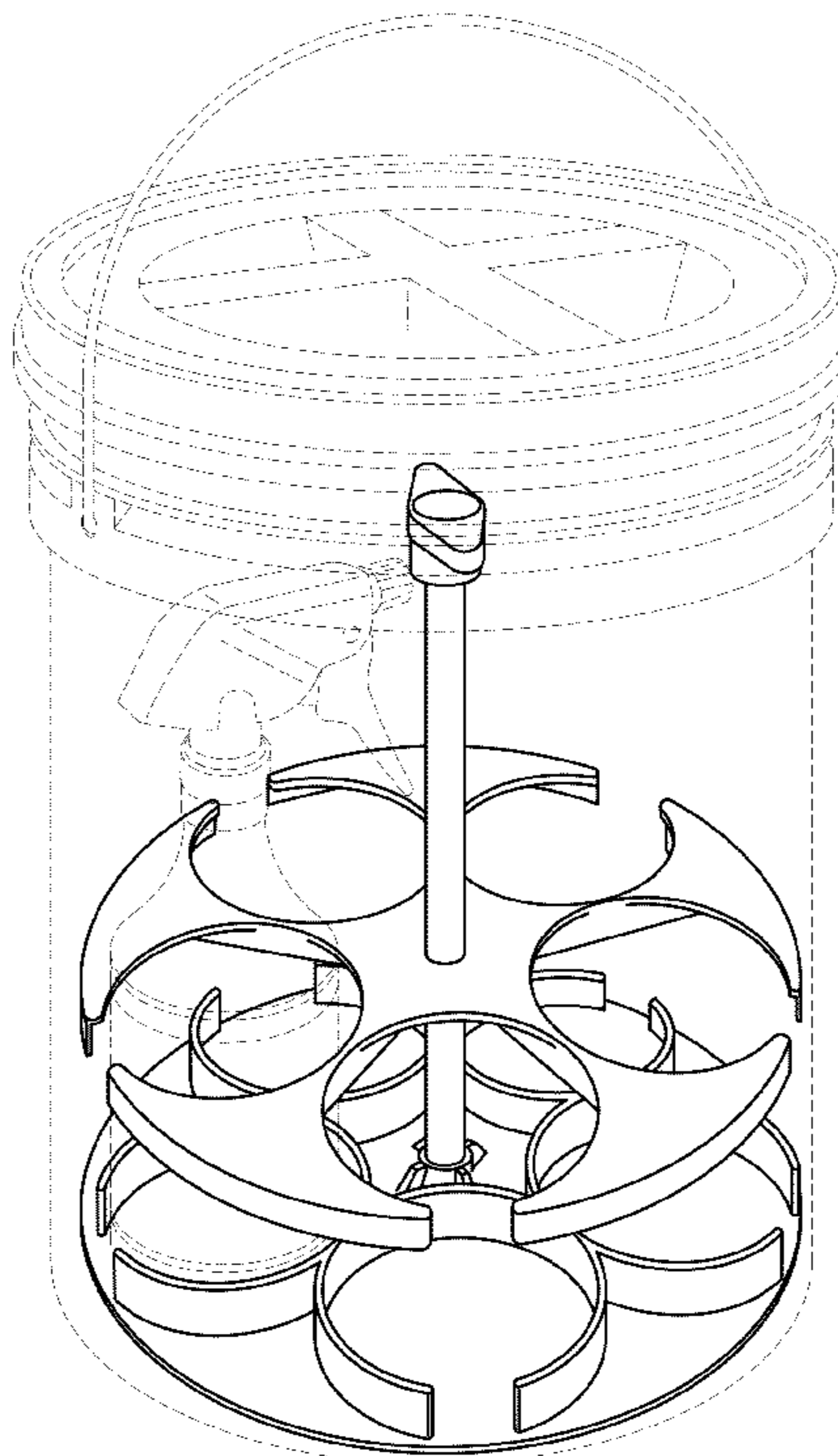
Primary Examiner — Robin V Webster
(74) *Attorney, Agent, or Firm* — The Dobrusin Law Firm, P.C.

(57) **CLAIM**
The ornamental design for a spray bottle carrier bucket insert, as shown and described.

DESCRIPTION

FIG. 1 is a top, perspective view of a spray bottle carrier bucket insert according to the invention; FIG. 2 is a top plan view of a spray bottle carrier bucket insert according to the invention; FIG. 3 is a front elevation view thereof; FIG. 4 is a side elevation view thereof; FIG. 5 is a bottom view thereof; FIG. 6 is a top perspective view thereof with a spray bottle in hyphenated lines; and, FIG. 7 is a perspective view thereof with a spray bottle and five gallon bucket in hyphenated lines. The broken line showing of a spray bottle and bucket is included for the purpose of illustrating and forms no part of the claimed design.

1 Claim, 4 Drawing Sheets



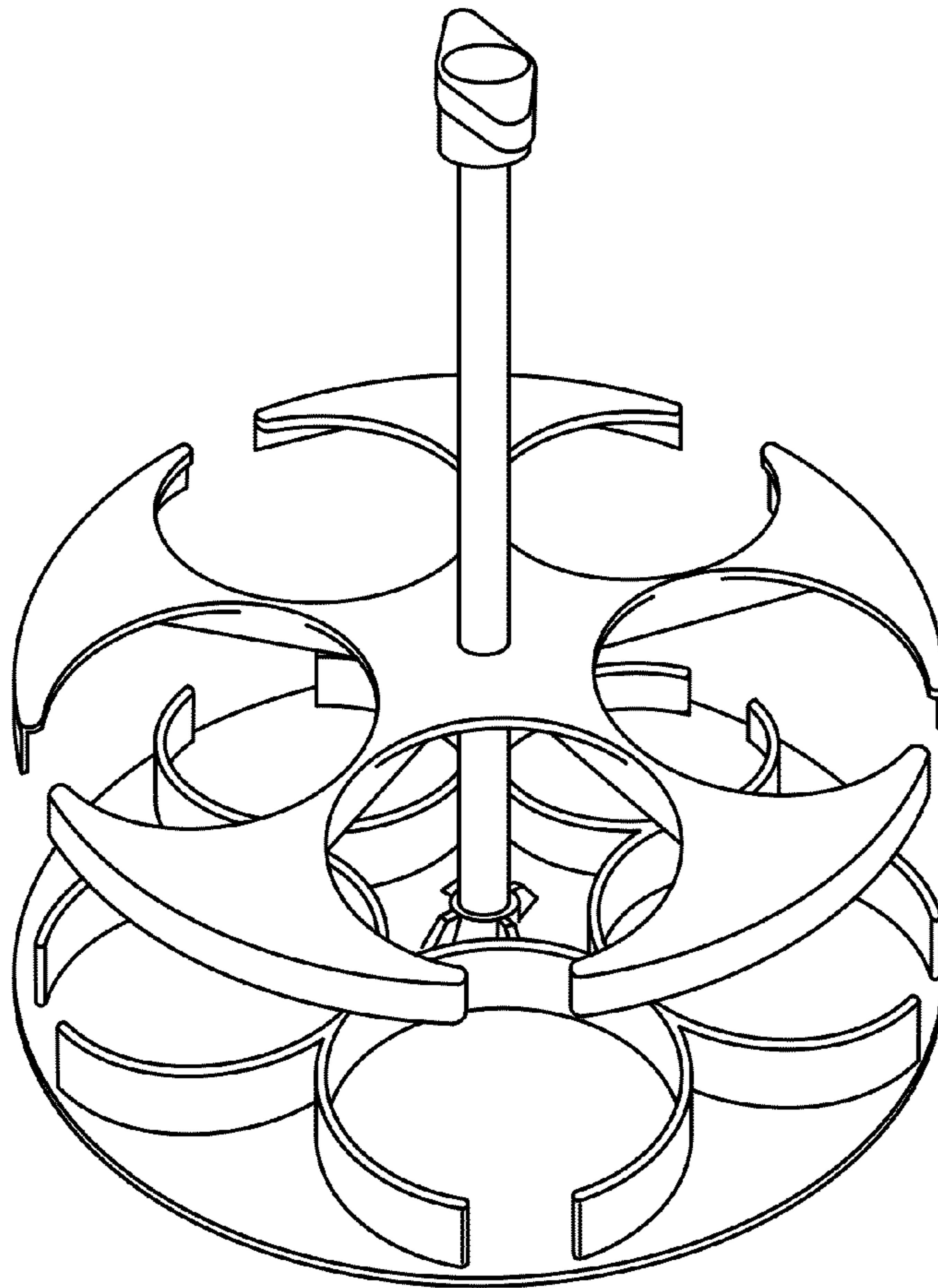


FIG - 1

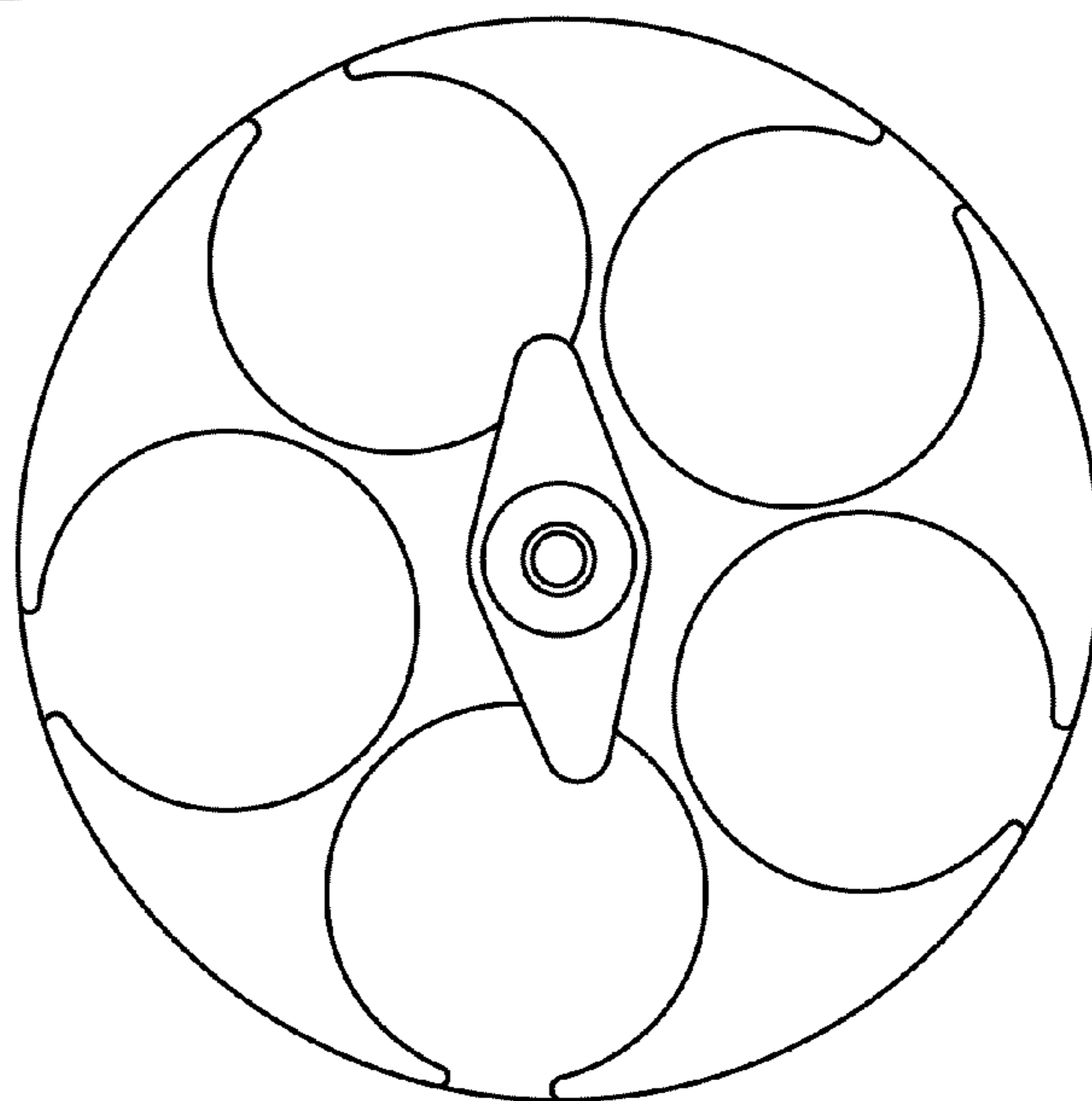


FIG - 2

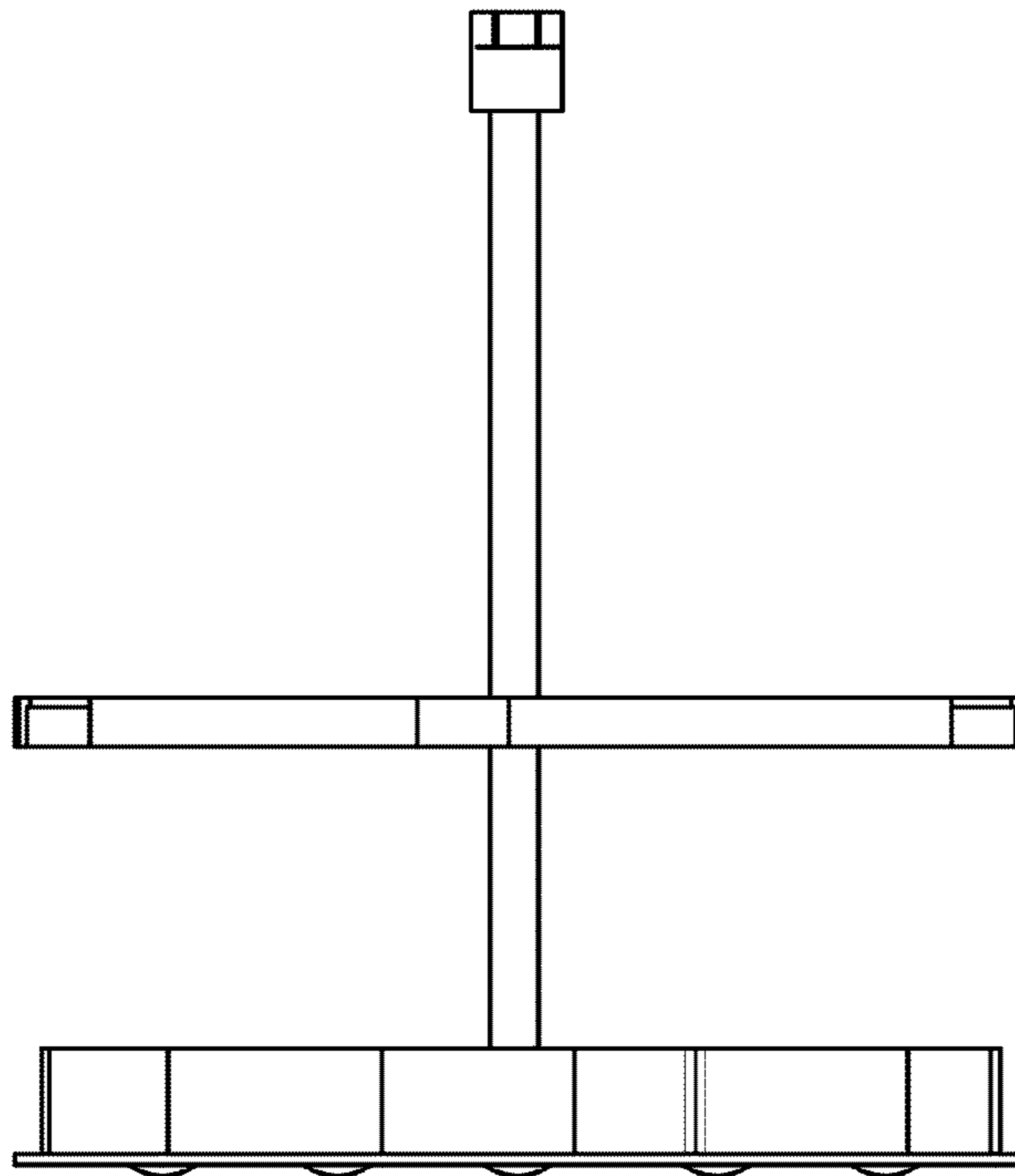
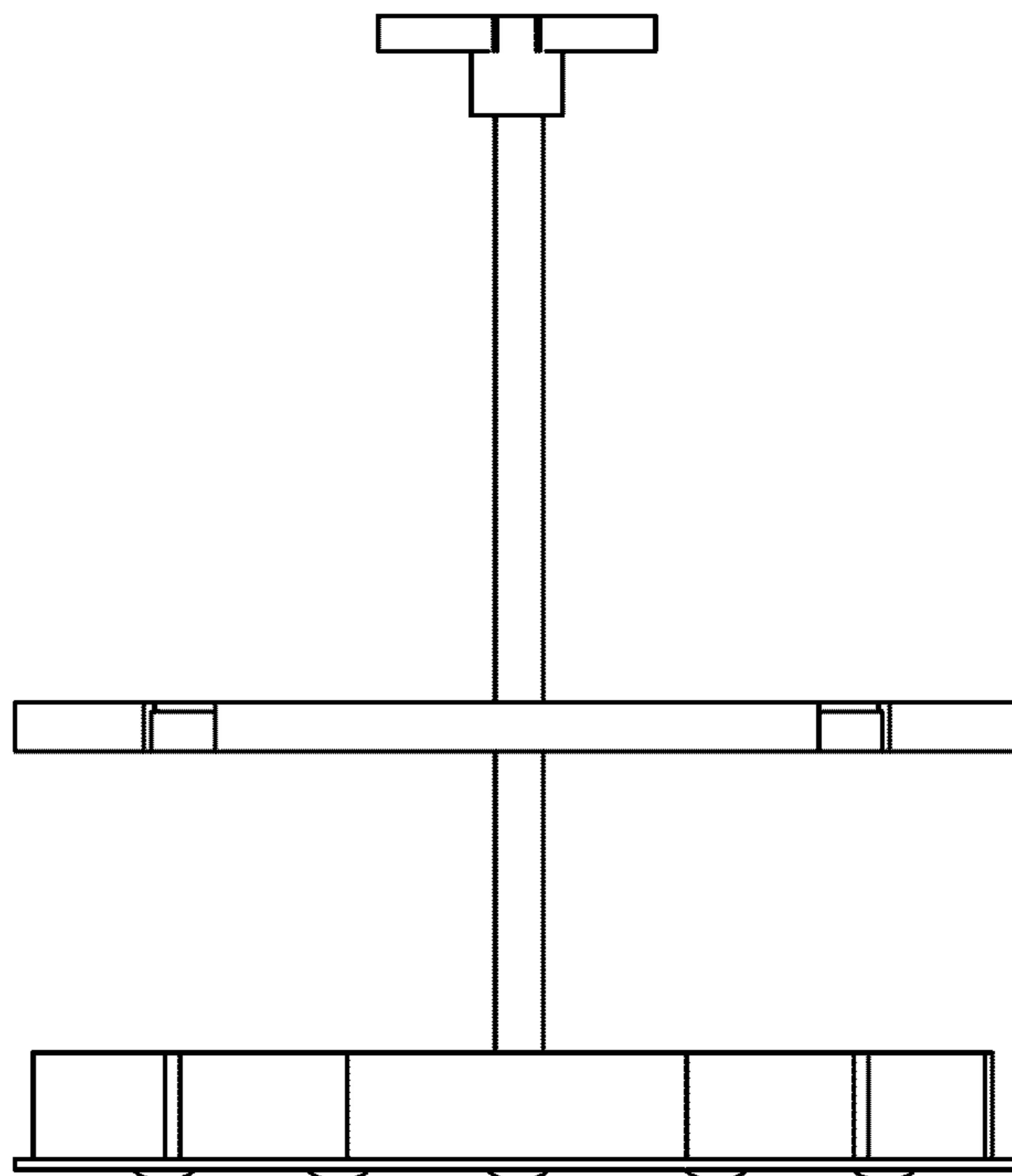


FIG - 3

FIG - 4



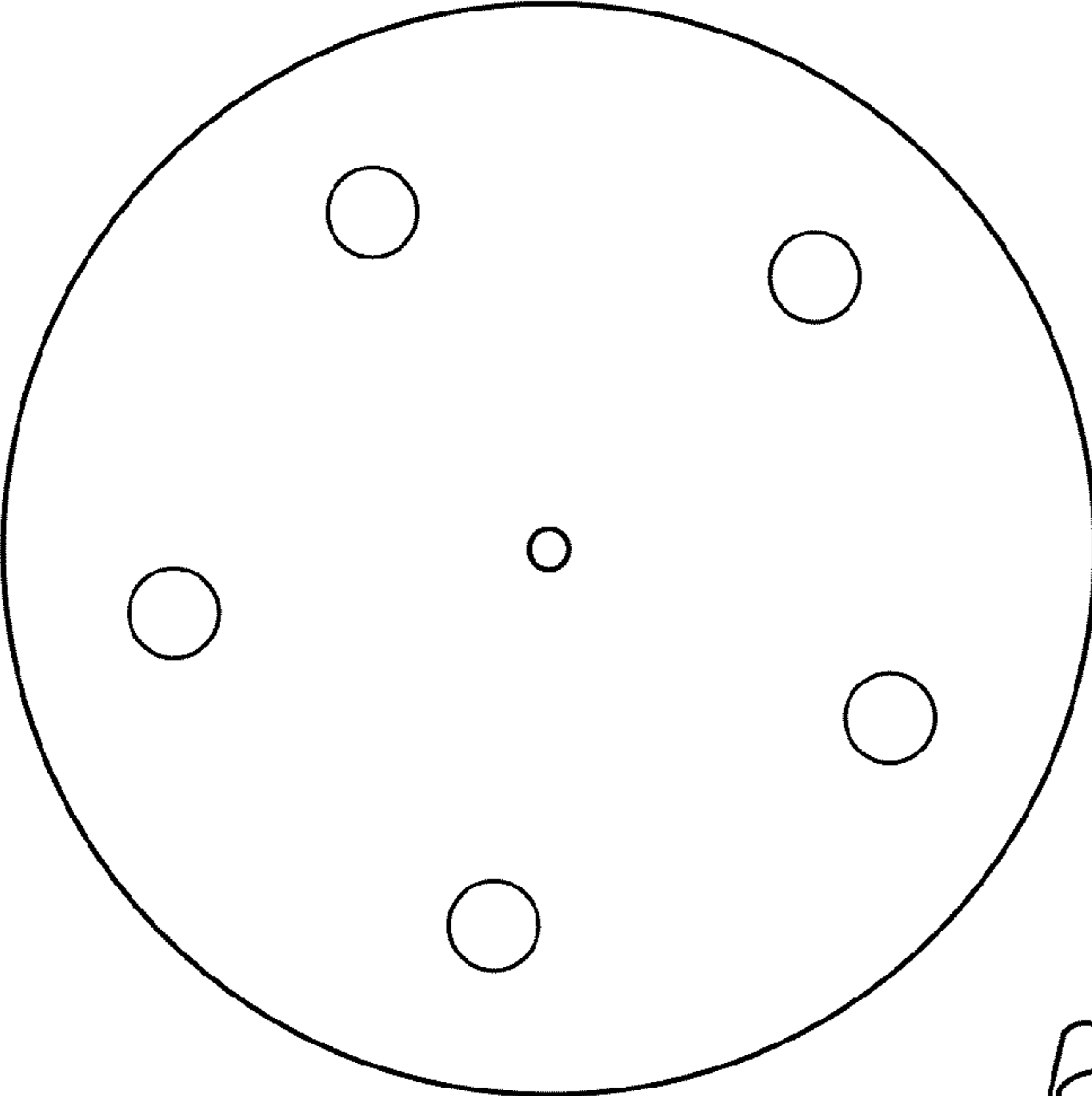


FIG - 5

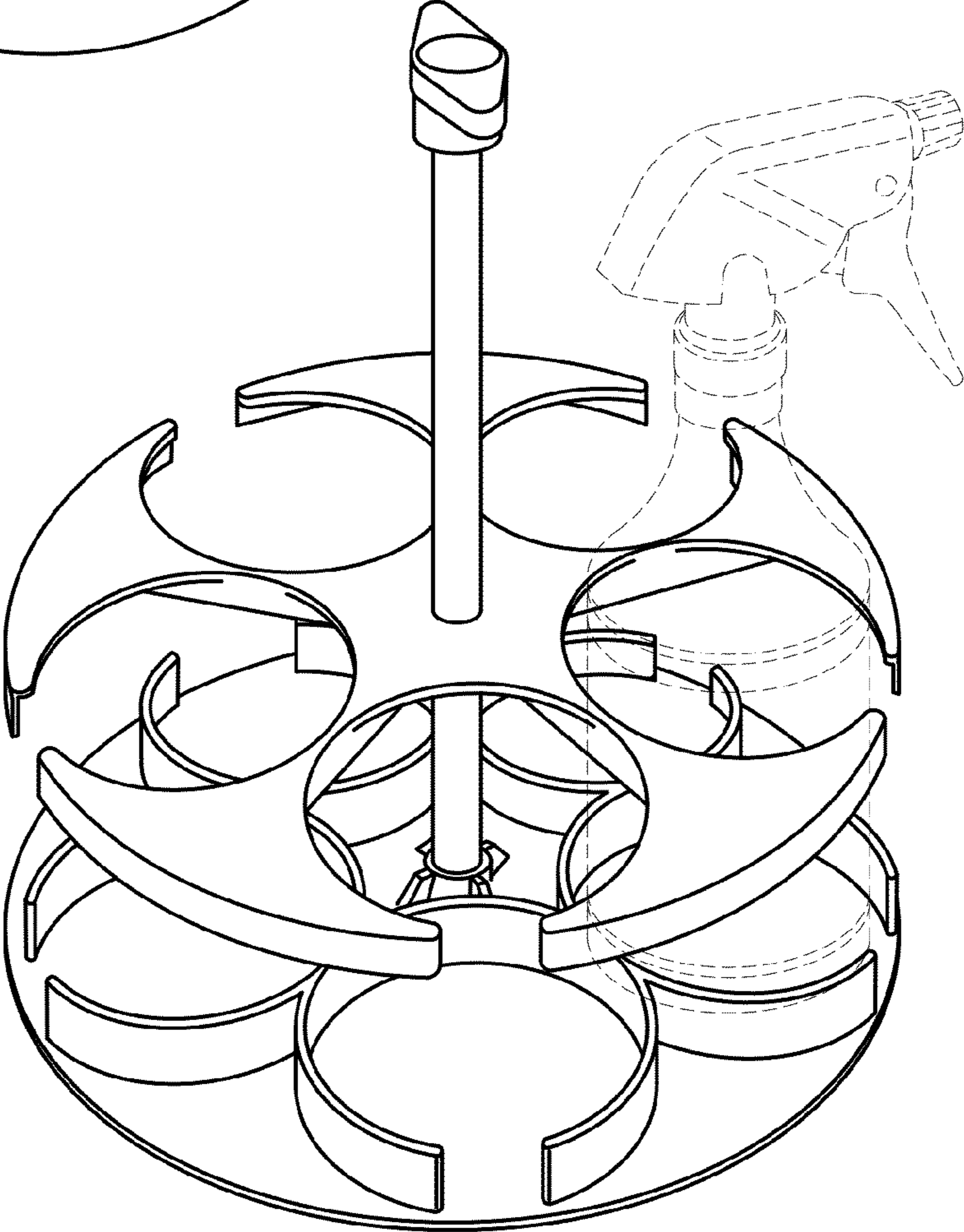


FIG - 6

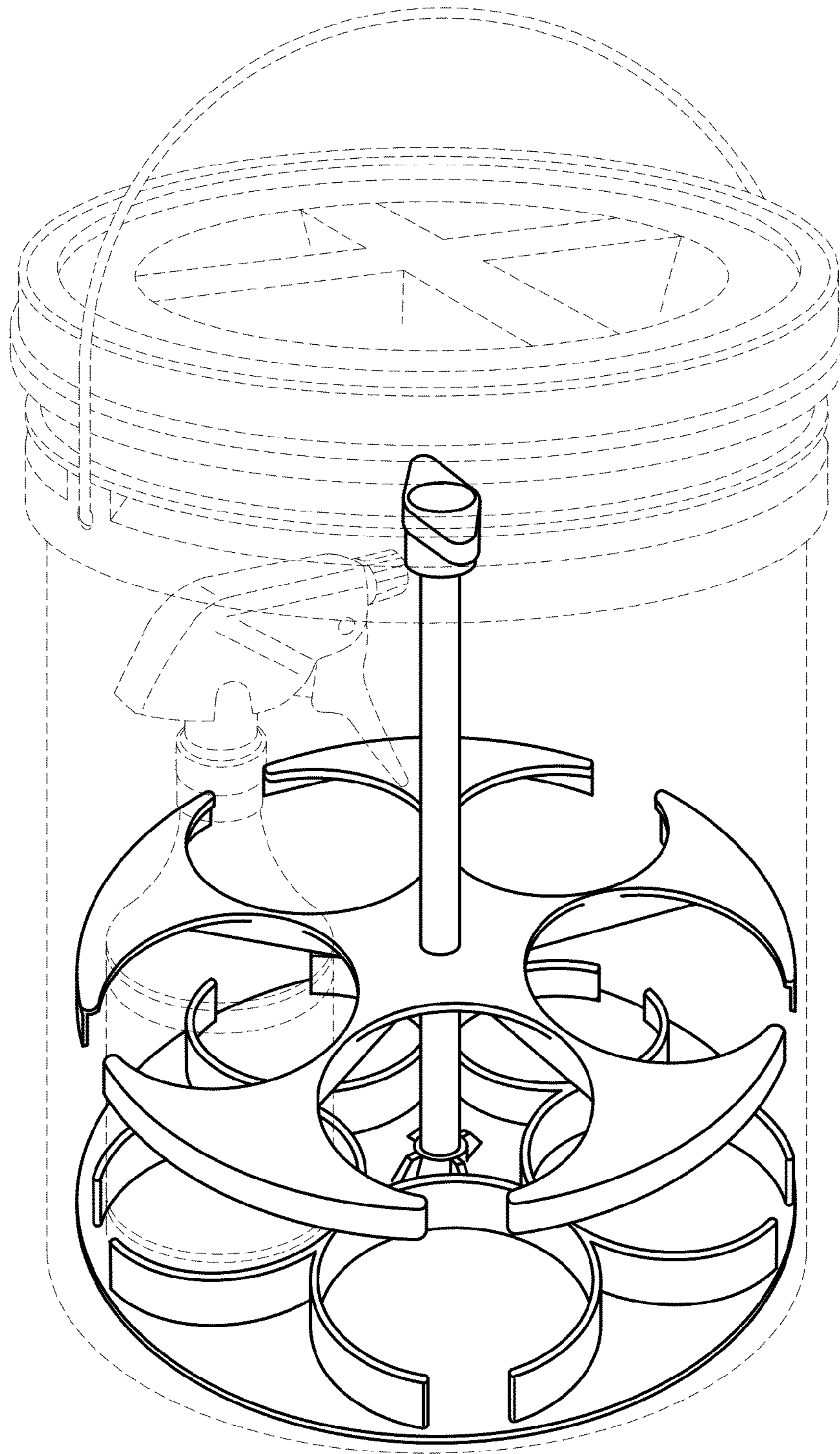


FIG - 7