



US00D685970S

(12) **United States Design Patent**
Williams et al.

(10) **Patent No.:** **US D685,970 S**
(45) **Date of Patent:** **** Jul. 9, 2013**

(54) **HANDLE**

(75) Inventors: **Neil P. Williams**, Racine, WI (US);
Steven A. Zach, Waterford, WI (US);
Kristian Buschmann, Chicago, IL (US);
Bridget M. Soldan, Lisle, IL (US)

(73) Assignee: **S.C. Johnson & Son, Inc.**, Racine, WI (US)

(**) Term: **14 Years**

(21) Appl. No.: **29/408,607**

(22) Filed: **Dec. 14, 2011**

(51) **LOC (9) Cl.** **04-01**

(52) **U.S. Cl.**
USPC **D32/51; D32/52**

(58) **Field of Classification Search**
USPC D32/50-52, 40, 44, 45; 473/301,
473/302; 15/143.1, 119.2, 120.1, 120.2, 116.1,
15/116.2, 150, 209.1-210.1; 401/137-140
See application file for complete search history.

(56) **References Cited**

U.S. PATENT DOCUMENTS

D394,353 S	5/1998	Berti	
6,292,979 B1	9/2001	Kuo	
D449,909 S	10/2001	Randolph et al.	
D451,341 S	12/2001	Wentland et al.	
D451,343 S	12/2001	Wentland et al.	
D470,283 S	2/2003	Vosbikian	
6,595,713 B1	7/2003	Wilson	
D483,186 S *	12/2003	Libman et al.	D4/138
D483,630 S *	12/2003	Choi	D8/10
D495,498 S	9/2004	Berti	
D500,927 S	1/2005	Hay	
6,854,919 B2	2/2005	Neumann et al.	
D503,540 S	4/2005	Barber	

(Continued)

FOREIGN PATENT DOCUMENTS

WO	2006011234	2/2006
WO	2007046252	4/2007
WO	2007066739	6/2007
WO	2010134593	11/2010

Primary Examiner — John Windmuller

(57) **CLAIM**

The ornamental design for a handle, substantially as shown and described.

DESCRIPTION

FIG. 1 is an isometric view of a handle according to the present invention, viewed from above, in front of, and from the left side of the handle;

FIG. 2 is a right side elevation view of the handle of FIG. 1;

FIG. 3 is a left side elevation view of the handle of FIG. 1;

FIG. 4 is front elevation view of the handle of FIG. 1;

FIG. 5 is a rear elevation view of the handle of FIG. 1;

FIG. 6 is a top plan view of the handle of FIG. 1;

FIG. 7 is a bottom plan of the handle of FIG. 1;

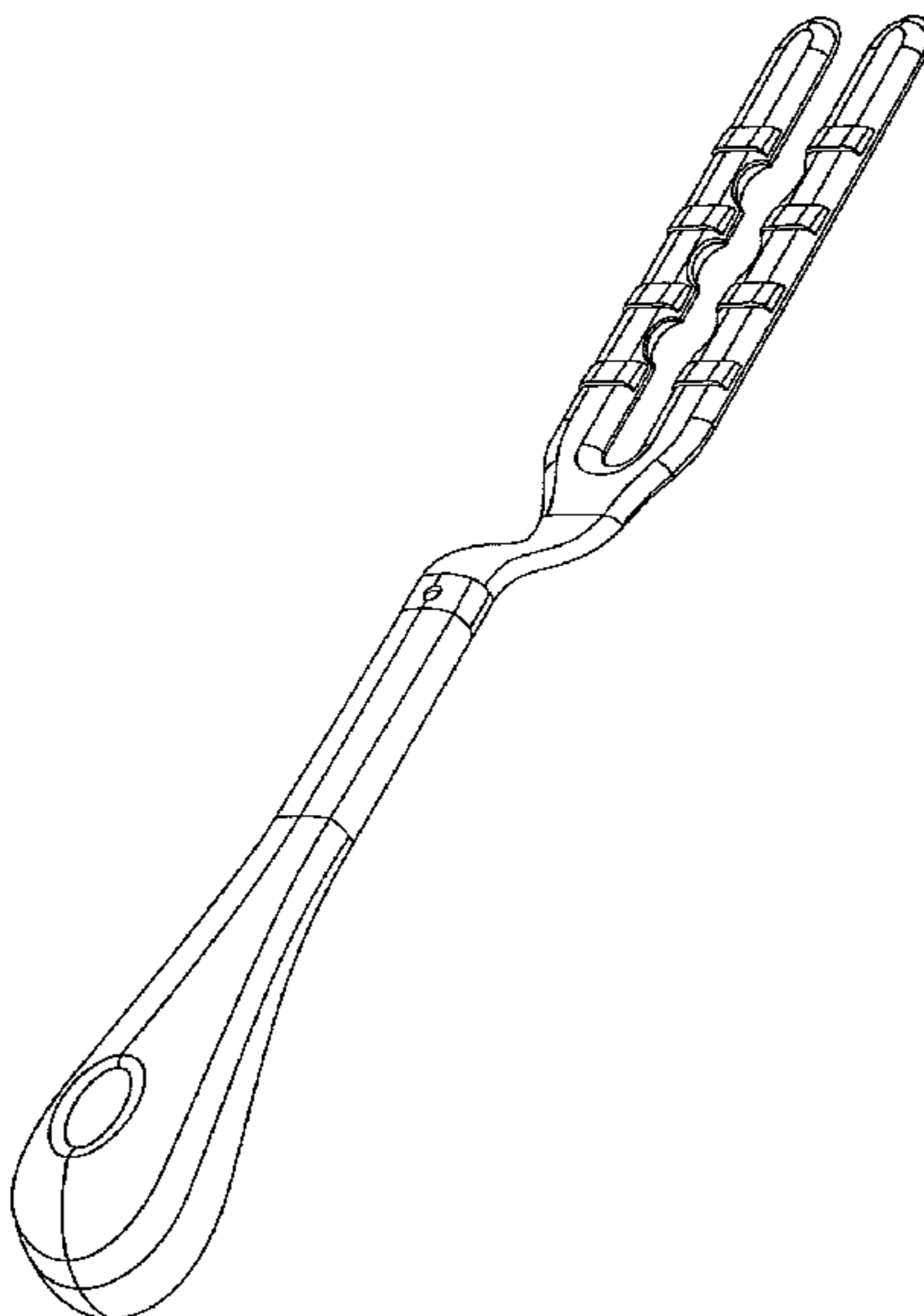
FIG. 8 is an isometric view of a first component of the handle of FIG. 1 shown separately for ease of disclosure and viewed from above, in front of, and from the left side of the handle;

FIG. 9 is an isometric view of a second component of the handle of FIG. 1 shown separately for ease of disclosure and viewed from above, in front of, and from the left side of the handle; and,

FIG. 10 is a left side elevation view of the second component of the handle of FIG. 1.

The broken lines are for illustrative purposes and represent environmental structure and unclaimed portions of the invention and therefore form no part of the claimed design.

1 Claim, 10 Drawing Sheets



US D685,970 S

Page 2

U.S. PATENT DOCUMENTS							
6,925,686	B2	8/2005	Heathcock et al.	D591,020	S	4/2009	Dotterman et al.
D512,569	S	12/2005	Berti	D604,468	S	11/2009	Hirata et al.
6,978,509	B2	12/2005	Lin	D608,965	S	1/2010	Tanaka et al.
7,004,671	B2	2/2006	Tawara et al.	D613,014	S *	3/2010	Hoadley et al. D32/52
7,065,824	B2	6/2006	Petner	D614,824	S	4/2010	Heidel et al.
D528,397	S *	9/2006	Hu D8/107	7,716,777	B2	5/2010	Lee
7,219,386	B2	5/2007	Tsuchiya et al.	D618,961	S	7/2010	Chafai et al.
D552,314	S	10/2007	Harper et al.	7,774,889	B2	8/2010	Weaver
D552,356	S	10/2007	Newbould et al.	D624,264	S	9/2010	Li
D571,069	S	6/2008	Harper et al.	D629,649	S	12/2010	Barber
D572,873	S *	7/2008	Hoadley et al. D32/52	D637,037	S *	5/2011	Bergne D7/395
D575,984	S *	9/2008	Coppi D7/393	8,002,491	B2	8/2011	Whitling et al.
D577,955	S *	10/2008	Kwan D7/395	D647,703	S	11/2011	Li
D578,773	S	10/2008	Sherman et al.	2005/0005381	A1 *	1/2005	Tanaka et al. 15/147.2
D579,614	S *	10/2008	Tanaka et al. D32/52	2005/0097691	A1	5/2005	Tsuchiya et al.
D579,615	S	10/2008	Ames et al.	2006/0123575	A1 *	6/2006	Maloney et al. 15/144.1
7,478,453	B1	1/2009	Busshaus	2006/0260082	A1 *	11/2006	Bonilla 15/229.3
D590,558	S *	4/2009	Tanaka et al. D32/48				

* cited by examiner

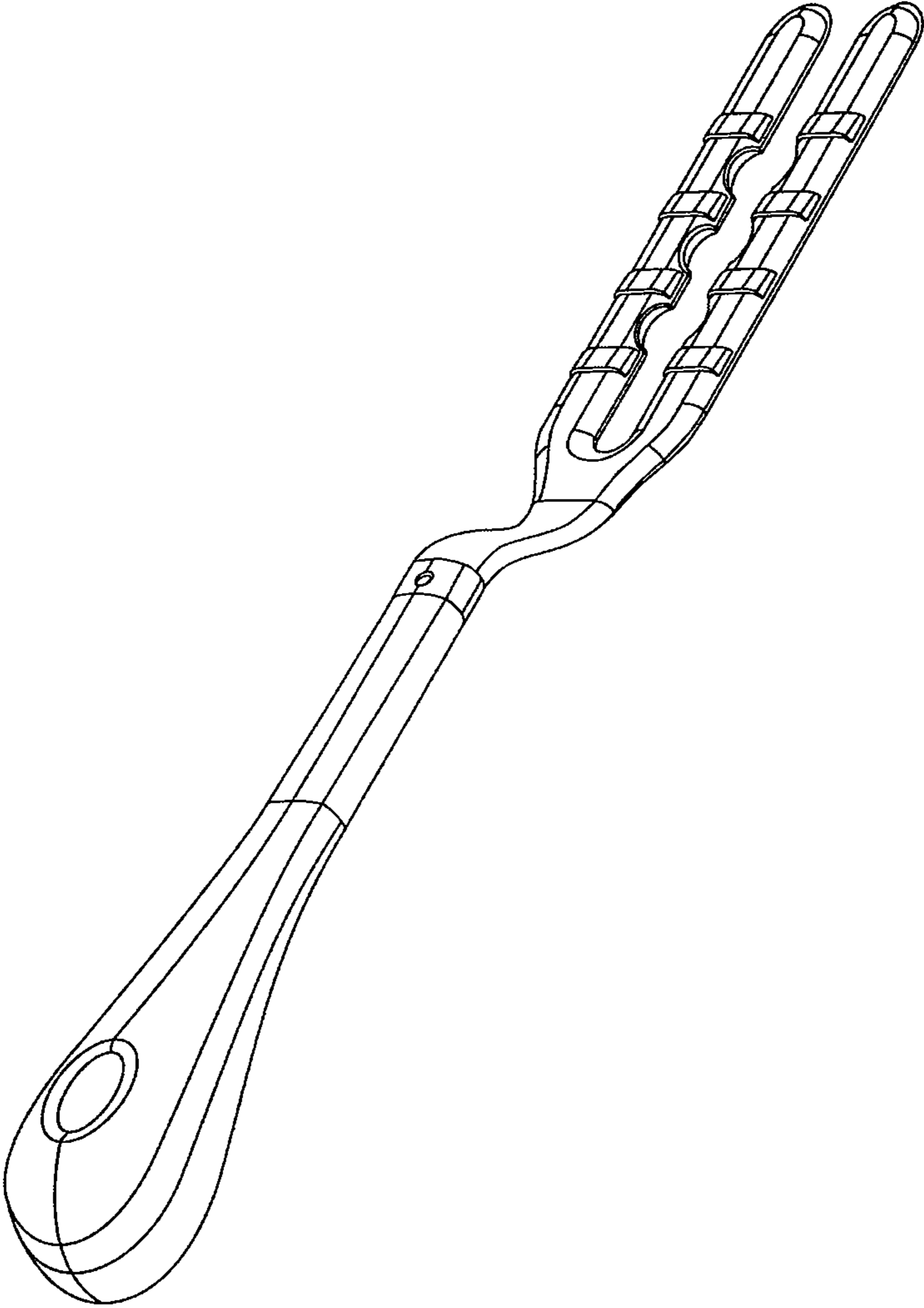


FIG. 1

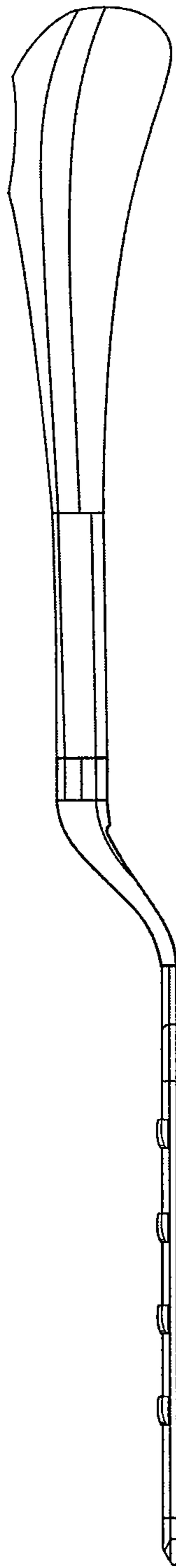


FIG. 2

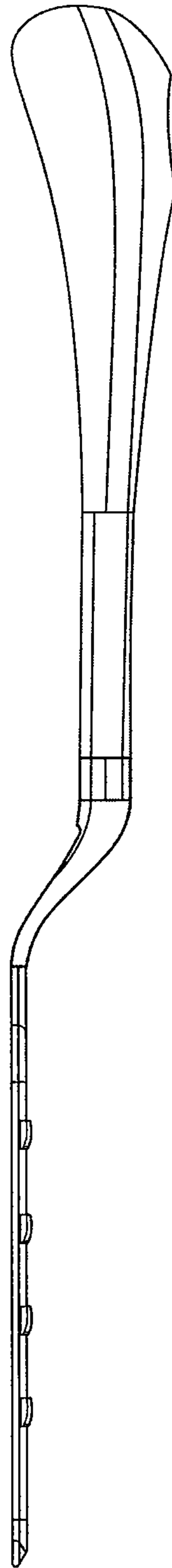


FIG. 3

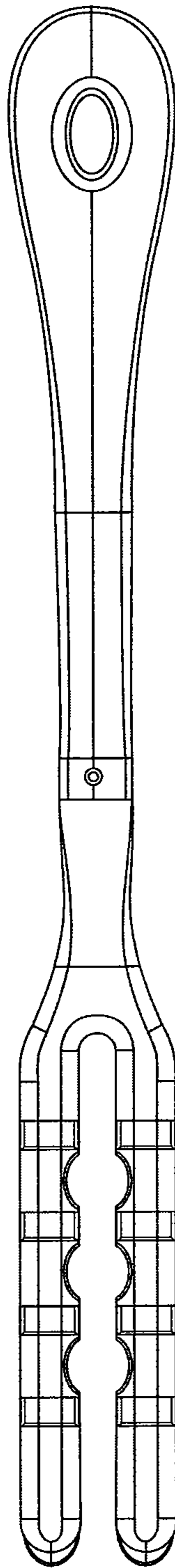


FIG. 4

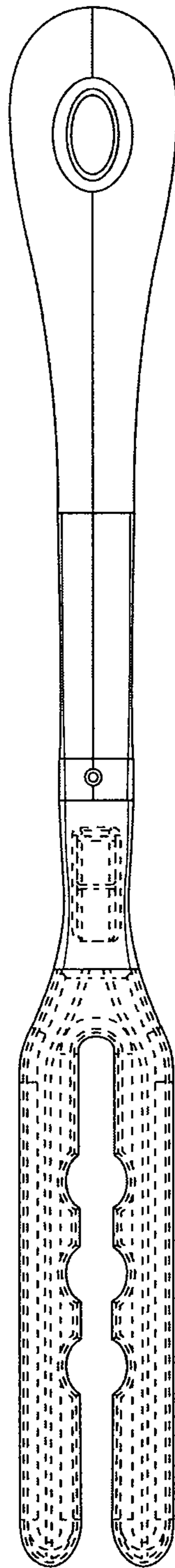


FIG. 5

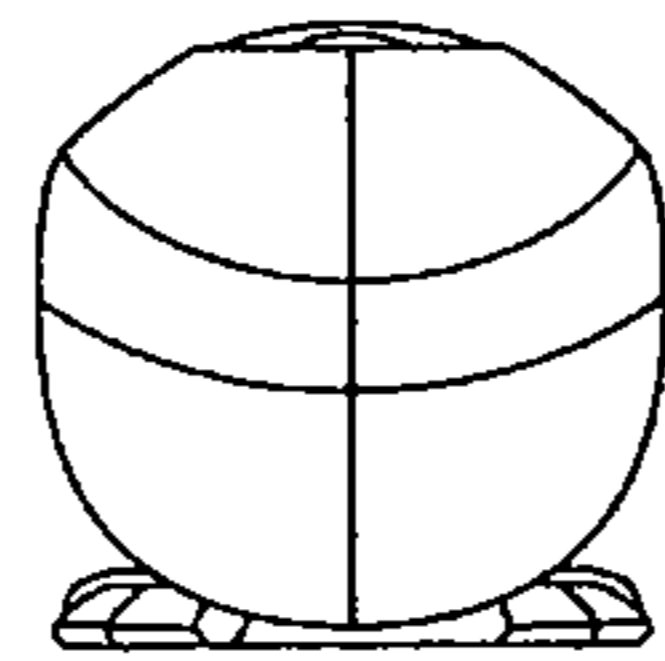


FIG. 6

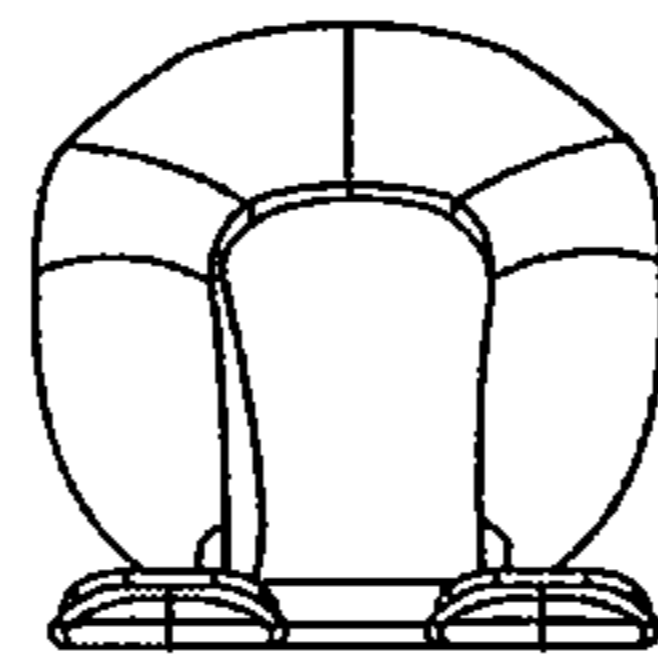


FIG. 7

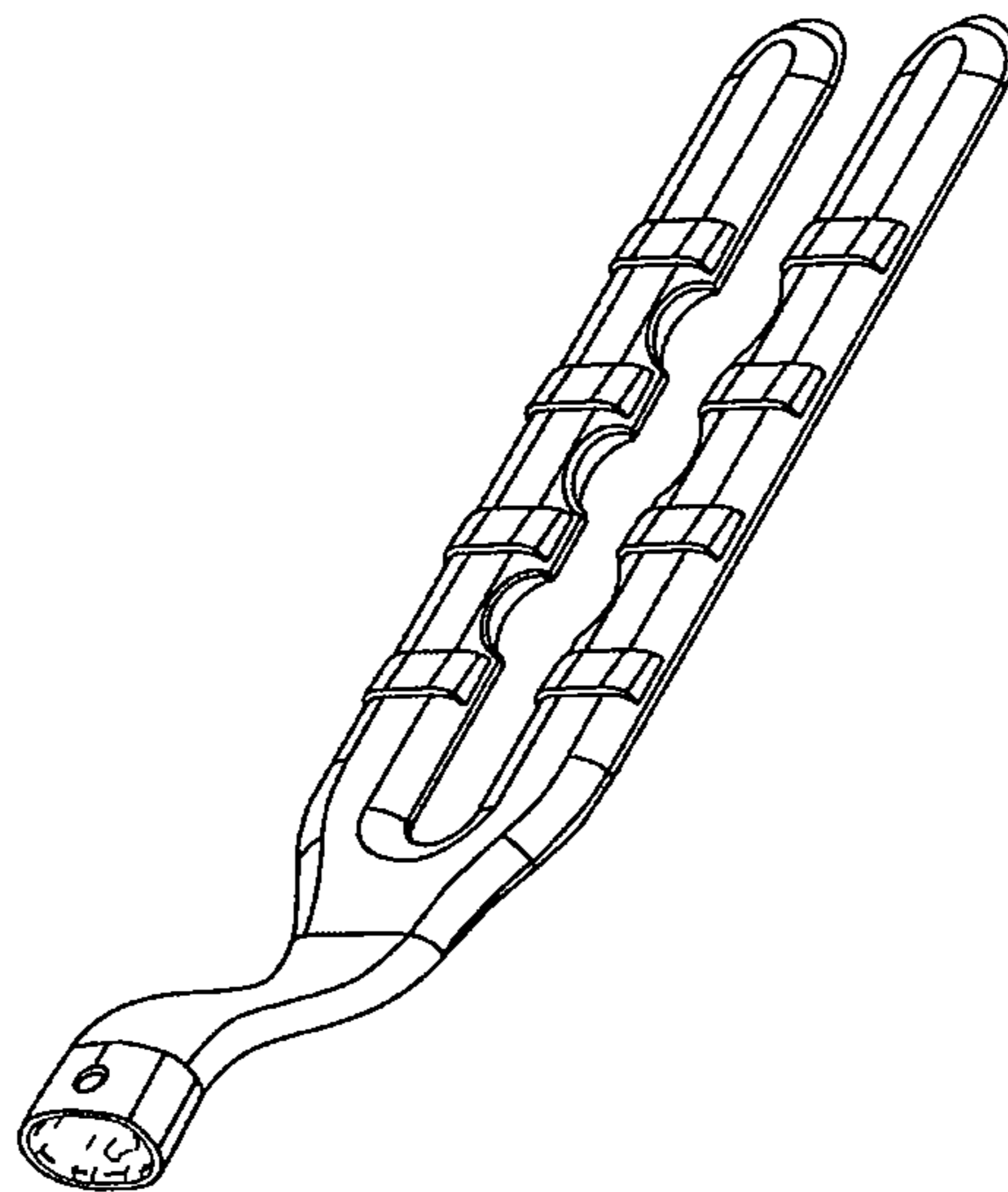


FIG. 8

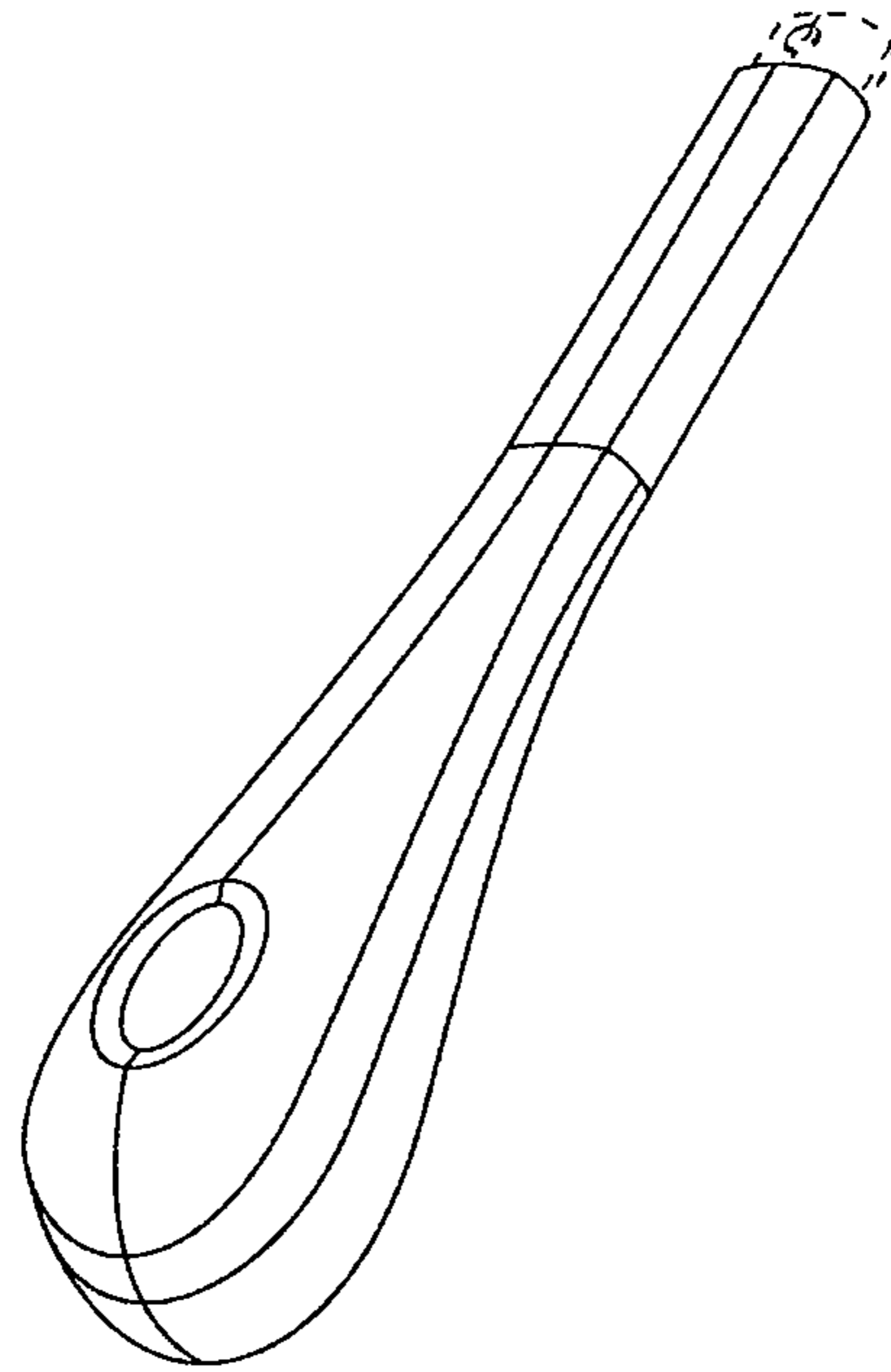


FIG. 9

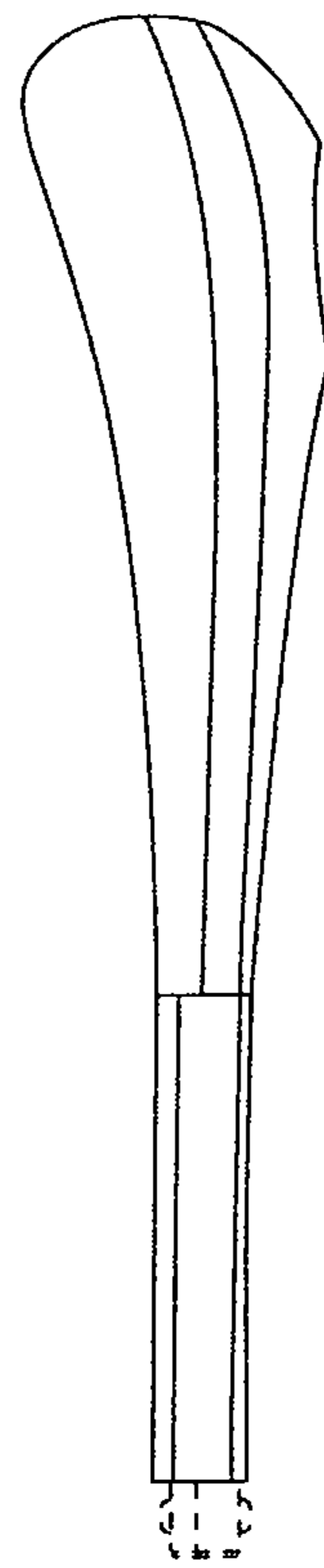


FIG. 10