



US00D685969S

(12) **United States Design Patent**
Smith

(10) **Patent No.:** **US D685,969 S**

(45) **Date of Patent:** **** Jul. 9, 2013**

(54) **DRY MOP WITH EXTENDABLE HANDLE**

(71) Applicant: **Chad Smith**, Rogers, AR (US)

(72) Inventor: **Chad Smith**, Rogers, AR (US)

(**) Term: **14 Years**

(21) Appl. No.: **29/432,902**

(22) Filed: **Sep. 21, 2012**

(51) **LOC (9) Cl.** **04-01**

(52) **U.S. Cl.**
USPC **D32/50; D32/52**

(58) **Field of Classification Search**
USPC D32/50-52, 40, 44, 45; 473/301,
473/302; 15/143.1, 119.2, 120.1, 120.2, 116.1,
15/116.2, 150, 209.1-210.1; 401/137-140
See application file for complete search history.

(56) **References Cited**

U.S. PATENT DOCUMENTS

1,657,784	A *	1/1928	Bergstrom	51/295
4,154,883	A *	5/1979	Elias	428/171
5,876,141	A *	3/1999	Hsu	401/207
6,044,513	A *	4/2000	Penn	15/118
D446,616	S *	8/2001	Denney	D32/40
D490,952	S *	6/2004	Ajluni	D32/50
D515,759	S *	2/2006	Fischer	D32/45
D545,019	S *	6/2007	Harper et al.	D32/50
D564,164	S *	3/2008	Harper et al.	D32/51

D588,770	S *	3/2009	Koenig et al.	D32/50
D638,186	S *	5/2011	Yoon	D32/50
D644,386	S *	8/2011	Tawara et al.	D32/51
D653,827	S *	2/2012	Lee	D32/50

* cited by examiner

Primary Examiner — John Windmuller

(74) *Attorney, Agent, or Firm* — Mark Murphy Henry

(57) **CLAIM**

The ornamental design for a dry mop with extendable handle, as shown and described.

DESCRIPTION

FIG. 1 is a perspective view of a dry mop with extendable handle showing my new design in use.

FIG. 2 is a perspective view of the dry mop with extendable handle.

FIG. 3 is a right side view of the dry mop with extendable handle.

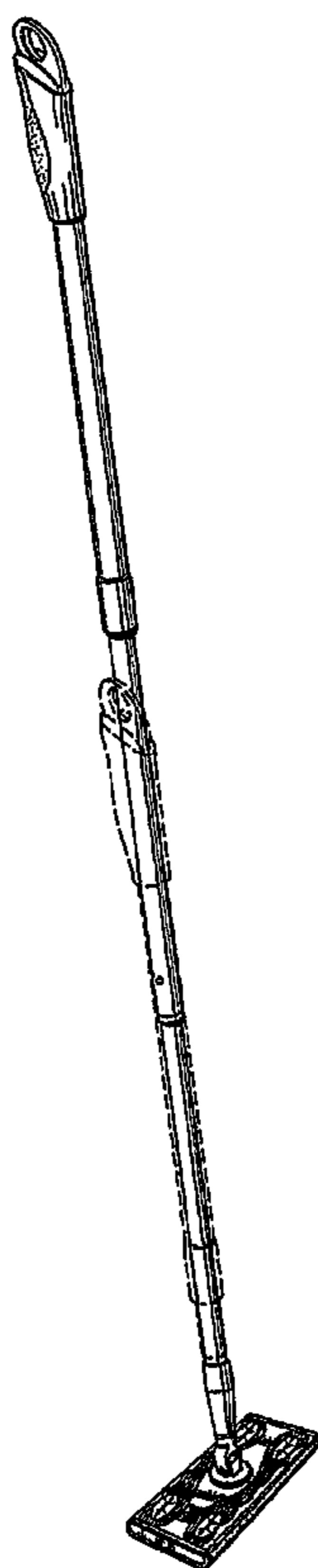
FIG. 4 is a rear view of the dry mop with extendable handle.

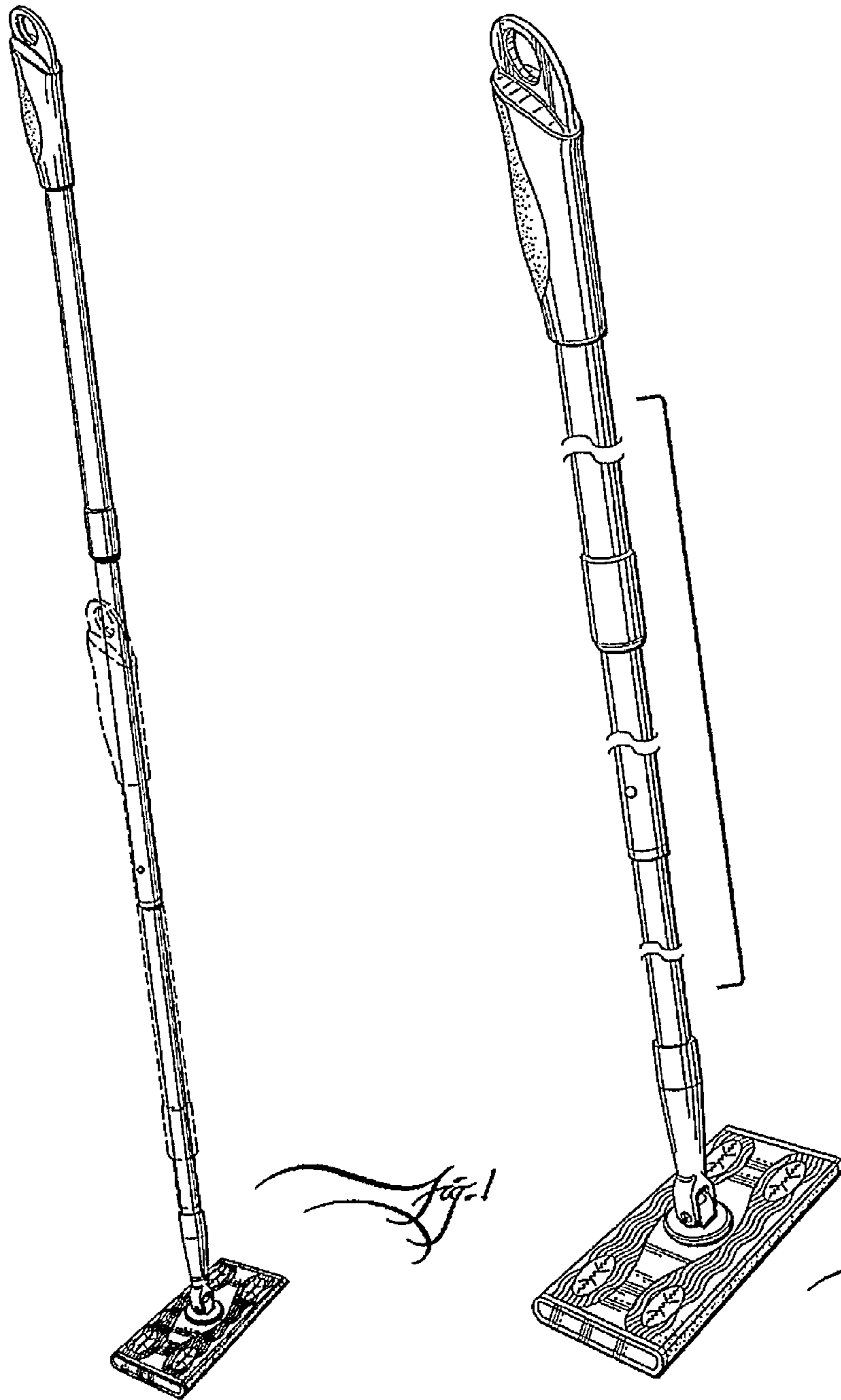
FIG. 5 is a left side view of the dry mop with extendable handle.

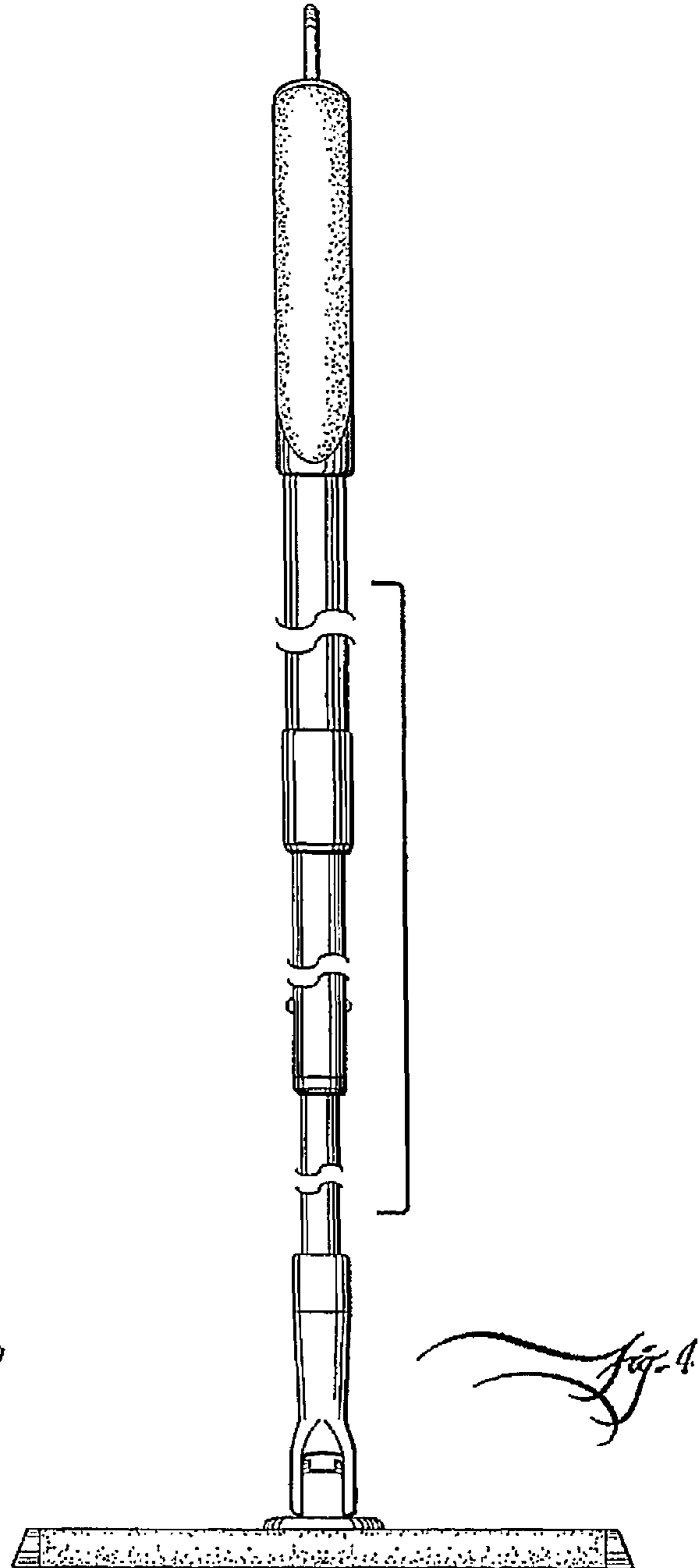
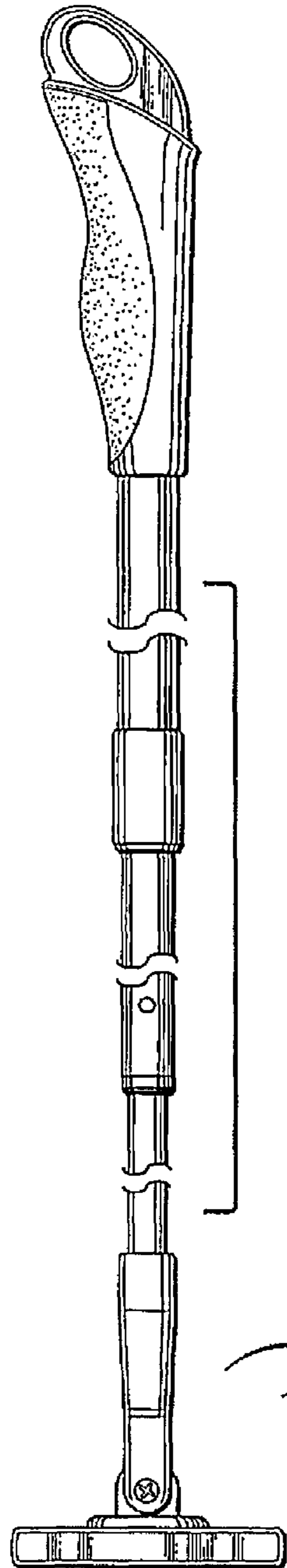
FIG. 6 is a front view of the dry mop with extendable handle.

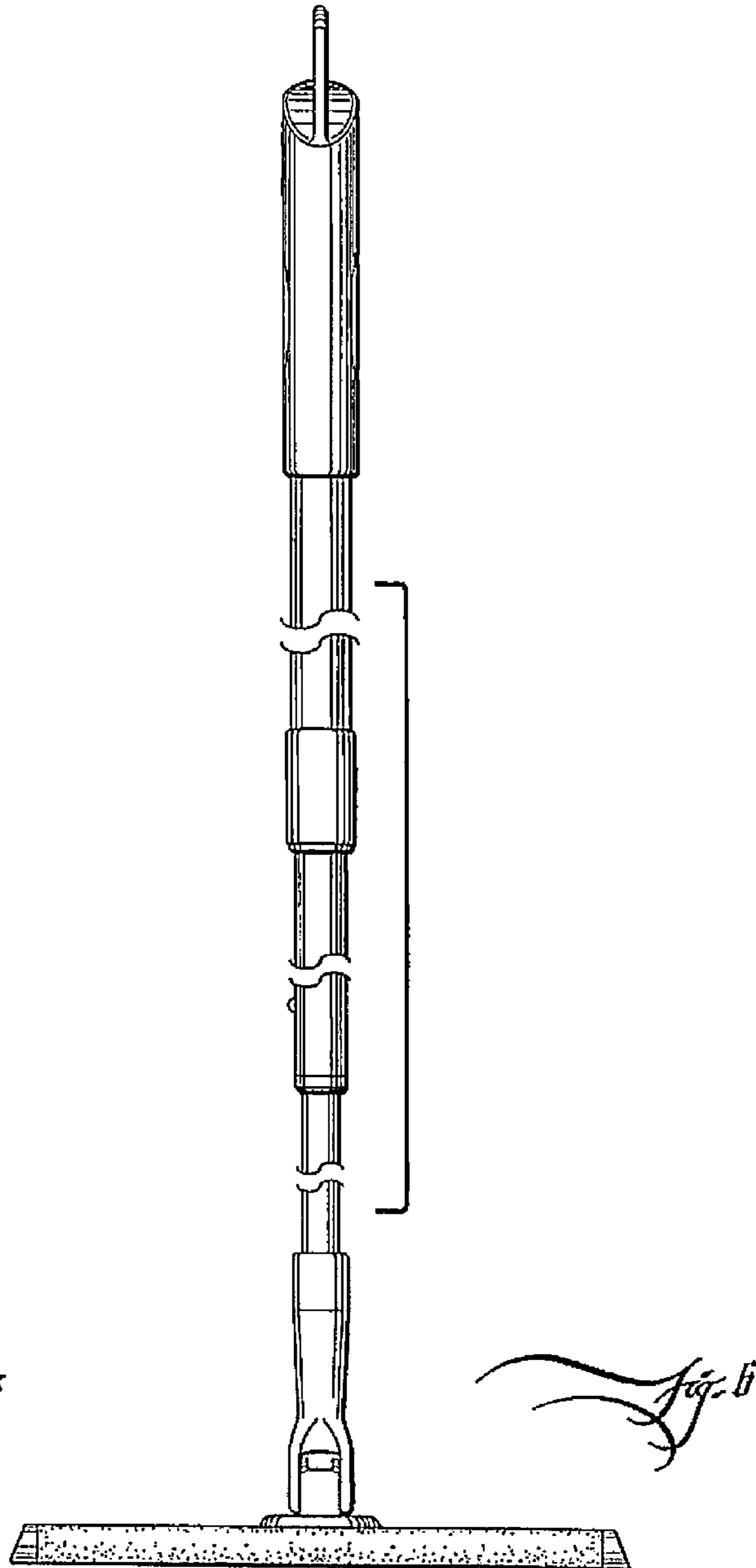
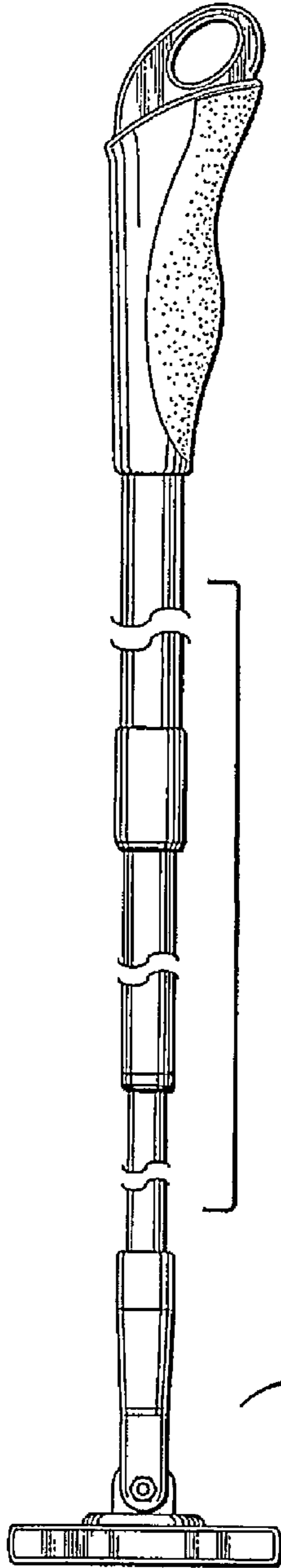
FIG. 7 is a top view of the dry mop with extendable handle; and,
FIG. 8 is a bottom view of the dry mop with extendable handle.

1 Claim, 4 Drawing Sheets









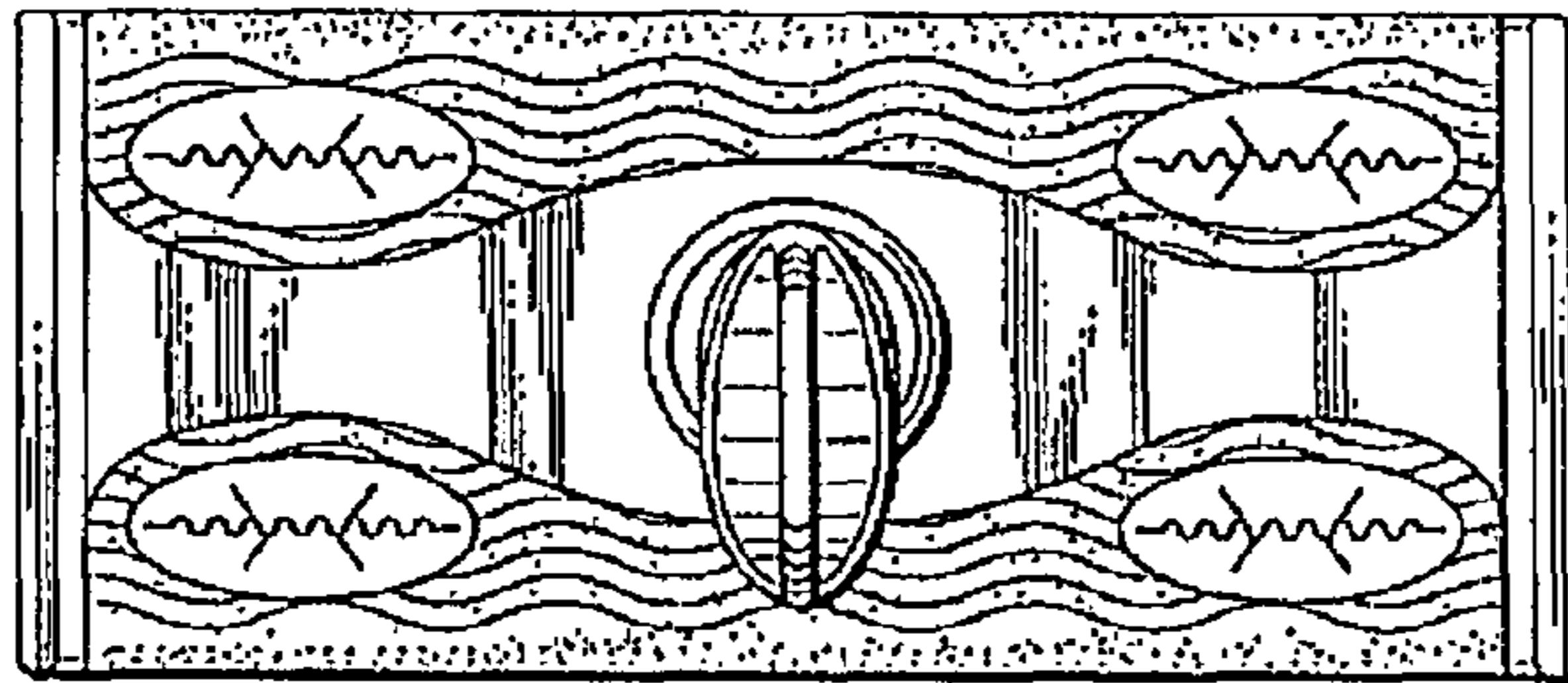


Fig. 7

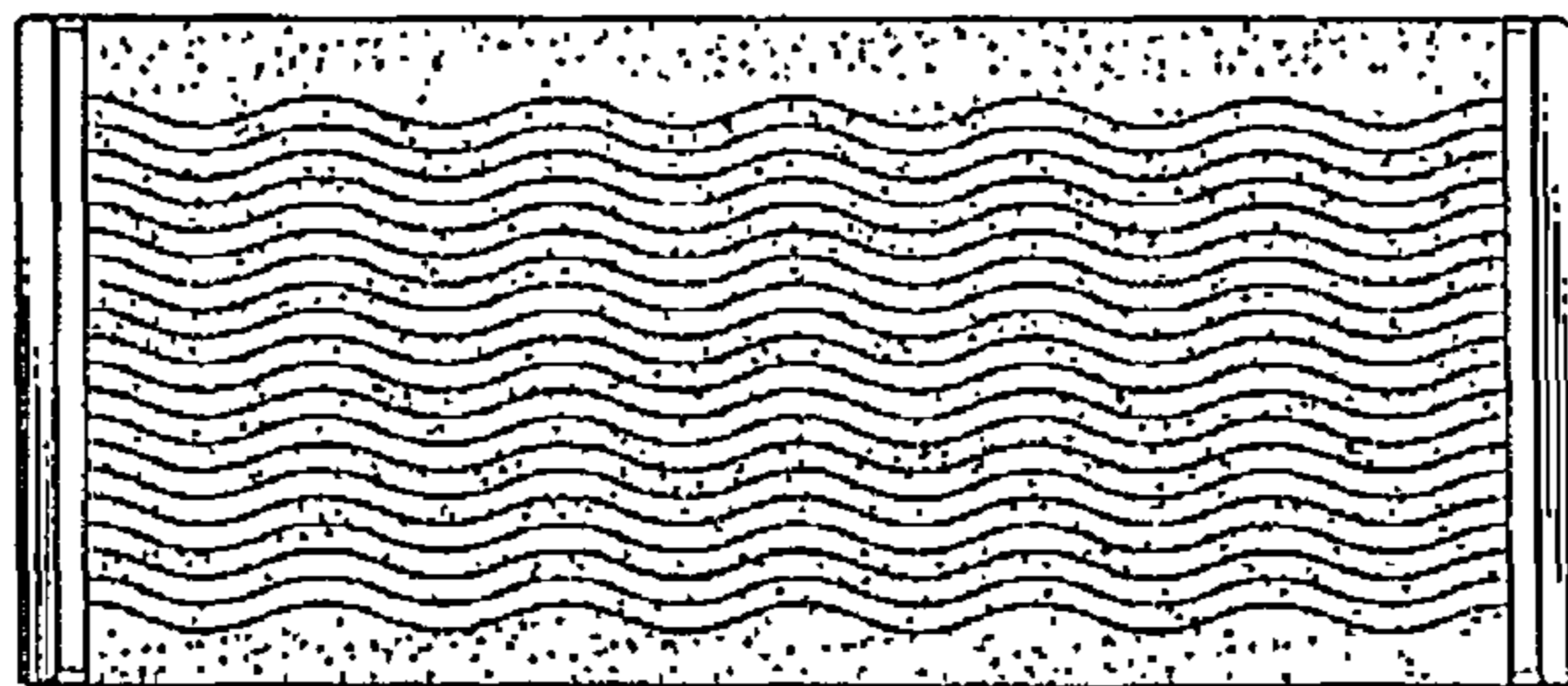


Fig. 8