



US00D685968S

(12) **United States Design Patent**
Smith

(10) **Patent No.:** **US D685,968 S**

(45) **Date of Patent:** **** Jul. 9, 2013**

(54) **WET MOP WITH AN EXTENDABLE HANDLE**

Primary Examiner — Robin V Webster

(71) Applicant: **Chad Smith**, Rogers, AR (US)

(74) *Attorney, Agent, or Firm* — Mark Murphy Henry

(72) Inventor: **Chad Smith**, Rogers, AR (US)

(57) **CLAIM**

(**) Term: **14 Years**

The ornamental design of a wet mop with an extendable handle, as shown and described.

(21) Appl. No.: **29/432,904**

DESCRIPTION

(22) Filed: **Sep. 21, 2012**

(51) **LOC (9) Cl.** **04-01**

(52) **U.S. Cl.**
USPC **D32/45**

(58) **Field of Classification Search**
USPC D32/40–45, 50, 51; 401/137–140; 15/228
See application file for complete search history.

FIG. 1 is a perspective view of the wet mop with an extendable handle in use.

FIG. 2 is a rear view of the wet mop with an extendable handle.

FIG. 3 is a front view of the wet mop with an extendable handle.

FIG. 4 is a right view of the wet mop with an extendable handle.

FIG. 5 is a left side view of the wet mop with an extendable handle.

FIG. 6 is a top view of the wet mop with an extendable handle; and,

FIG. 7 is a bottom view of the wet mop with an extendable handle.

The broken line showing of the handle in an alternate position is included for the purpose of illustrating and forms no part of the claimed design.

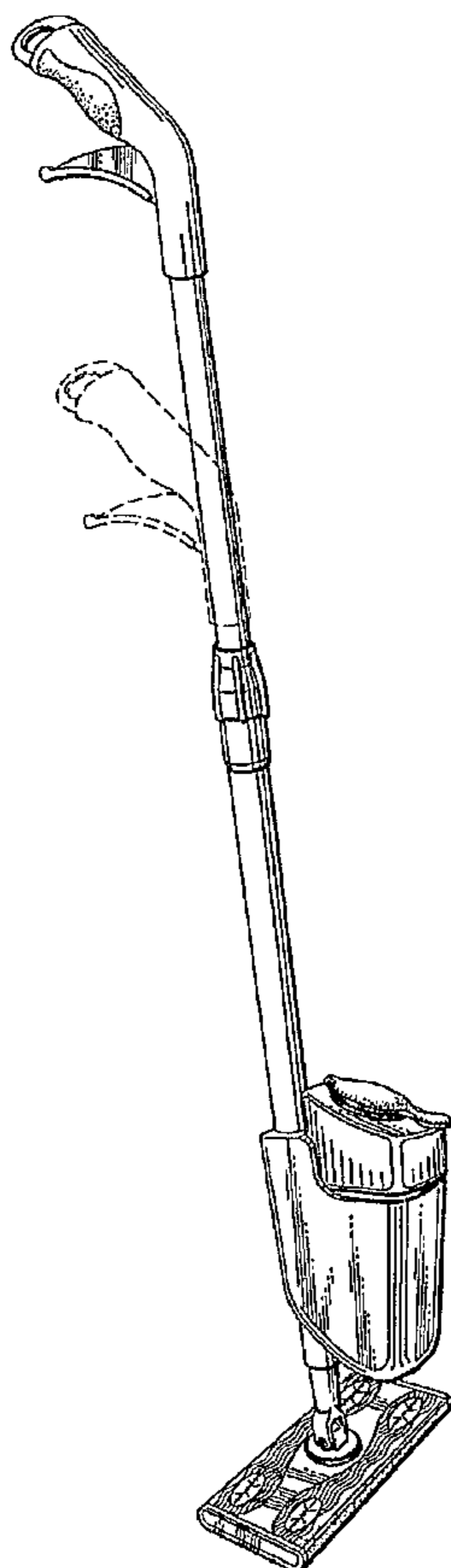
(56) **References Cited**

U.S. PATENT DOCUMENTS

D458,427 S *	6/2002	Kunkler et al.	D32/45
6,497,525 B1 *	12/2002	Huang	401/138
D591,921 S *	5/2009	Rosenzweig et al.	D32/45
D597,717 S *	8/2009	Rosenzweig et al.	D32/45
D602,218 S *	10/2009	Koenig et al.	D32/40
D658,835 S *	5/2012	Houghton	D32/45
D660,533 S *	5/2012	Hill et al.	D32/45

* cited by examiner

1 Claim, 4 Drawing Sheets



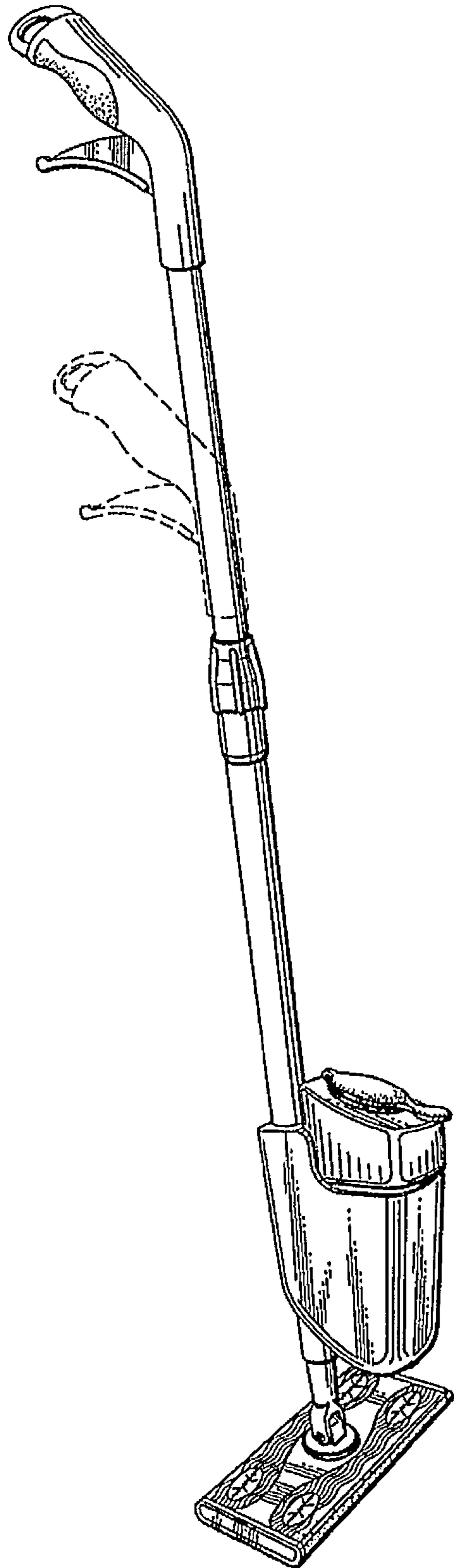


Fig. 1

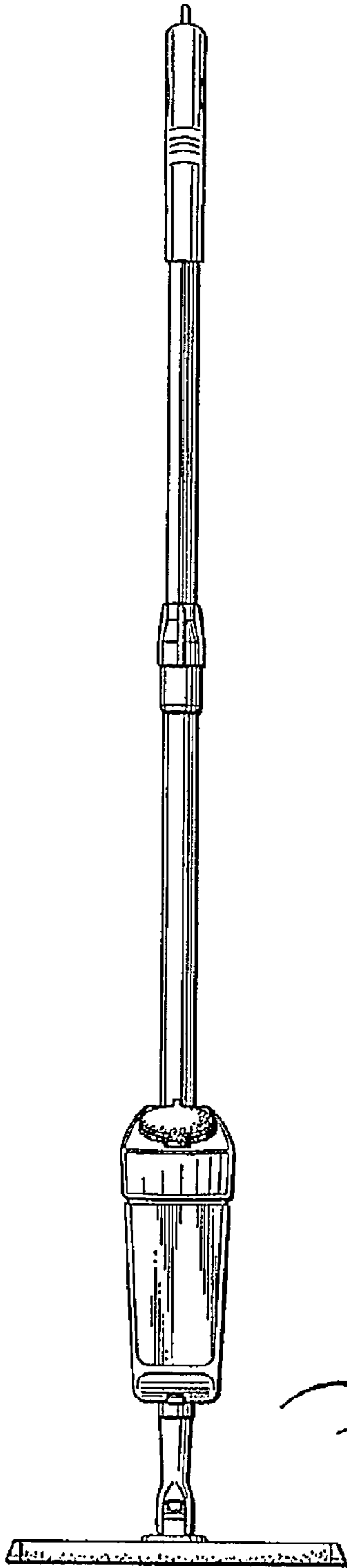


Fig. 2

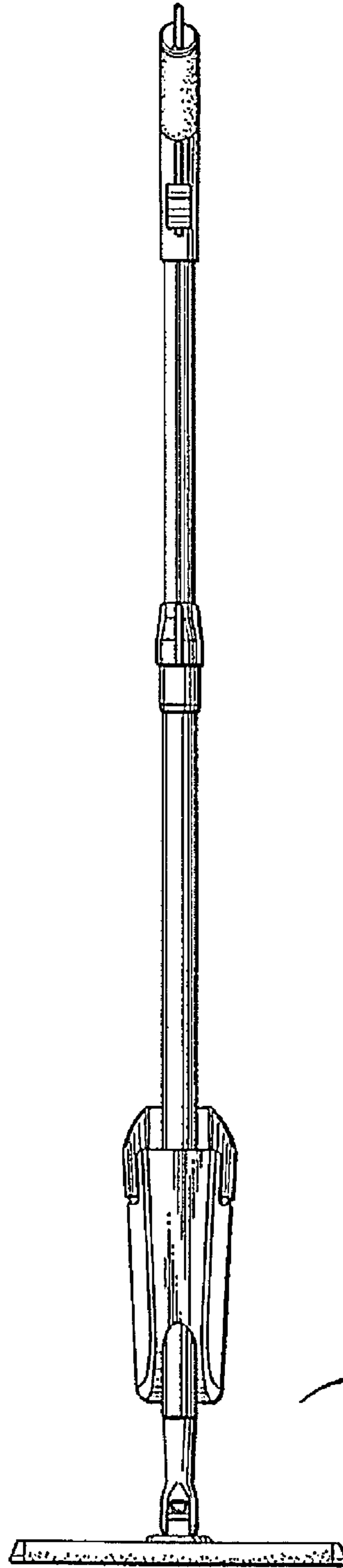


Fig. 3

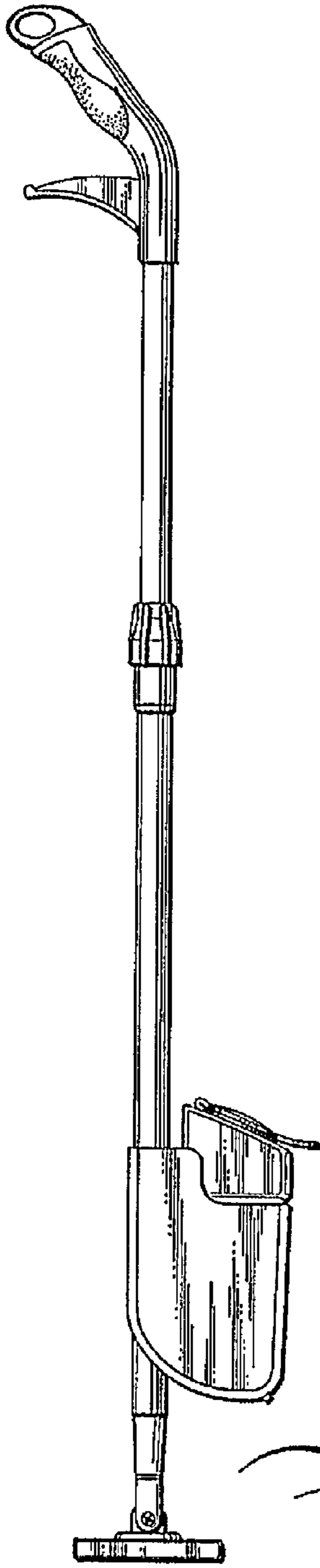


Fig. 4

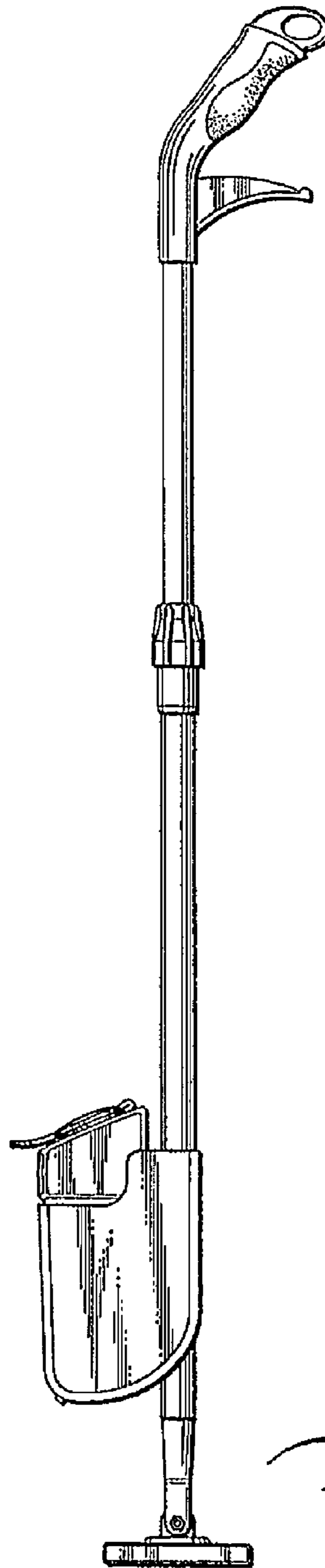


Fig. 5

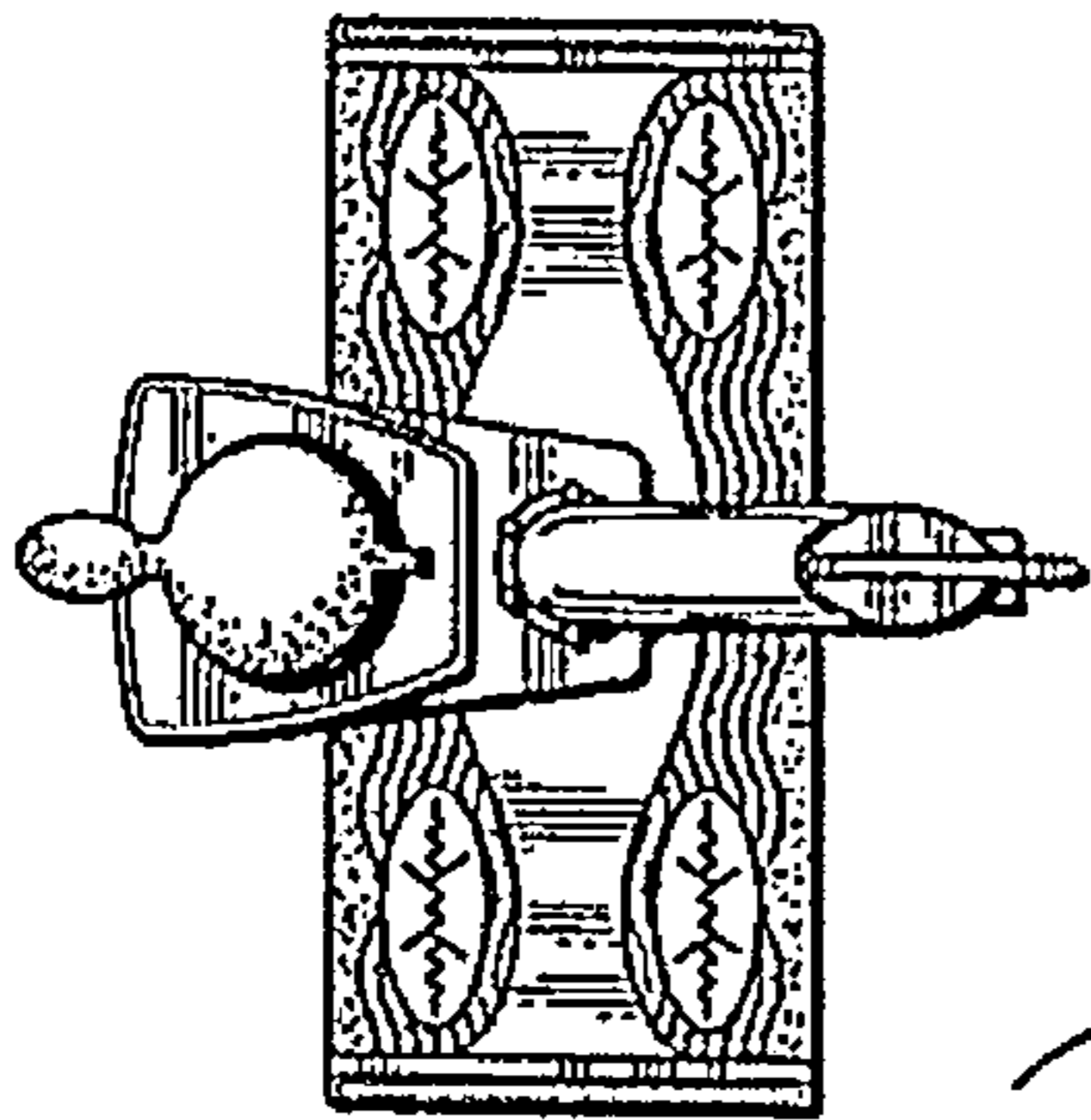


Fig. 6

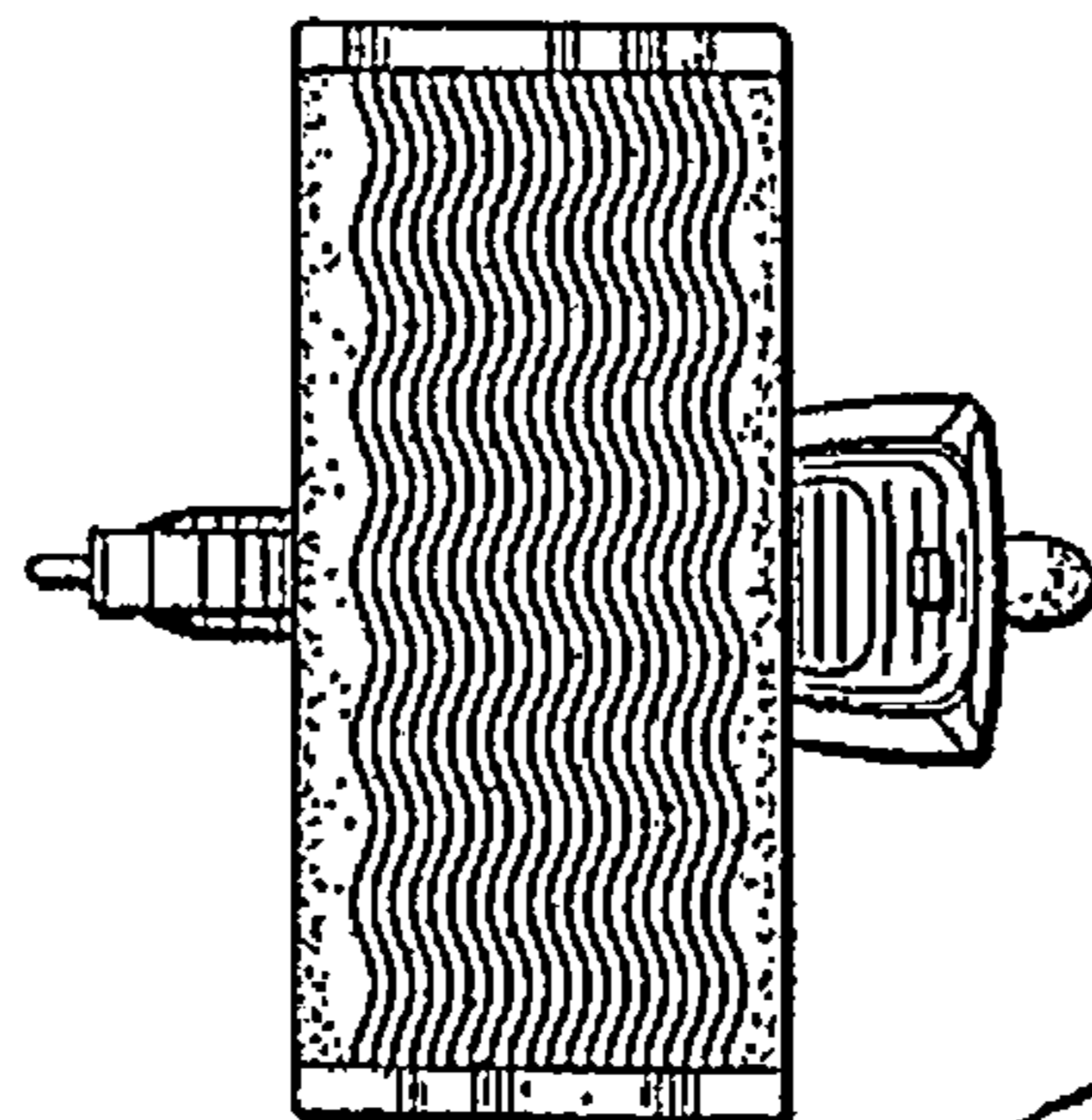


Fig. 7