



US00D685966S

(12) **United States Design Patent**
Houghton

(10) **Patent No.:** **US D685,966 S**
(45) **Date of Patent:** **** Jul. 9, 2013**

(54) **ELECTRICALLY POWERED STEAM
CLEANER**

(75) Inventor: **Stephen Houghton,**
Newcastle-upon-Tyne (GB)

(73) Assignee: **Black & Decker Inc.,** Newark, DE (US)

(**) Term: **14 Years**

(21) Appl. No.: **29/431,819**

(22) Filed: **Sep. 11, 2012**

(30) **Foreign Application Priority Data**

Mar. 23, 2012 (EM) CD001319149-0001

(51) **LOC (9) Cl.** **04-01**

(52) **U.S. Cl.**
USPC **D32/45**

(58) **Field of Classification Search**
USPC D32/40-45, 50, 51; 401/137-140; 15/228
See application file for complete search history.

(56) **References Cited**

U.S. PATENT DOCUMENTS

D458,427 S * 6/2002 Kunkler et al. D32/45
6,497,525 B1 * 12/2002 Huang 401/138

D591,921 S * 5/2009 Rosenzweig et al. D32/45
D597,717 S * 8/2009 Rosenzweig et al. D32/45
D602,218 S * 10/2009 Koenig et al. D32/40
D658,835 S * 5/2012 Houghton D32/45
D660,533 S * 5/2012 Hill et al. D32/45

* cited by examiner

Primary Examiner — Robin V Webster

(74) *Attorney, Agent, or Firm* — John Yun

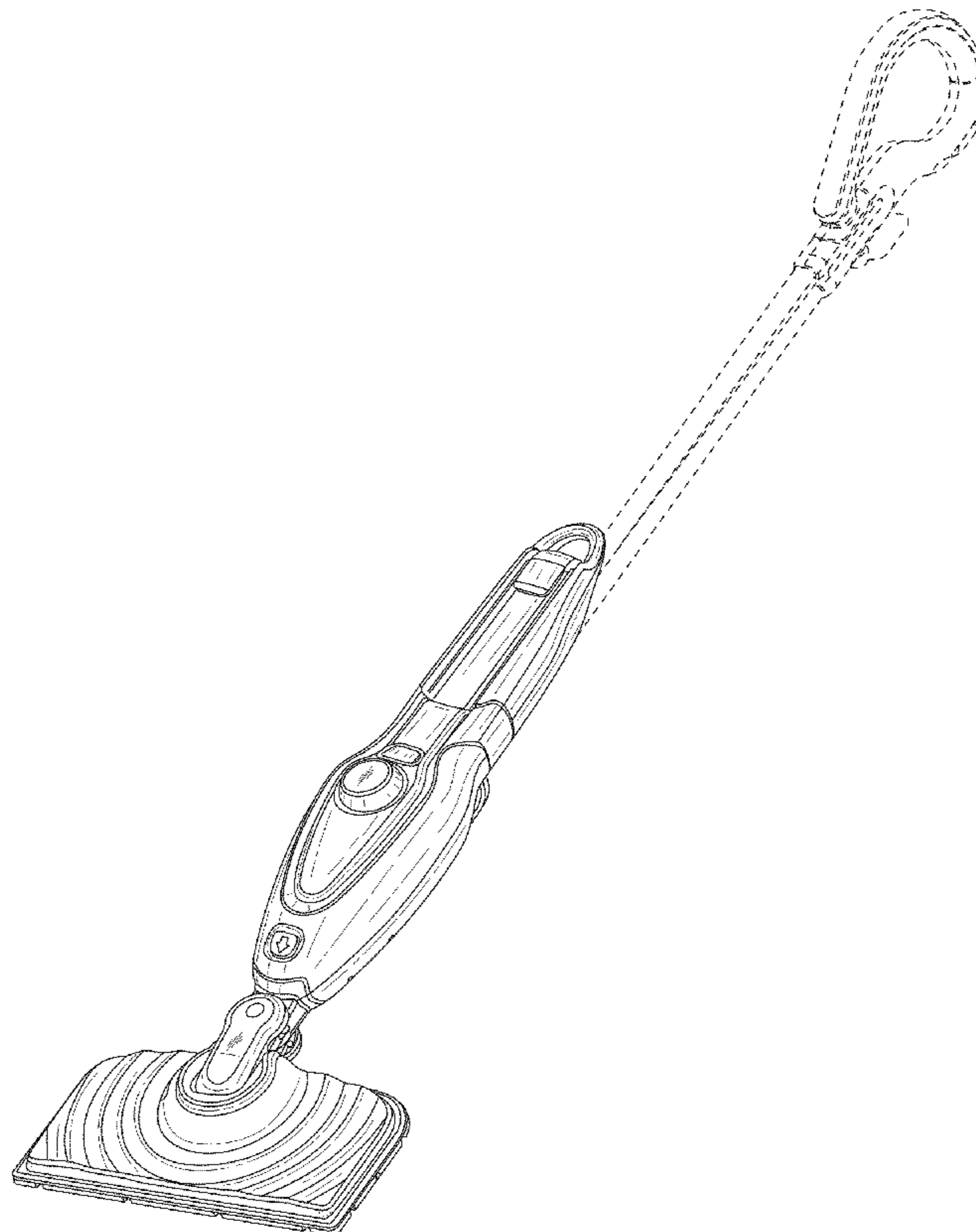
(57) **CLAIM**

The ornamental design for a electrically powered steam cleaner, as shown and described.

DESCRIPTION

FIG. 1 is a perspective view of an electrically powered steam cleaner of my new design;
FIG. 2 is a left side view thereof
FIG. 3 is a right side view thereof;
FIG. 4 is a front view thereof;
FIG. 5 is a rear view thereof;
FIG. 6 is a top plan view thereof; and,
FIG. 7 is a bottom plan view thereof.
In the above drawings the broken lines and the areas within the broken lines form no part of the claimed design.

1 Claim, 4 Drawing Sheets



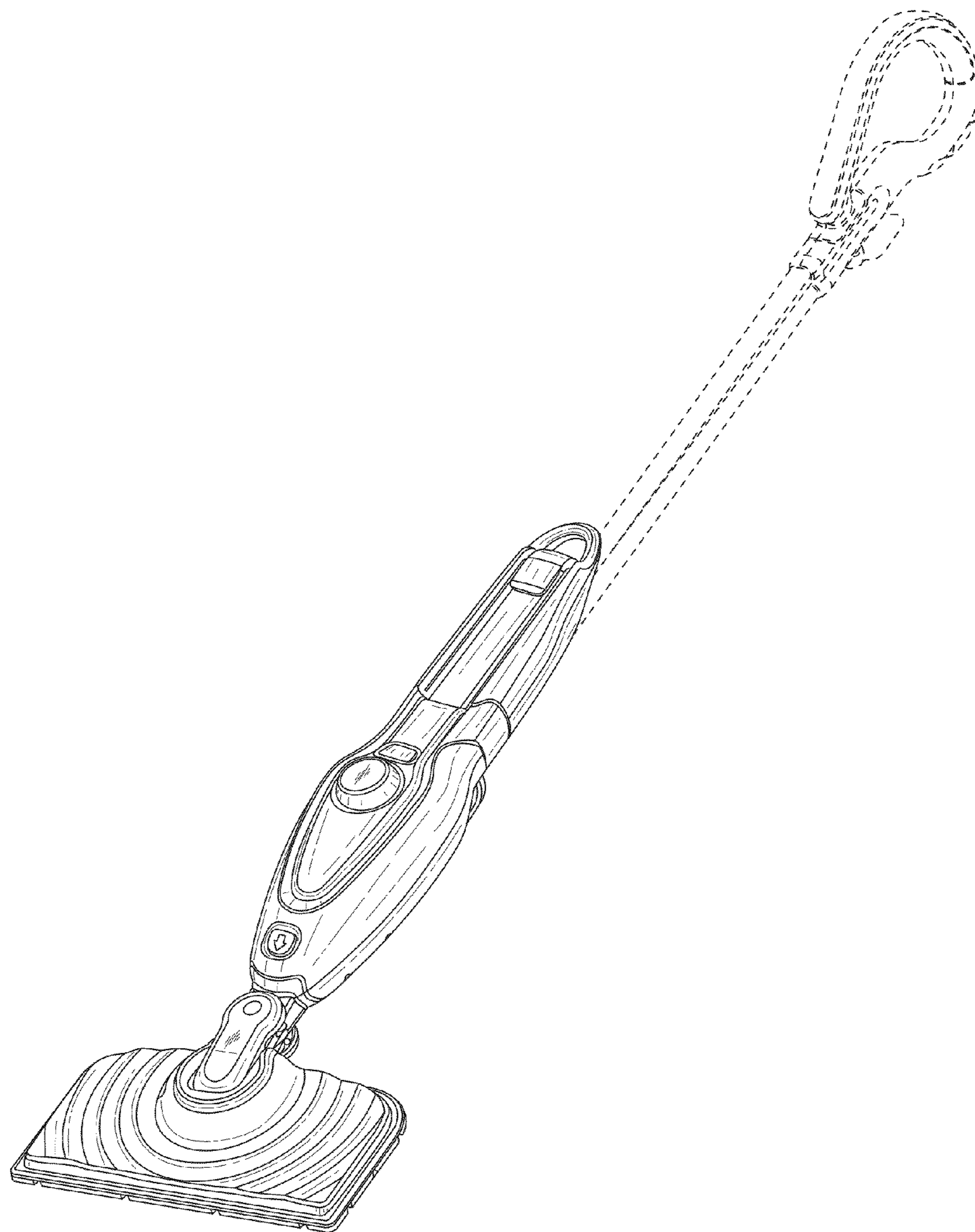


FIG. 1

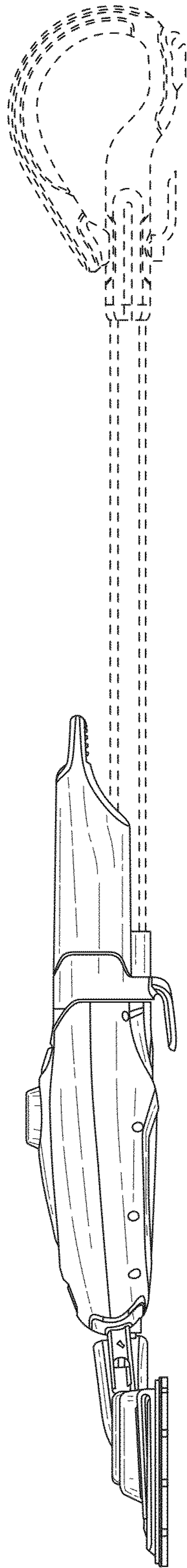


FIG. 2

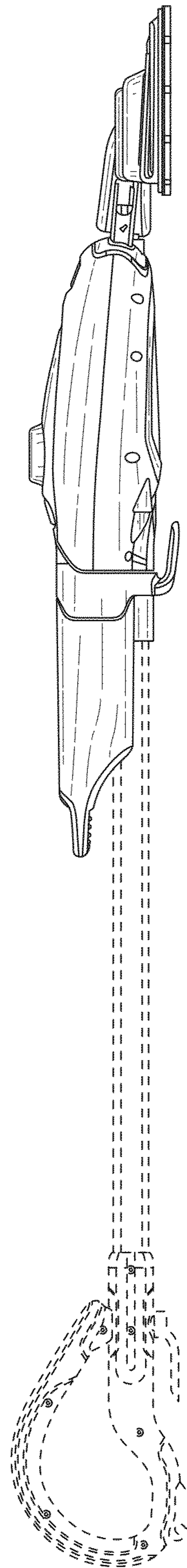


FIG. 3

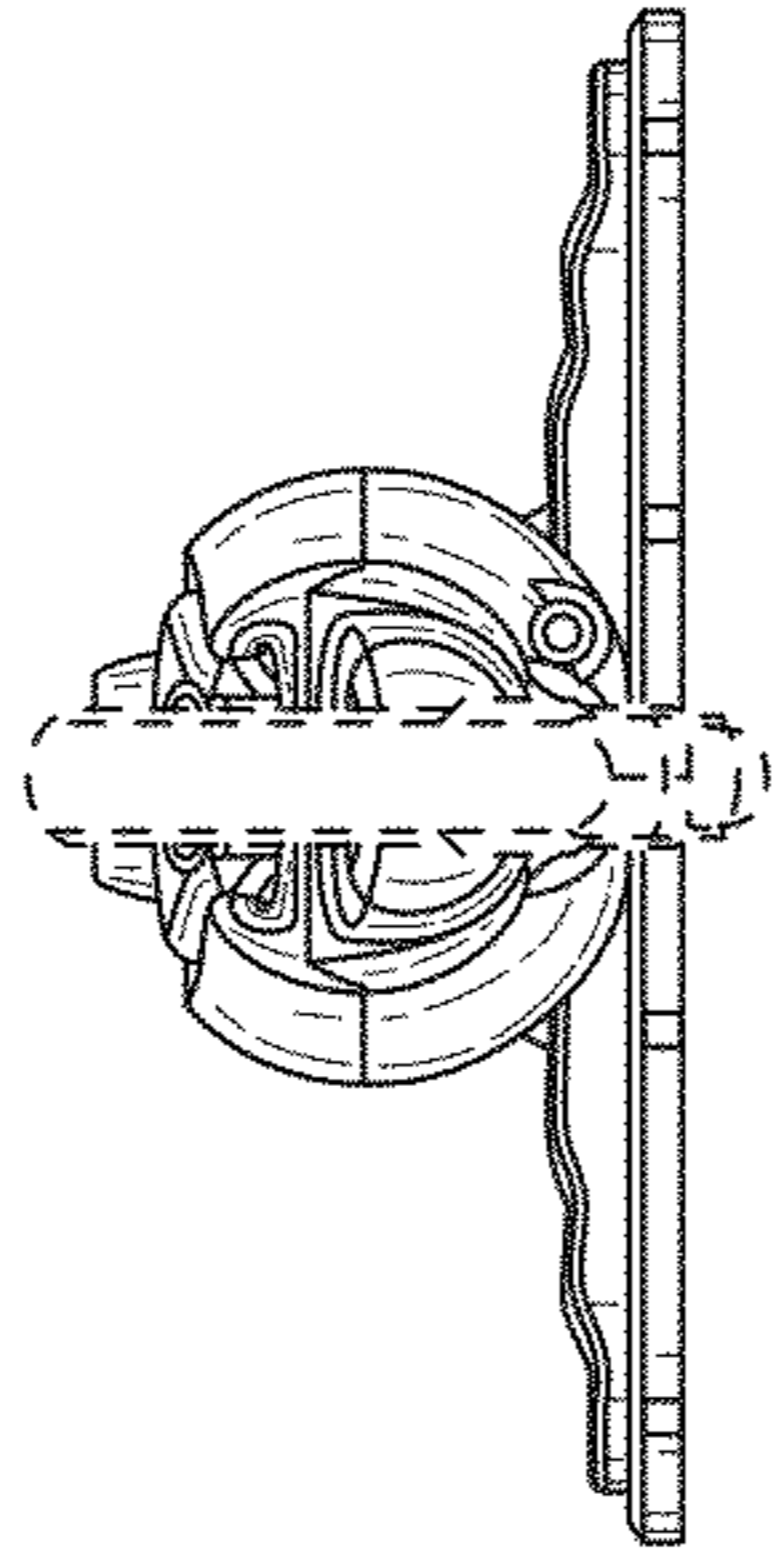


FIG. 5

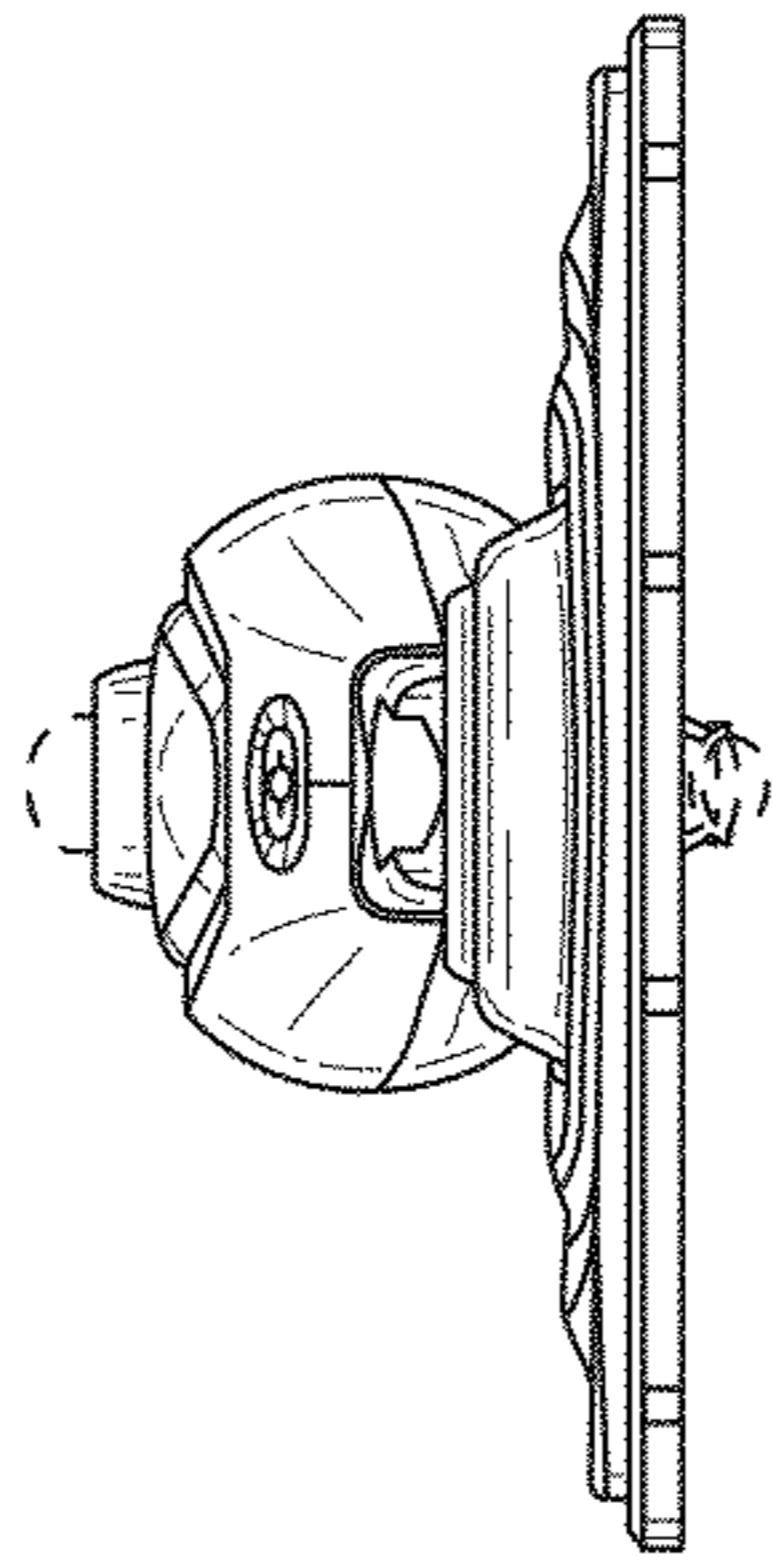


FIG. 4

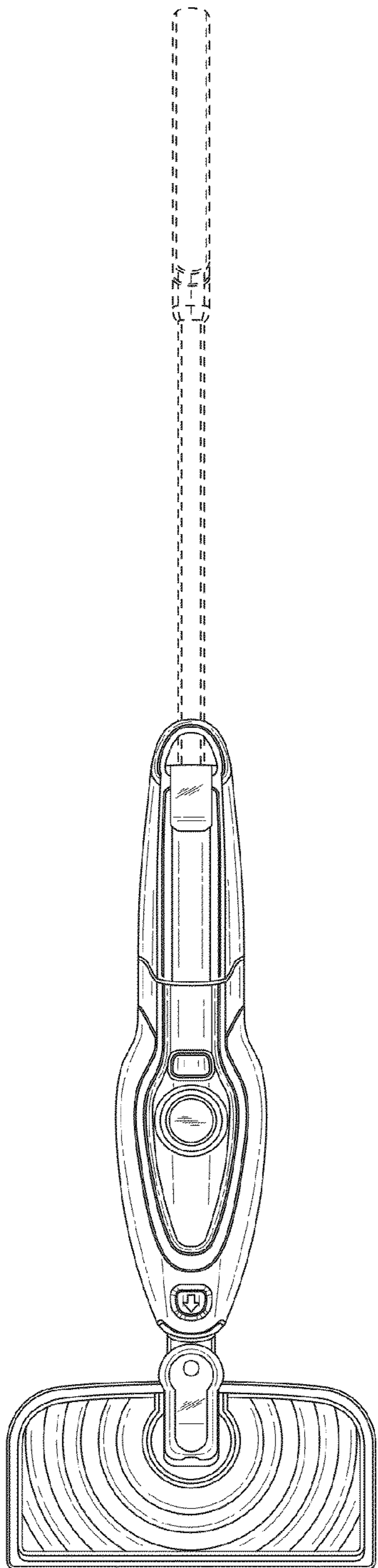


FIG. 6

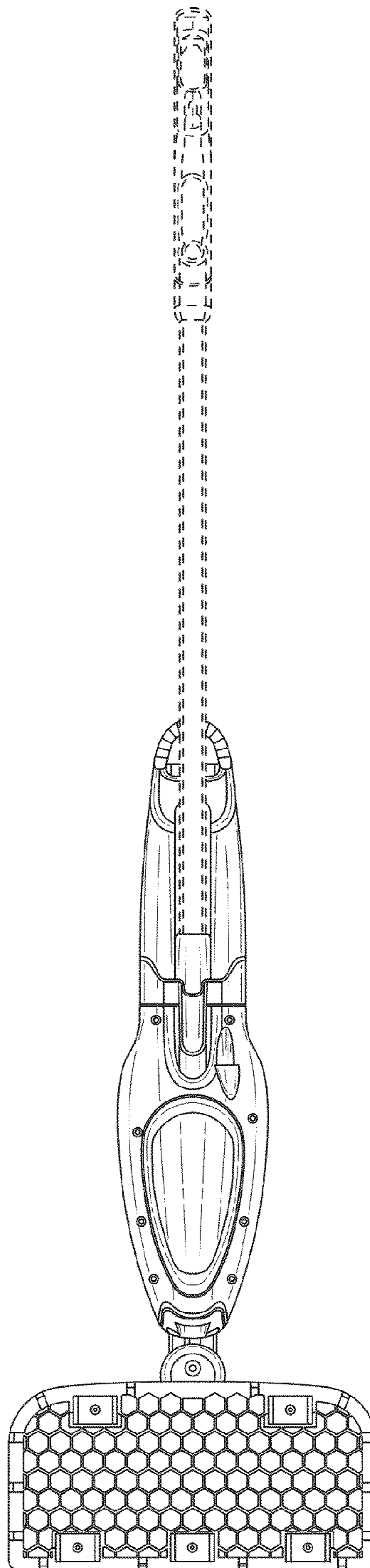


FIG. 7