



US00D685965S

(12) **United States Design Patent**  
**Houghton**

(10) **Patent No.:** **US D685,965 S**

(45) **Date of Patent:** **\*\* Jul. 9, 2013**

(54) **ELECTRICALLY POWERED STEAM  
CLEANER**

(75) Inventor: **Stephen Houghton,**  
Newcastle-upon-Tyne (GB)

(73) Assignee: **Black & Decker Inc.,** Newark, DE (US)

(\*\*) Term: **14 Years**

(21) Appl. No.: **29/431,817**

(22) Filed: **Sep. 11, 2012**

(30) **Foreign Application Priority Data**

Mar. 23, 2012 (EM) ..... CD001319107-0001

(51) **LOC (9) Cl.** ..... **04-01**

(52) **U.S. Cl.**  
USPC ..... **D32/45**

(58) **Field of Classification Search**

USPC ..... D32/40-45, 50, 51; 15/228, 147.1,  
15/DIG. 10; 401/137-140; 16/444, 446, DIG.  
12, DIG. 19

See application file for complete search history.

(56) **References Cited**

U.S. PATENT DOCUMENTS

D673,336 S \* 12/2012 Kandasamy et al. .... D32/40

\* cited by examiner

*Primary Examiner* — Robin V Webster

(74) *Attorney, Agent, or Firm* — John Yun

(57) **CLAIM**

The ornamental design for a electrically powered steam cleaner, as shown and described.

**DESCRIPTION**

FIG. 1 is a perspective view of an electrically powered steam cleaner of my new design;

FIG. 2 is a left side view thereof

FIG. 3 is a right side view thereof;

FIG. 4 is a front view thereof;

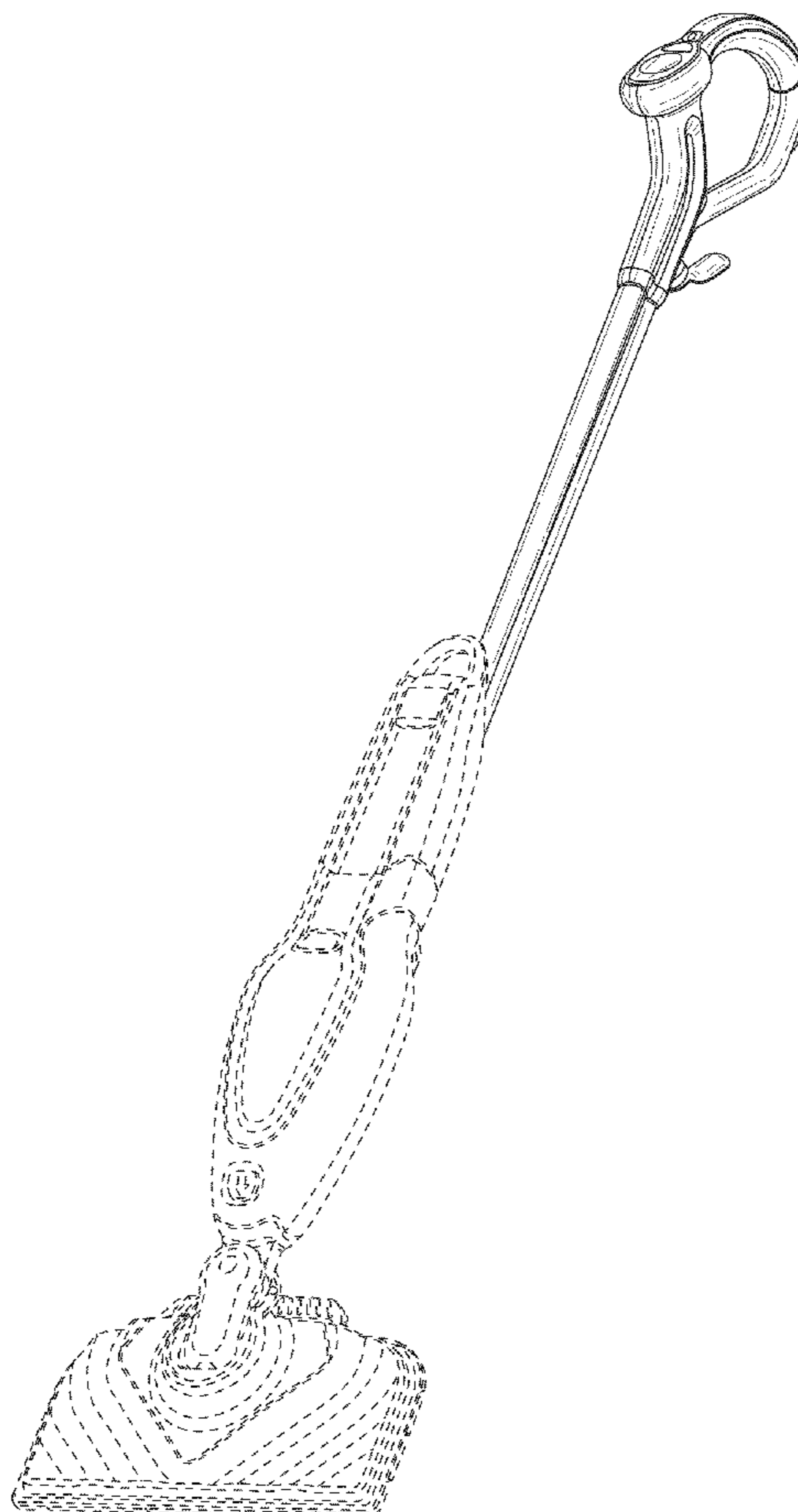
FIG. 5 is a rear view thereof;

FIG. 6 is a top plan view thereof; and,

FIG. 7 is a bottom plan view thereof.

In the above drawings the broken lines and the areas within the broken lines form no part of the claimed design.

**1 Claim, 4 Drawing Sheets**



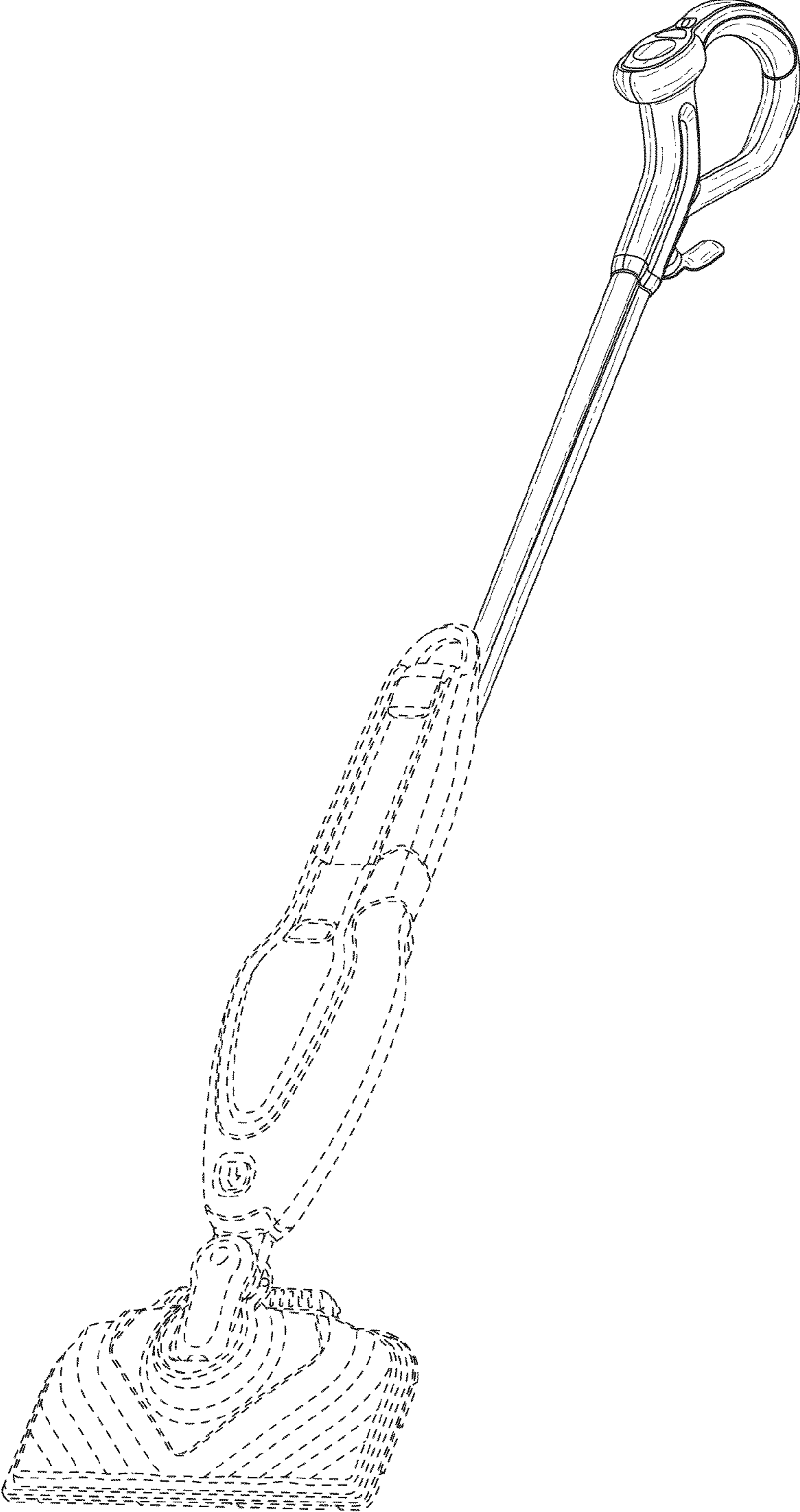


FIG. 1

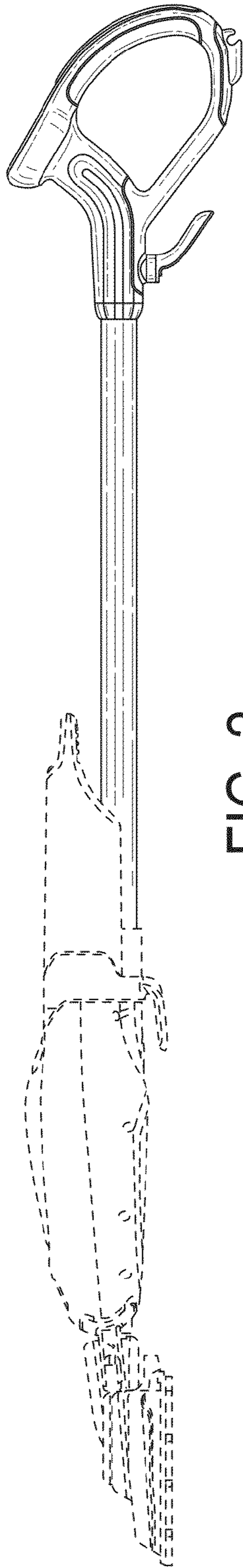


FIG. 2

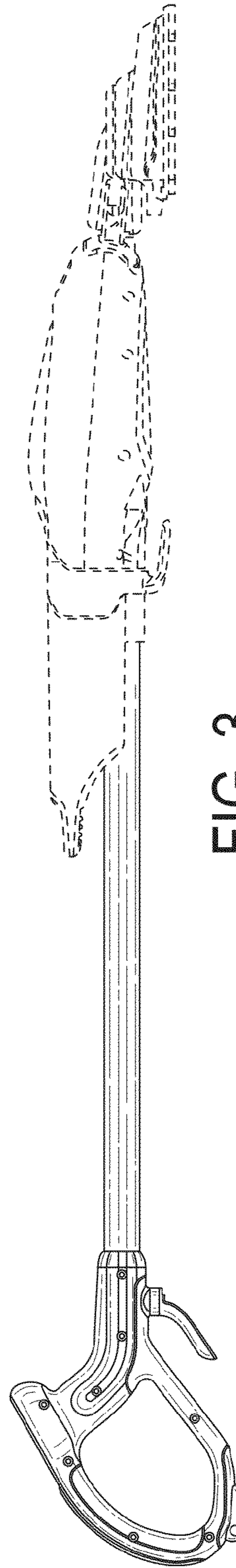


FIG. 3

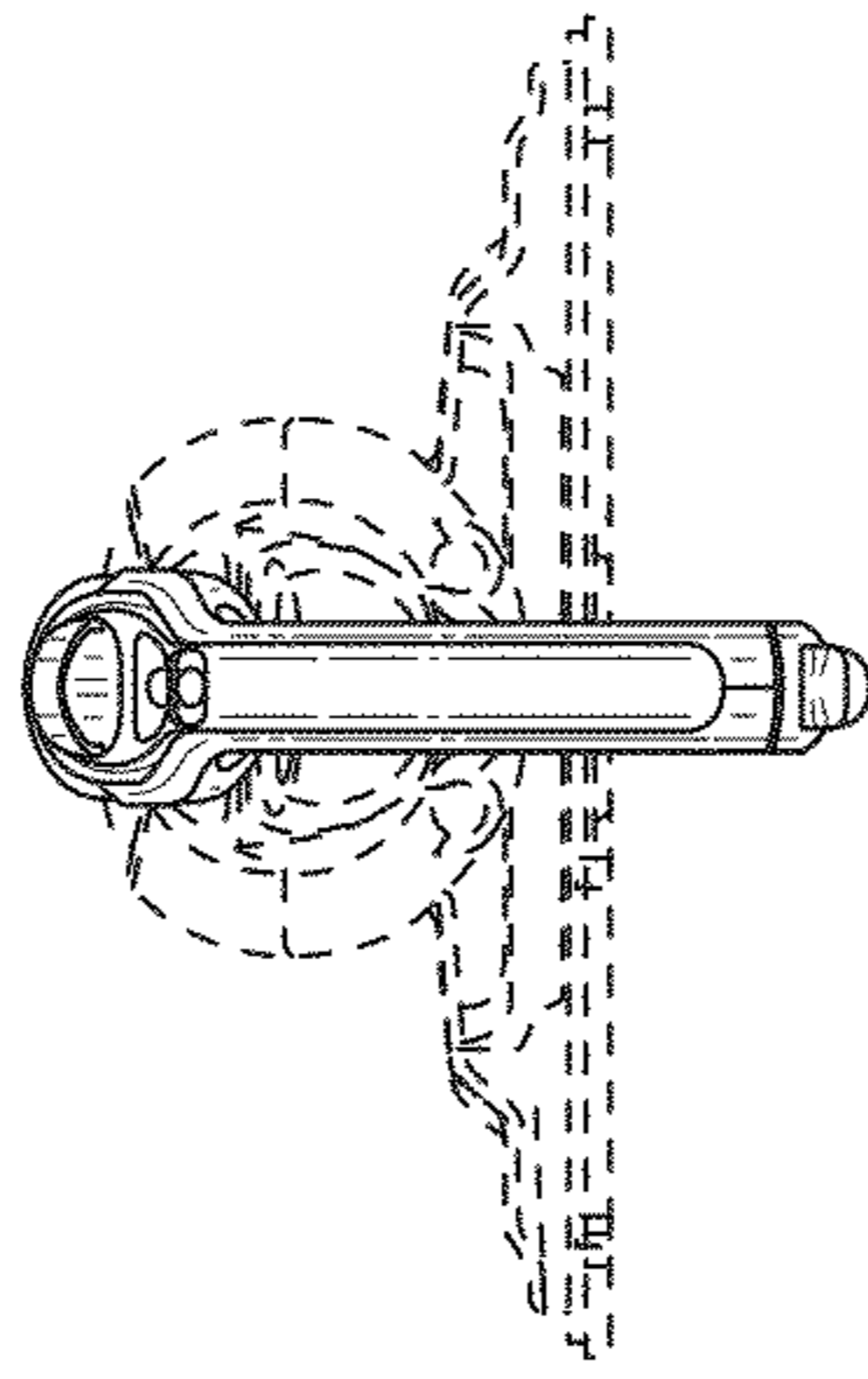


FIG. 5

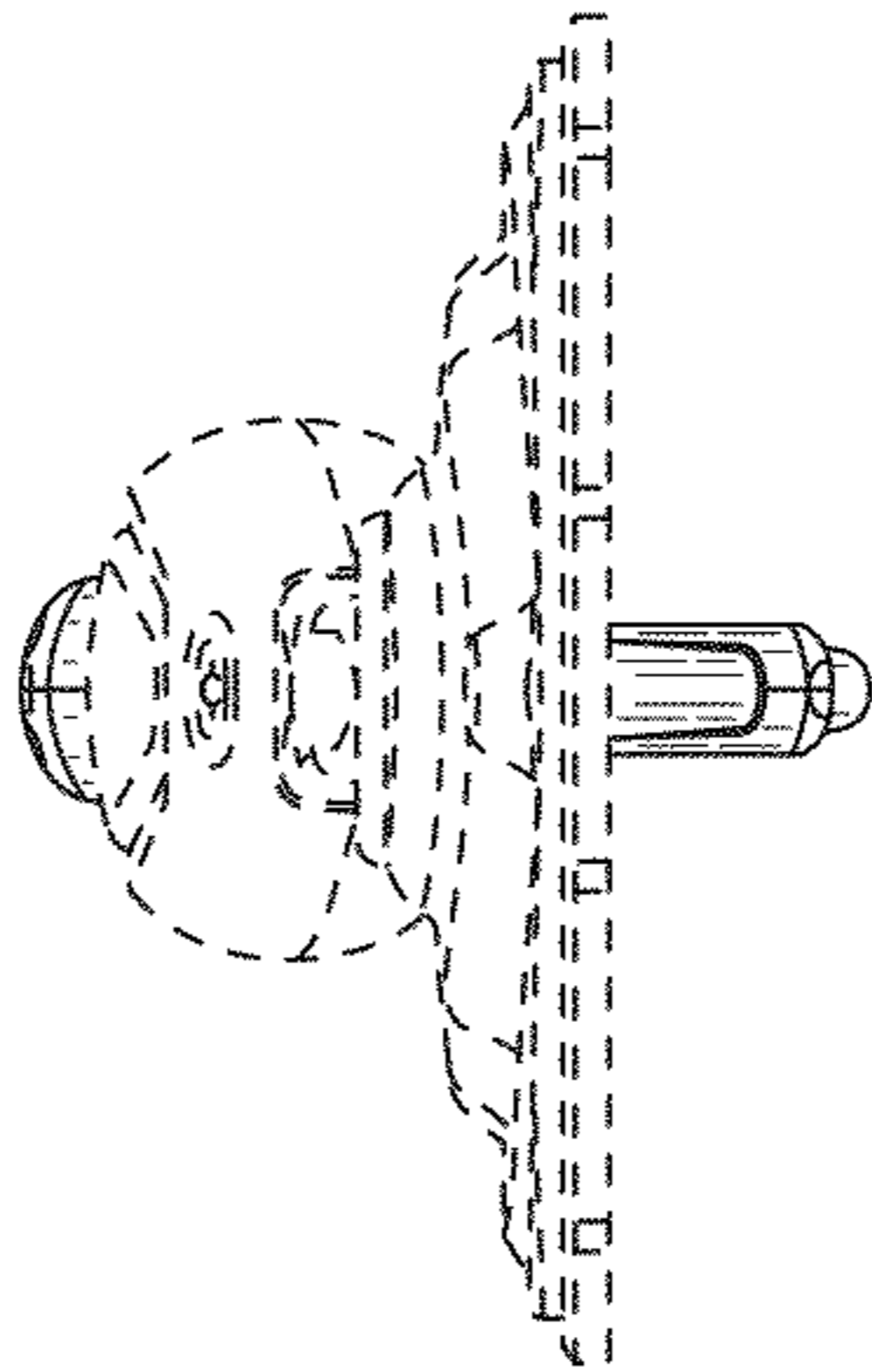


FIG. 4

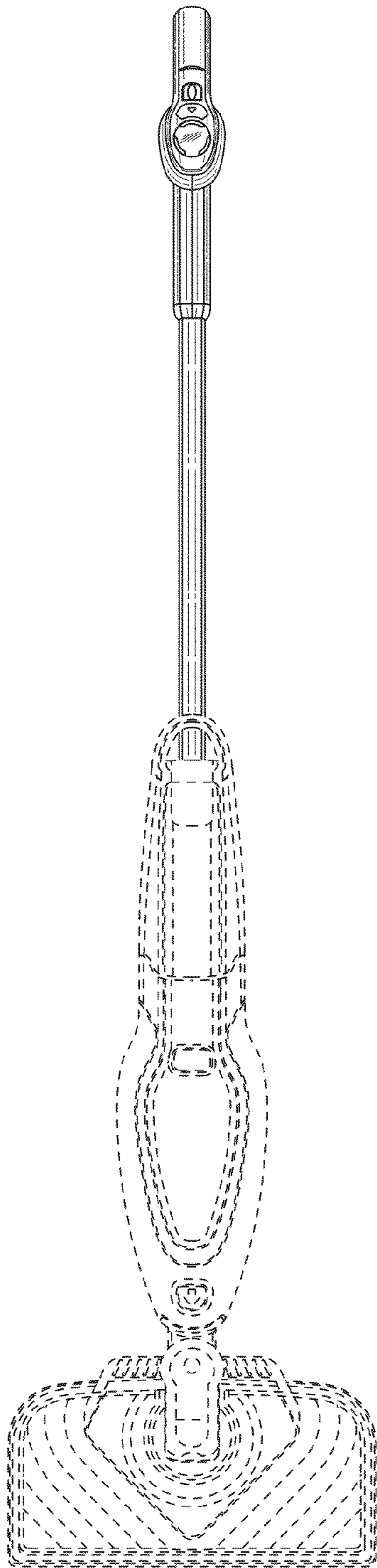


FIG. 6

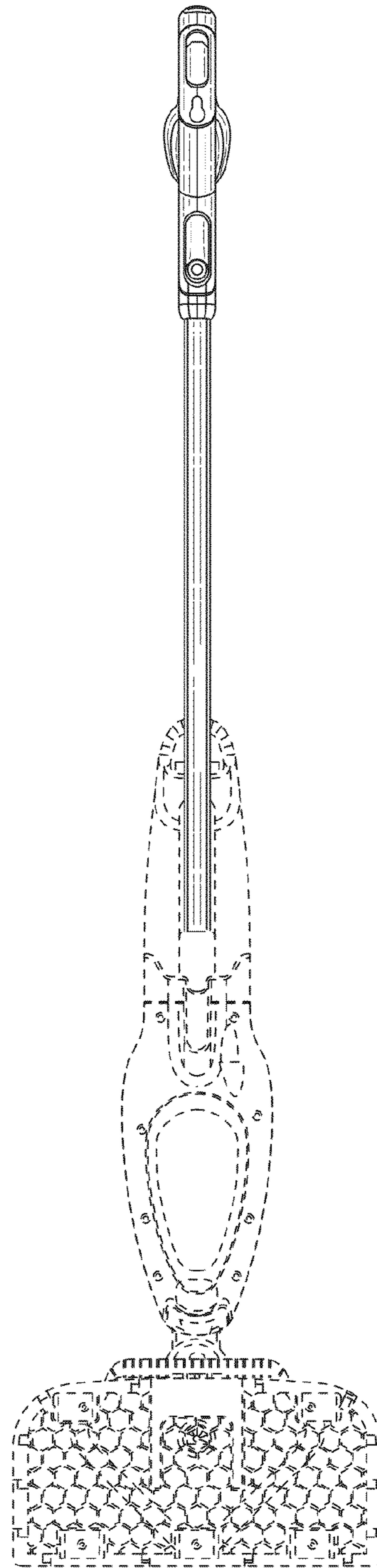


FIG. 7